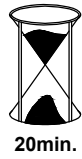
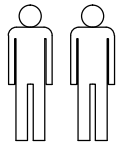
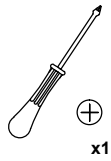


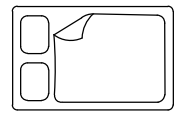
2019-02-21



20min.



x1



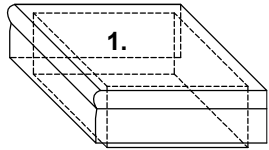
200 x 160 cm

±4 cm

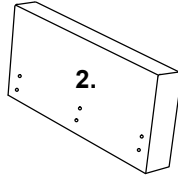
# HARRY



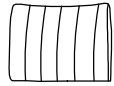
CODE 128



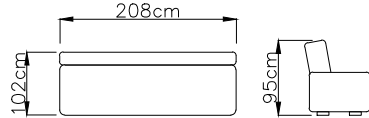
1.



2.



2x.

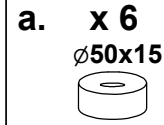


208cm

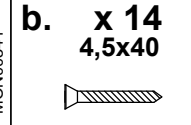
102cm

95cm

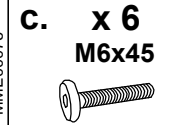
±2 cm



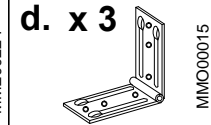
MON00341



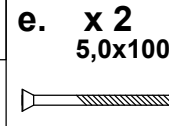
MME00076



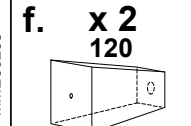
MME00024



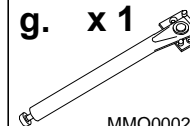
MMO00015



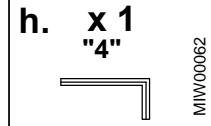
MME00268



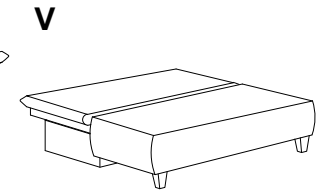
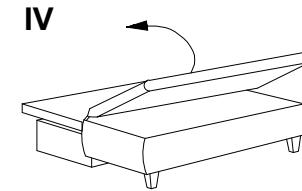
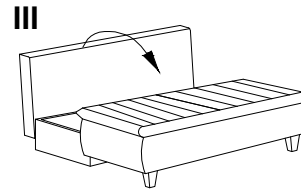
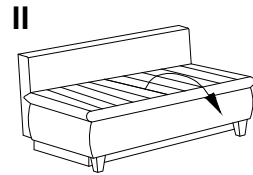
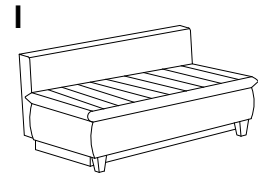
MON00799



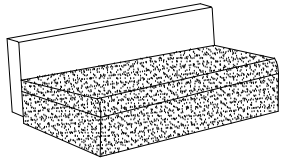
MMO00021



MIW00062



I

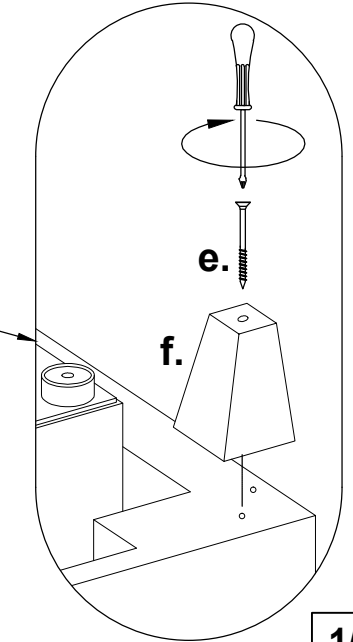
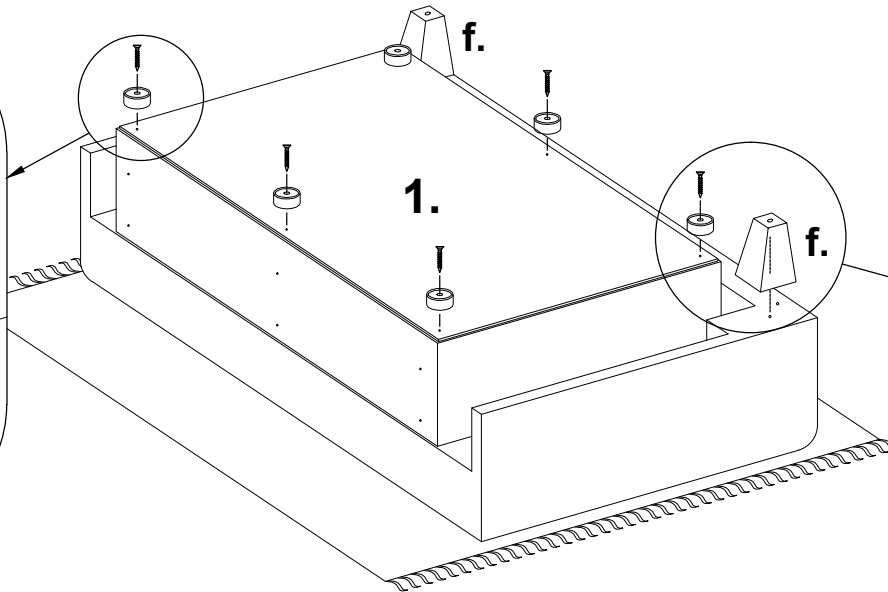
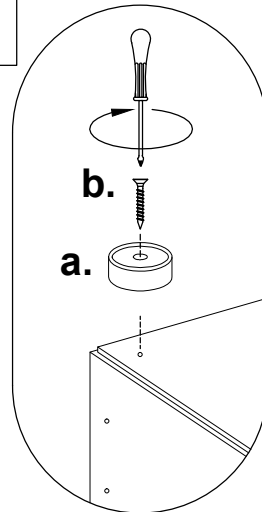
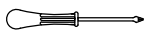


**a. x 6**

**b. x 6**

**f. x 2**

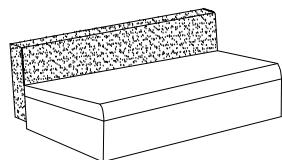
**e. x 2**



2019-02-21

# HARRY

II



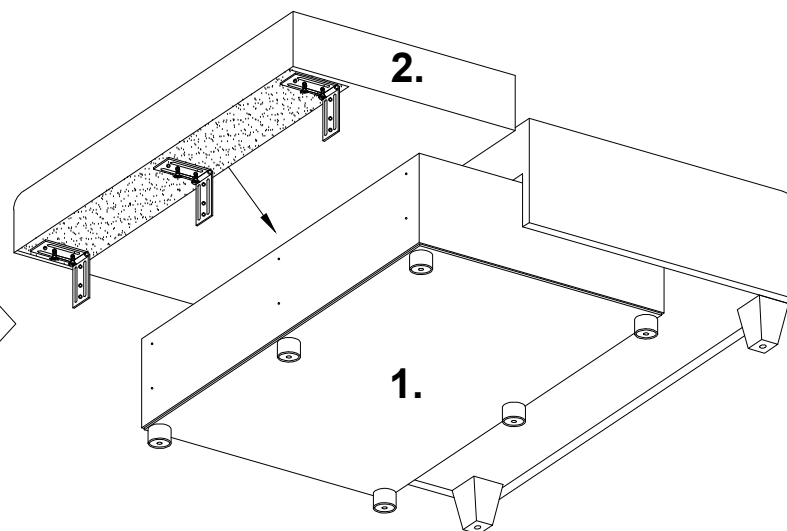
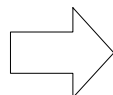
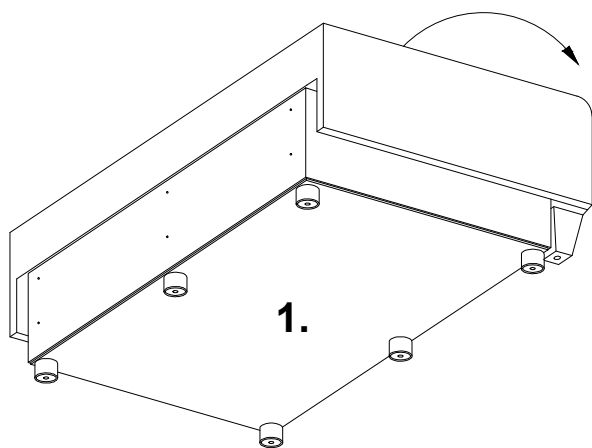
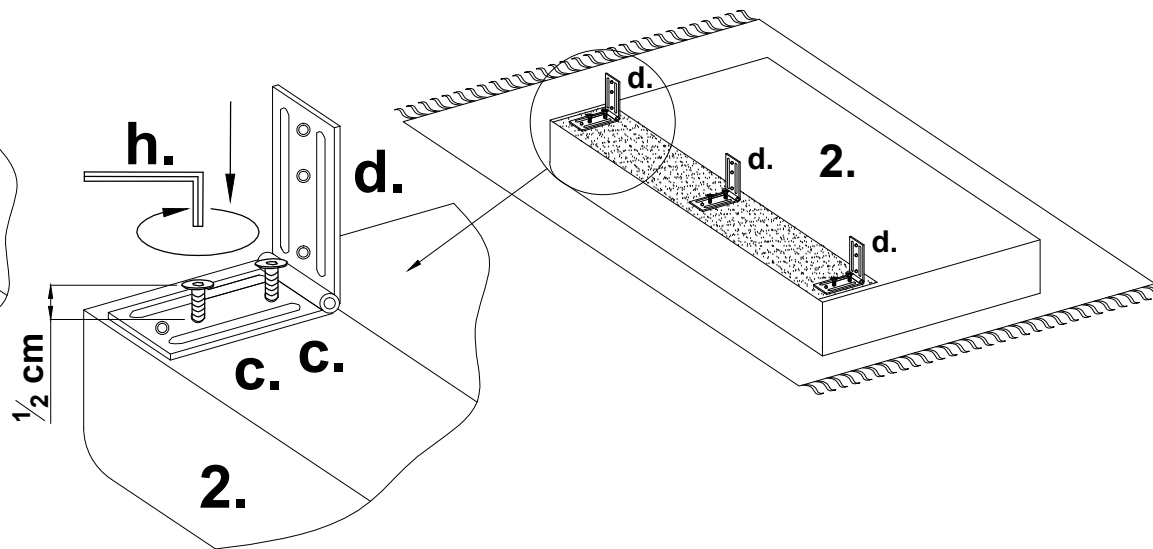
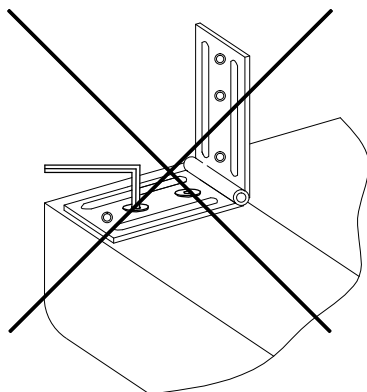
d. x 3



c. x 6 M6x45



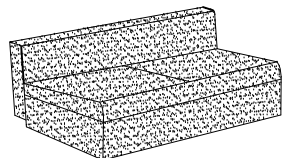
h. x 1 "4"



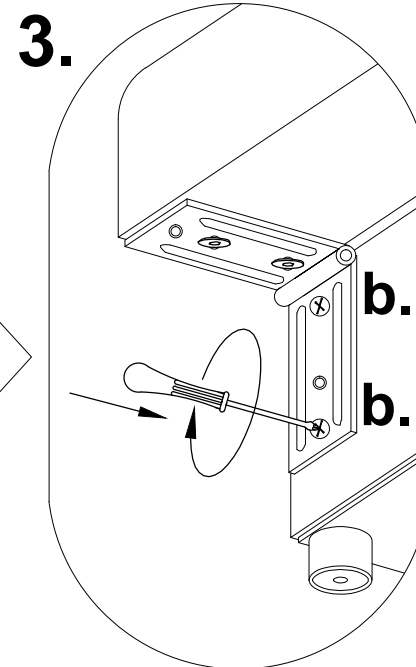
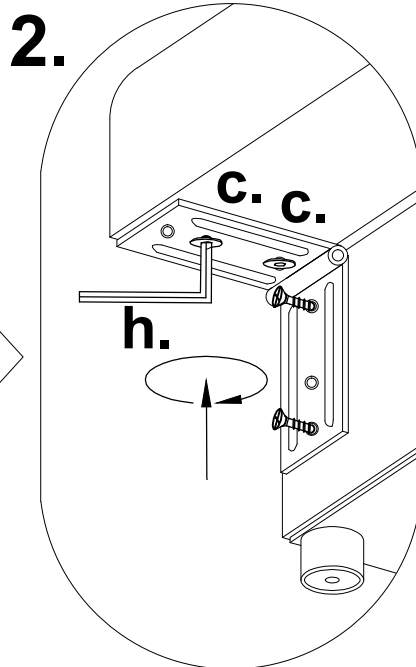
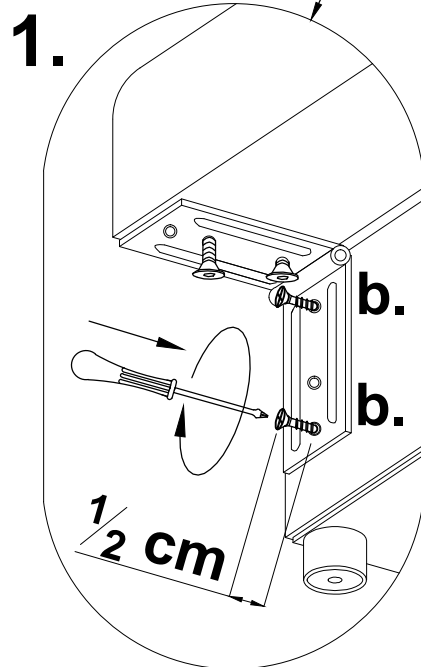
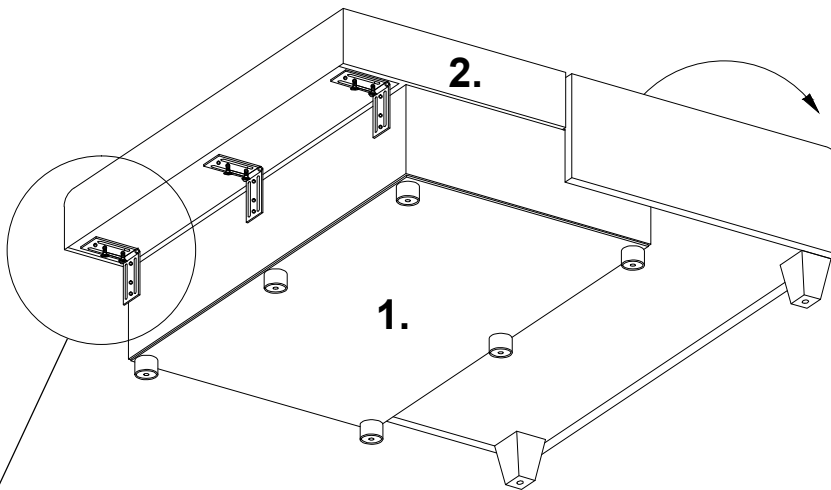
2019-02-21

# HARRY

III



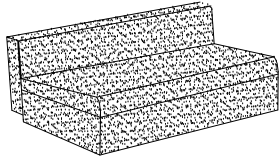
b. x 6  4,5x40

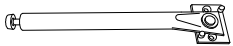



2019-02-21

# HARRY

IV

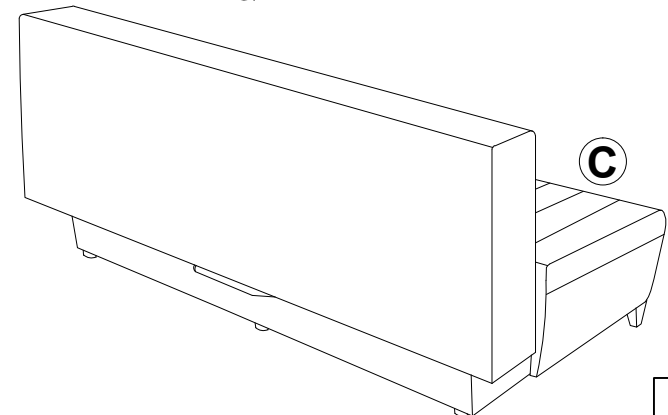
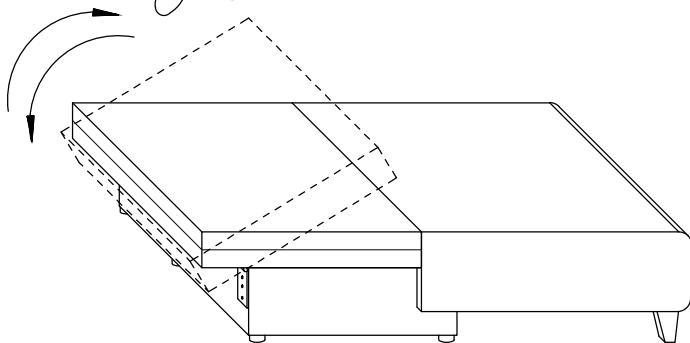
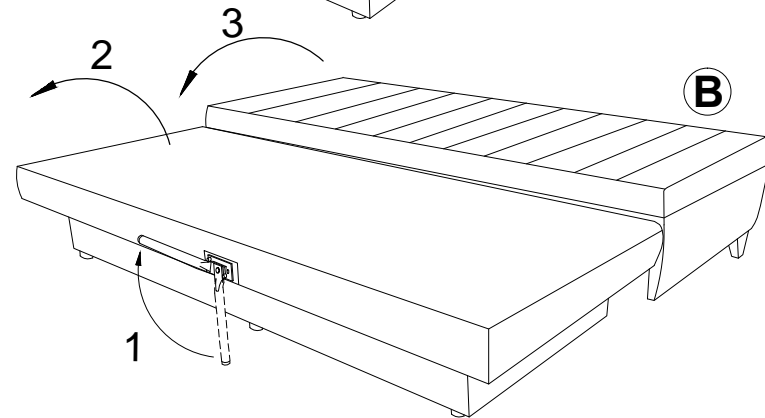
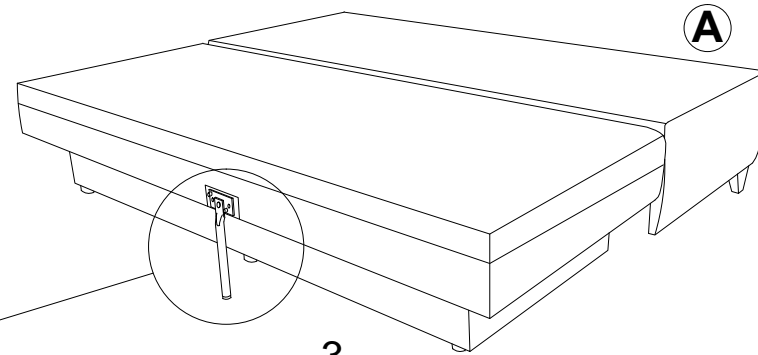
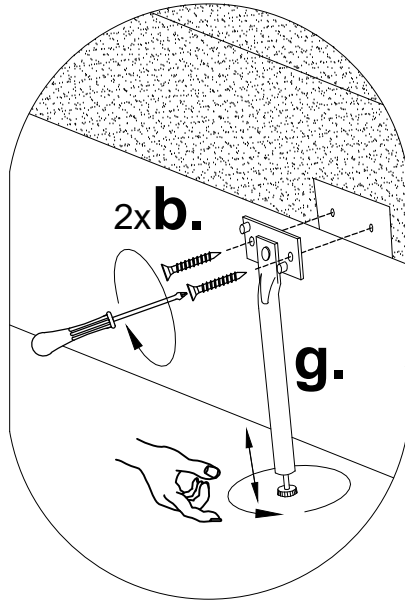


g. x 1 

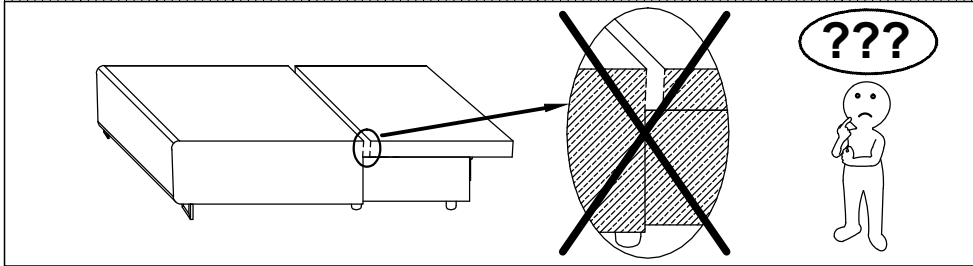
b. x 2  4,5x40



???



0 10 20 30 40 50 60 70 80 90 100 110 120



130 140 150 160 170 180 190 200 mm

