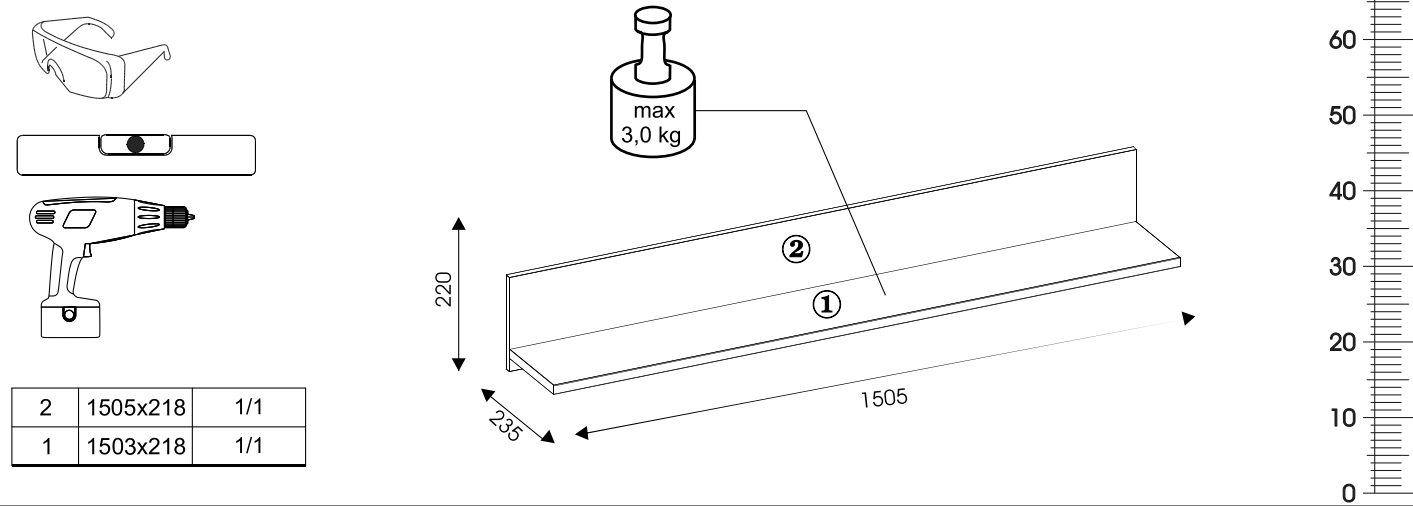
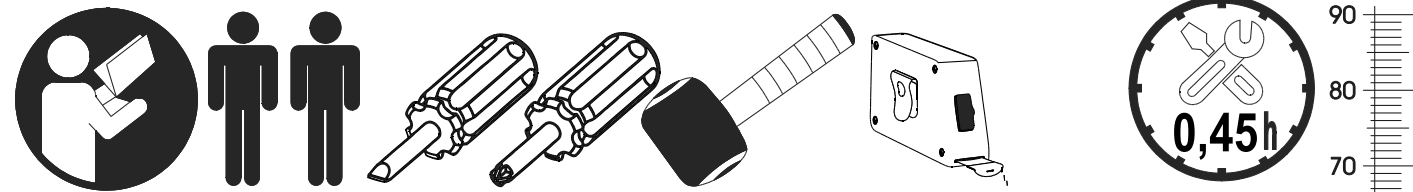
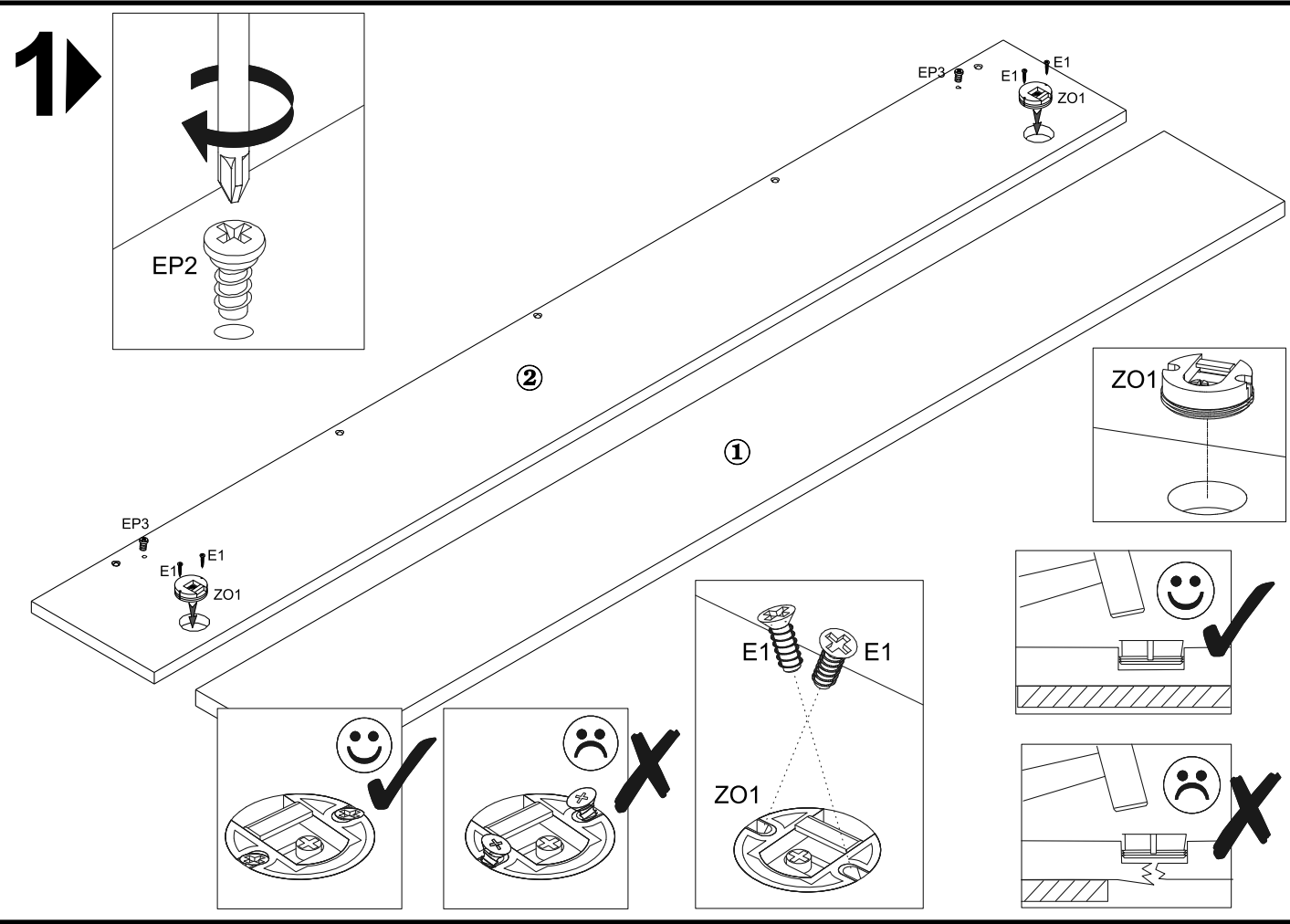


# MODELL: PR8

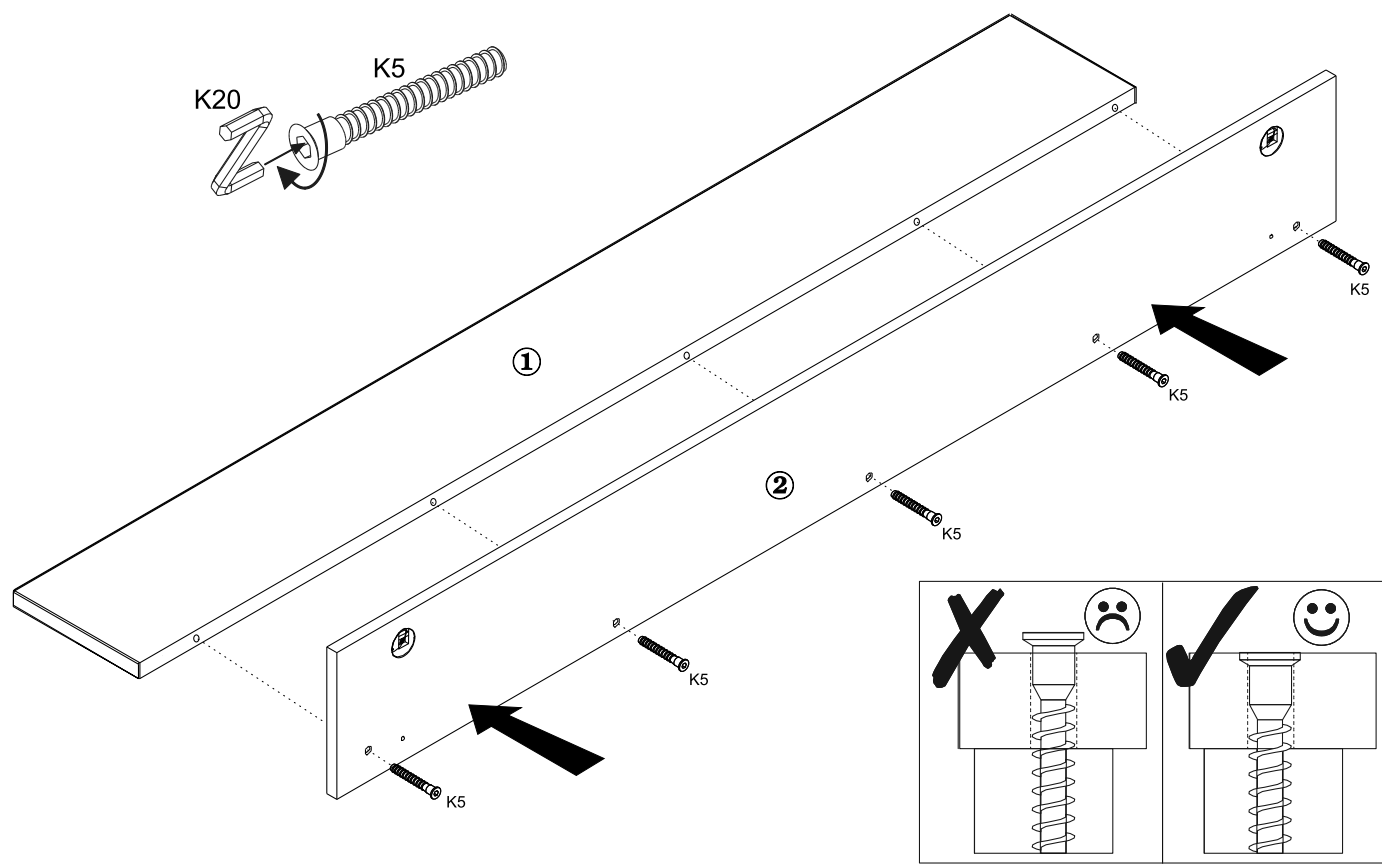


2	1505x218	1/1
1	1503x218	1/1



5x60 2x W26	10x50 2x D1	5x11 4x E1	2x ZO1	6,3x13 2x EP2	6,4x50 5x K5	1x K20
----------------	----------------	---------------	--------	------------------	-----------------	--------

2



3

