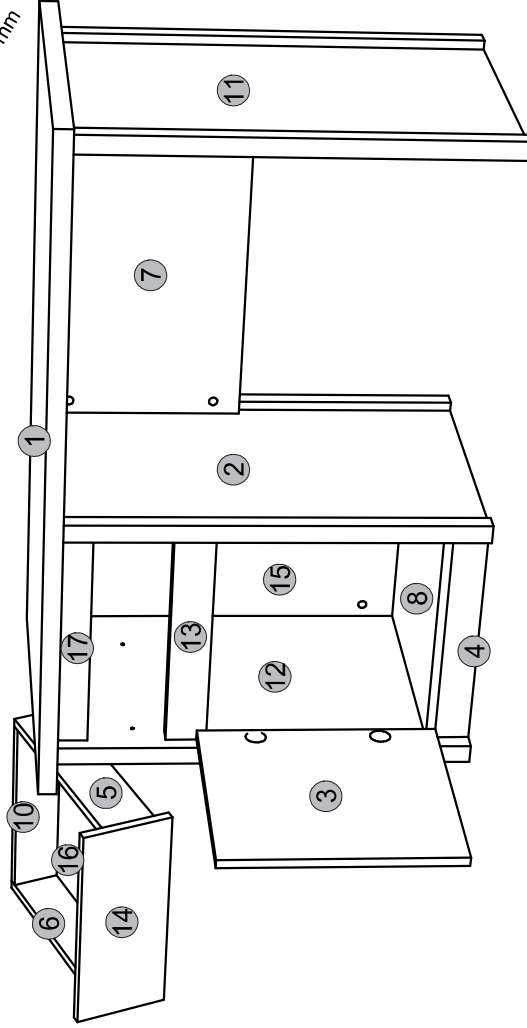
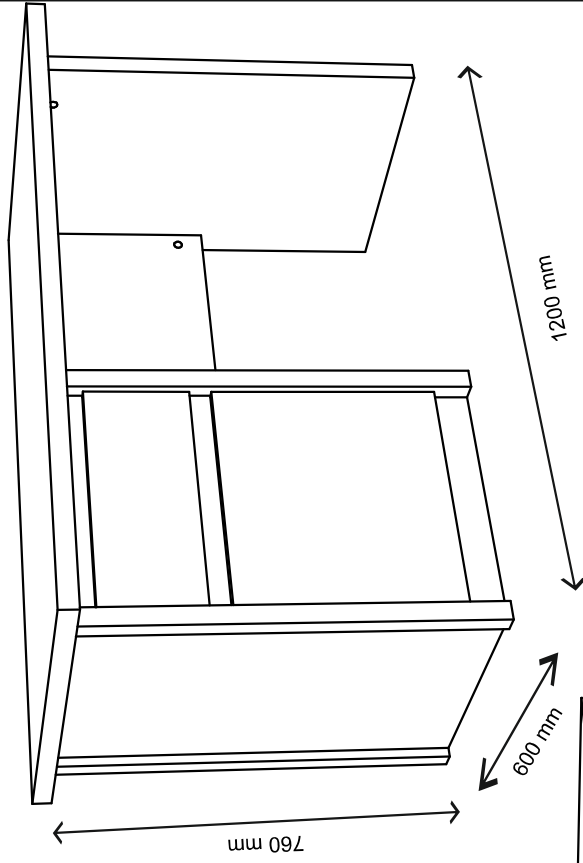
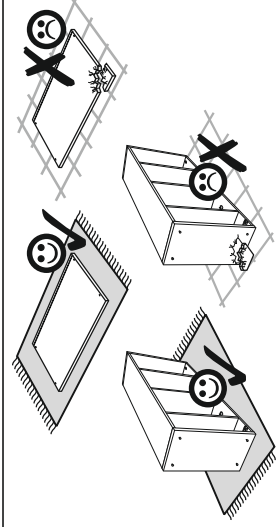
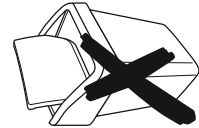
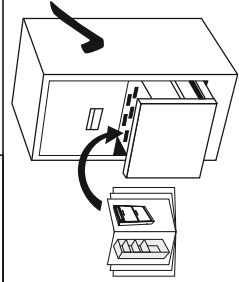
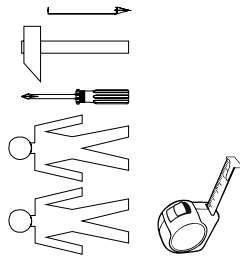
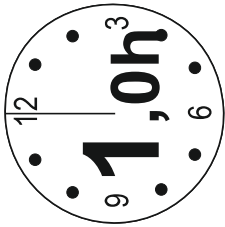
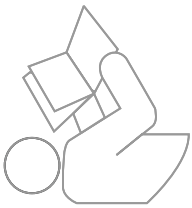


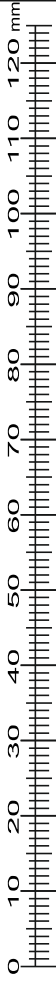
Installation manual

NORTON: BIU_1D1S_120

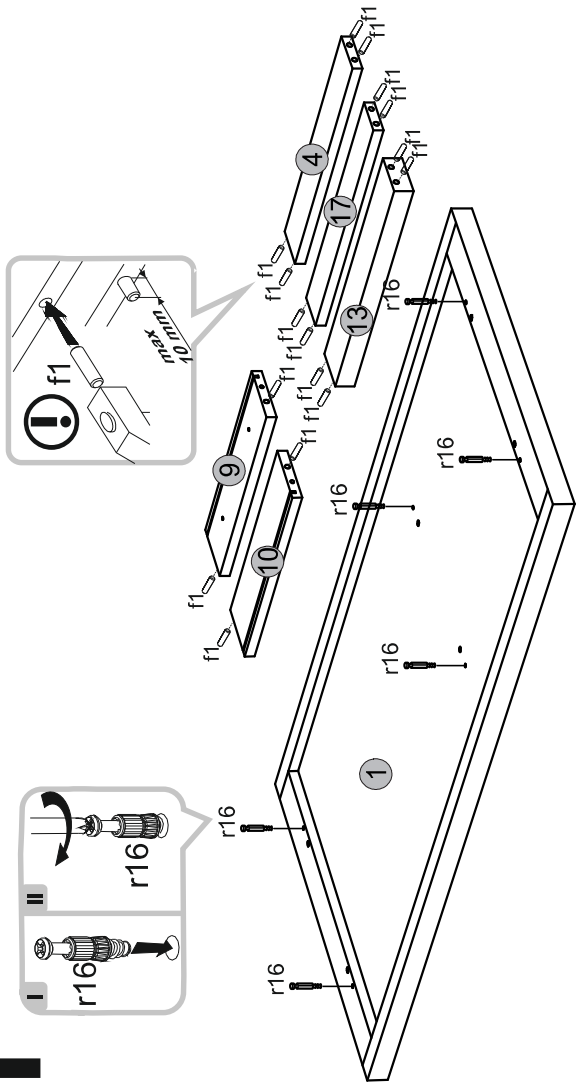


Element symbol	Dimensions	Code	Package
1	1200 600 16/32	K-203	1/1
2	734 500 16/32	K-109	1/1
3	416 394 16	K-001	1/1
4	400 60 16	K-402	2/2
5	400 100 16	K-501	1/1
6	400 100 16	K-502	1/1
7	350 664 16	K-110	1/1
8	400 428 16	K-306	1/1
9	343 100 16	K-503	1/1
10	343 100 16	K-504	1/1
11	718 500 16/32	K-111	1/1
12	718 500 16/32	K-112	1/1
13	70 400 30	K-403	1/1
14	170 394 16	K-002	2/2
15	674 400 16	K-128	1/1
16	367 382 3	K-604	1/1
17	400 70 16	K-440	1/1

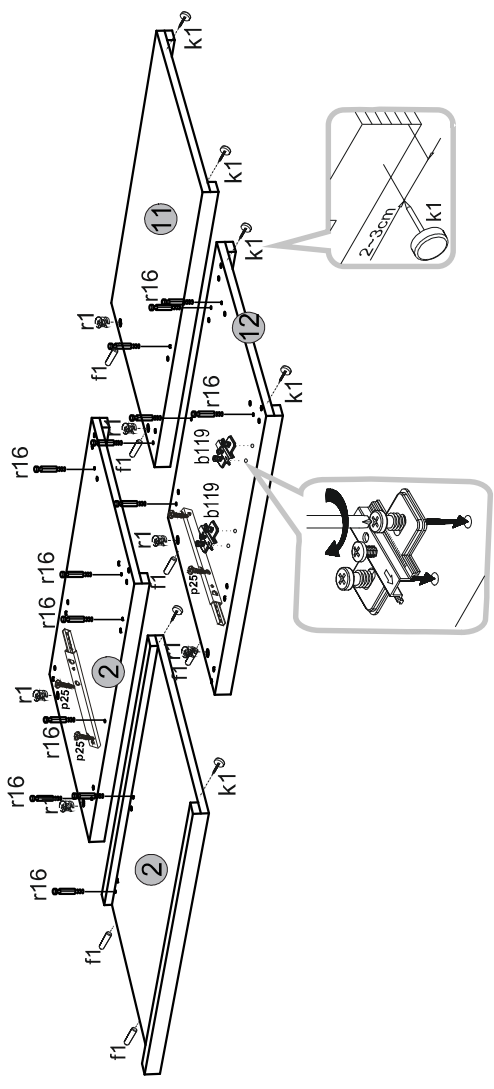
6x	k1	20x	20x	20x	18x	1x	z1
20x	ø15x2mm 3/16	r1	r16	L 40mm	ø3.5x6 mm	p25	38x
20x	ø15x2mm 3/16	2x	2x	2x	4x	e1	ø3x20 mm
4x	s1	ø16	ø143	b119	4x	p21	ø1.5x6 mm
20x	s2	ø16	ø143	b119	2x	p21	ø1.5x6 mm



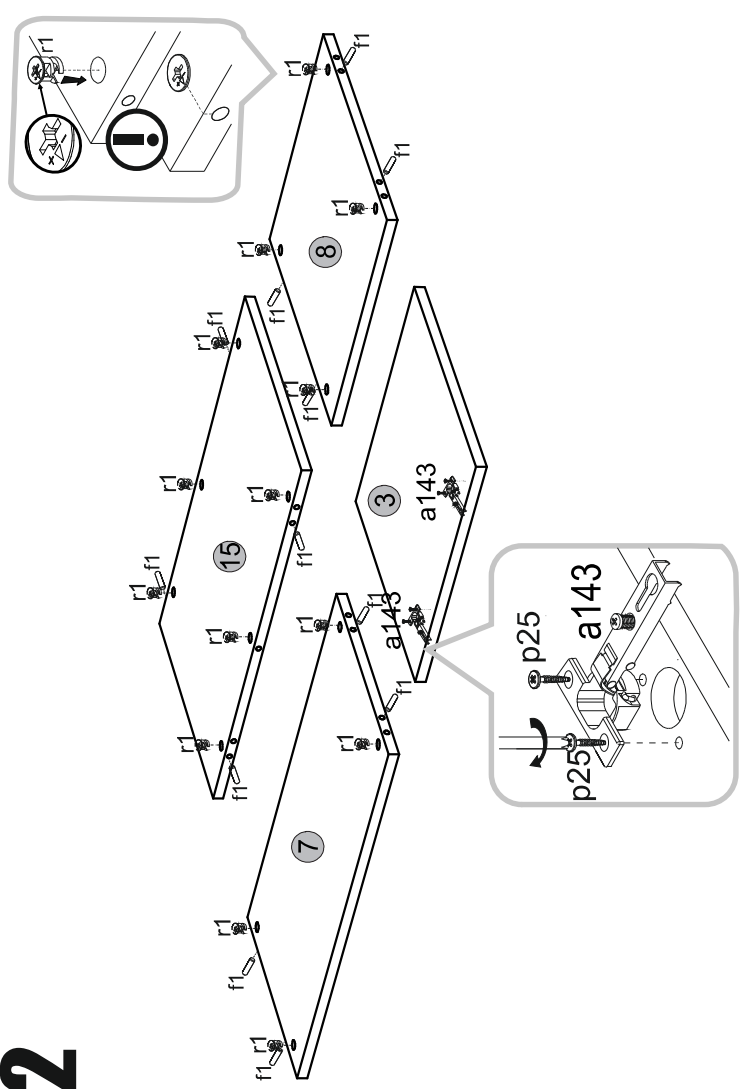
1



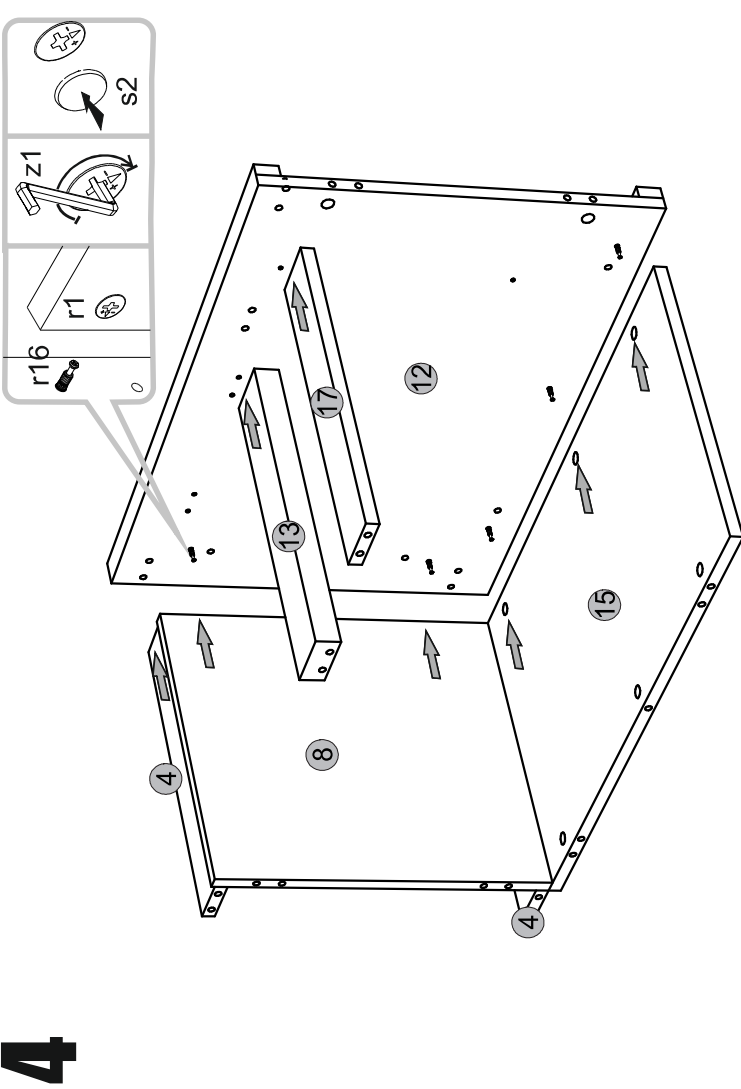
3



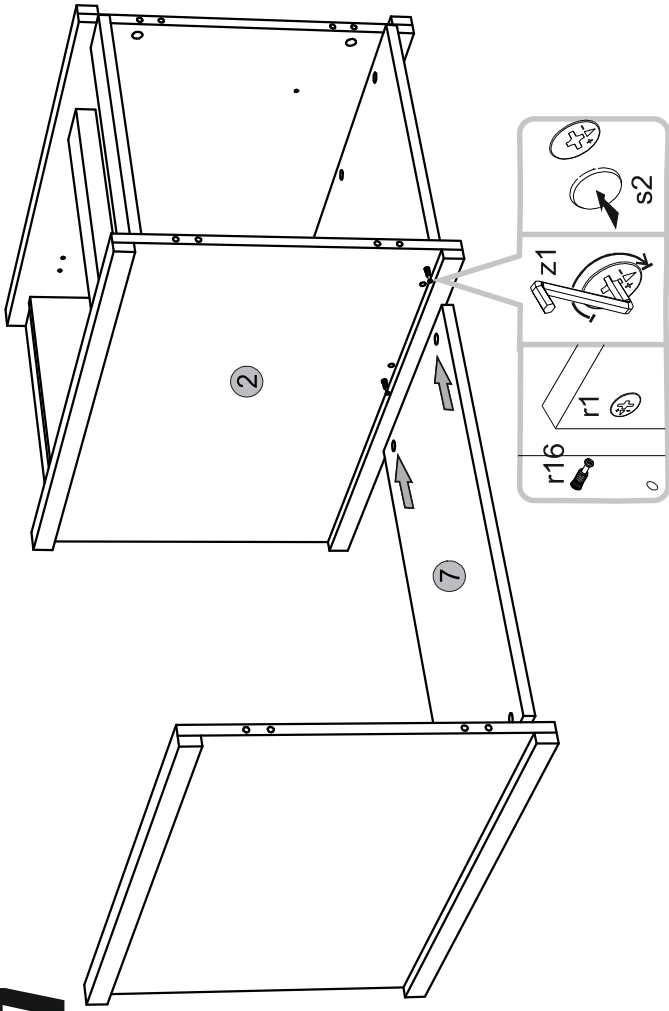
2



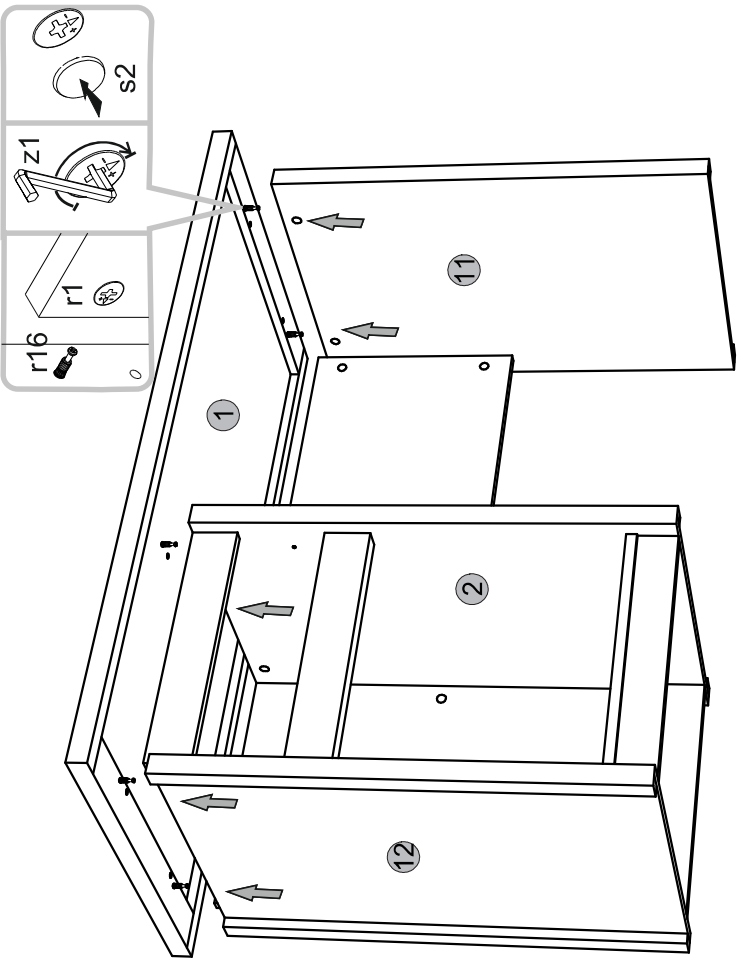
4



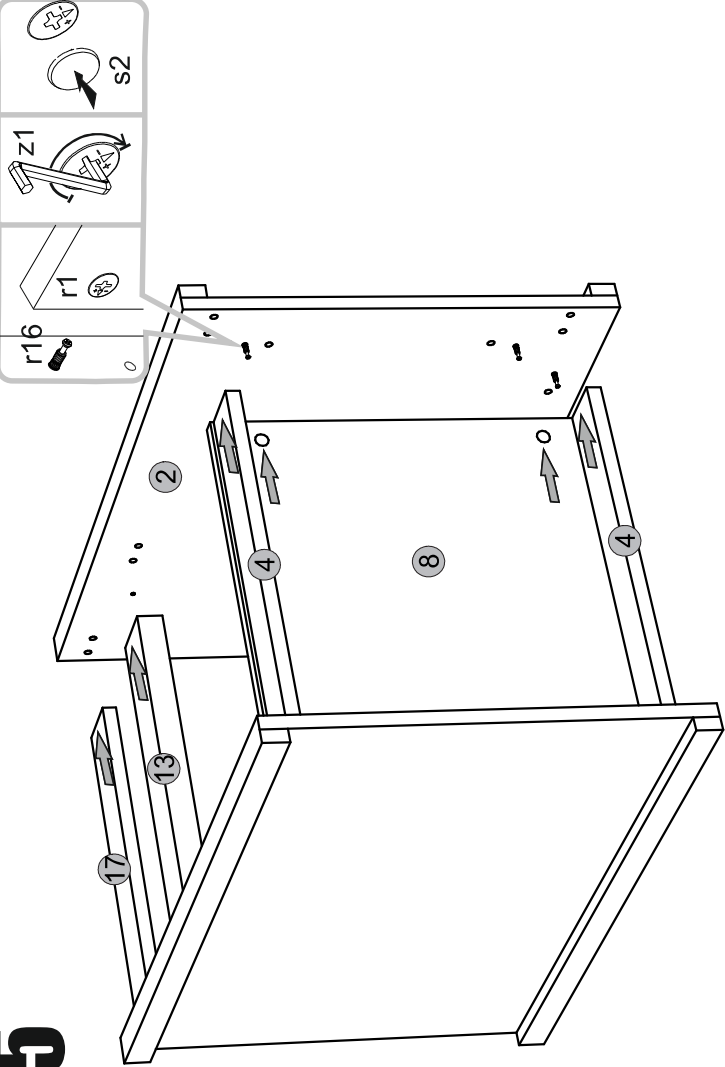
7



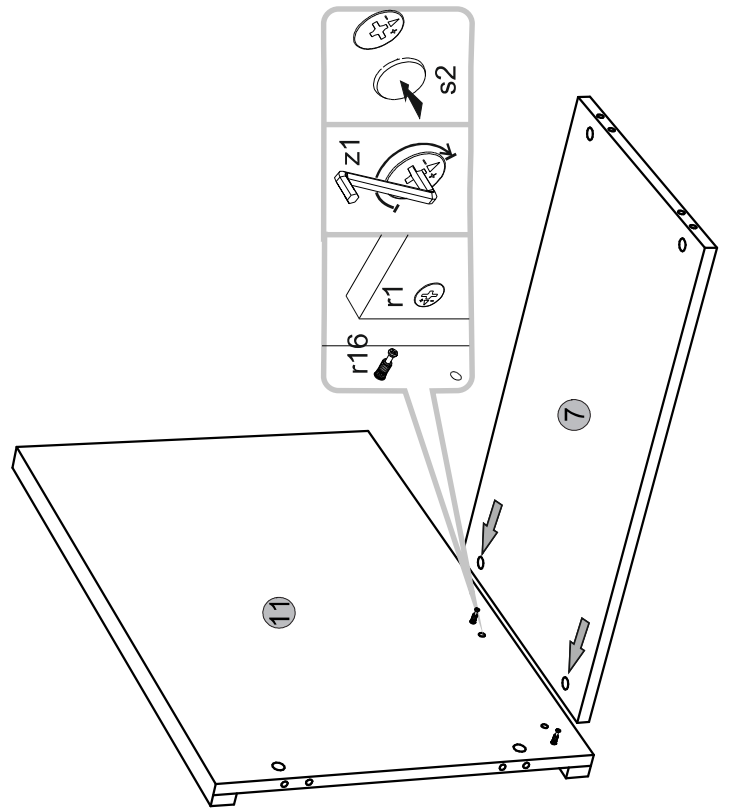
8



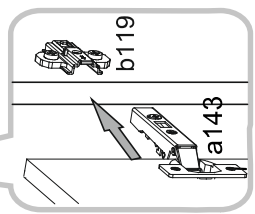
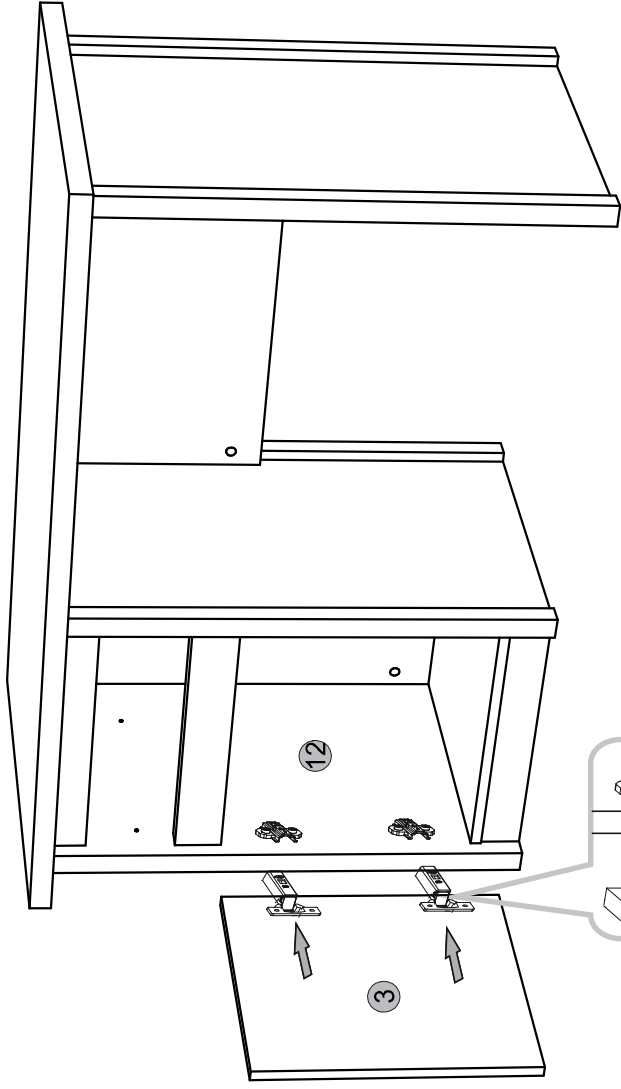
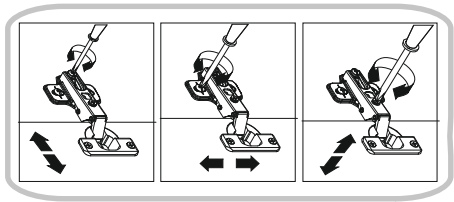
5



6



9



10

