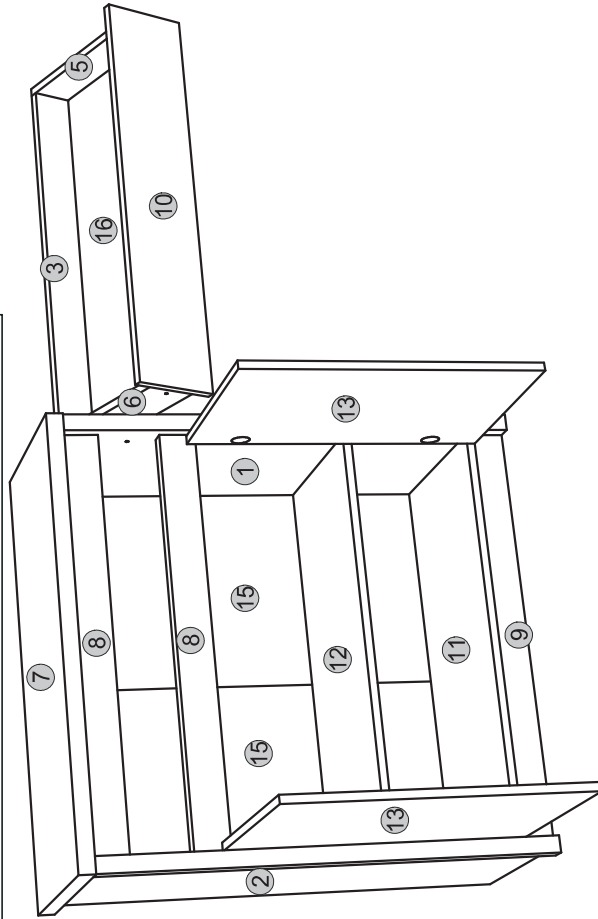
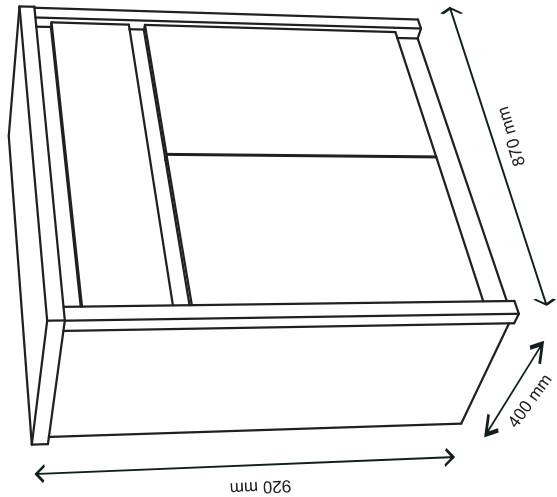
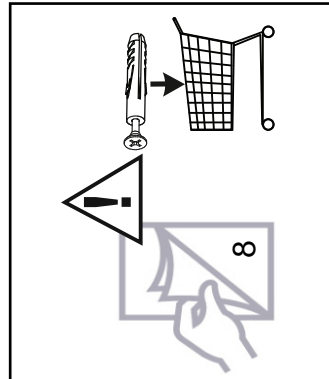
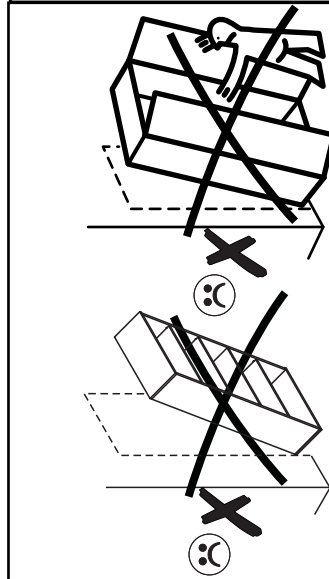
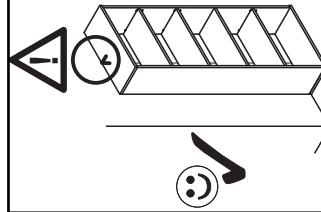
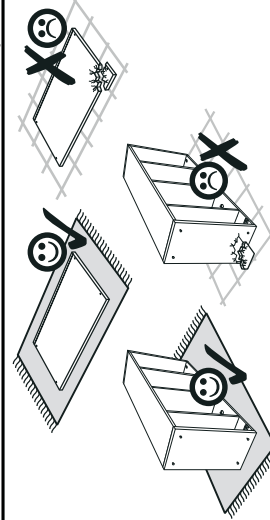
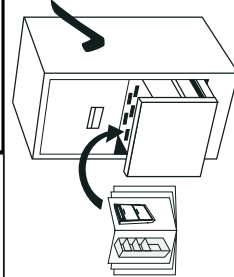
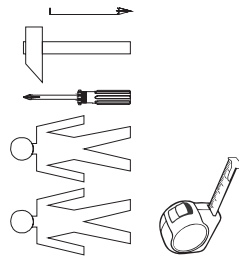
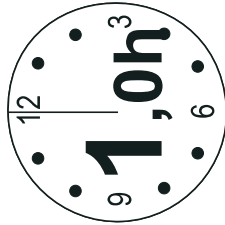
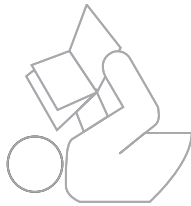


Instalation manual

NORTON: KOM_2D1S

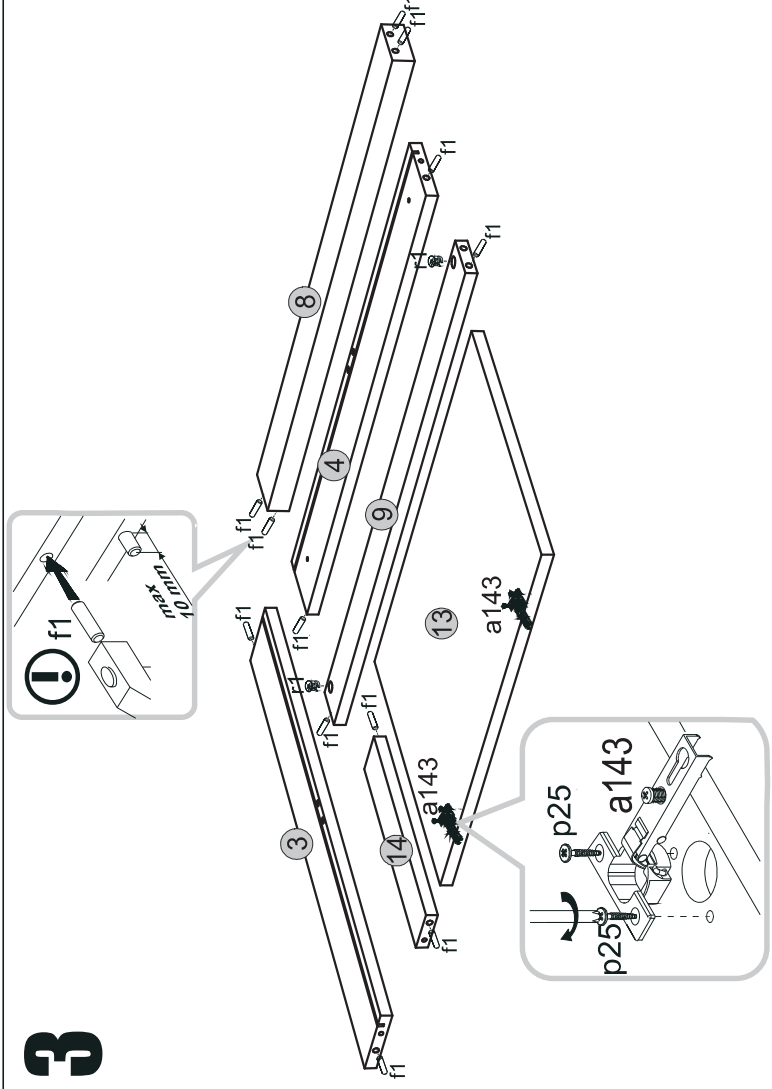


Element symbol	Dimensions	Code	Package
1	884	K-113	1/1
2	884	K-114	1/1
3	747	K-505	1/1
4	747	K-506	1/1
5	350	K-507	1/1
6	350	K-508	1/1
7	870	K-204	1/1
8	804	K-404	1/1
9	804	K-405	1/1
10	170	K-003	2/2
11	804	K-307	1/1
12	804	K-308	1/1
13	582	K-004	2/2
14	318	K-406	1/1
15	849	K-605	1/1
16	761	K-606	1/1

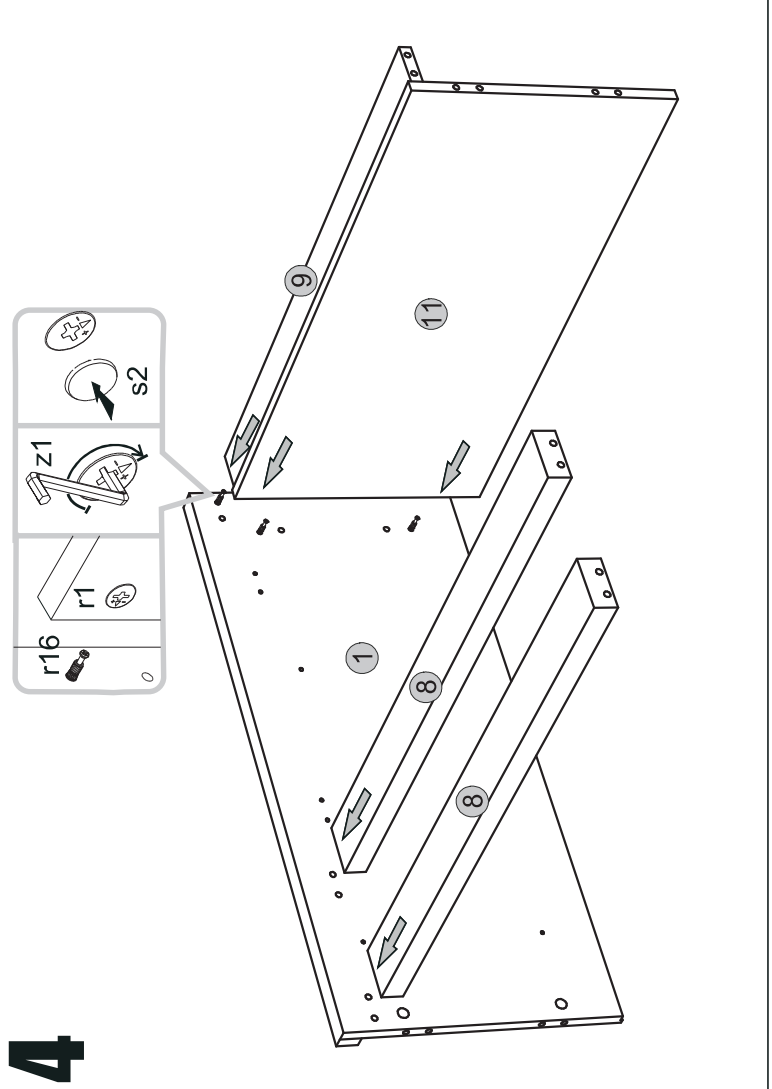
1x	n14	4x	b119	10x	r1	10x	r16	10x	s2	1x	z1
24x	f1	4x	dl43	60x	l1	6x	s1	1x	L	4x	dt
2x	p21	4x	dl43	60x	l1	6x	s1	1x	L	4x	dt
22x	p25	4x	dl43	60x	l1	6x	s1	1x	L	4x	dt



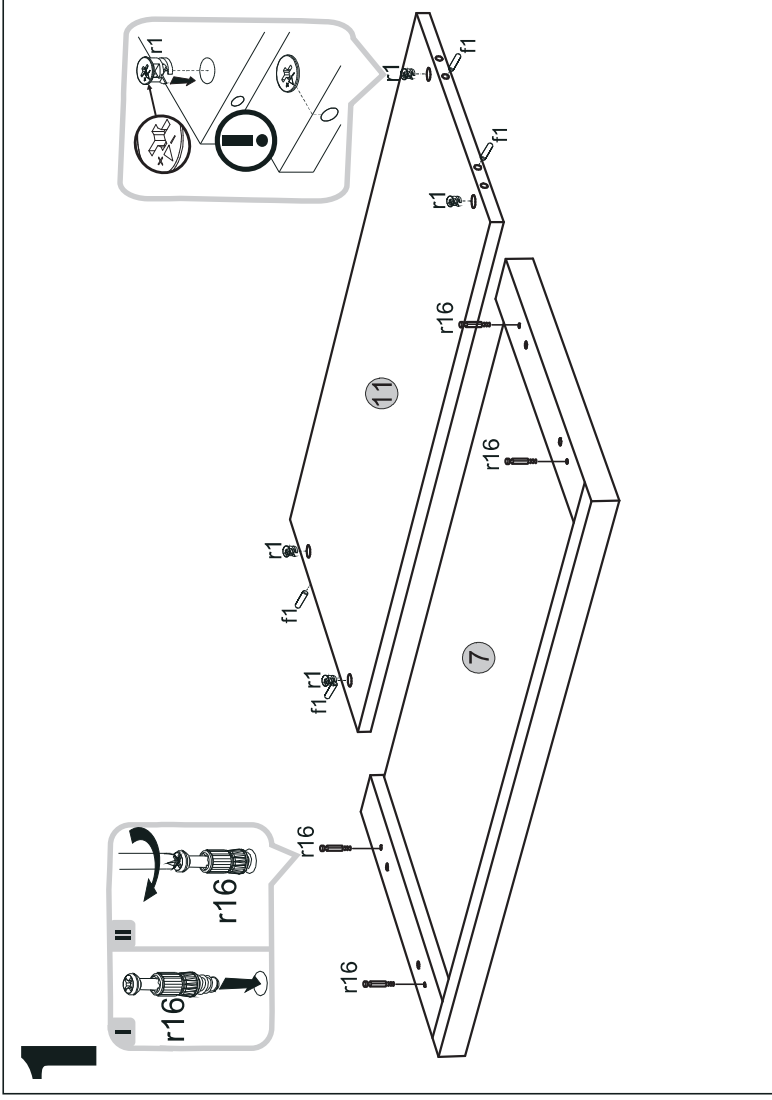
3



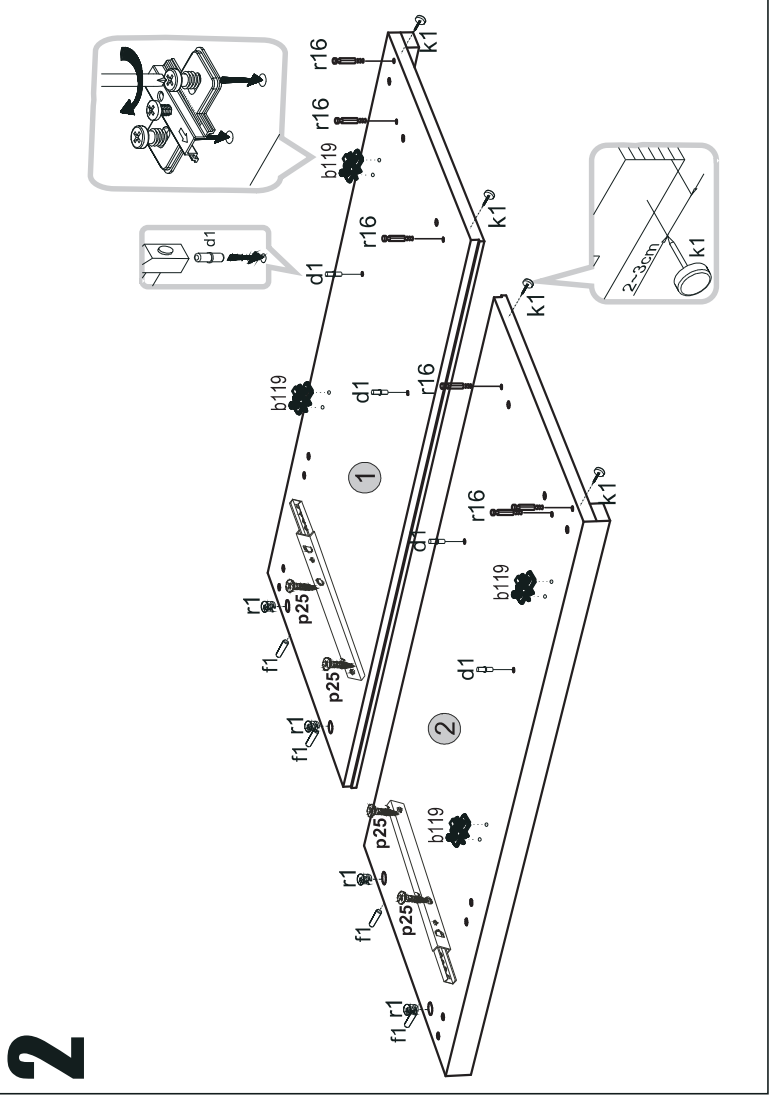
4



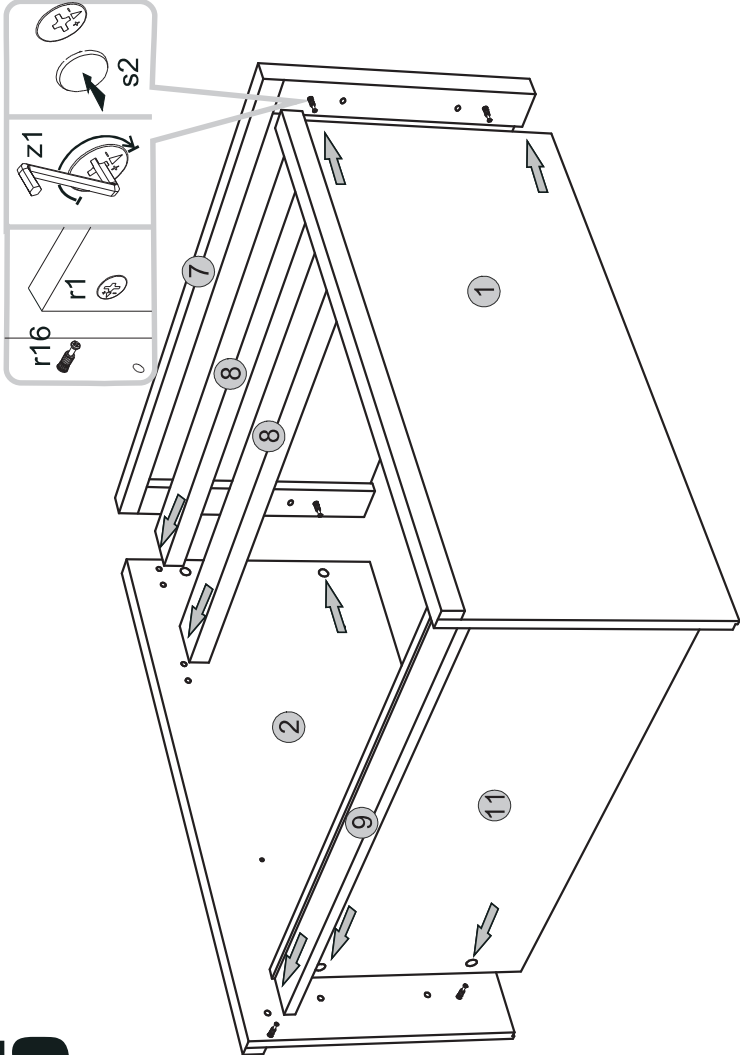
1



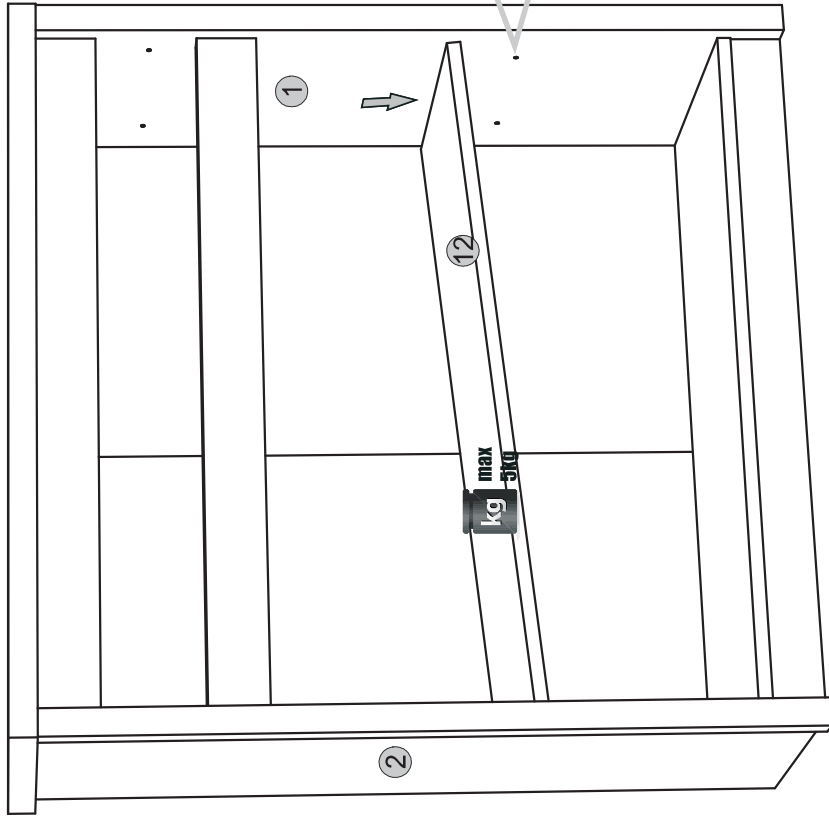
2



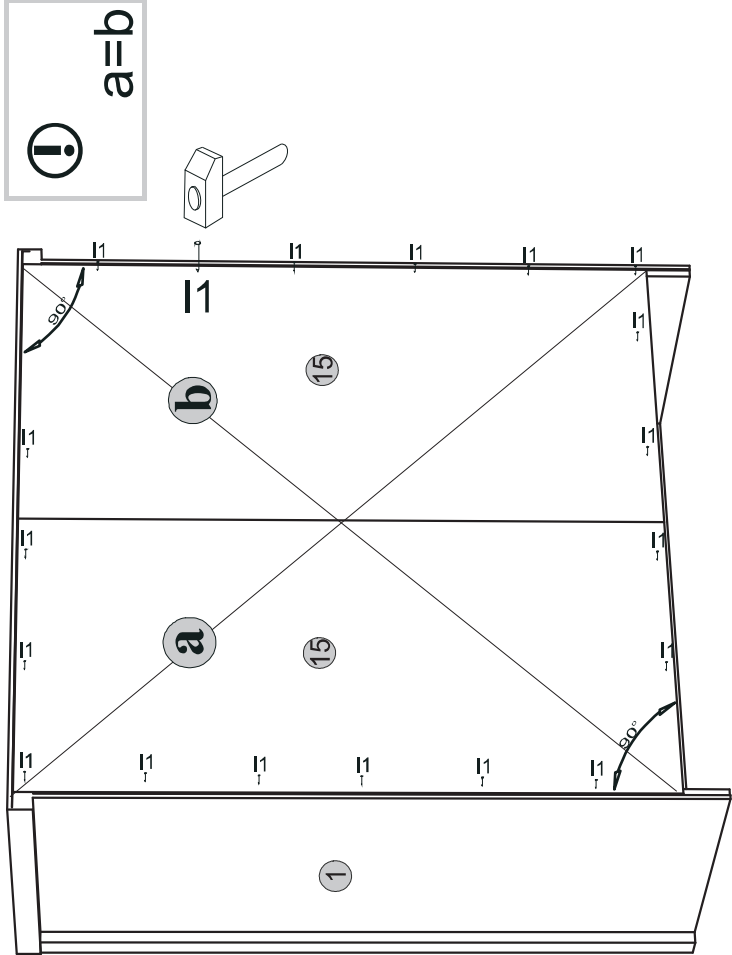
5



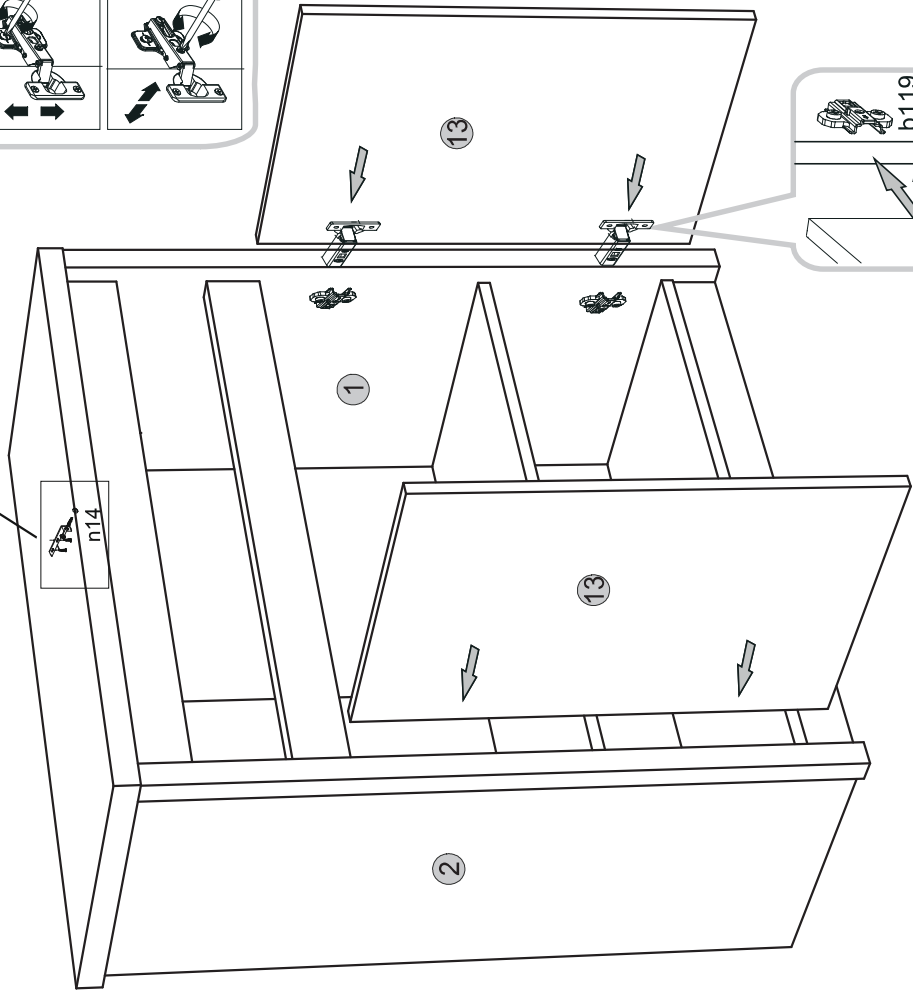
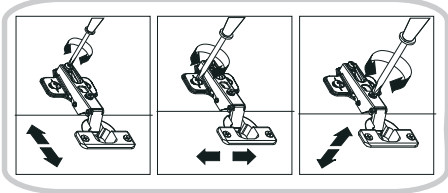
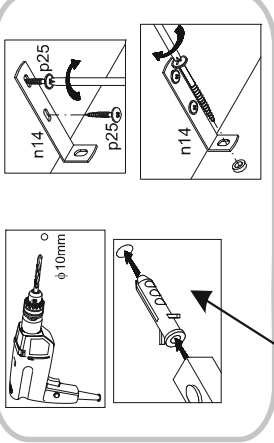
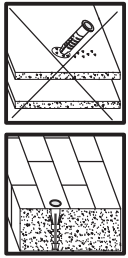
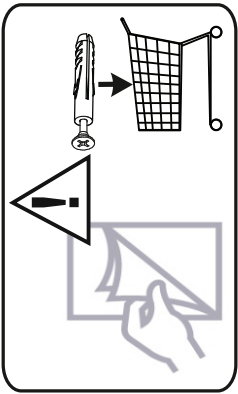
7



6



8



9

