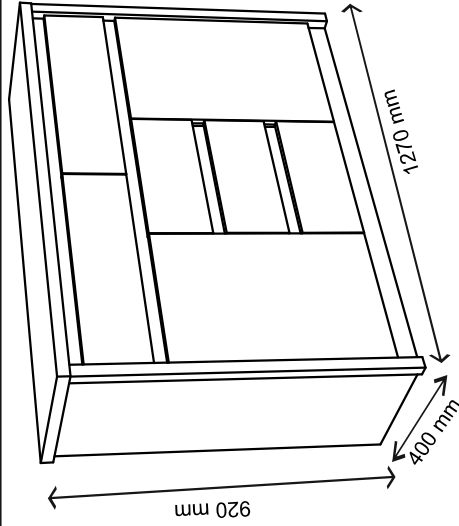
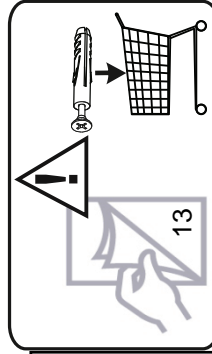
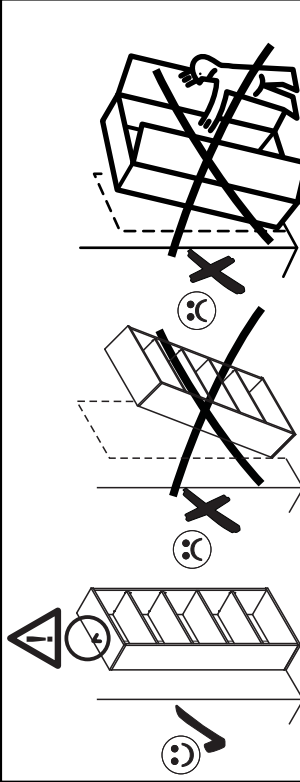
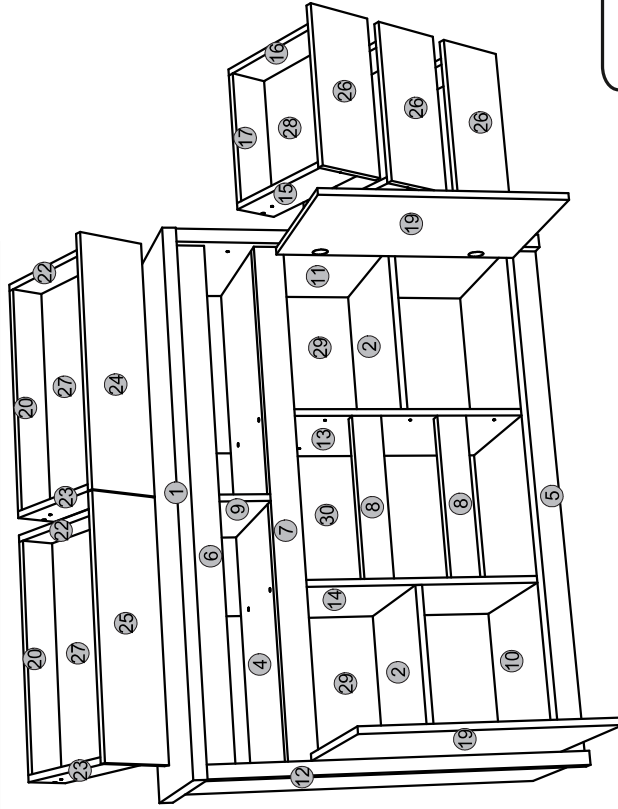
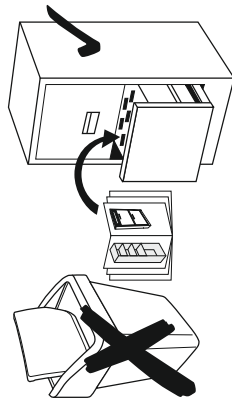
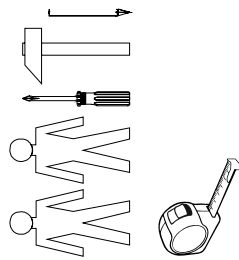
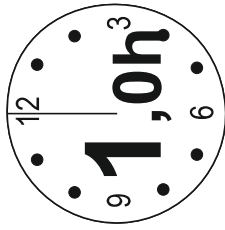
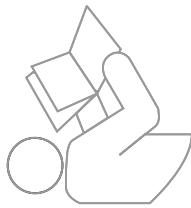
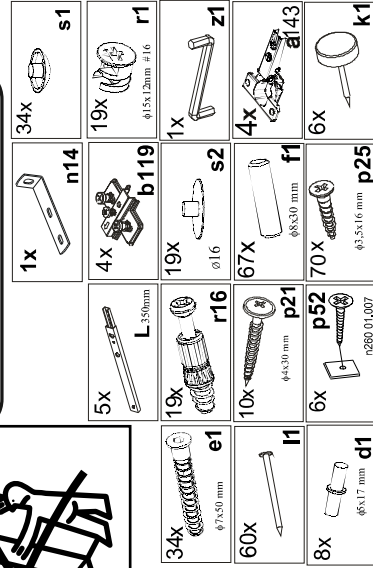


# Instalation manual

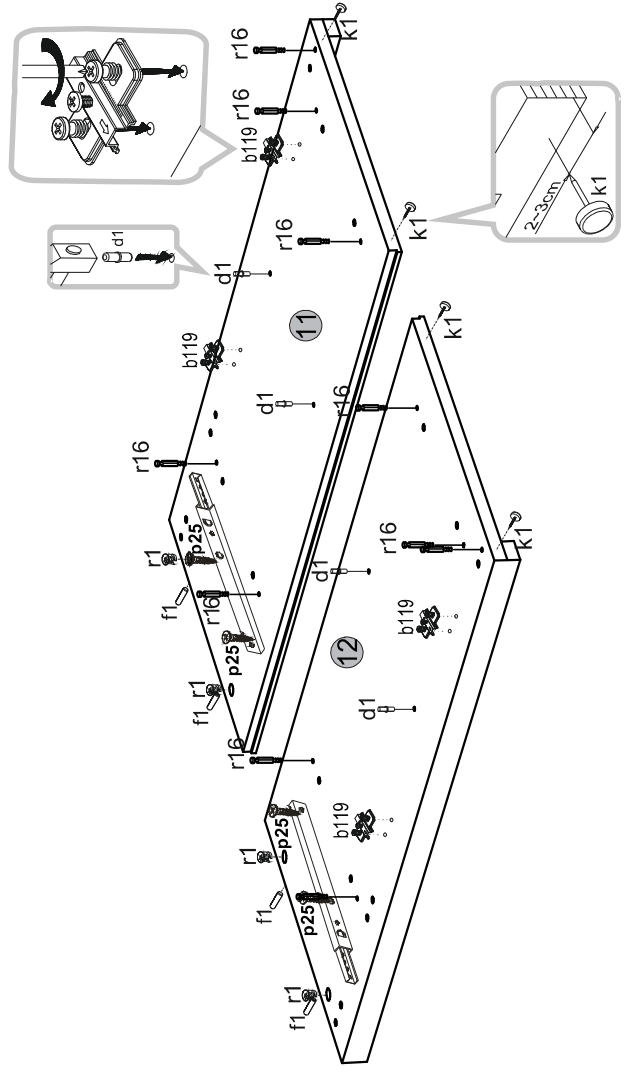
NORTON: KOM 2D5S



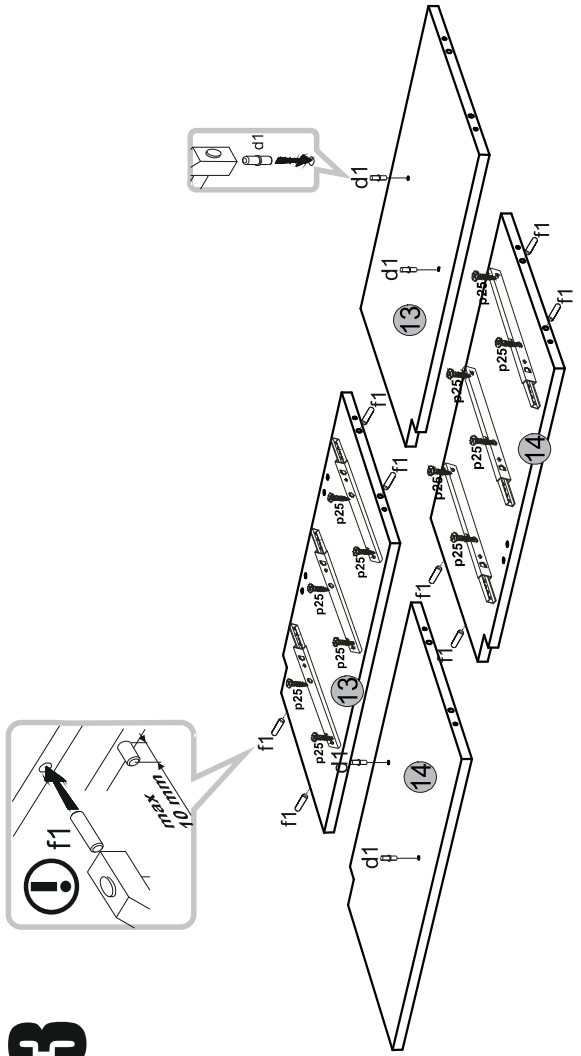
| Element symbol | Dimensions |     | Code     | Package |       |         |
|----------------|------------|-----|----------|---------|-------|---------|
| 1              | 1270       | 400 | 16/32/32 | 1       | K-205 | 1/1     |
| 2              | 394        | 368 | 16       | 2       | K-309 | 1/1     |
| 3              | 327        | 110 | 16       | 3       | K-509 | 1/1     |
| 4              | 1204       | 339 | 16       | 1       | K-310 | 1/1     |
| 5              | 1204       | 60  | 16       | 1       | K-406 | 1/1     |
| 6              | 1204       | 70  | 30       | 1       | K-407 | 1/1     |
| 7              | 1204       | 70  | 30       | 1       | K-408 | 1/1     |
| 8              | 384        | 70  | 30       | 2       | K-409 | 1/1     |
| 9              | 205        | 369 | 16       | 1       | K-115 | 1/1     |
| 10             | 1204       | 369 | 16       | 1       | K-311 | 1/1     |
| 11             | 884        | 398 | 16/32    | 1       | K-116 | 2/2     |
| 12             | 884        | 398 | 16/32    | 1       | K-117 | 2/2     |
| 13             | 603        | 369 | 16       | 1       | K-118 | 2/2     |
| 14             | 603        | 369 | 16       | 1       | K-119 | 2/2     |
| 15             | 350        | 110 | 16       | 3       | K-510 | 2/2     |
| 16             | 350        | 110 | 16       | 3       | K-511 | 1/1 2/2 |
| 17             | 327        | 110 | 16       | 3       | K-512 | 2/2     |
| 18             | 318        | 60  | 16       | 2       | K-410 | 1/1     |
| 19             | 582        | 398 | 16       | 2       | K-004 | 3/3     |
| 20             | 537        | 100 | 16       | 2       | K-513 | 2/2     |
| 21             | 537        | 100 | 16       | 2       | K-514 | 1/1     |
| 22             | 350        | 100 | 16       | 2       | K-515 | 2/2     |
| 23             | 350        | 100 | 16       | 2       | K-516 | 2/2     |
| 24             | 170        | 598 | 16       | 1       | K-005 | 3/3     |
| 25             | 170        | 598 | 16       | 1       | K-006 | 3/3     |
| 26             | 170        | 398 | 16       | 3       | K-007 | 3/3     |
| 27             | 551        | 332 | 3        | 2       | K-607 | 2/2     |
| 28             | 341        | 332 | 3        | 3       | K-608 | 2/2     |
| 29             | 849        | 410 | 3        | 2       | K-609 | 2/2     |
| 30             | 849        | 401 | 3        | 1       | K-610 | 2/2     |



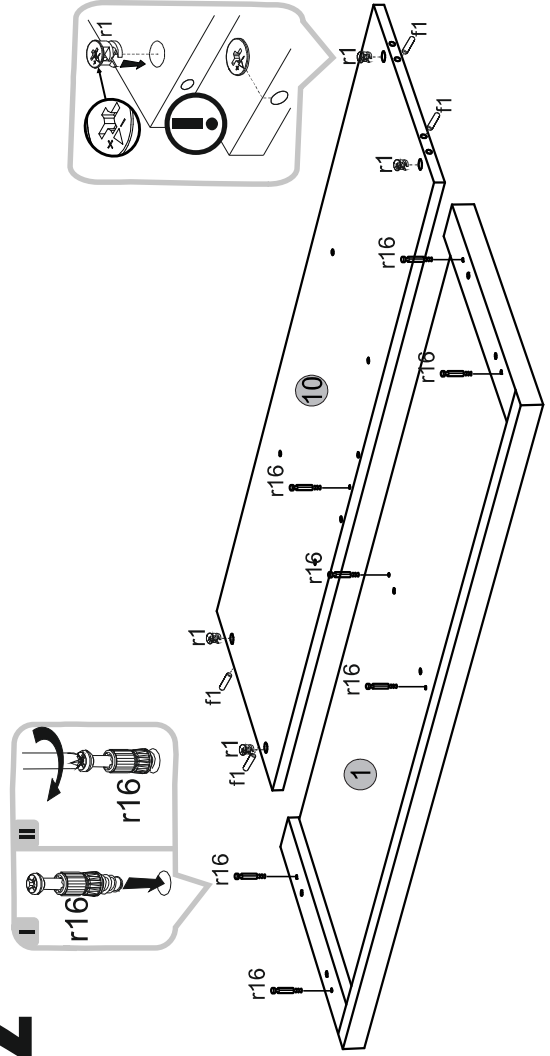
1



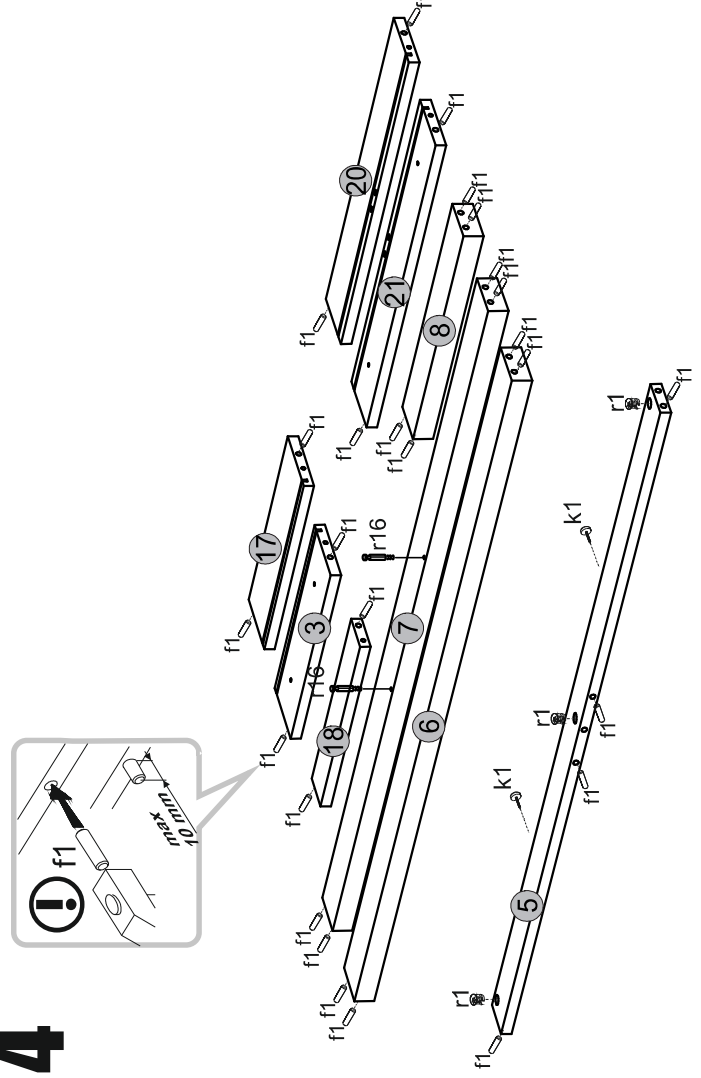
3



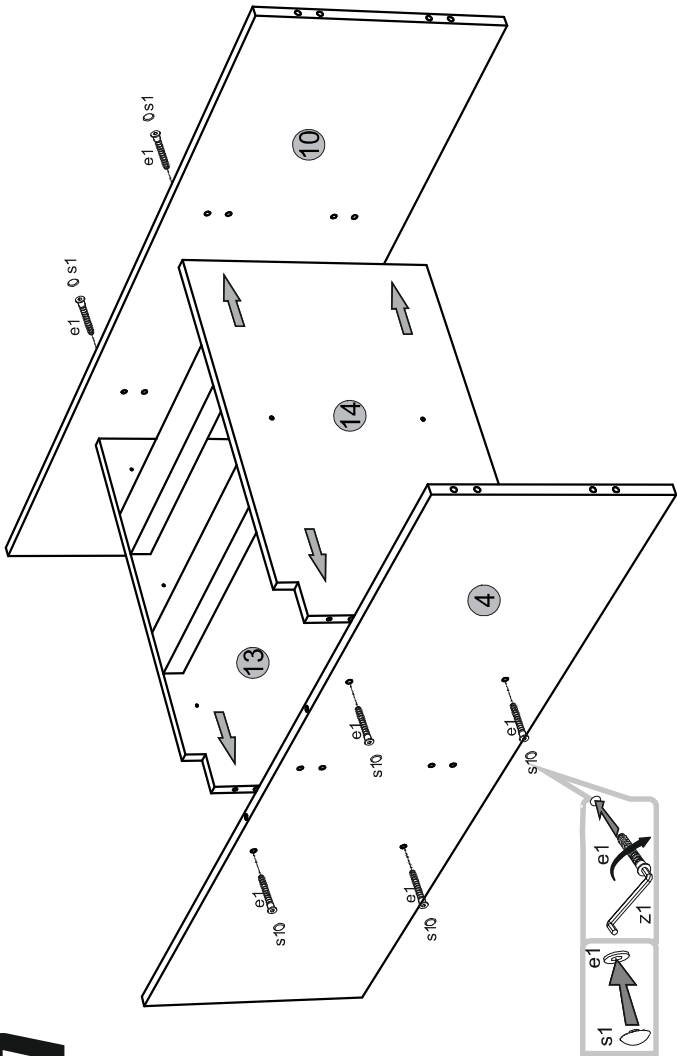
2



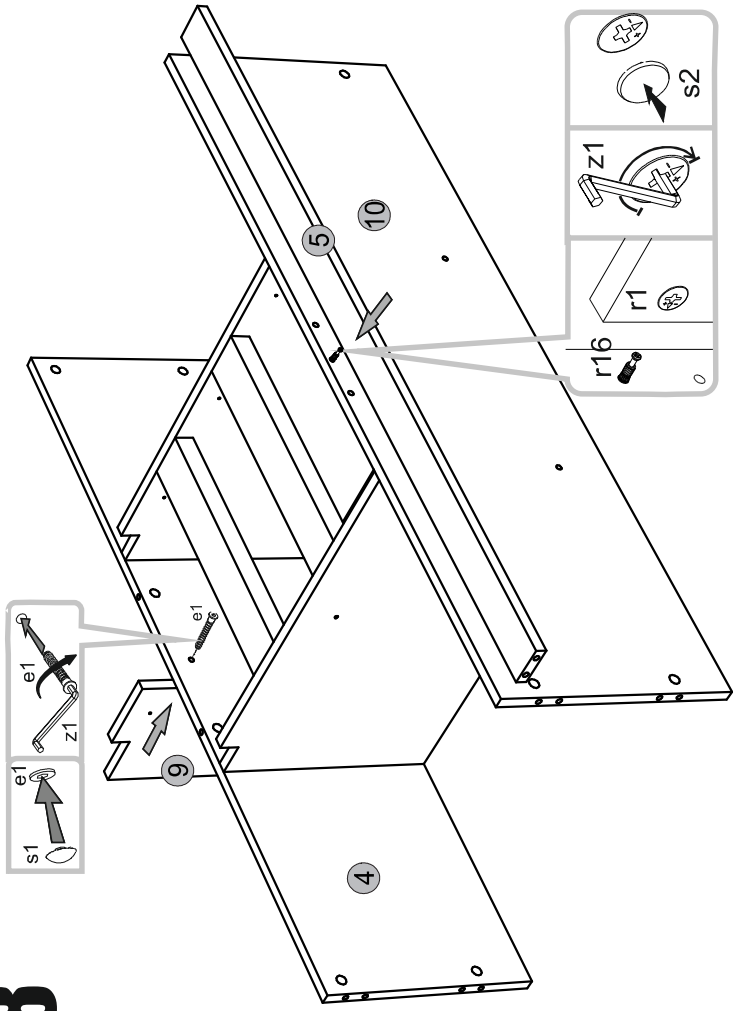
4



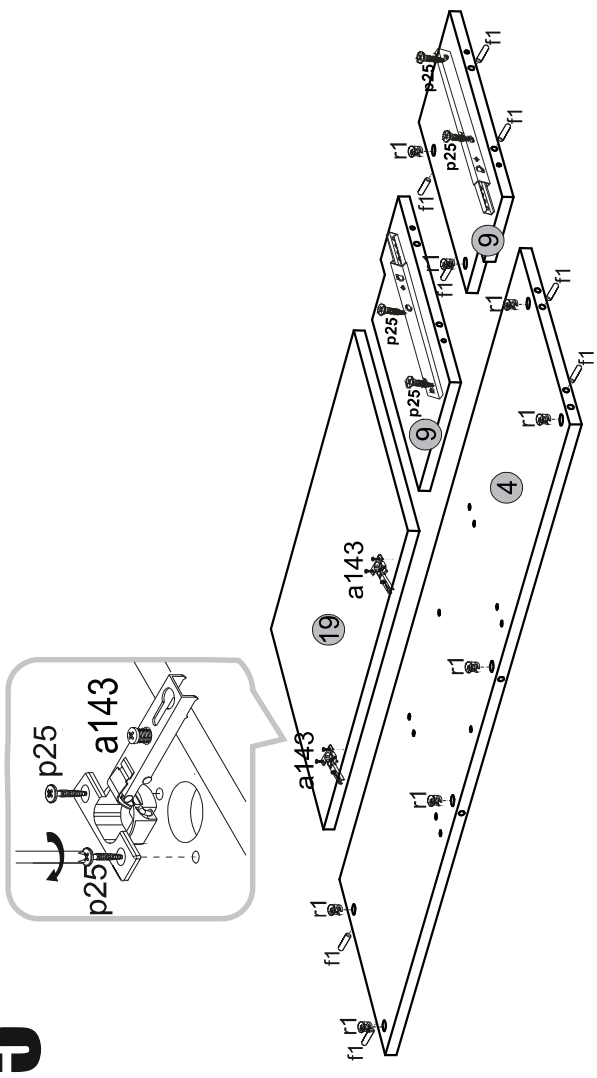
7



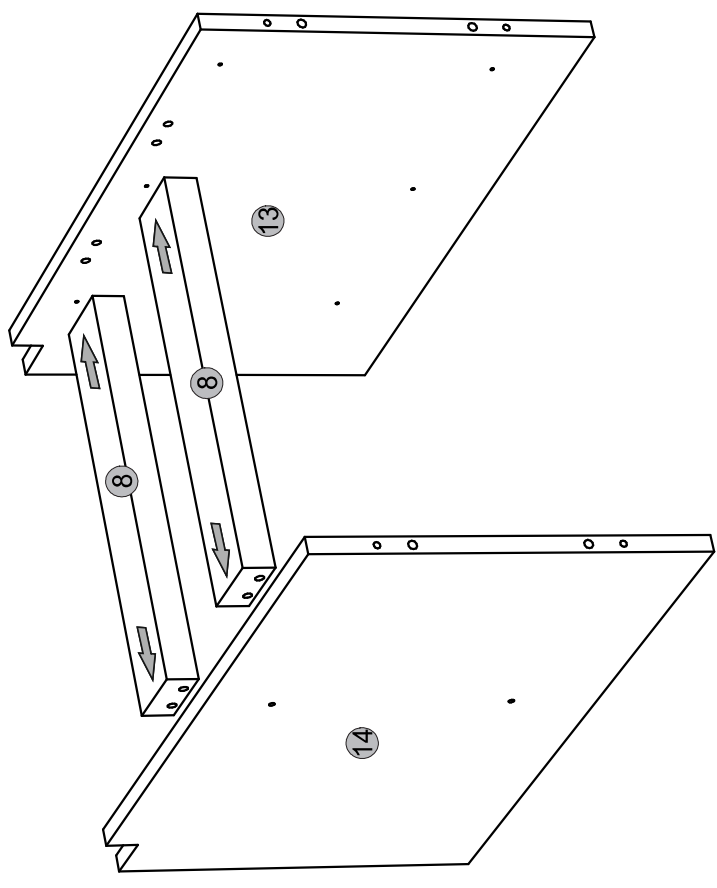
8



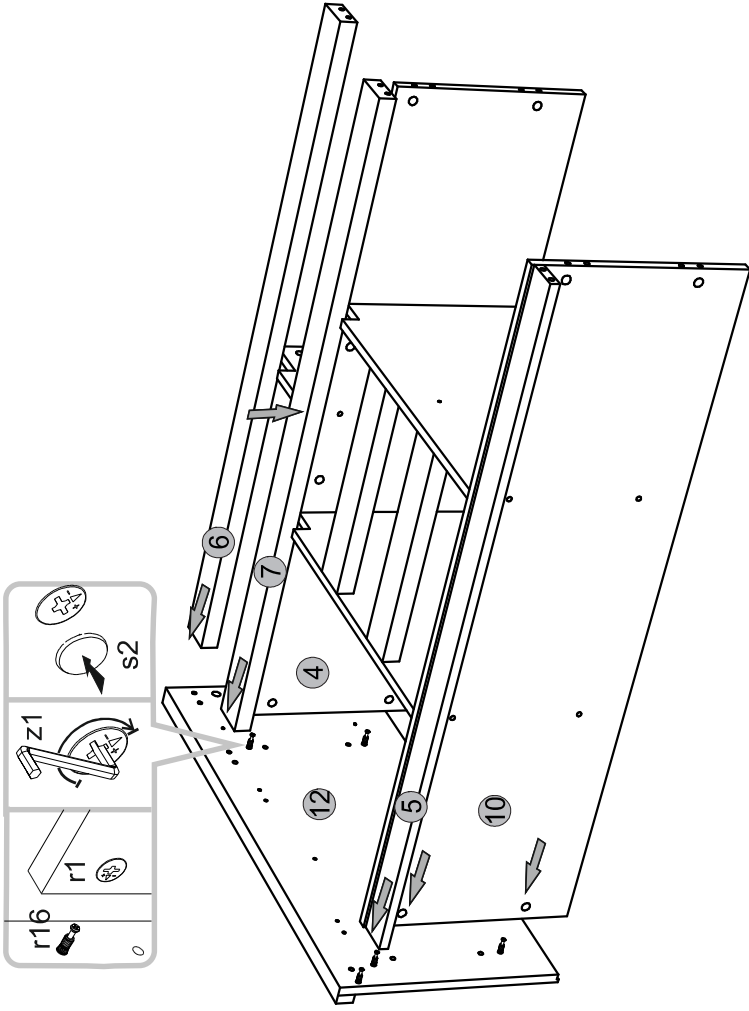
5



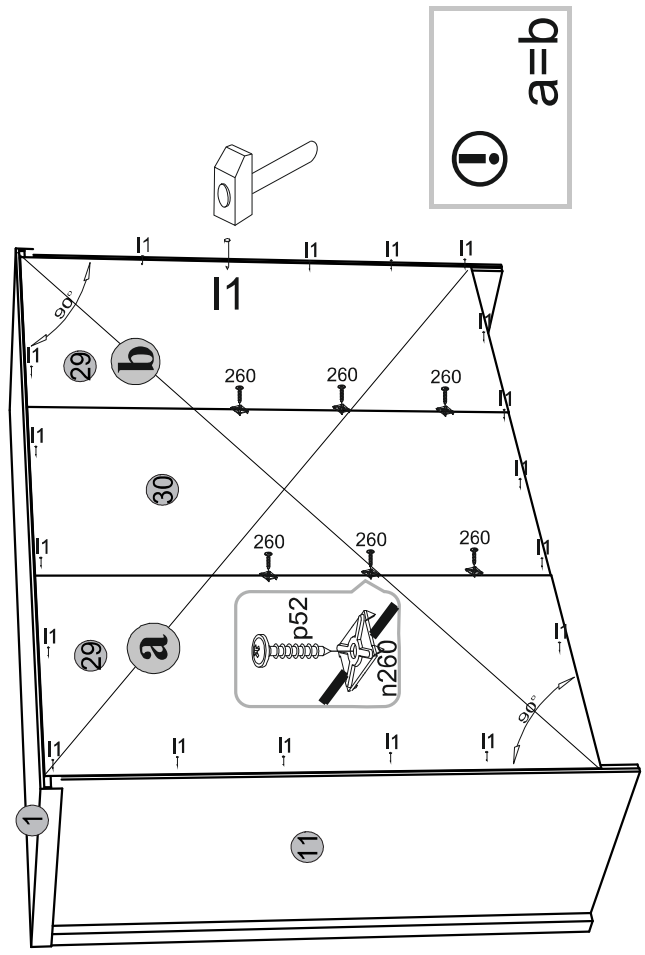
6



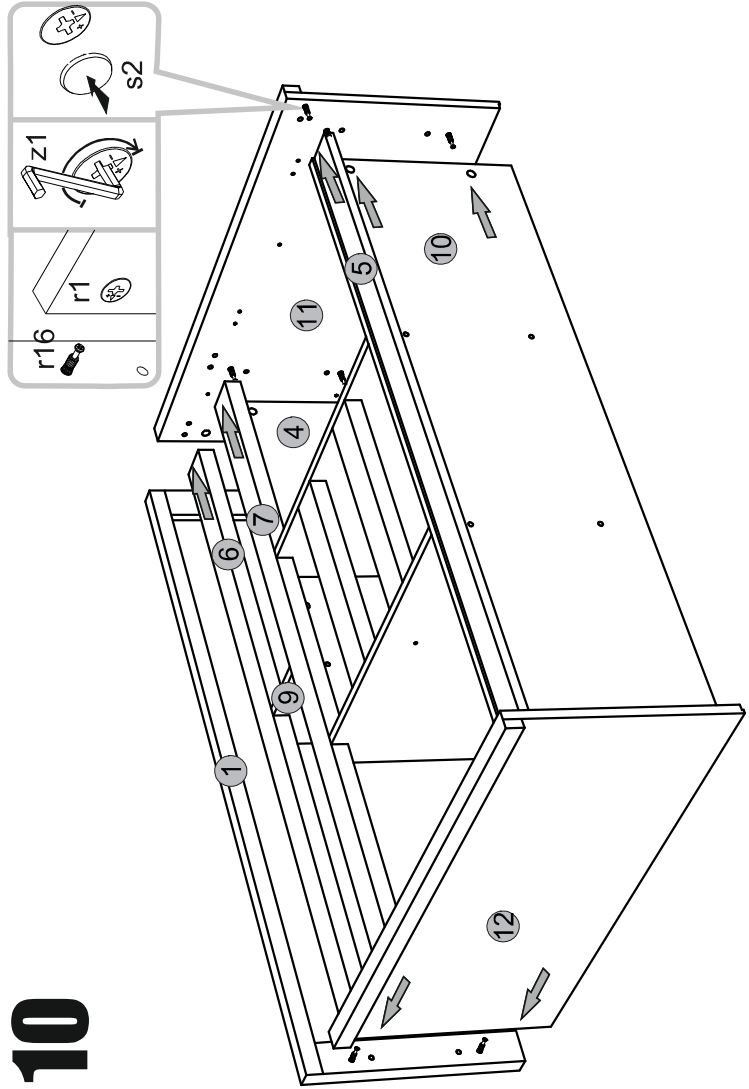
9



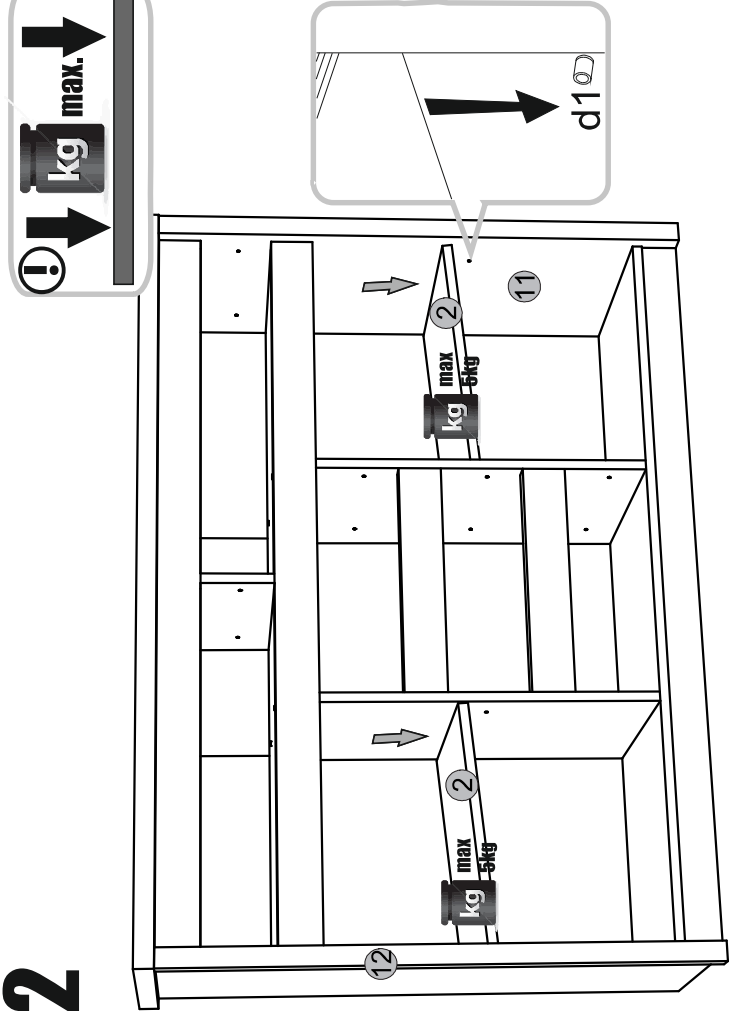
11



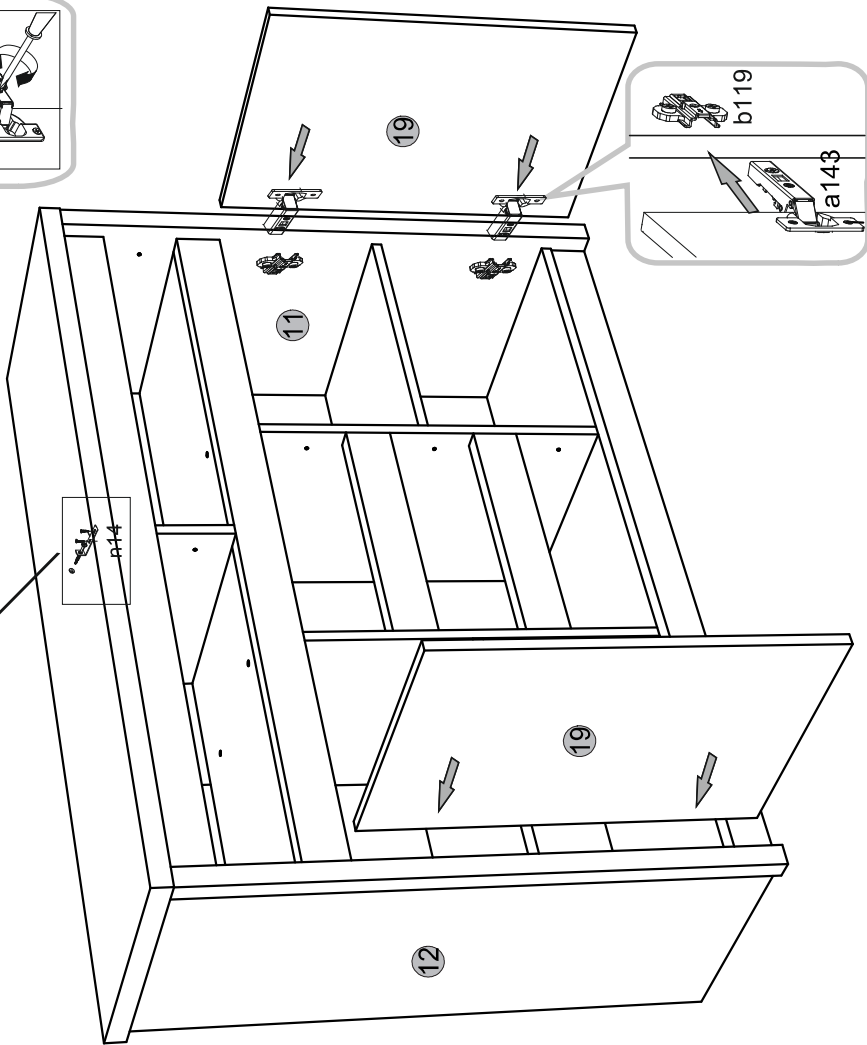
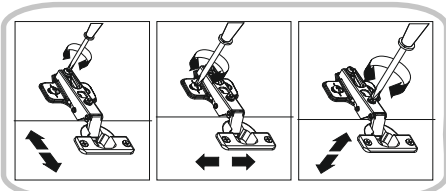
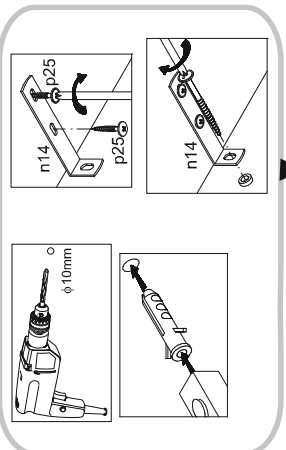
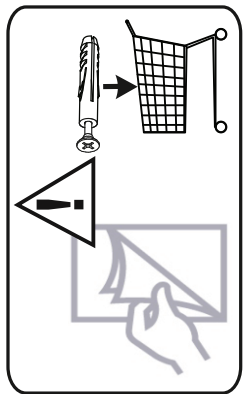
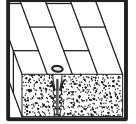
10



12



13



14

