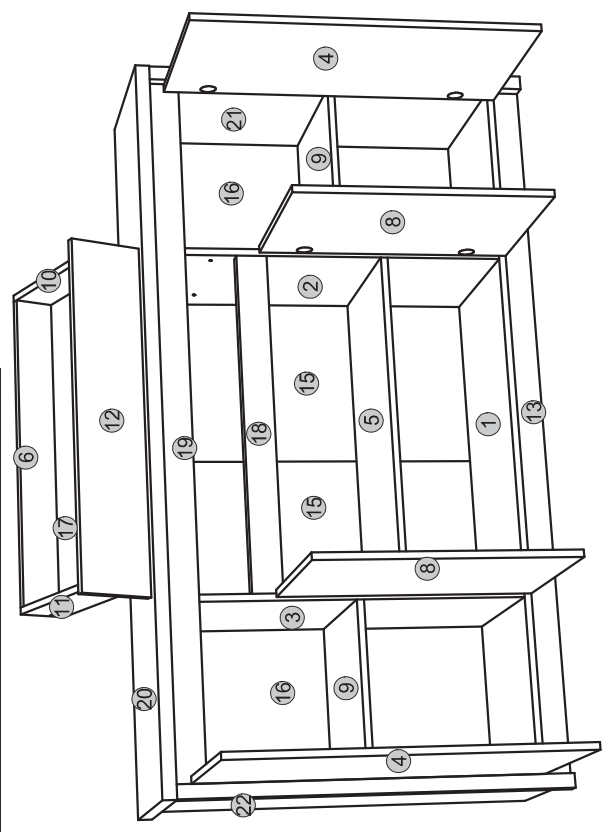
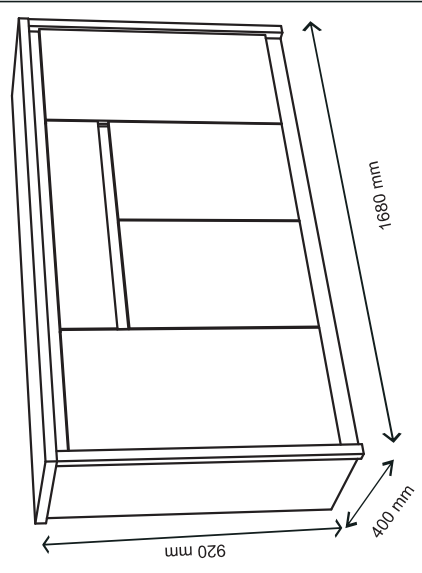
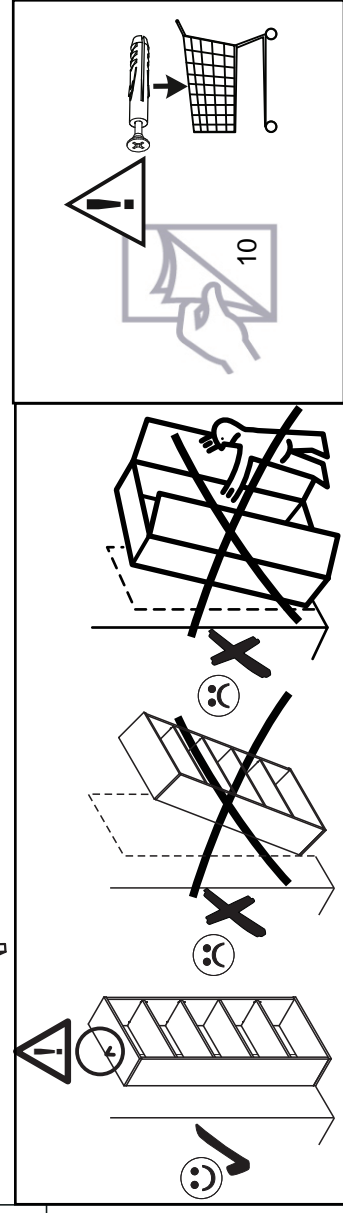
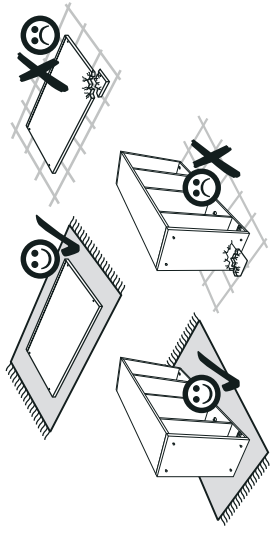
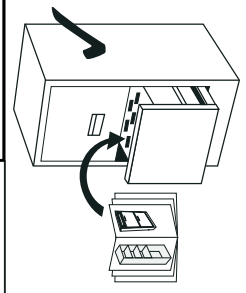
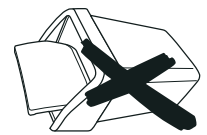
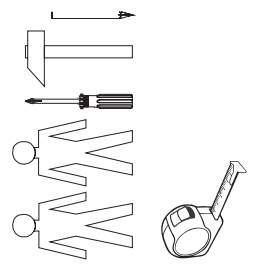
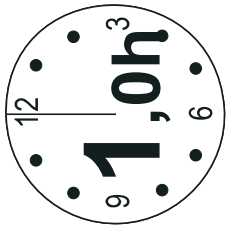
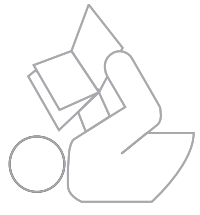


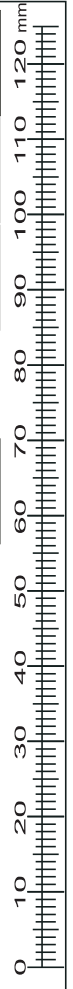
Instalation manual

NORTON: KOM_4D1S

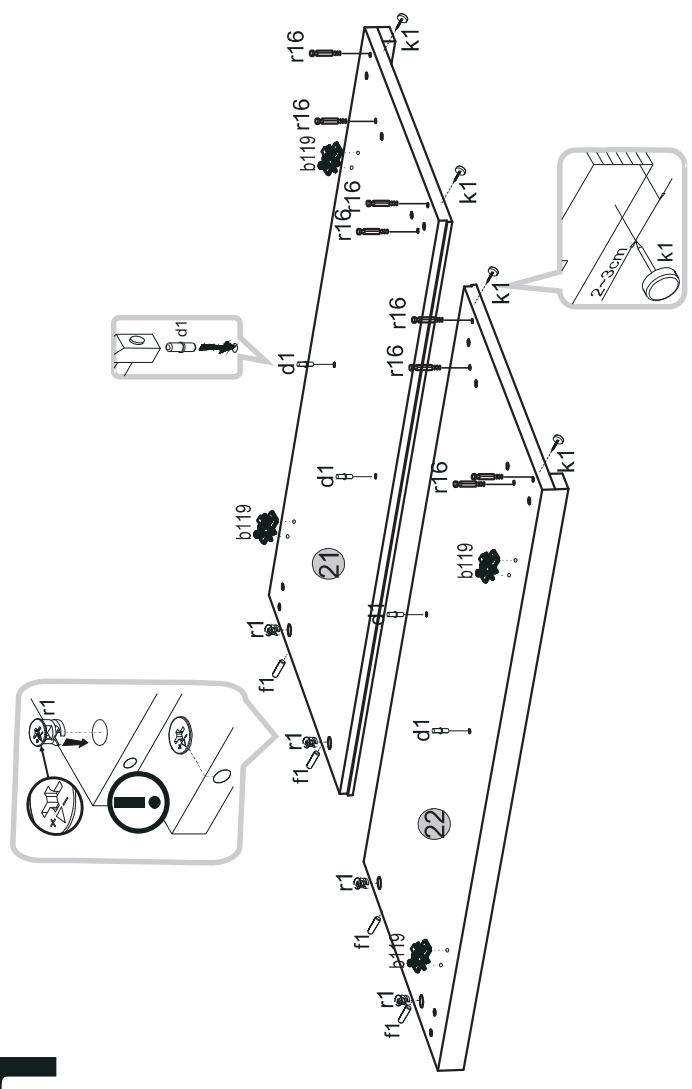


Element symbol	Dimensions	Code	Package
1	369 16	K-323	1/1
2	369 16	K-130	2/2
3	369 16	K-131	1/1
4	401 16	K-014	3/3
5	369 16	K-324	2/2
6	110 16	K-529	1/1
7	110 16	K-530	1/1
8	398 16	K-004	3/3
9	369 16	K-325	2/2
10	350 110	K-531	1/1
11	350 110	K-532	1/1
12	170 799	K-015	3/3
13	60 1613	K-424	1/1
14	60 318	K-425	2/2
15	849 399	K-621	2/2
16	849 416	K-622	2/2
17	740 332	K-623	2/2
18	70 783	K-426	1/1
19	70 1613	K-427	1/1
20	1679 400	K-210	1/1
21	884 398	K-132	2/2
22	884 398	K-133	2/2

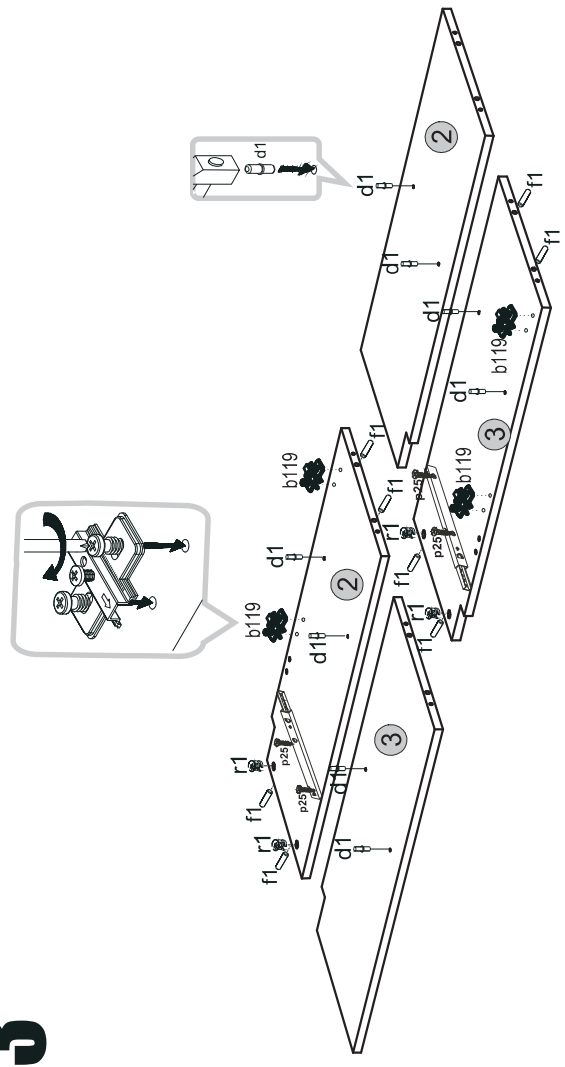
1x	12x L 120mm	18x ø16	1x s2	1x z1
6x	p52 ø20 D1.027	2x ø4.5/6mm	2x p21	38x f1 ø8x30
4x	ø4.5/6mm	18x ø4.5/6mm	18x r1	18x r16
4x	ø1.43	10x 45x3mm 2/6	10x e1	10x s1
8x	n14 ø14.5	60x ø7.5x50mm	1x k1	



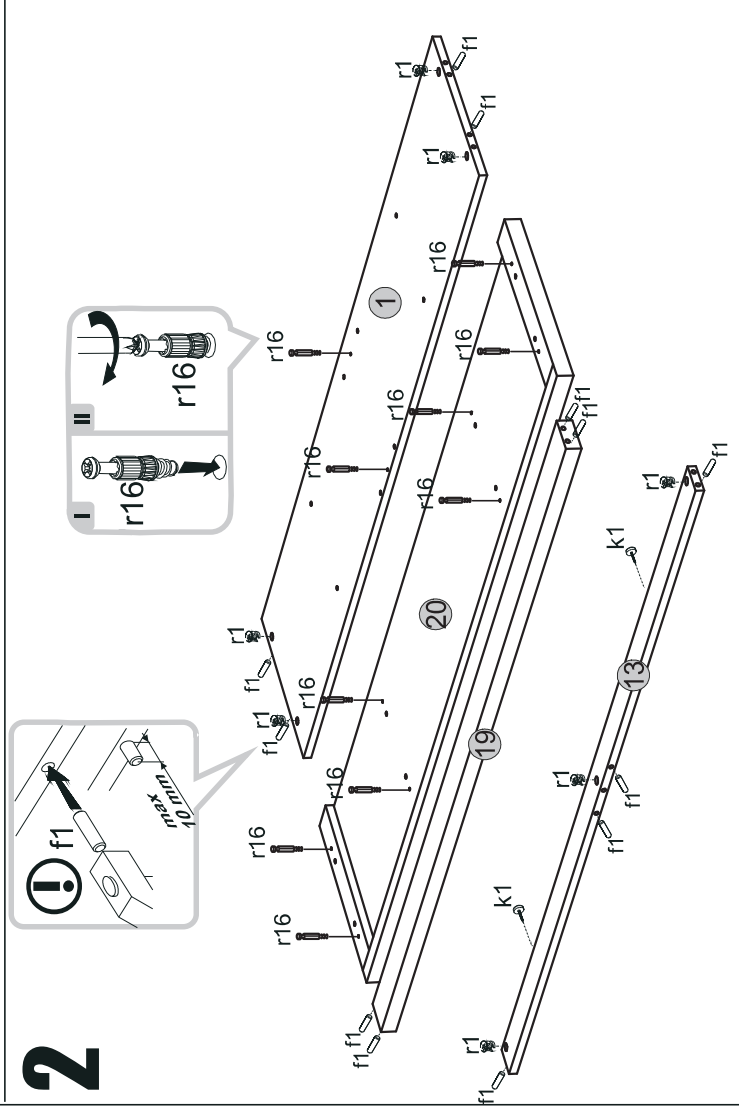
1



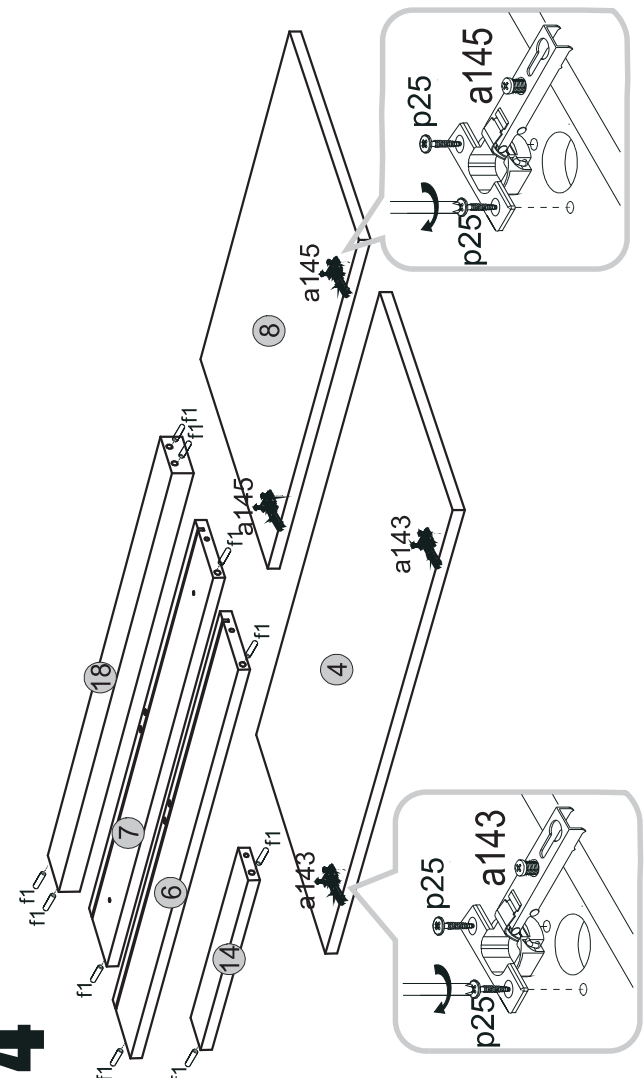
3



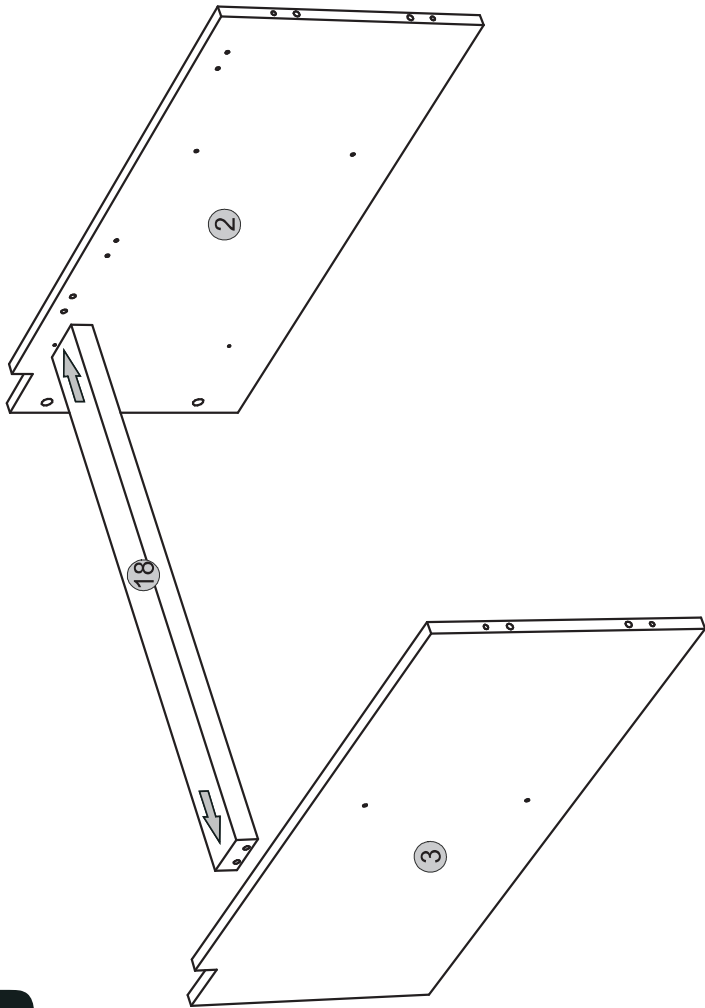
2



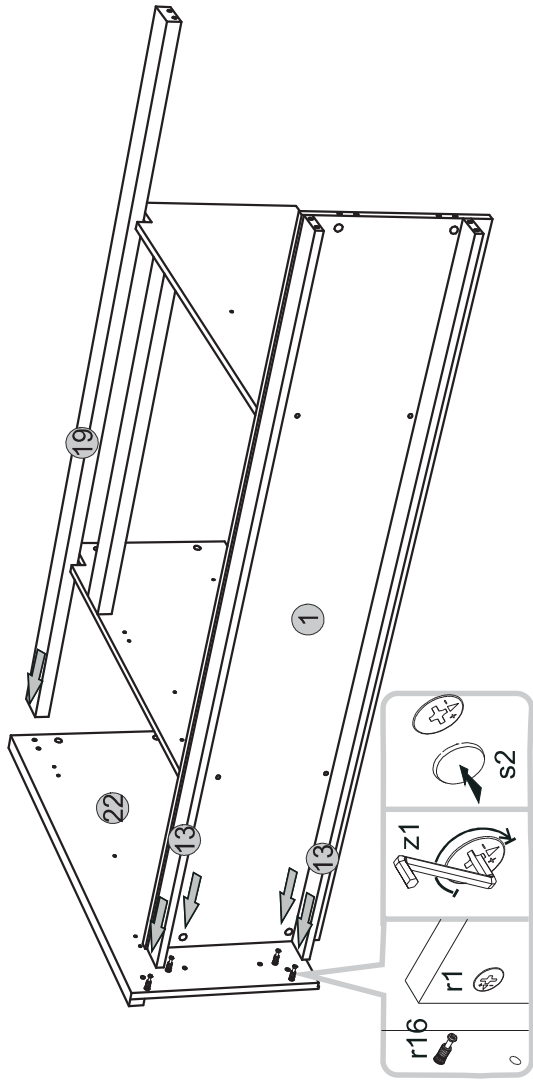
4



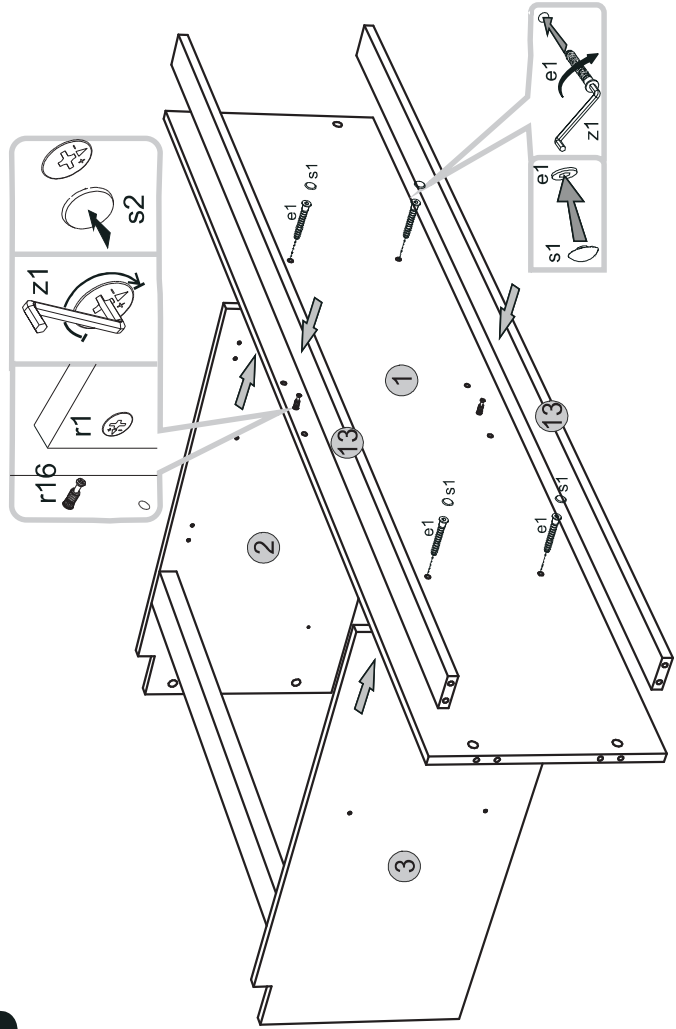
5



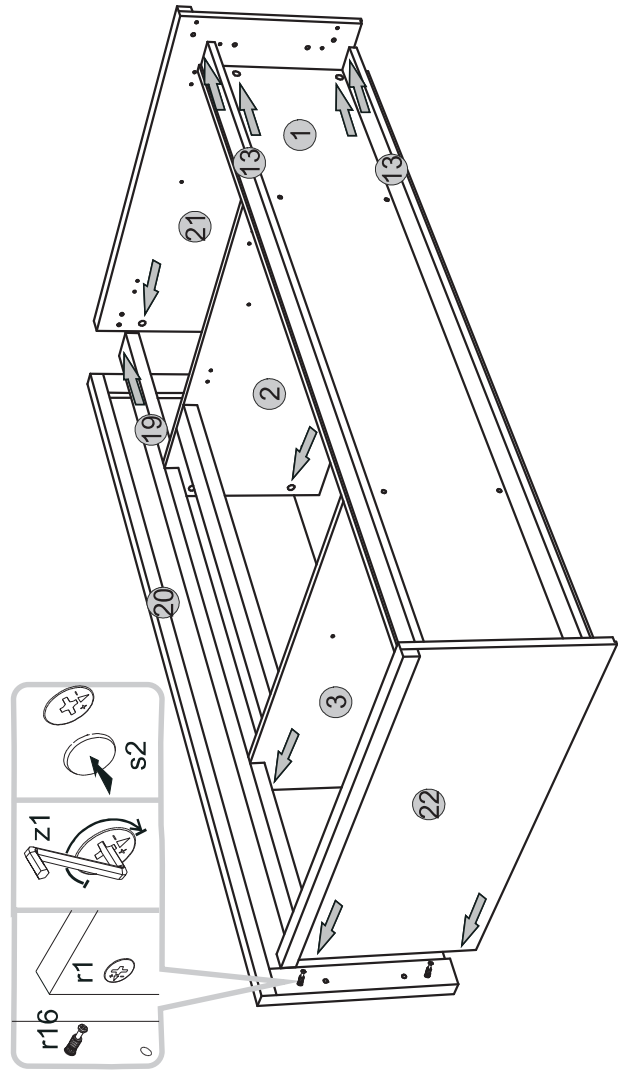
7



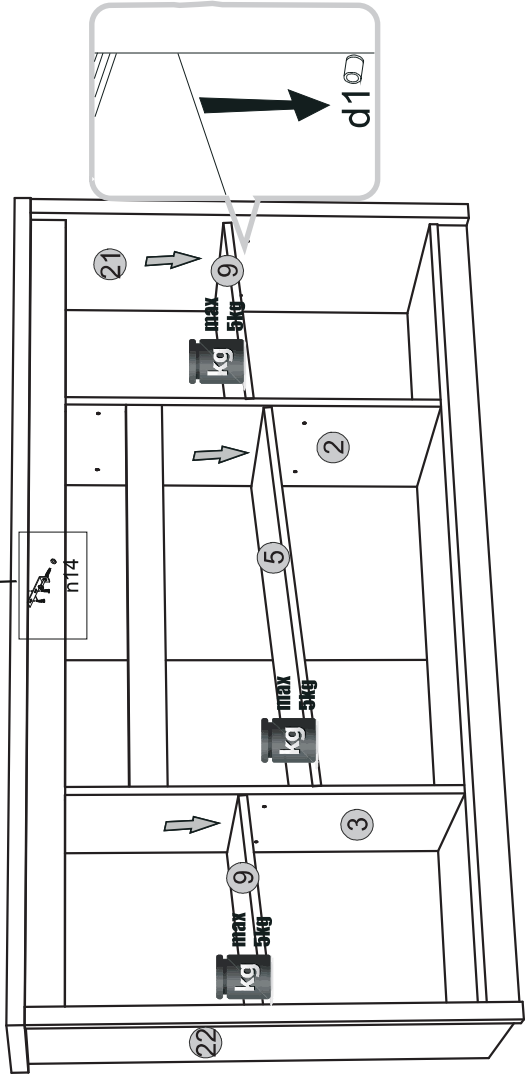
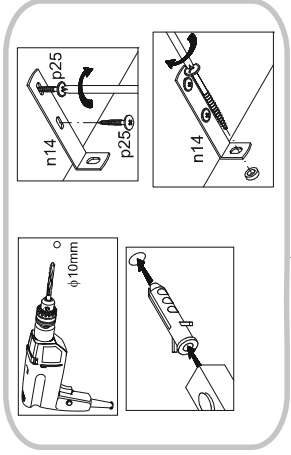
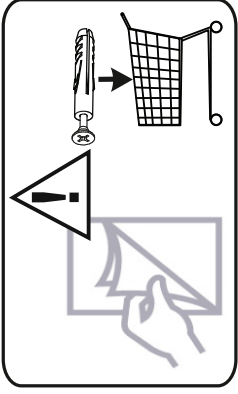
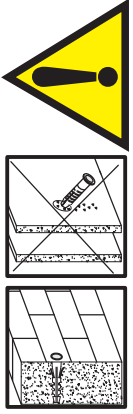
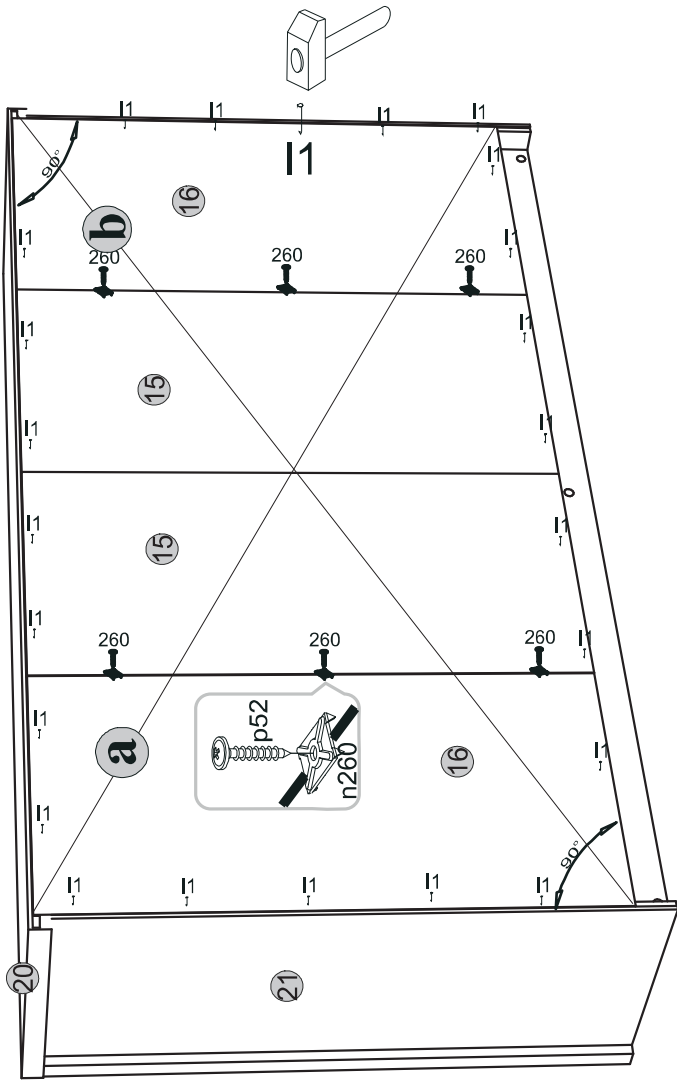
6



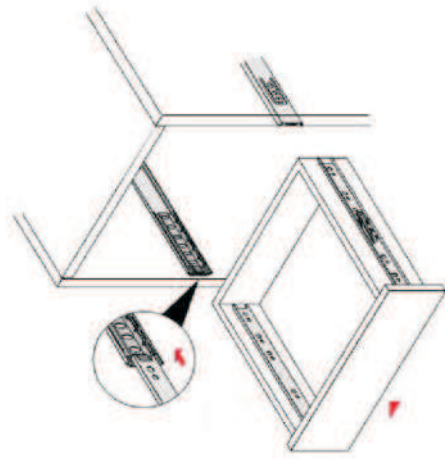
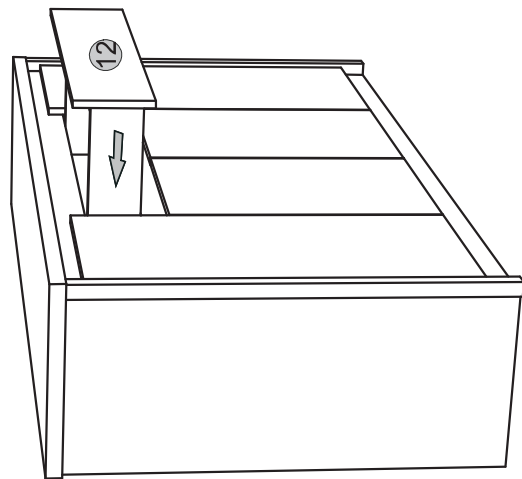
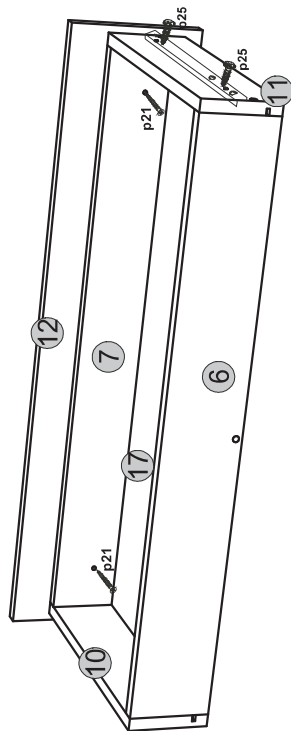
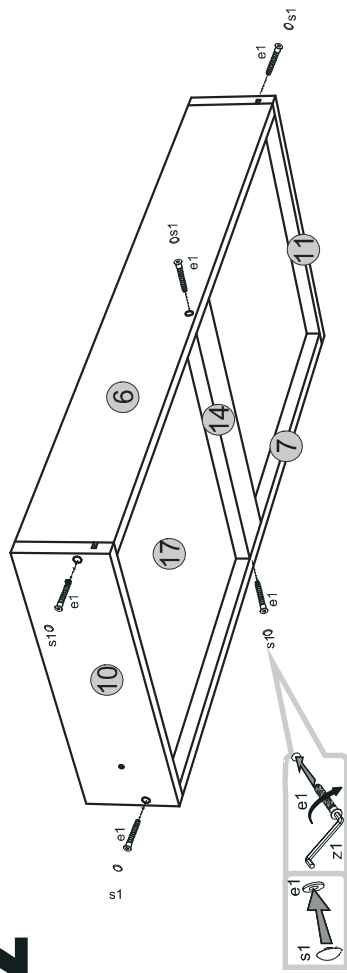
8



! a=b



12



11

