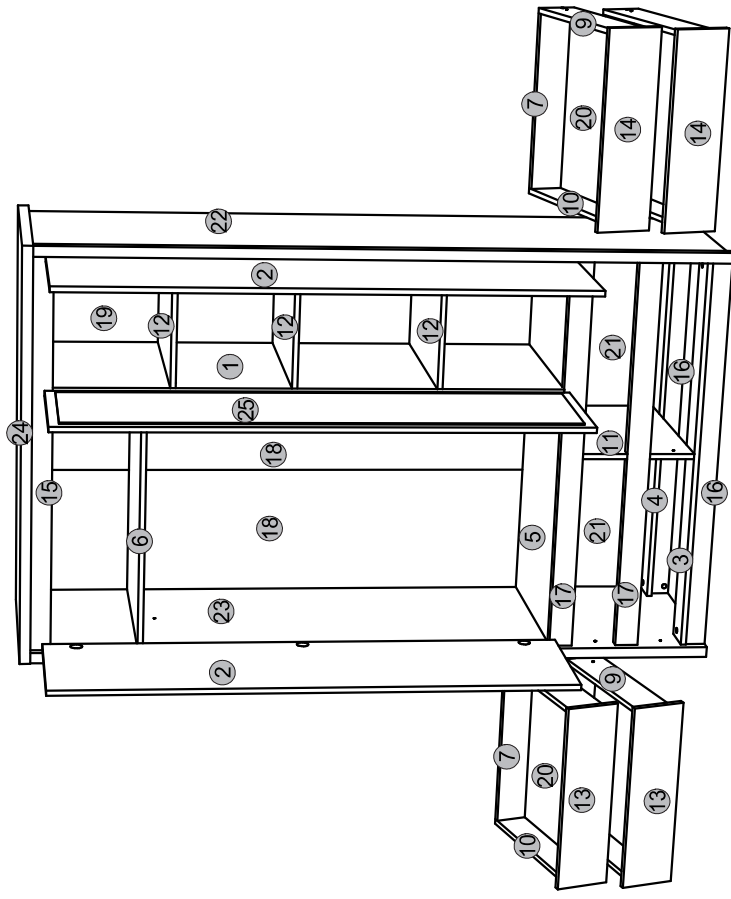
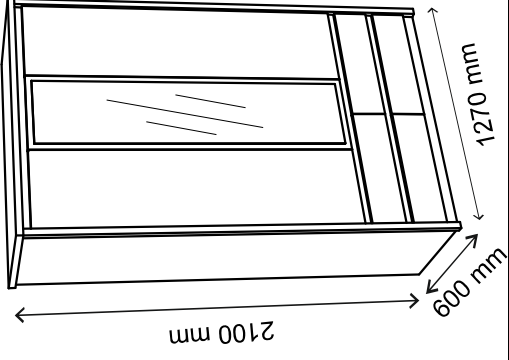
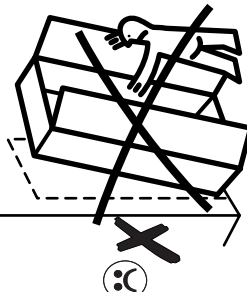
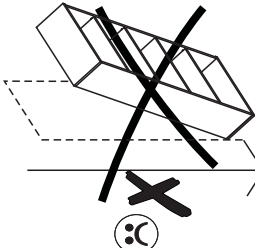
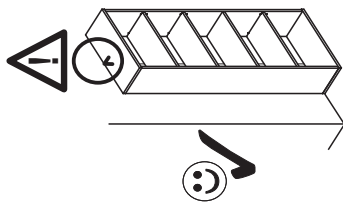
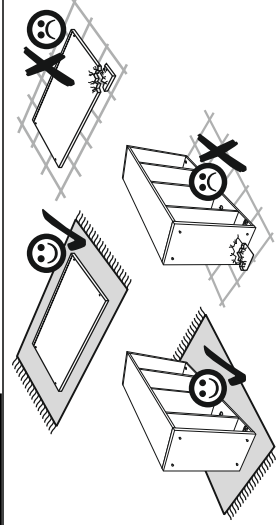
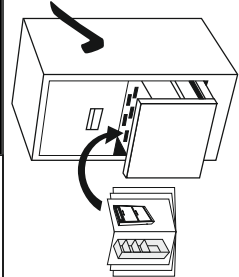
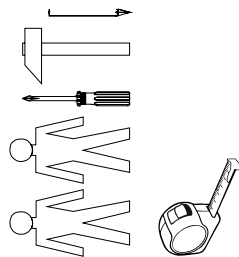
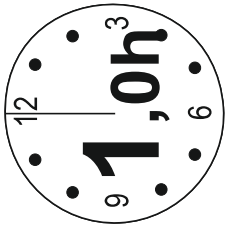
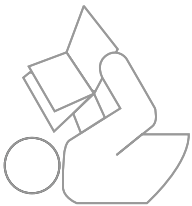


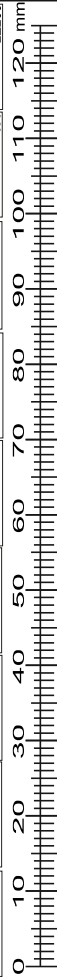
# Instalation manual

NORTON: SZF\_3D4S

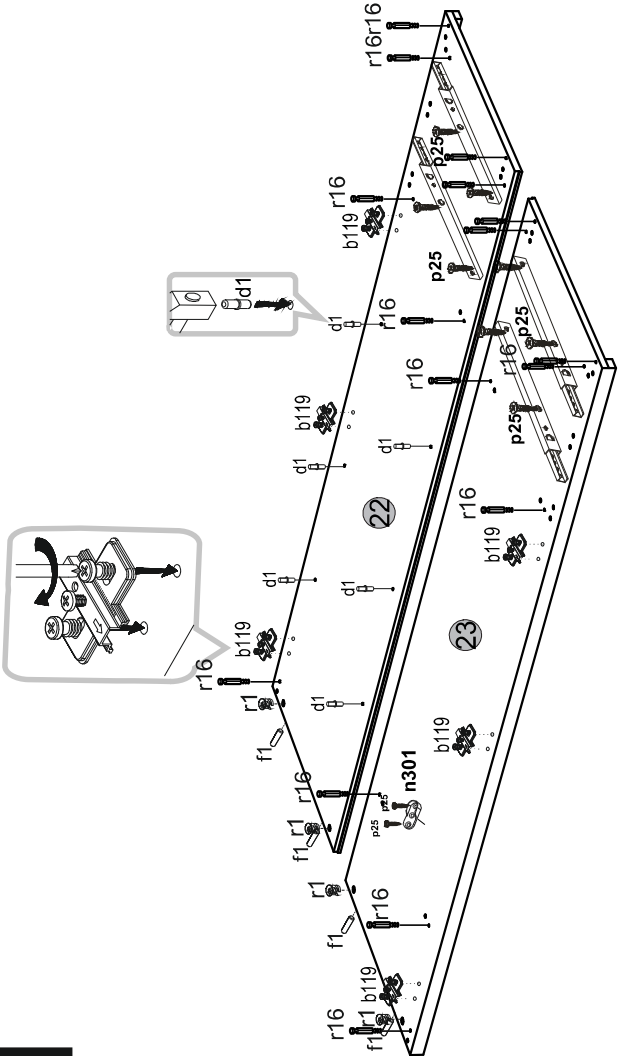


Element symbol	Dimensions		Code	Package
1	1596	16	1 NS-107	1/1
2	1560	398	16 NS-002	4/4
3	1204	100	16 NS-403	3/3
4	1204	100	16 NS-404	3/3
5	1204	539	16 NS-302	3/3
6	794	569	16 NS-303	3/3
7	537	120	16 NS-505	2/2
8	537	120	16 NS-506	2/2
9	500	120	16 NS-507	3/3
10	500	120	16 NS-508	2/2 3/3
11	396	569	16 NS-108	1/1
12	394	569	16 NS-304	2/2 3/3
13	170	598	16 NS-003	4/4
14	170	598	16 NS-004	4/4
15	60	1204	16 NS-405	2/2
16	60	1204	16 NS-406	3/3
17	70	1204	30 NS-407	3/3
18	1613	405	3 NS-603	1/1
19	1613	411	3 NS-604	1/1
20	551	482	3 NS-605	2/2
21	419	611	3 NS-606	2/2
22	2068	598	16/32 NS-109	1/1
23	2068	598	16/32 NS-110	1/1
24	1270	600	16/32 NS-202	2/2
25	1560	398	16 NS-0022	4/4

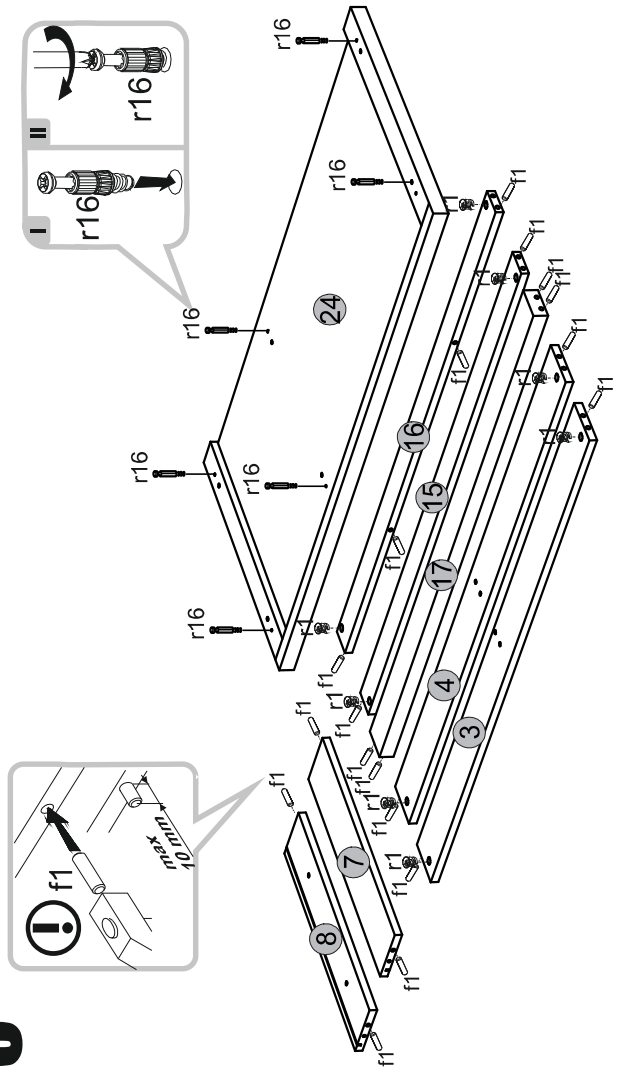
4x	e3	ø6x3 mm
1x	f3	ø6x50 mm
1x	p17	ø6x50 mm
1x	n14	1x2x14x1.5mm
1x	59x	ø6x50 mm
1x	6x	ø6x50 mm
1x	al43	ø6x50 mm
1x	n301	2x
90x	f1	ø6x50 mm
90x	p25	ø6x50 mm
80x	h1	ø6x50 mm
12x	d1	ø6x17 mm
26x	s2	ø6x17 mm
26x	al16	ø6x17 mm
26x	p21	ø6x17 mm
10x	p52	ø6x17 mm
10x	r16	ø6x17 mm
8x	r16	ø6x17 mm
6x	al45	ø6x17 mm
3x	a145	ø6x17 mm
4x	s1	L=50mm
20x	e1	ø7x50 mm
20x	r1	ø7x50 mm
20x	f1	ø7x50 mm
20x	h1	ø7x50 mm
2x	z1	ø7x50 mm
2x	k1	ø6x17 mm
2x	22200	ø6x17 mm



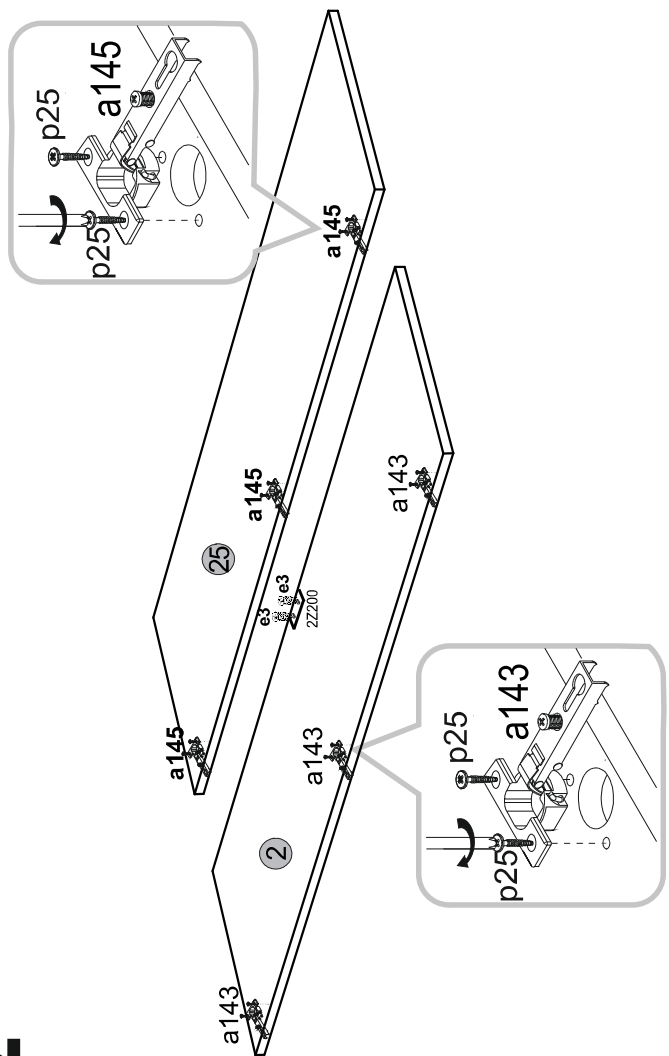
1



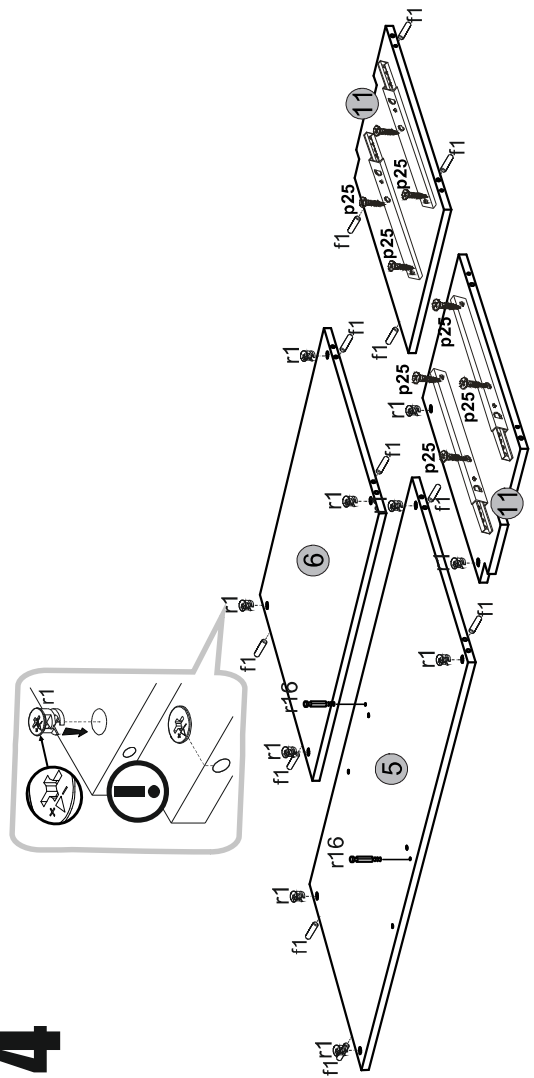
3



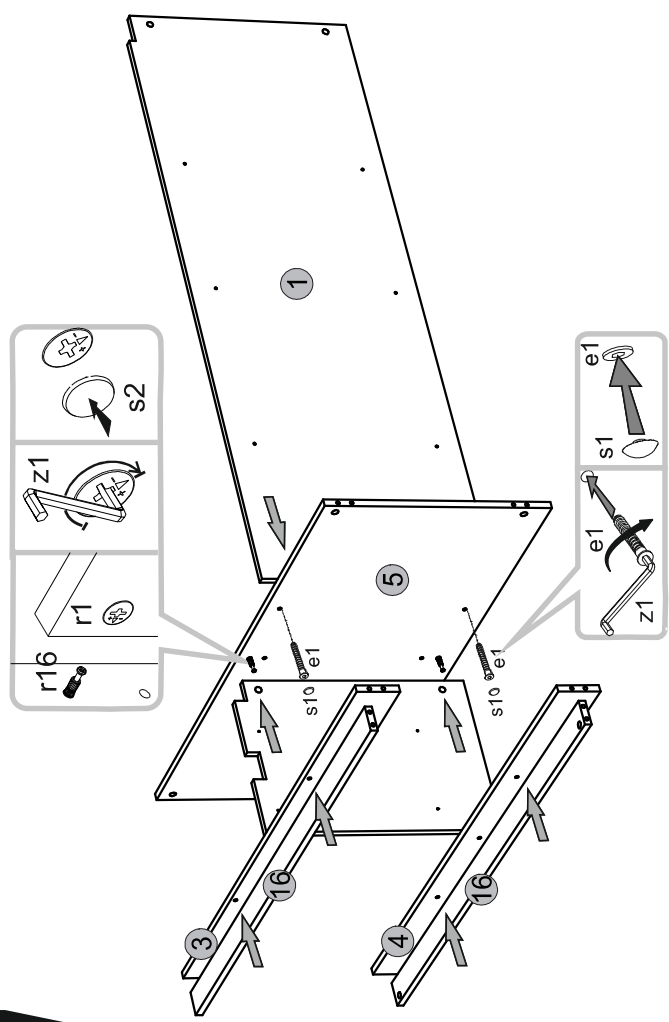
2



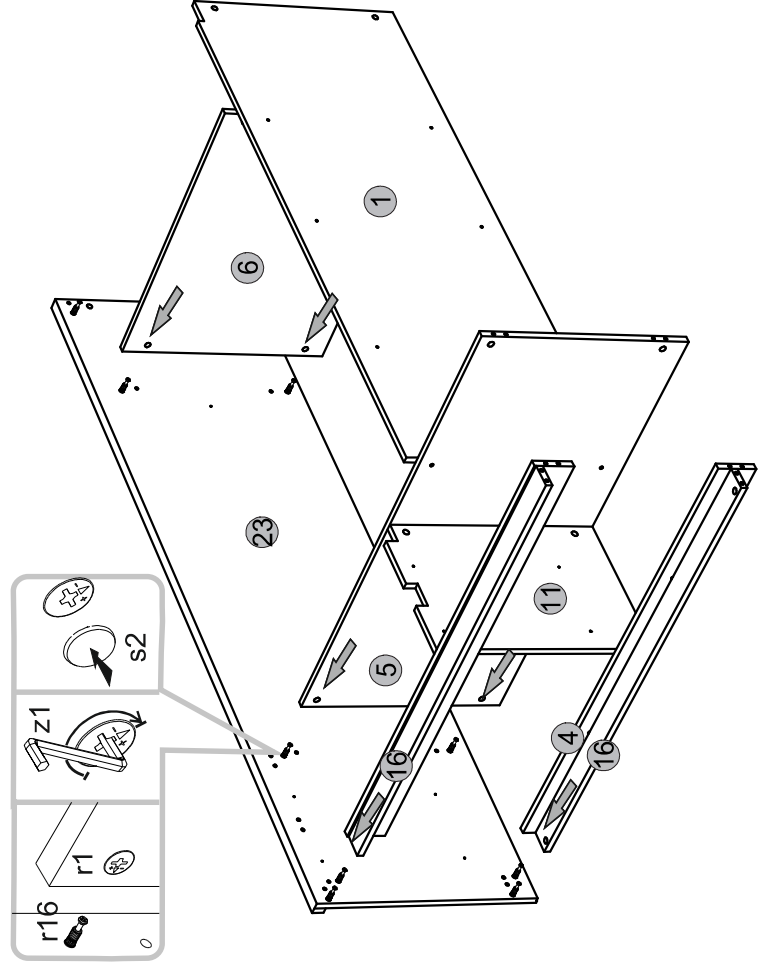
4



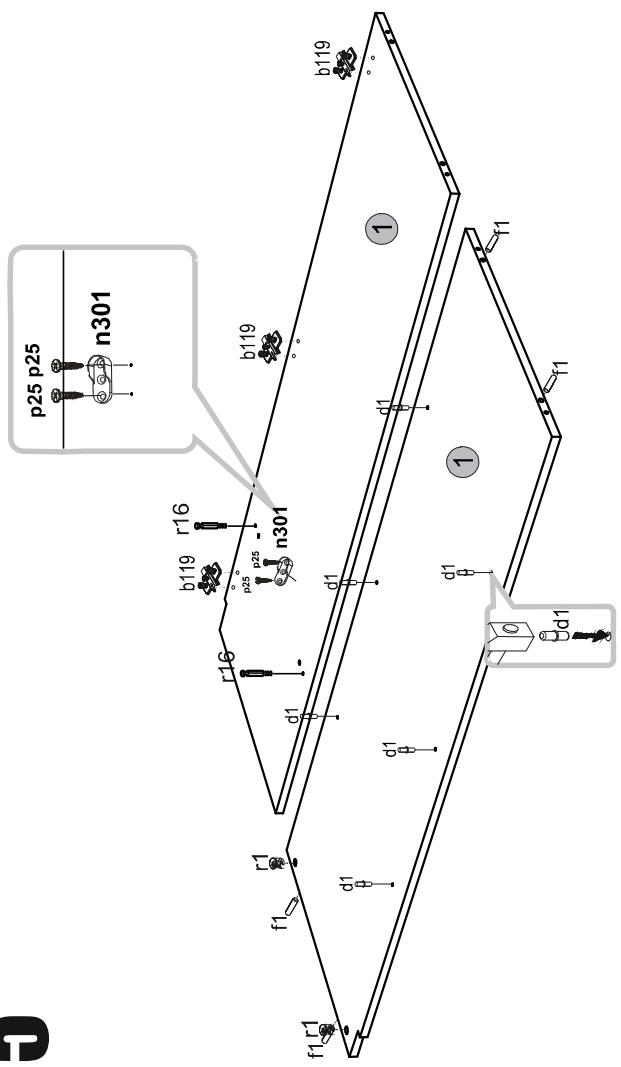
7



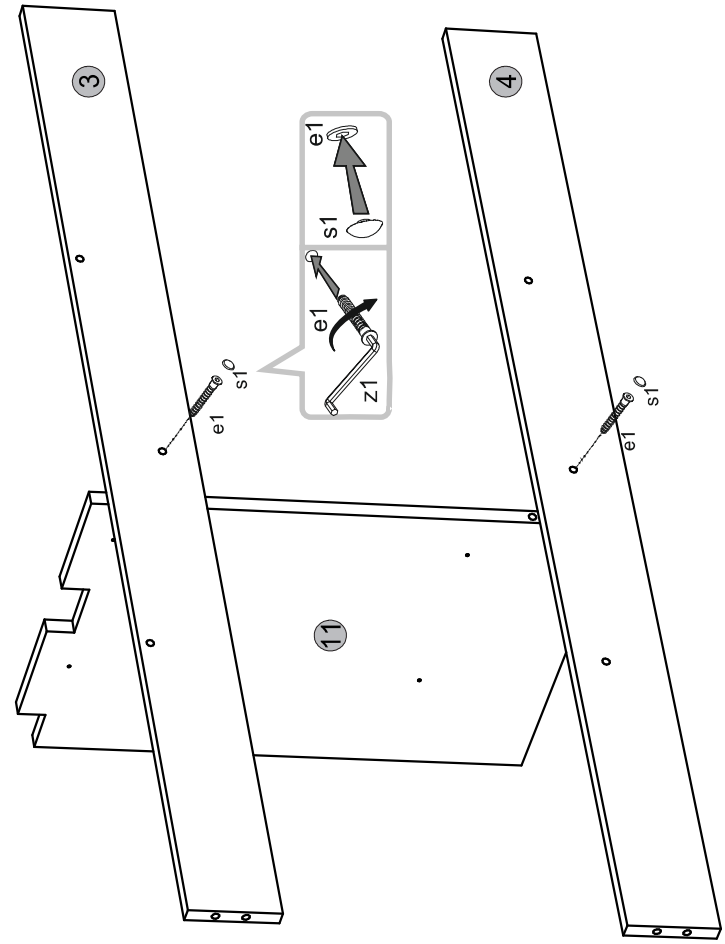
8



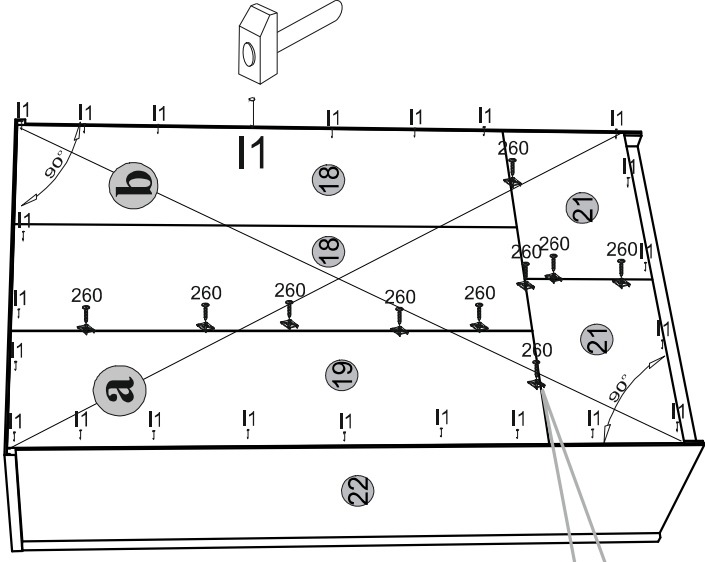
5



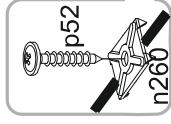
6



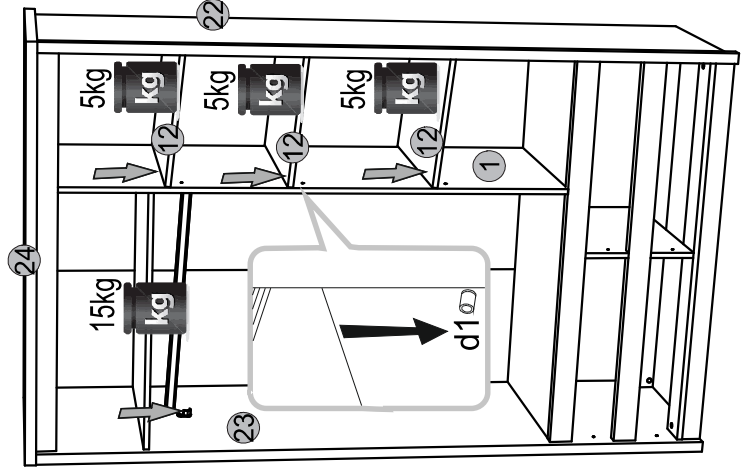
# 11



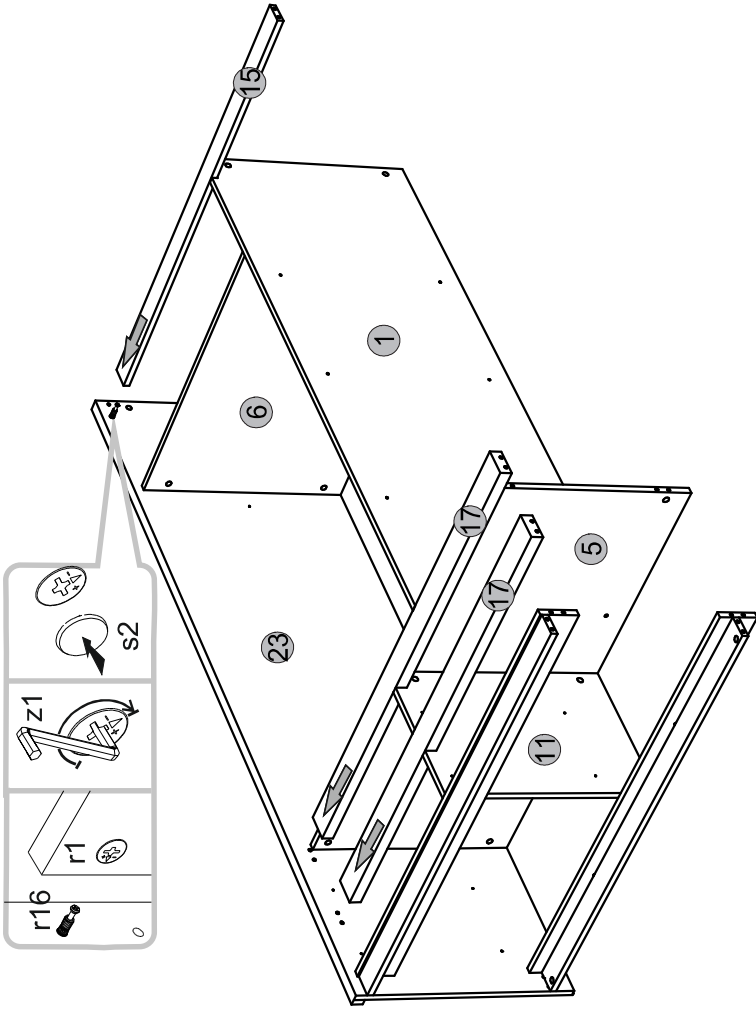
**!** a=b



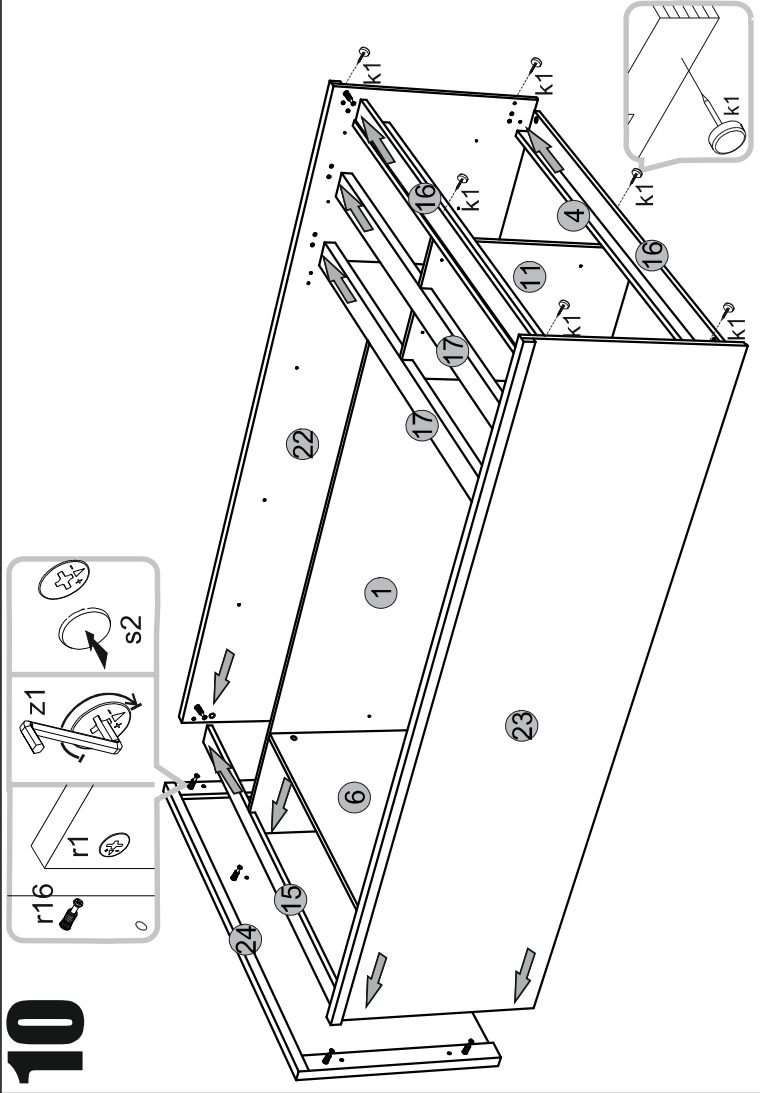
# 12



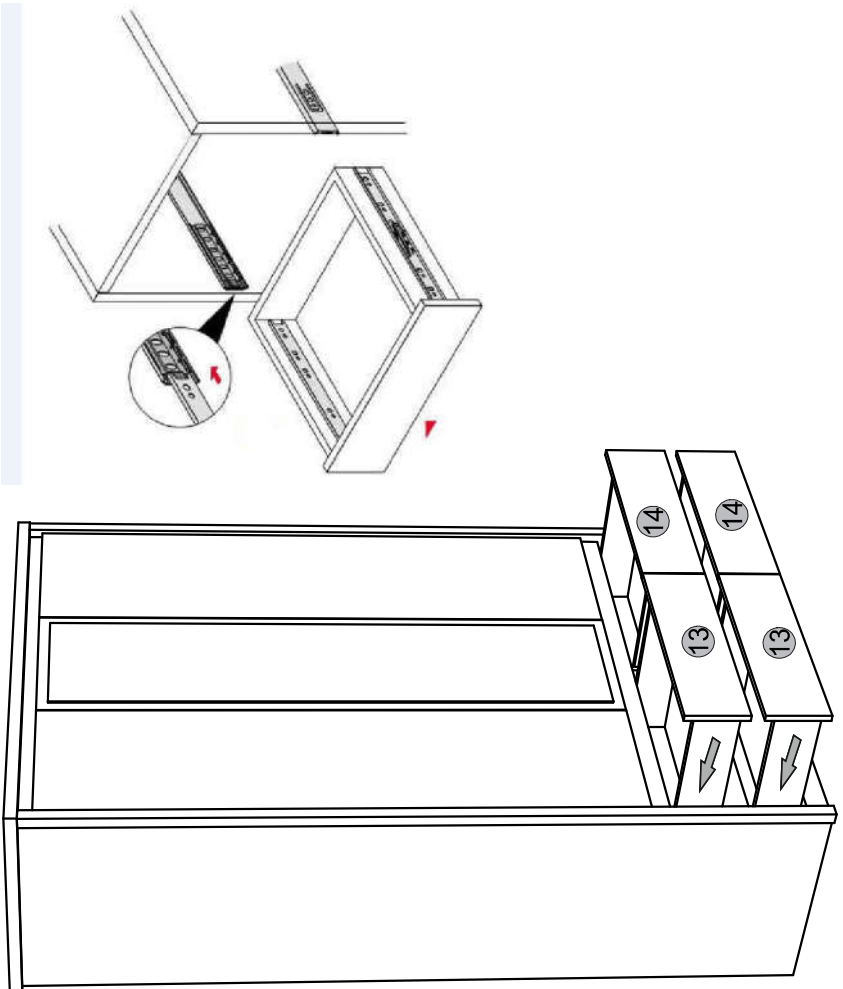
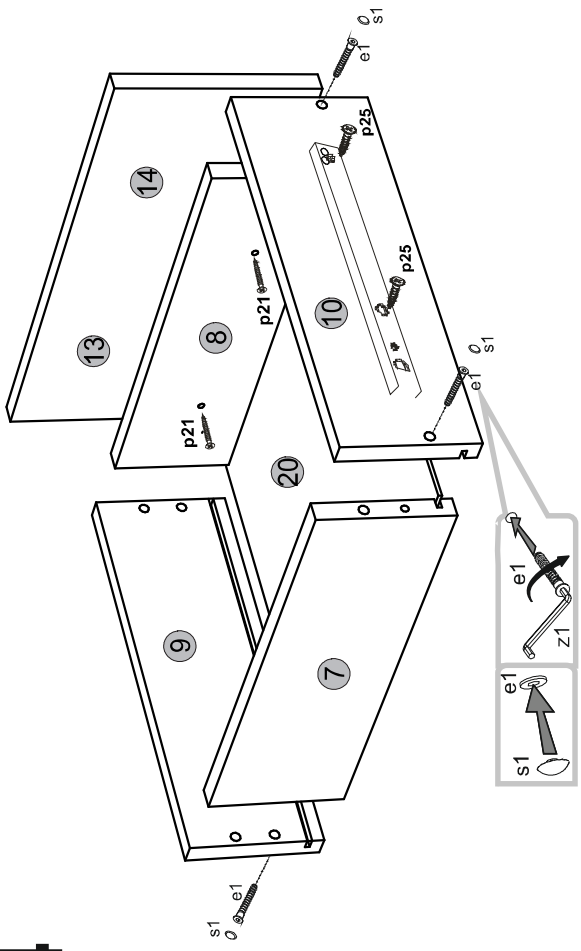
# 9



# 10



14



13

