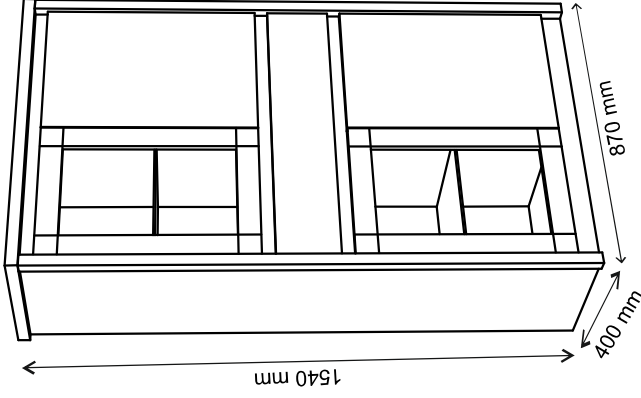
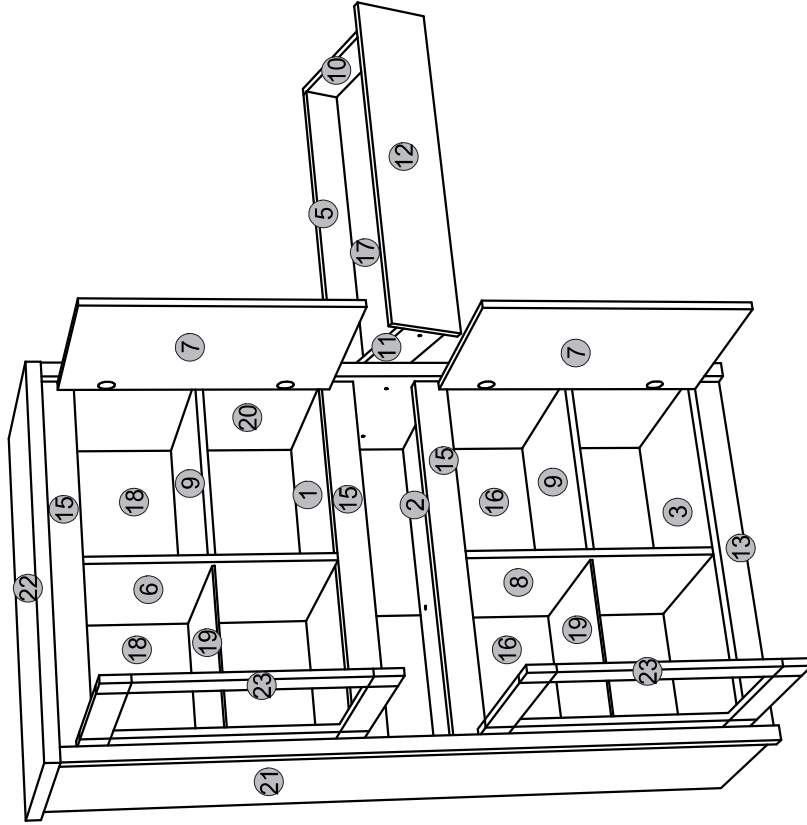
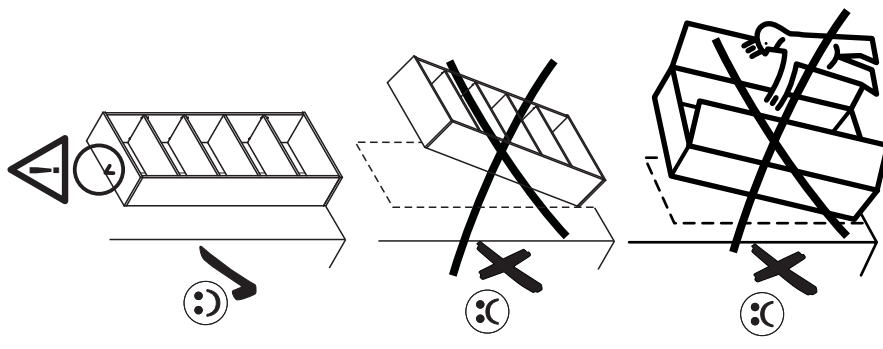
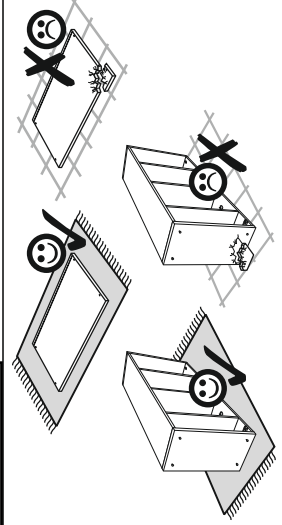
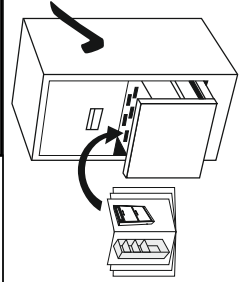
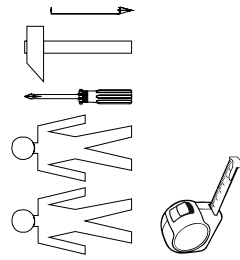
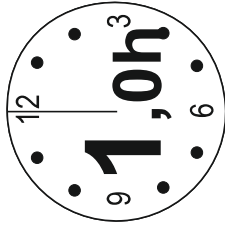
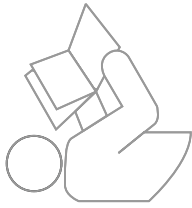


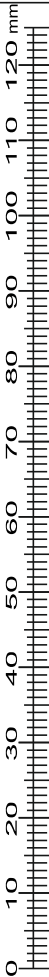
# Installation manual

NORTON: WIT\_2W2D1S

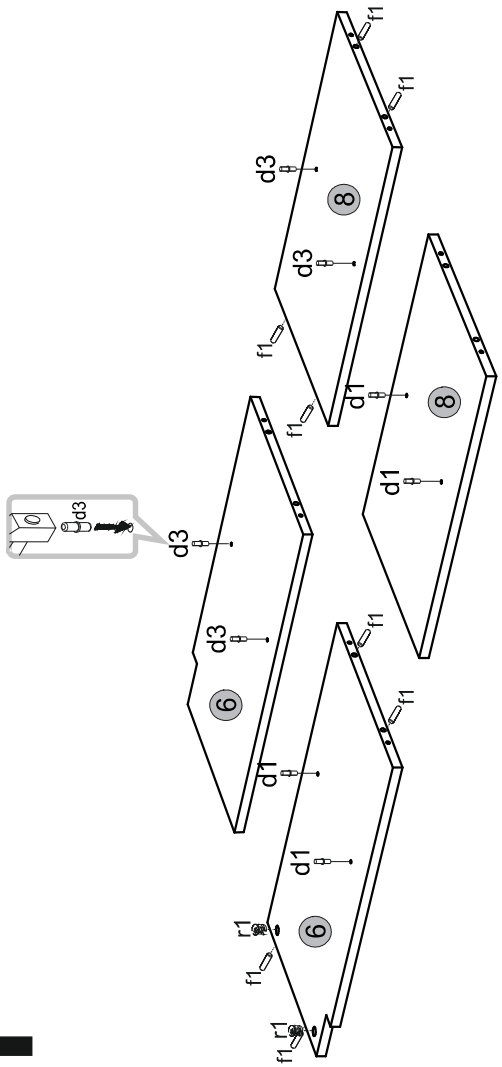


Element symbol	Dimensions			Code	Package
	1	16	2/2		
1	804	339	16	K-326	2/2
2	804	339	16	K-327	2/2
3	804	369	16	K-328	1/1
4	747	100	16	K-533	2/2
5	747	100	16	K-534	2/2
6	617	369	16	K-134	1/1
7	582	398	16	K-004	3/3
8	549	369	16	K-135	1/1
9	394	369	16	K-329	1/1
10	350	100	16	K-535	2/2
11	350	100	16	K-536	2/2
12	170	798	16	K-016	3/3
13	60	804	16	K-428	2/2
14	60	318	16	K-429	2/2
15	60	804	30	K-430	2/2
16	832	410	3	K-624	2/2
17	761	332	3	K-625	2/2
18	635	410	3	K-626	2/2
19	394	369	5	K-330	1/1
20	1502	398	16/32	K-136	1/1
21	1502	398	16/32	K-137	1/1
22	870	400	16/32/32	K-211	2/2
23	582	398	16	K-017	4/4

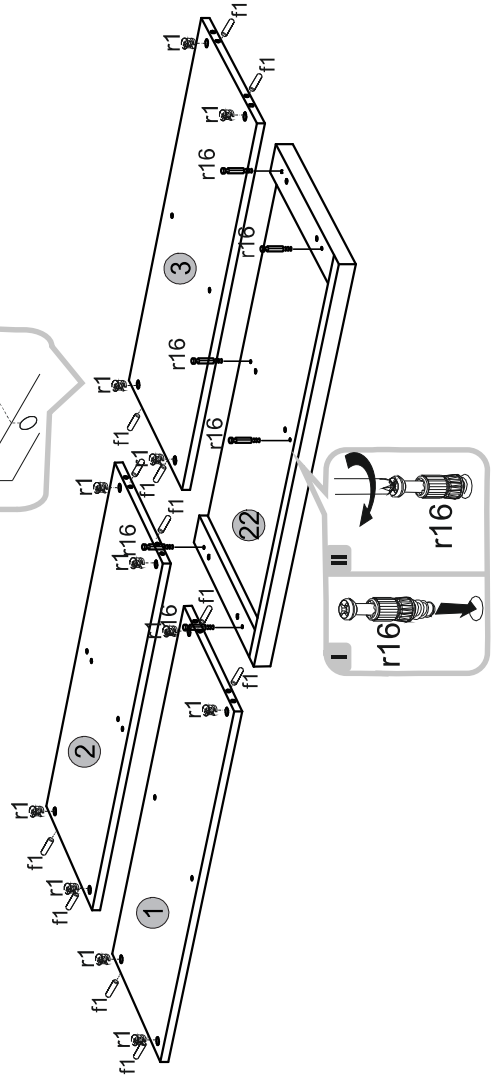
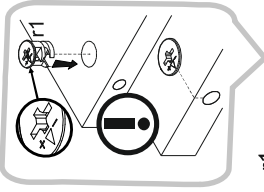
1x	6x560 mm	p17	1x	6x	p52
1x	L 30mm	n14	8x	8x17 mm	d3
20x	d16	30x	1x	8x17 mm	f3
8x	d16	s2	2x	8x17 mm	p21
4x	d143	b119	44x	8x17 mm	r1
		k1	20x	8x17 mm	r16
			12x	8x17 mm	s1
			1x	6x31.50T	



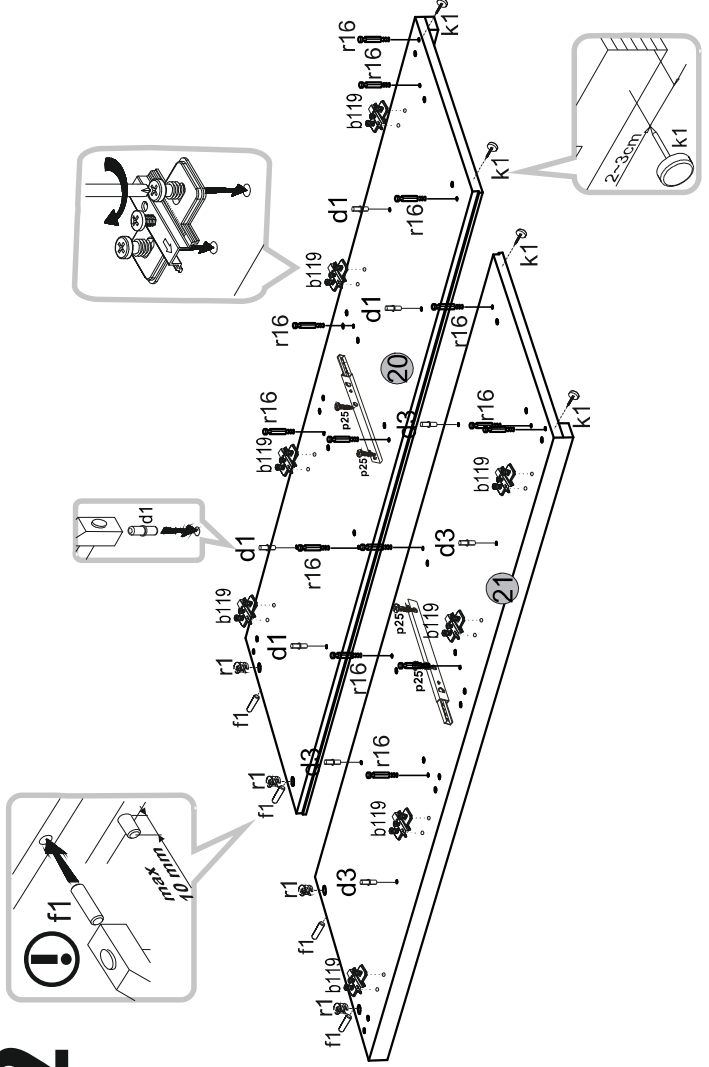
1



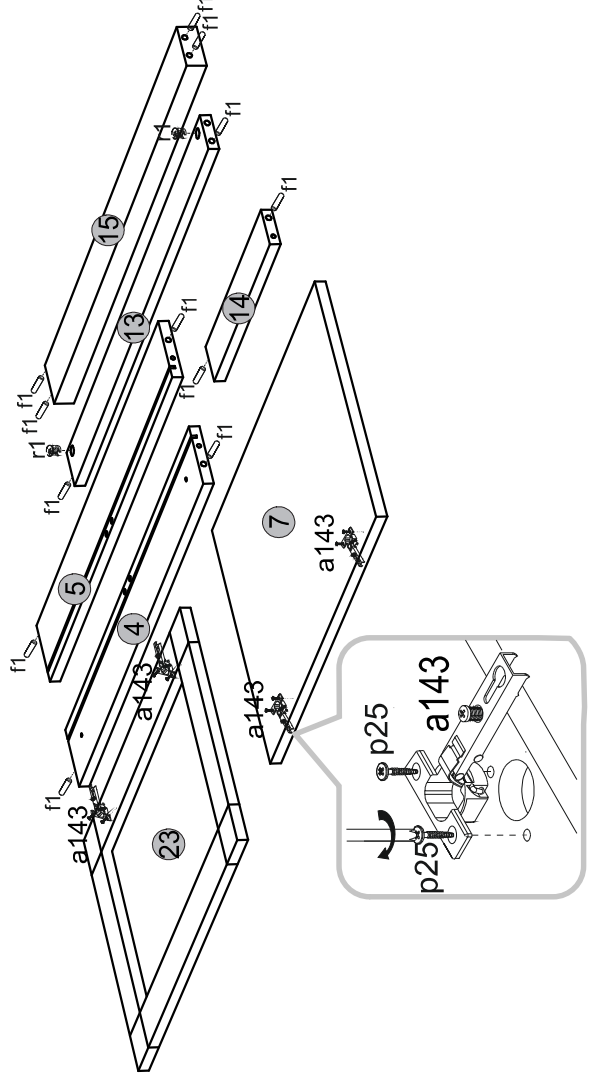
3



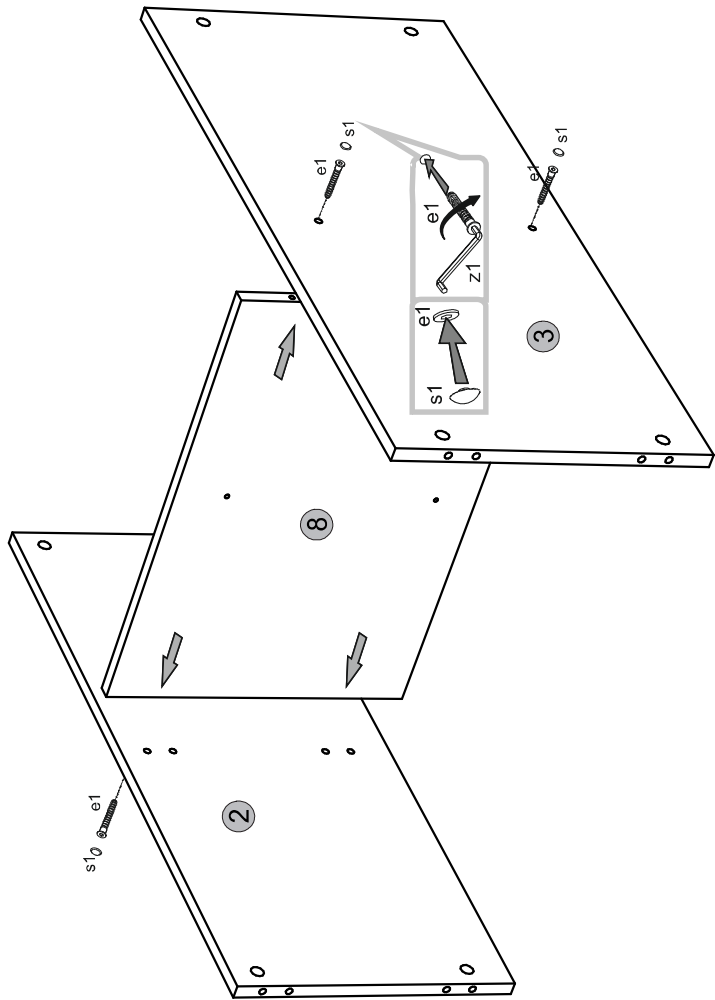
2



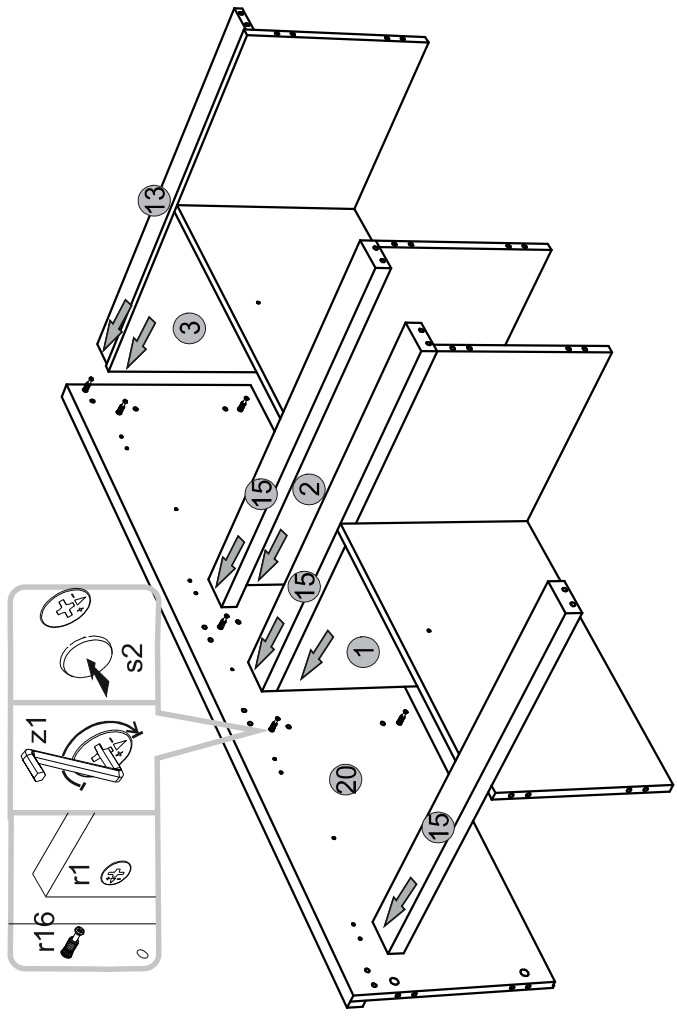
4



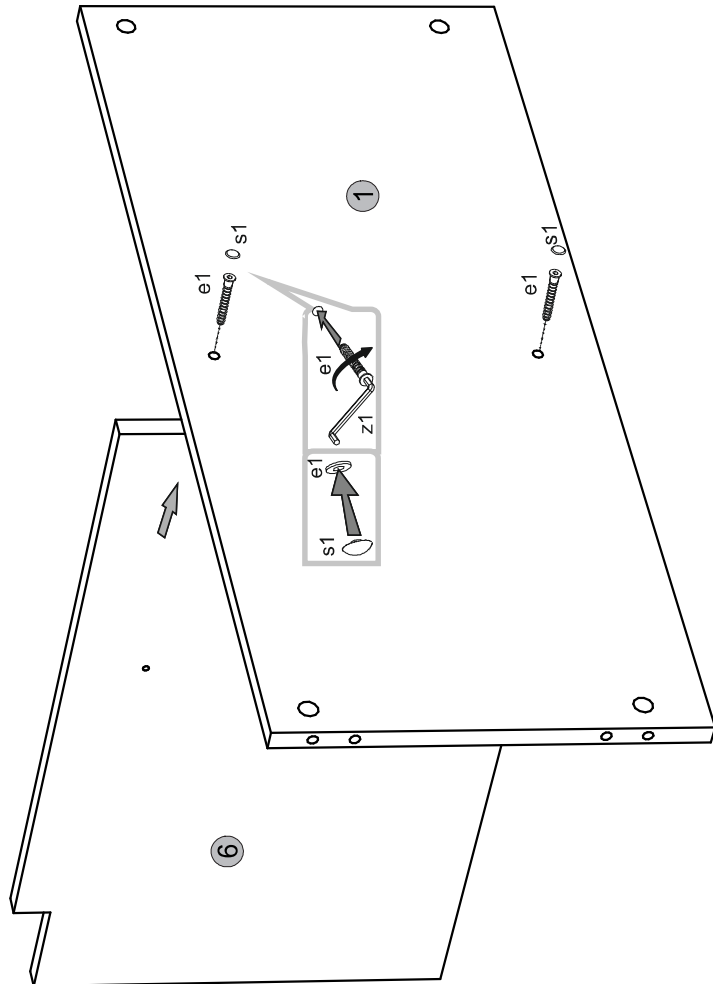
5



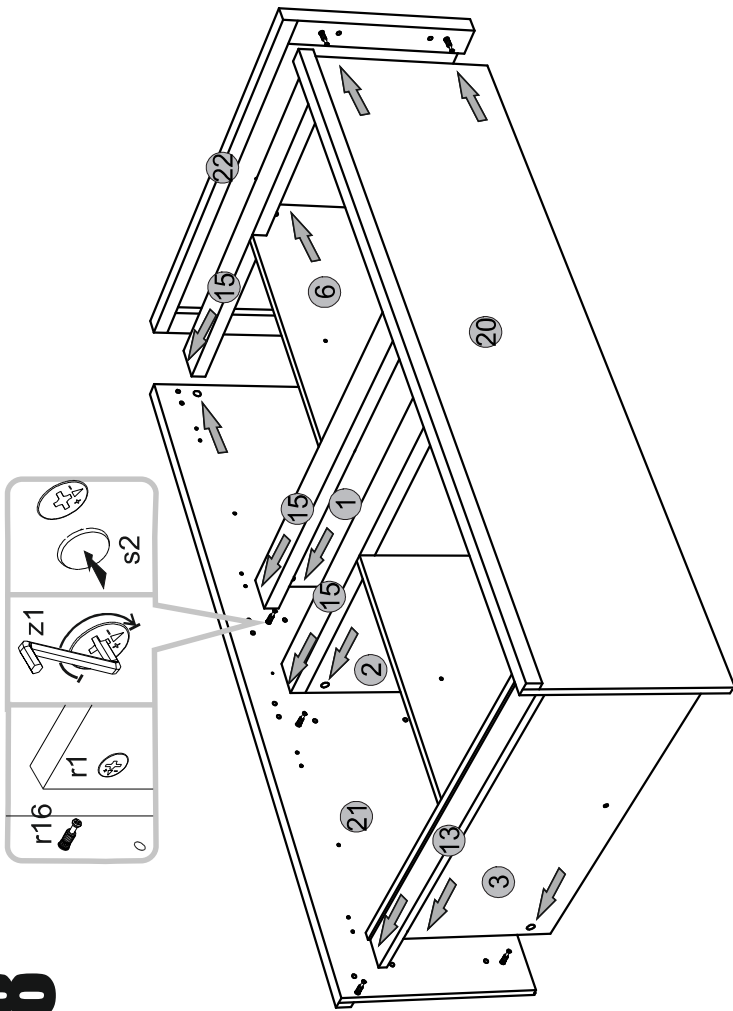
7



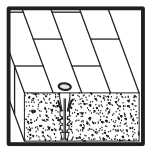
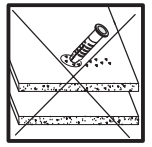
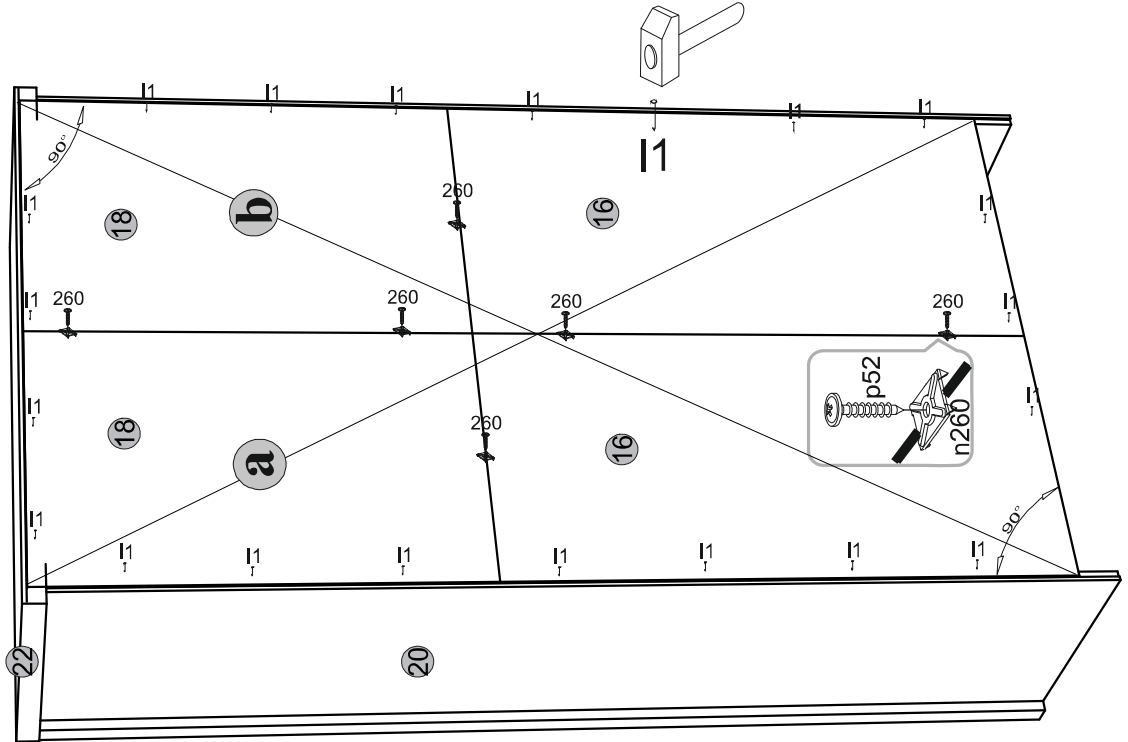
6



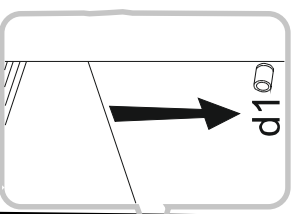
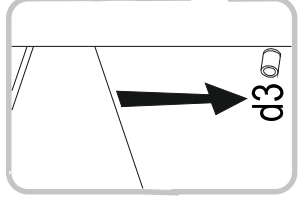
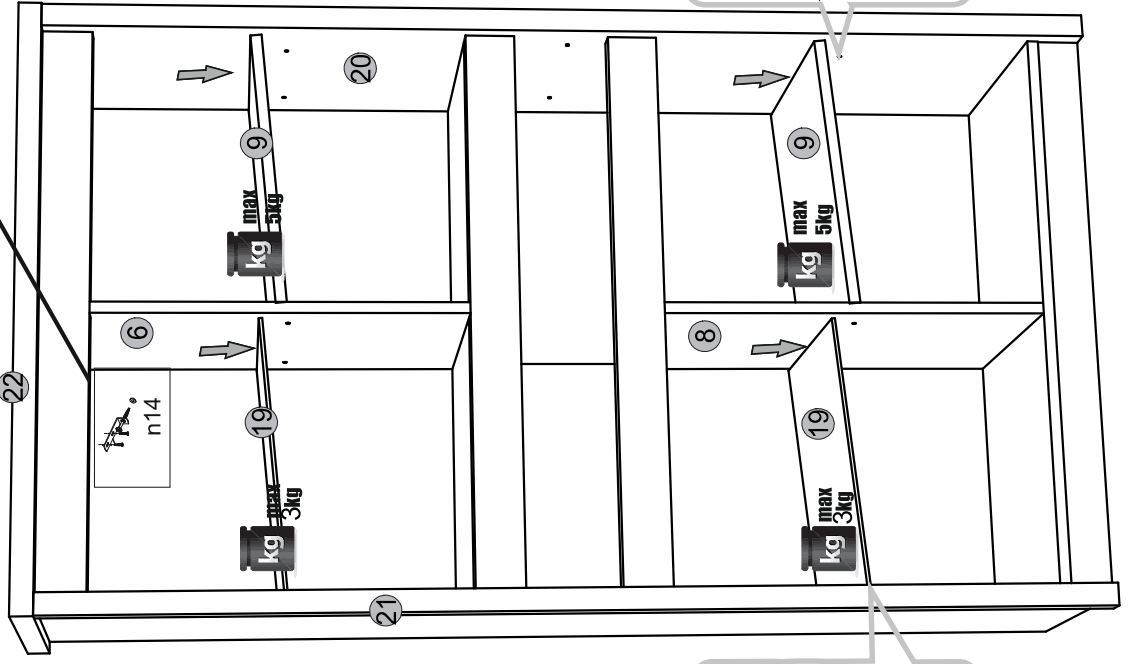
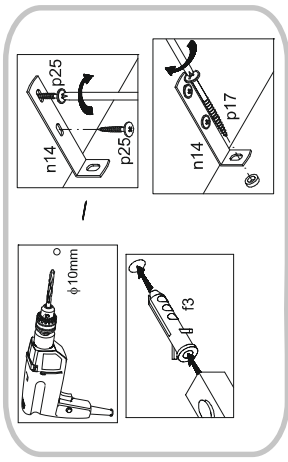
8



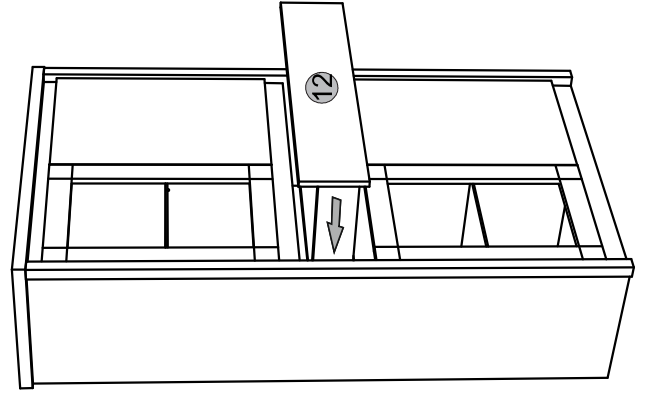
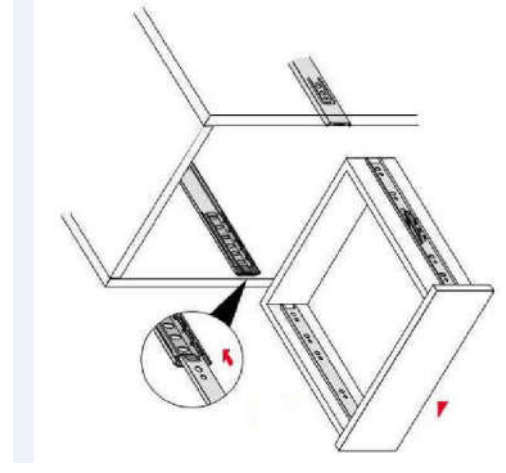
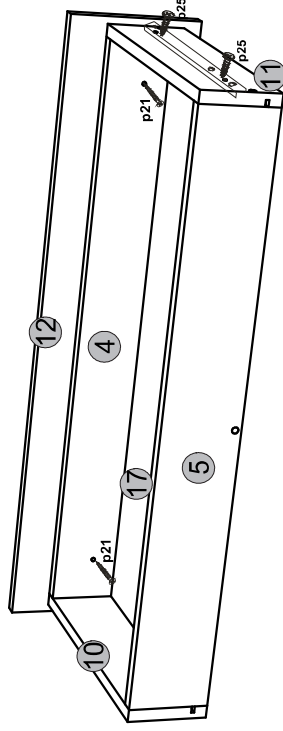
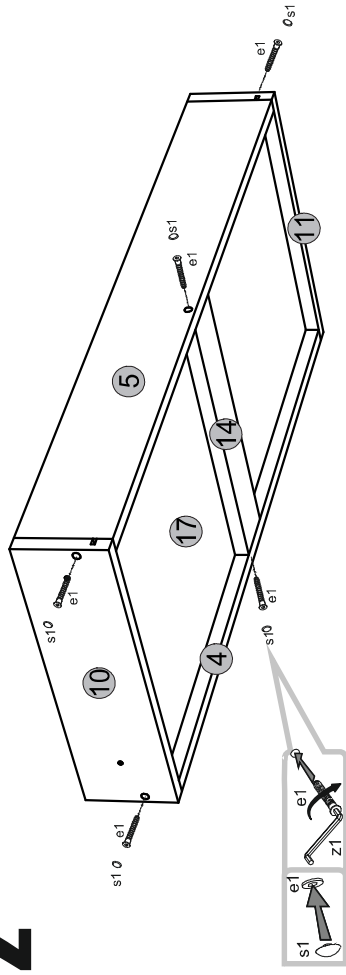
! a=b



! kg max. →



# 12



# 11

