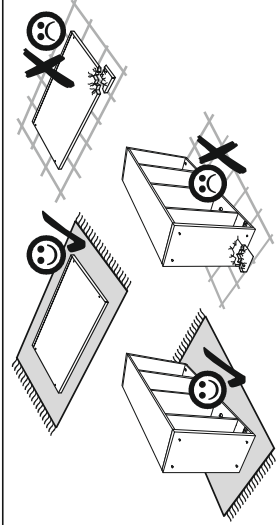
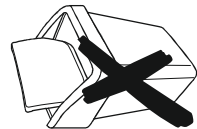
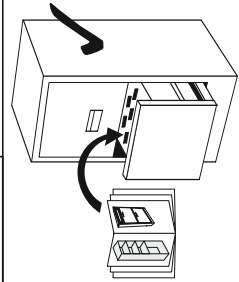
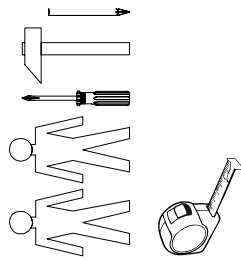
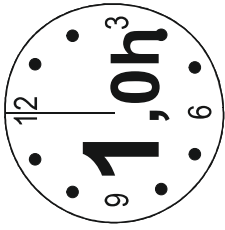
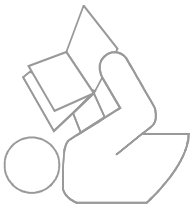


Instalation manual

NORTON: LOZ_160_140_120



LOZ_160

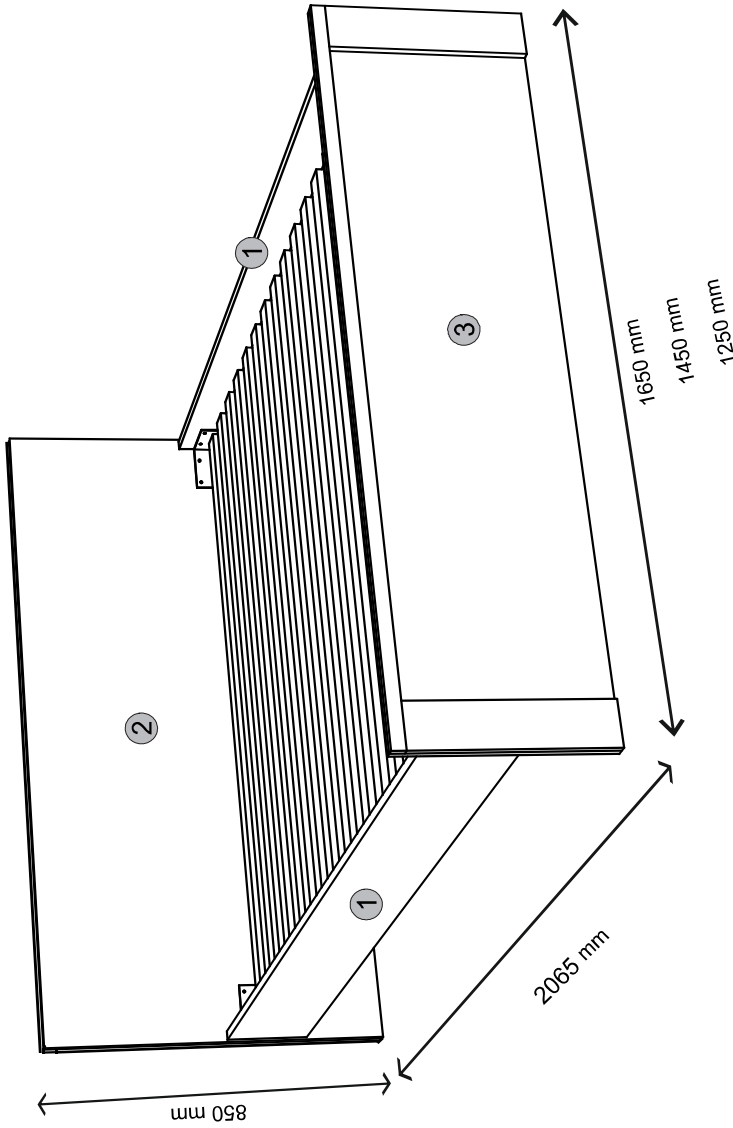
Element symbol	Dimensions			Code	Package
	200	2000	22		
1	200	2000	22	NS-101A	2/2
2	850	1654	16/32	NS-103A	1/1
3	455	1654	16/32	NS-104A	1/1
4	1880	30	25		2/2
5	1980	70	27		2/2
6	285	70	27		2/2
7	786	2000	20		2/2

LOZ_140

Element symbol	Dimensions			Code	Package
	200	2000	22		
1	200	2000	22	NS-101A	2/2
2	850	1454	16/32	NS-130A	1/1
3	455	1454	16/32	NS-131A	1/1
4	1880	30	25		2/2
5	1980	70	27		2/2
6	285	70	27		2/2
7	686	2000	20		2/2

LOZ_120

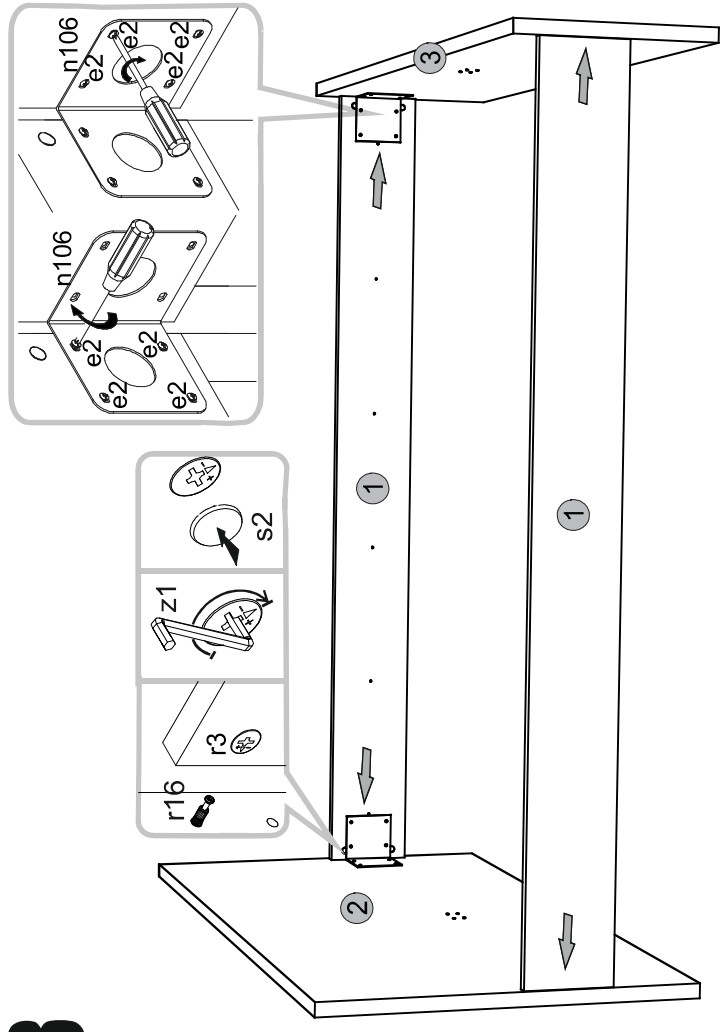
Element symbol	Dimensions			Code	Package
	200	2000	22		
1	200	2000	22	NS-101A	2/2
2	850	1254	16/32	NS-132A	1/1
3	455	1254	16/32	NS-133A	1/1
4	1880	30	25		2/2
5	1980	70	27		2/2
6	285	70	27		2/2
7	686	2000	20		2/2



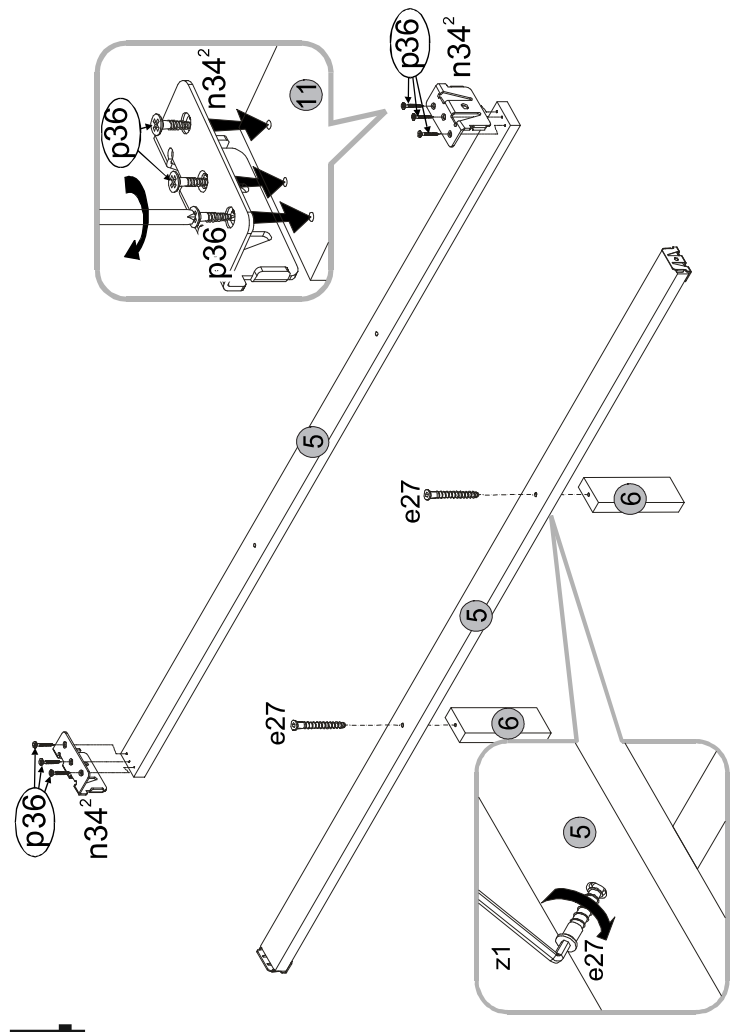
12x φ4x5 mm p62	12x φ4x30 mm p21	8x φ16	8x φ5x1.5 mm #16	8x r3	8x r16
4x n106	8x φ4x3 mm e3	1x z1	1x z1	1x z1	2x φ7x30 mm e27
12x φ6x30 mm f1	32x φ6x33 mm e2	2x n34	2x n34	6x k1	2x n34



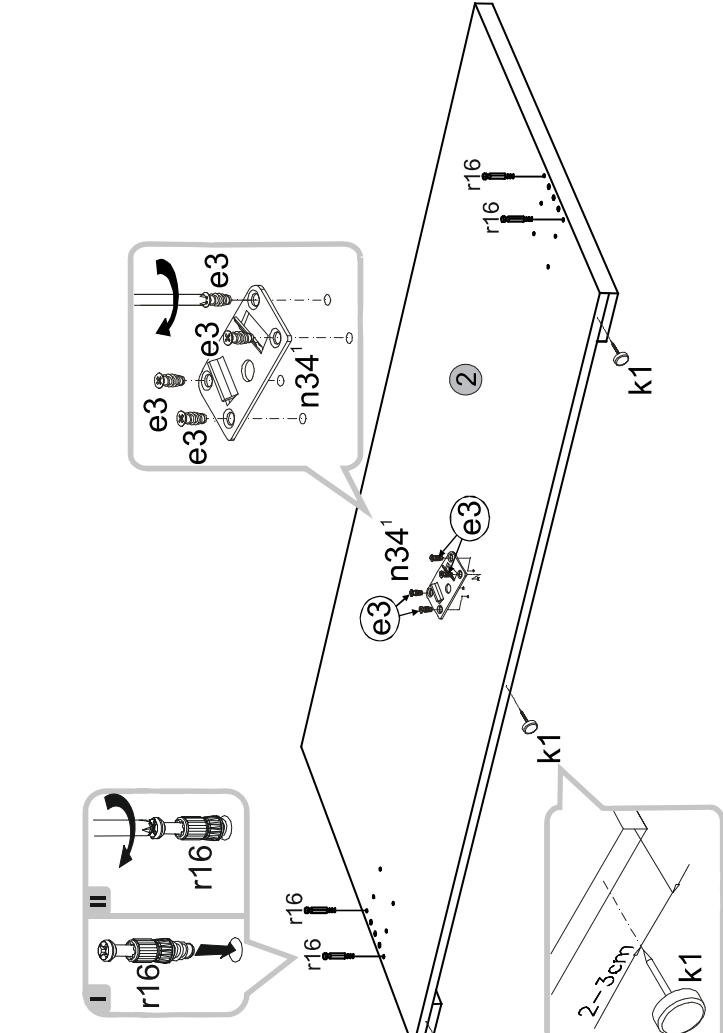
3



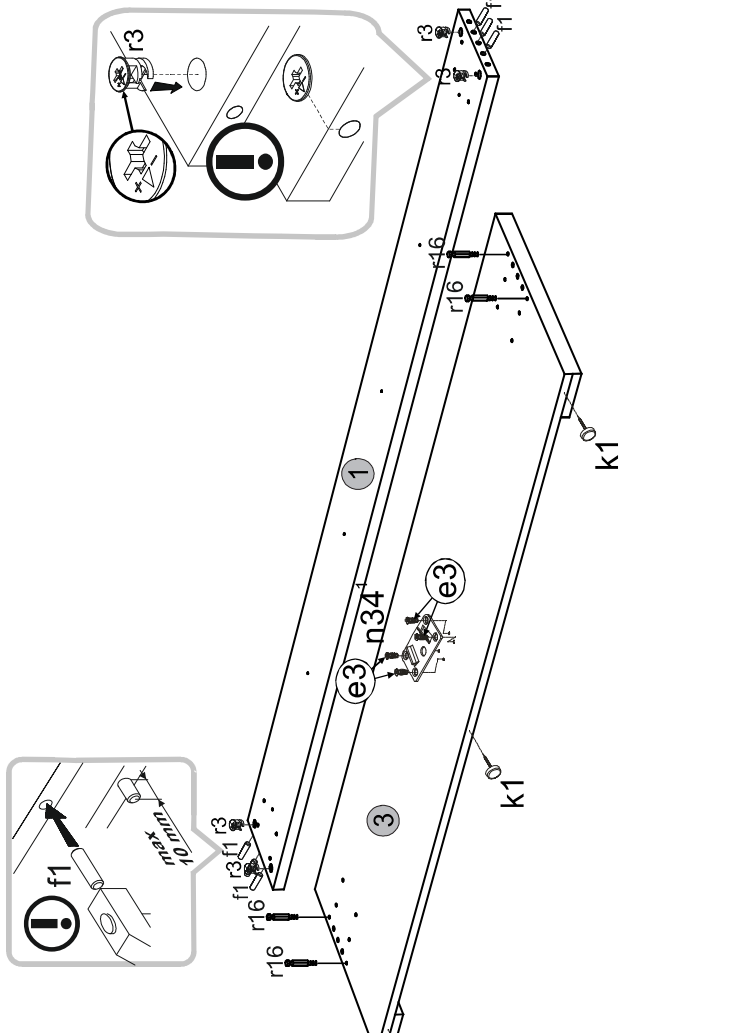
4

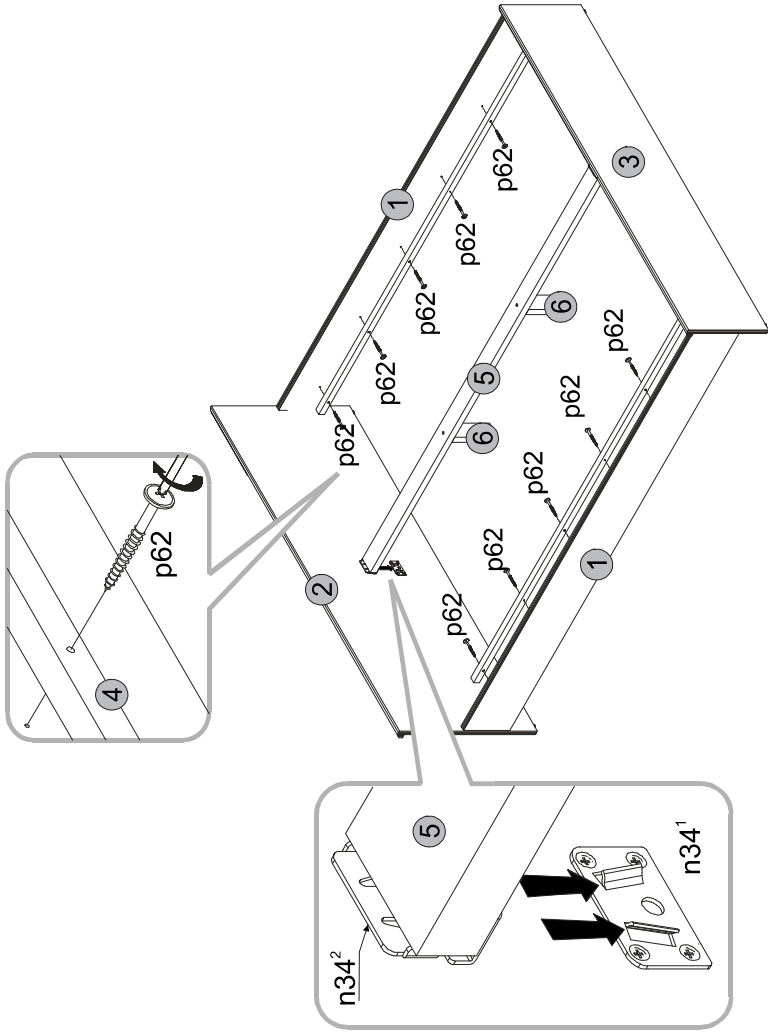


1

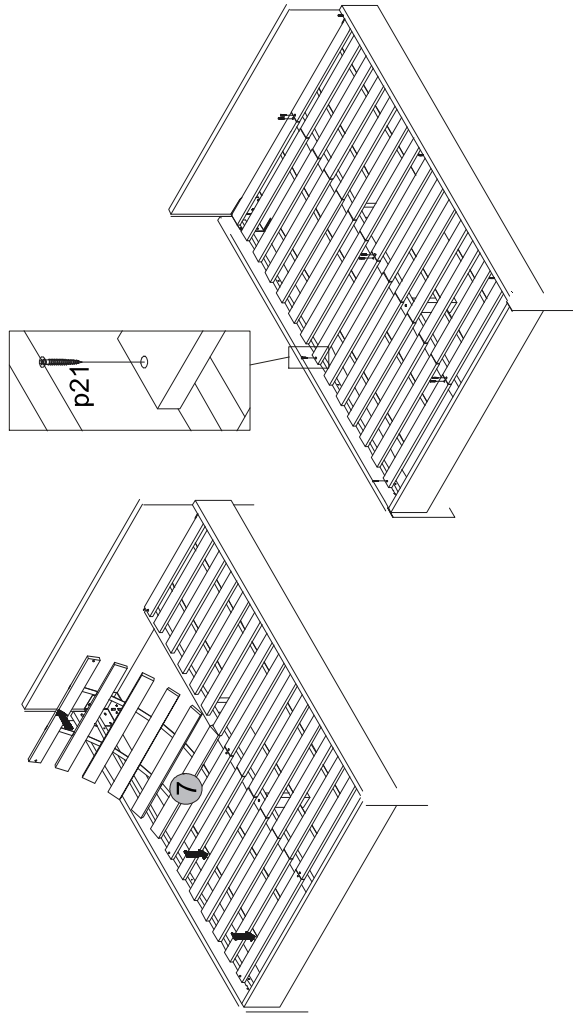


2





5



6

