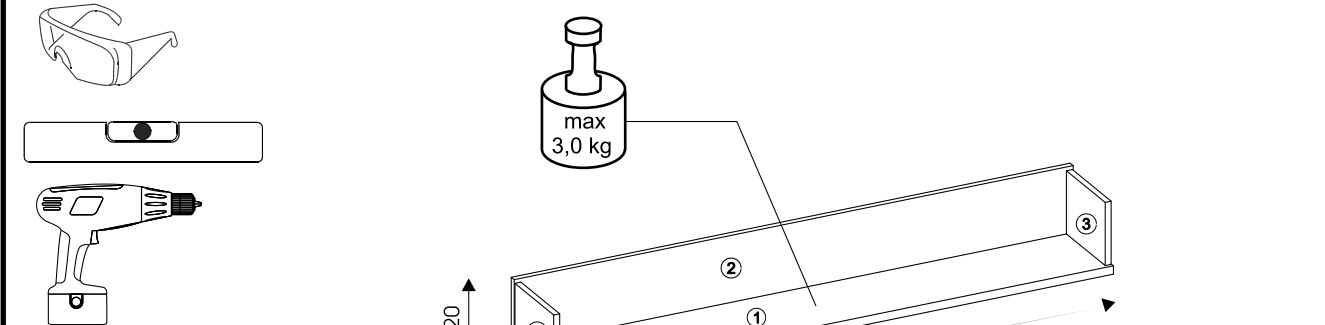
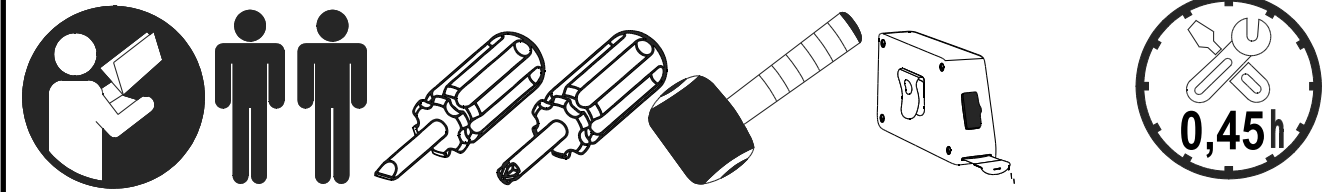
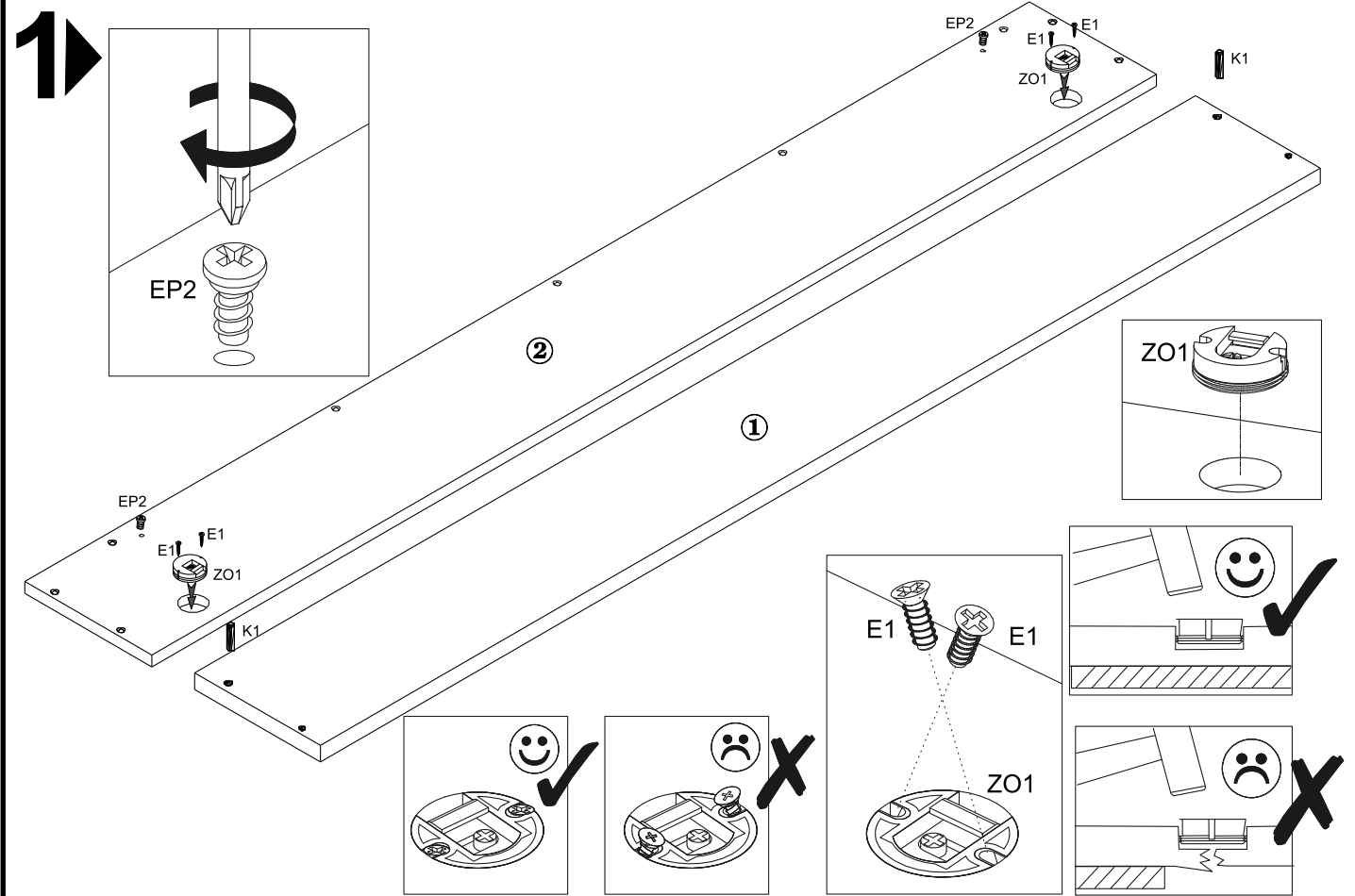
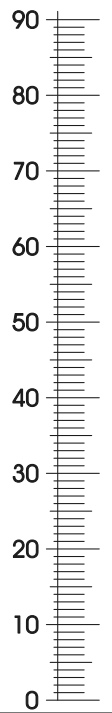


# MODELL: SLO9



|   |          |     |
|---|----------|-----|
| 3 | 200x174  | 1/1 |
| 2 | 1530x218 | 1/1 |
| 1 | 1528x218 | 1/1 |



|                      |                   |                   |                  |                     |                     |           |                  |           |
|----------------------|-------------------|-------------------|------------------|---------------------|---------------------|-----------|------------------|-----------|
| #14/112<br>2x<br>ZN3 | 5x60<br>2x<br>W26 | 10x50<br>2x<br>D1 | 5x11<br>4x<br>E1 | 6,4x50<br>11x<br>K5 | 6,3x13<br>2x<br>EP2 | 2x<br>ZO1 | 8x30<br>2x<br>K1 | 1x<br>K20 |
|----------------------|-------------------|-------------------|------------------|---------------------|---------------------|-----------|------------------|-----------|

