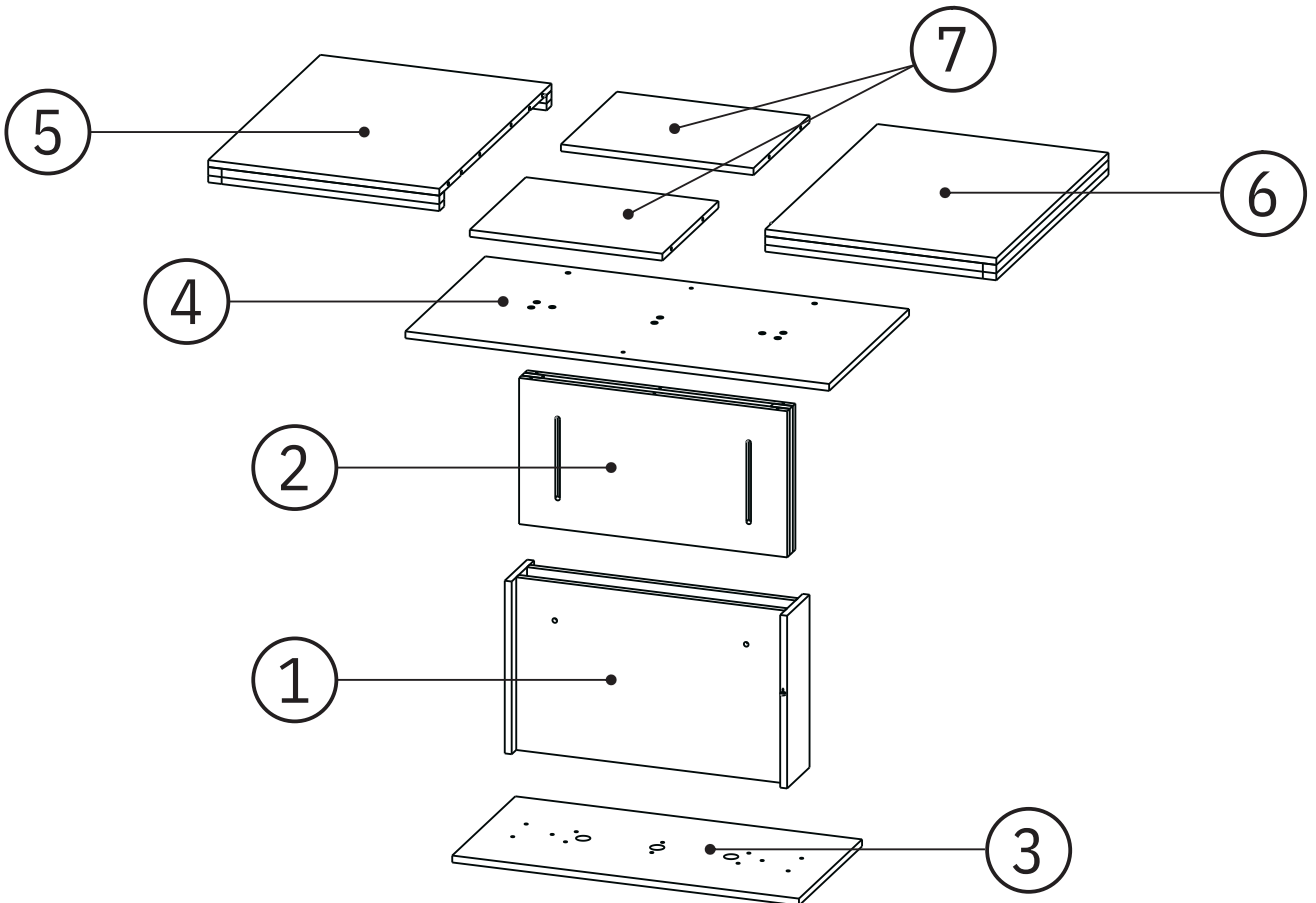
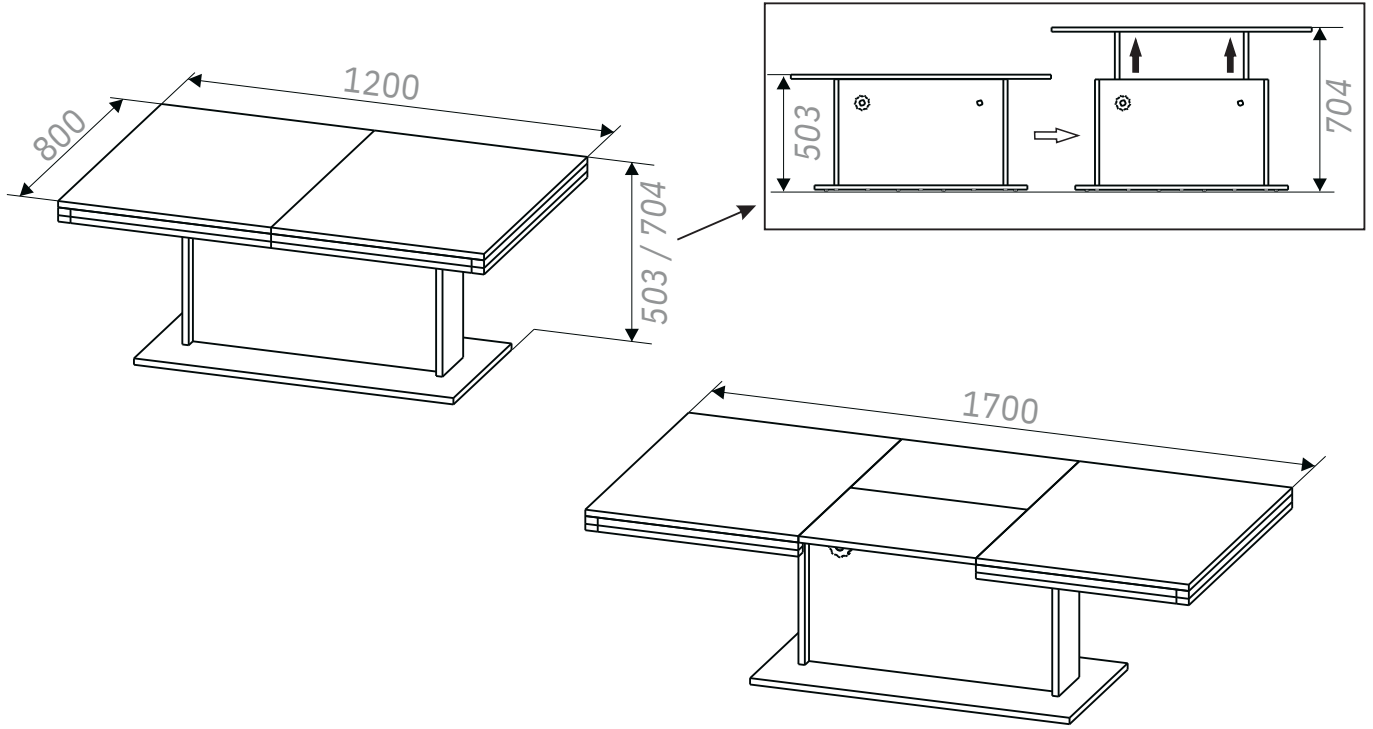
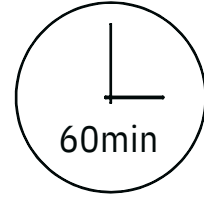
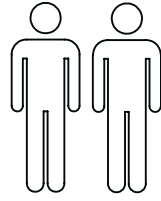
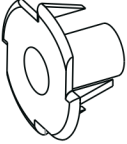
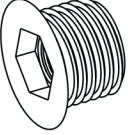
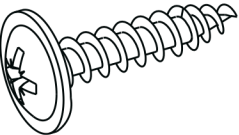
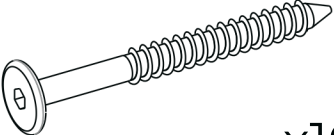
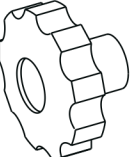

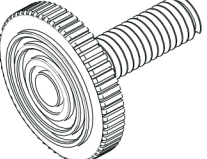
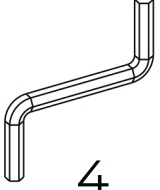

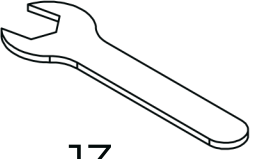
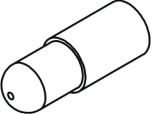


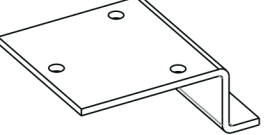
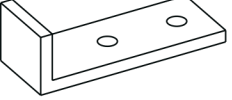
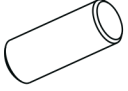
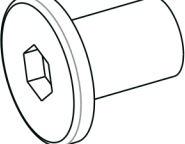
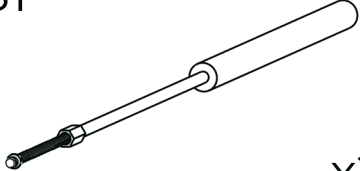
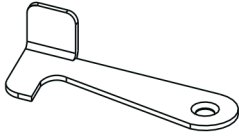
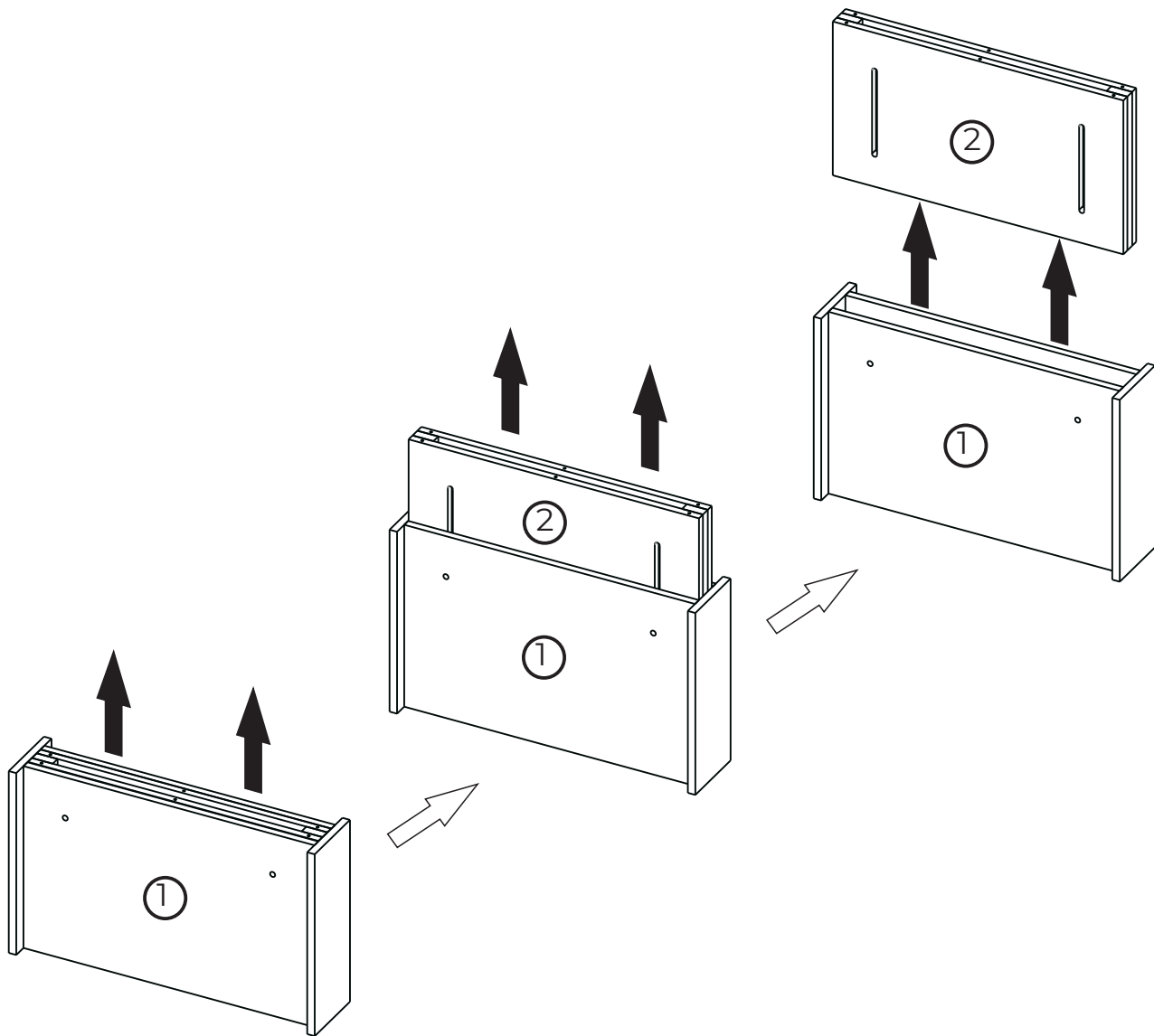


Model: HL10/NILAS

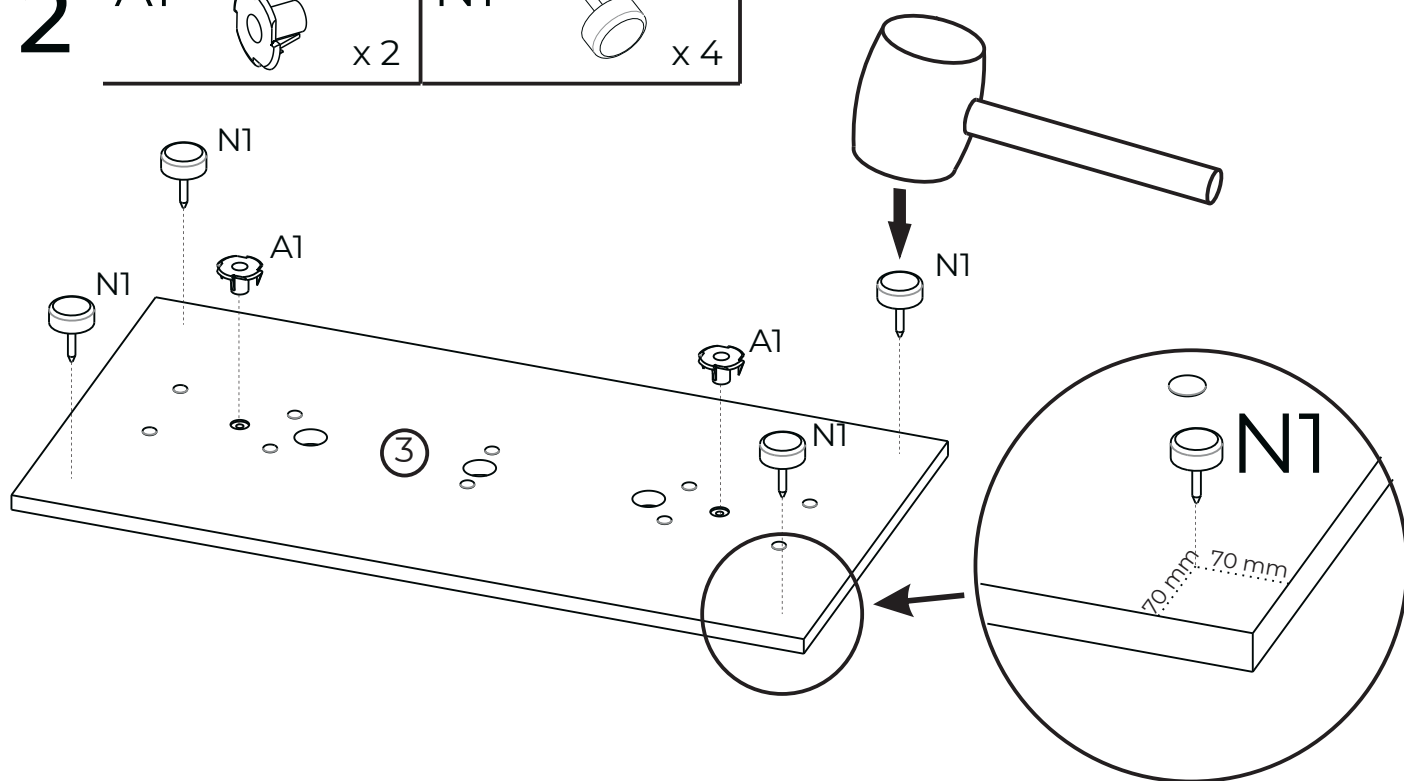


| | | |
|---|--|---|
| <p>A1</p>  <p>x2</p> | <p>A17</p>  <p>x2</p> | <p>C5</p>  <p>x36</p> |
| <p>C6</p>  <p>x16</p> | <p>D1</p>  <p>x2</p> | <p>D4</p>  <p>x2</p> |
| <p>D6</p>  <p>x2</p> | <p>K1</p>  <p>4 x1</p> | <p>K3</p>  <p>6 x1</p> |
| <p>K5</p>  <p>13 x1</p> | <p>A3</p>  <p>x8</p> | <p>A2</p>  <p>x8</p> |
| <p>N1</p>  <p>x4</p> | <p>B12</p>  <p>x8</p> | <p>B6</p>  <p>x4</p> |
| <p>A5</p>  <p>x2</p> | <p>A11</p>  <p>x2</p> | <p>S1</p>  <p>x2</p> |
| <p>A7</p>  <p>x2</p> | | |

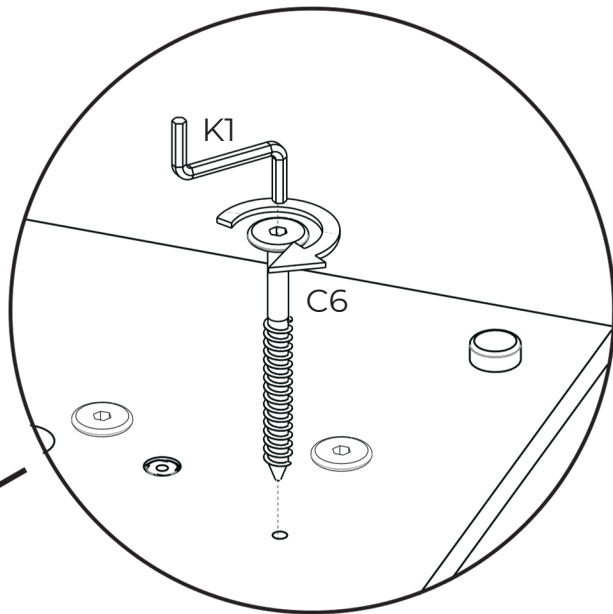
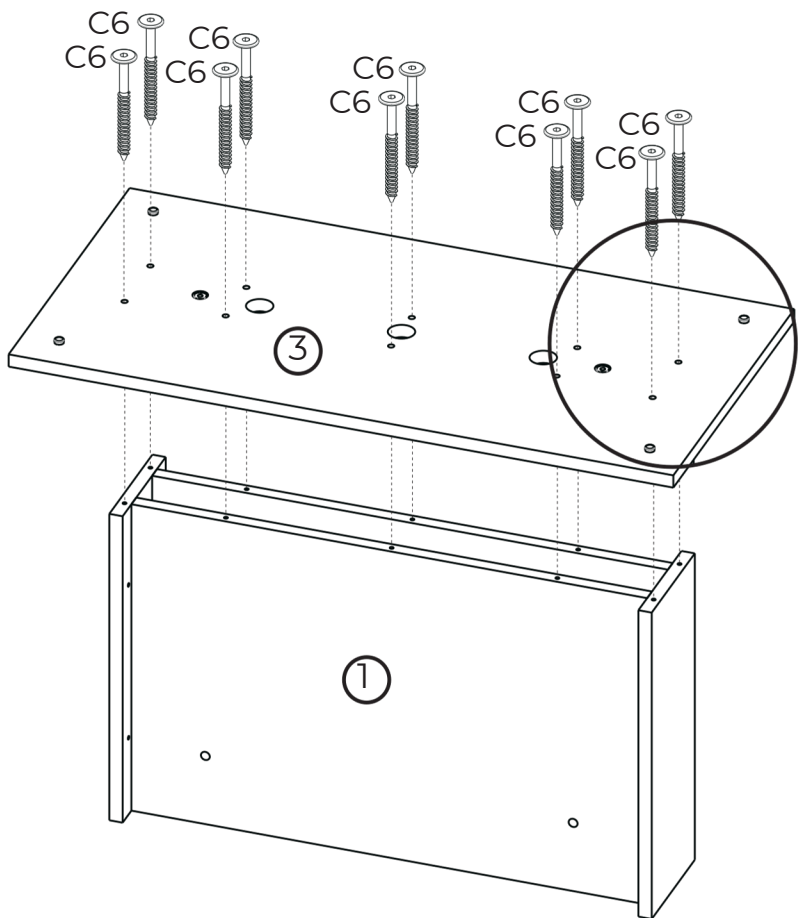
1



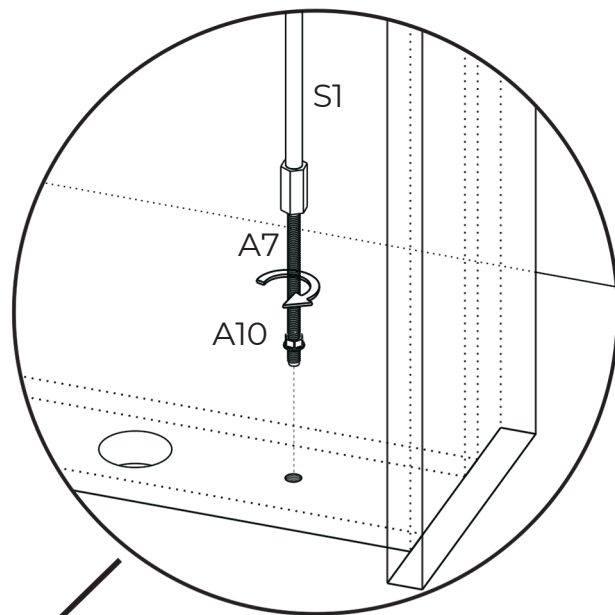
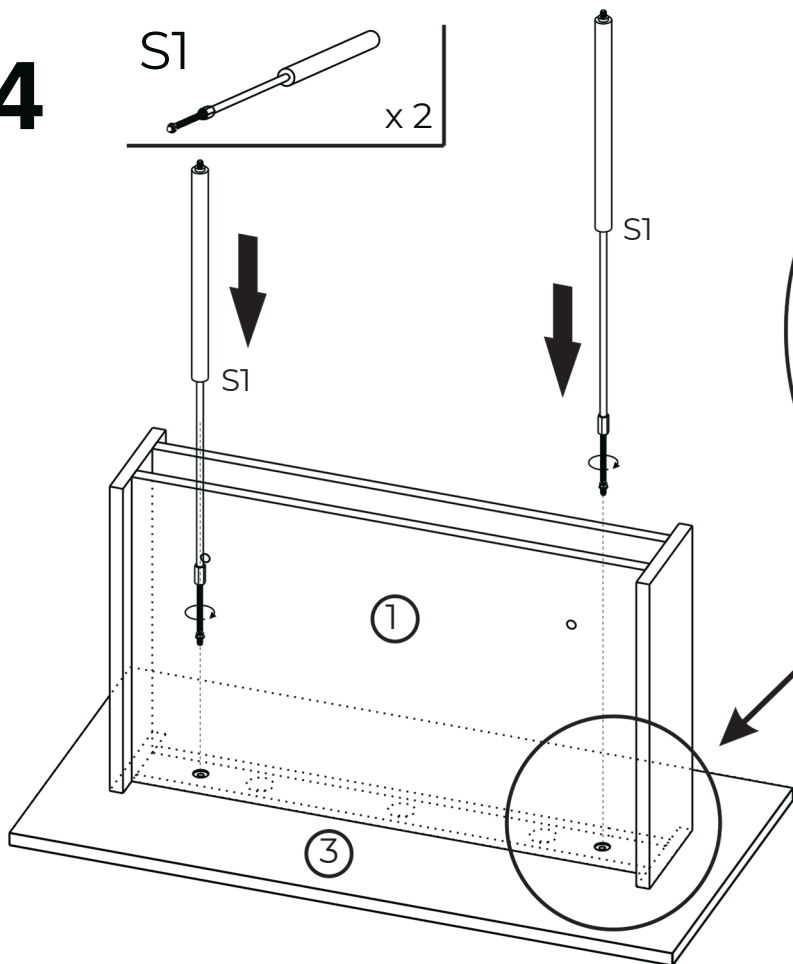
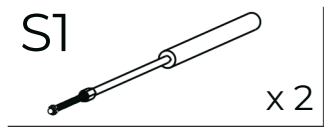
2



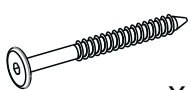


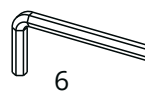

3

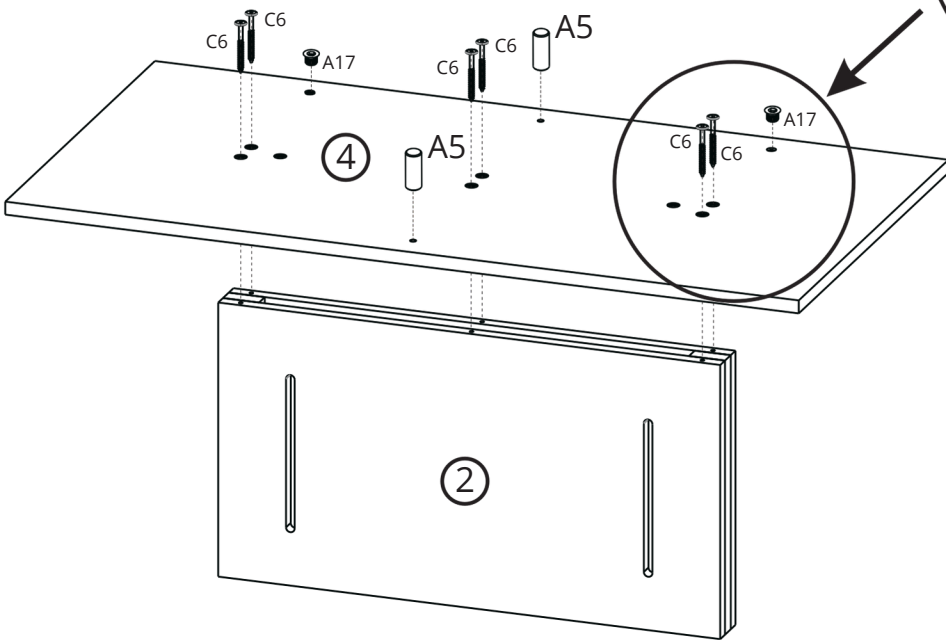
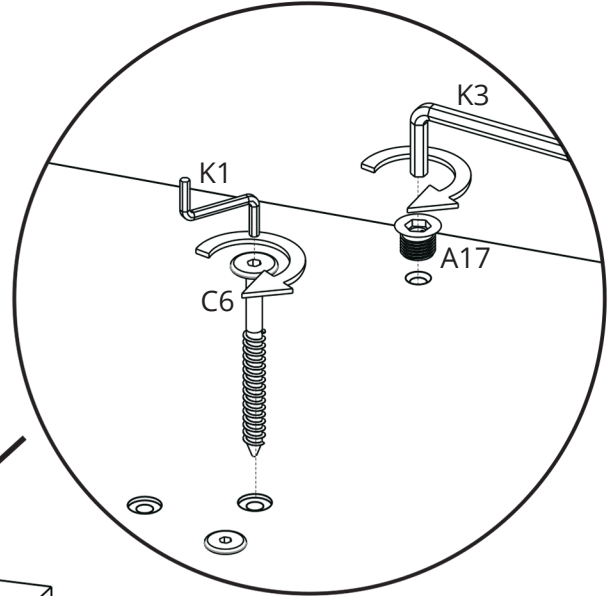


4

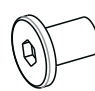


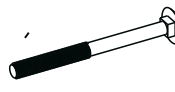


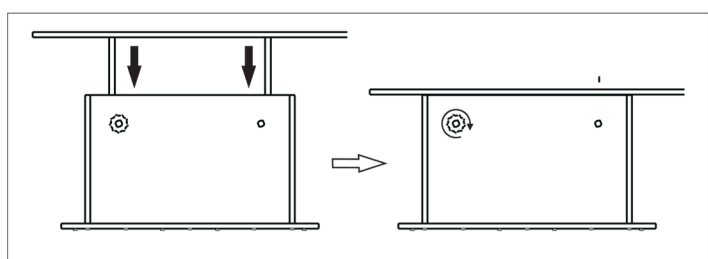
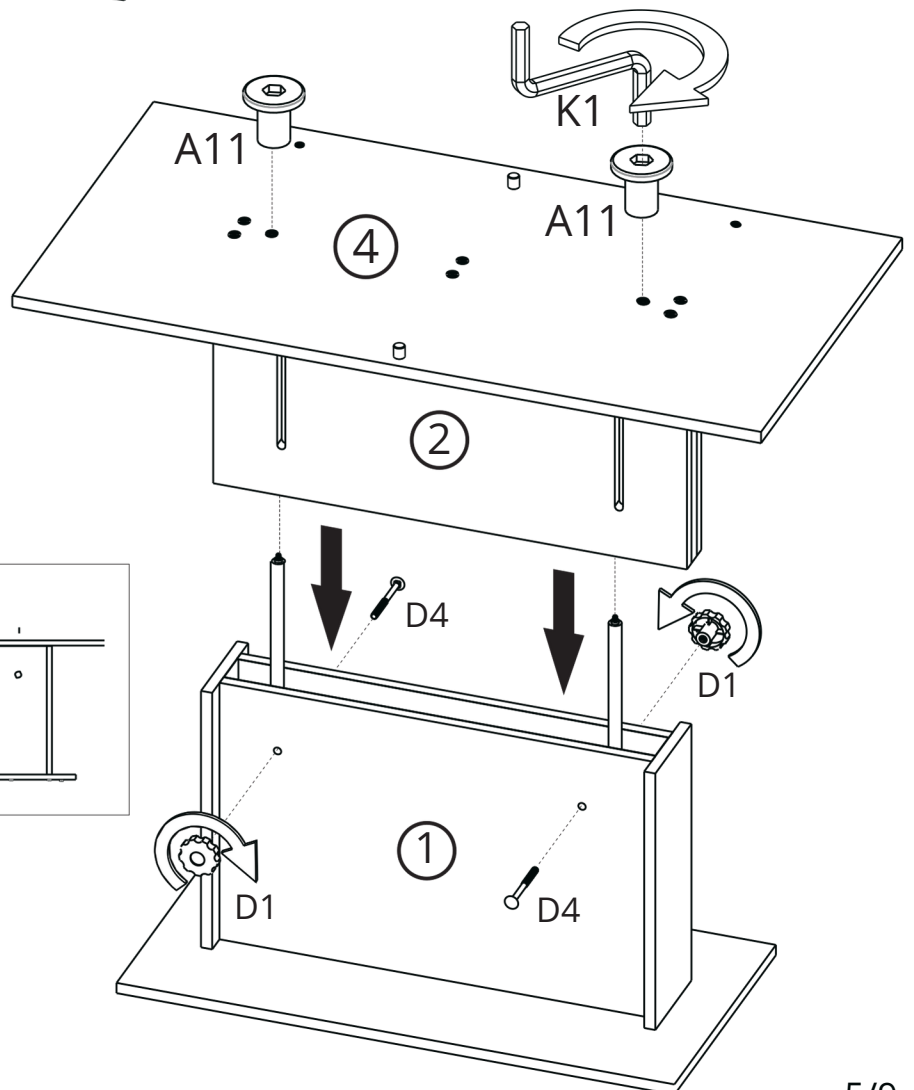
5

| | | | |
|-----|---|----|---|
| C6 |  | K1 |  |
| | x 6 | | x 1 |
| A17 |  | K3 |  |
| | x 2 | 6 | x 2 |
| A5 |  | | |
| | x 2 | | |



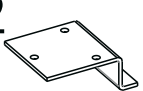
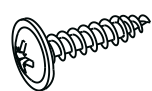


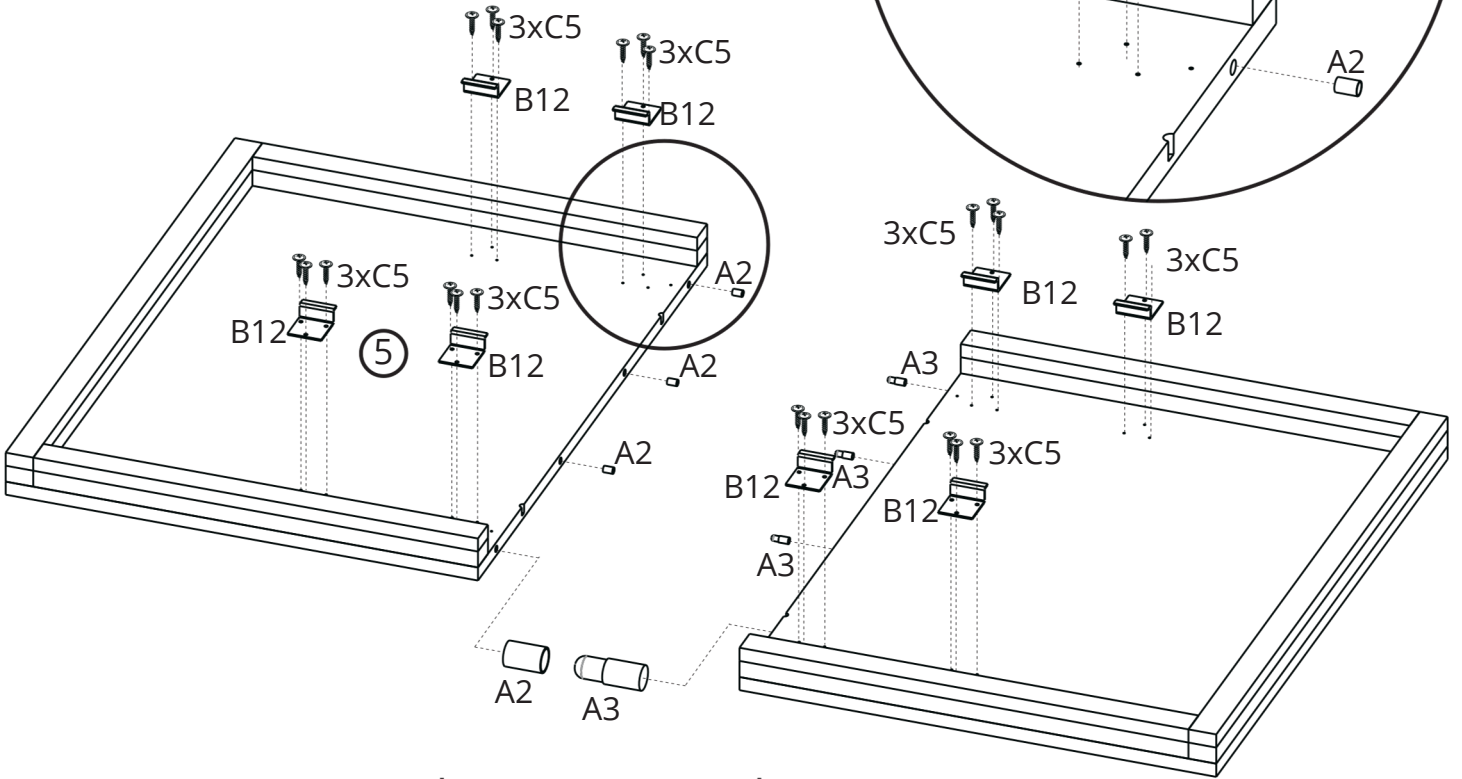
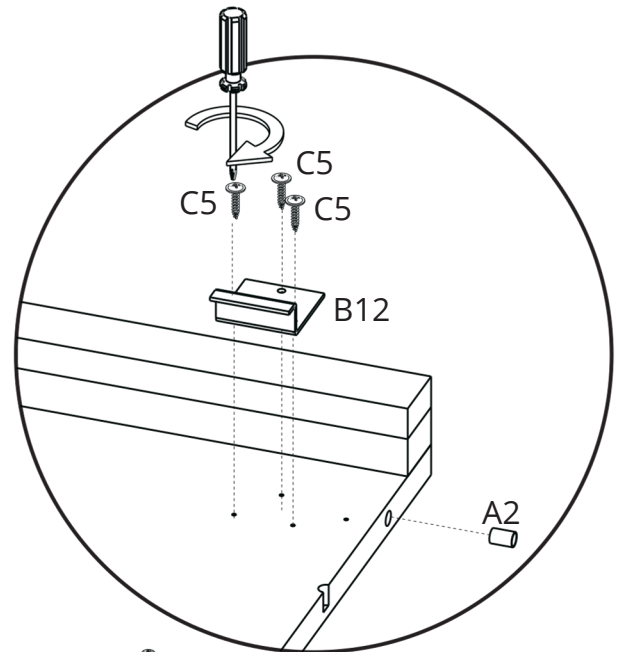
6

| | | |
|-----|---|-----|
| A11 |  | x 2 |
| K1 |  | x 1 |
| D1 |  | x 2 |
| D4 |  | x 2 |


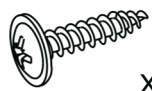


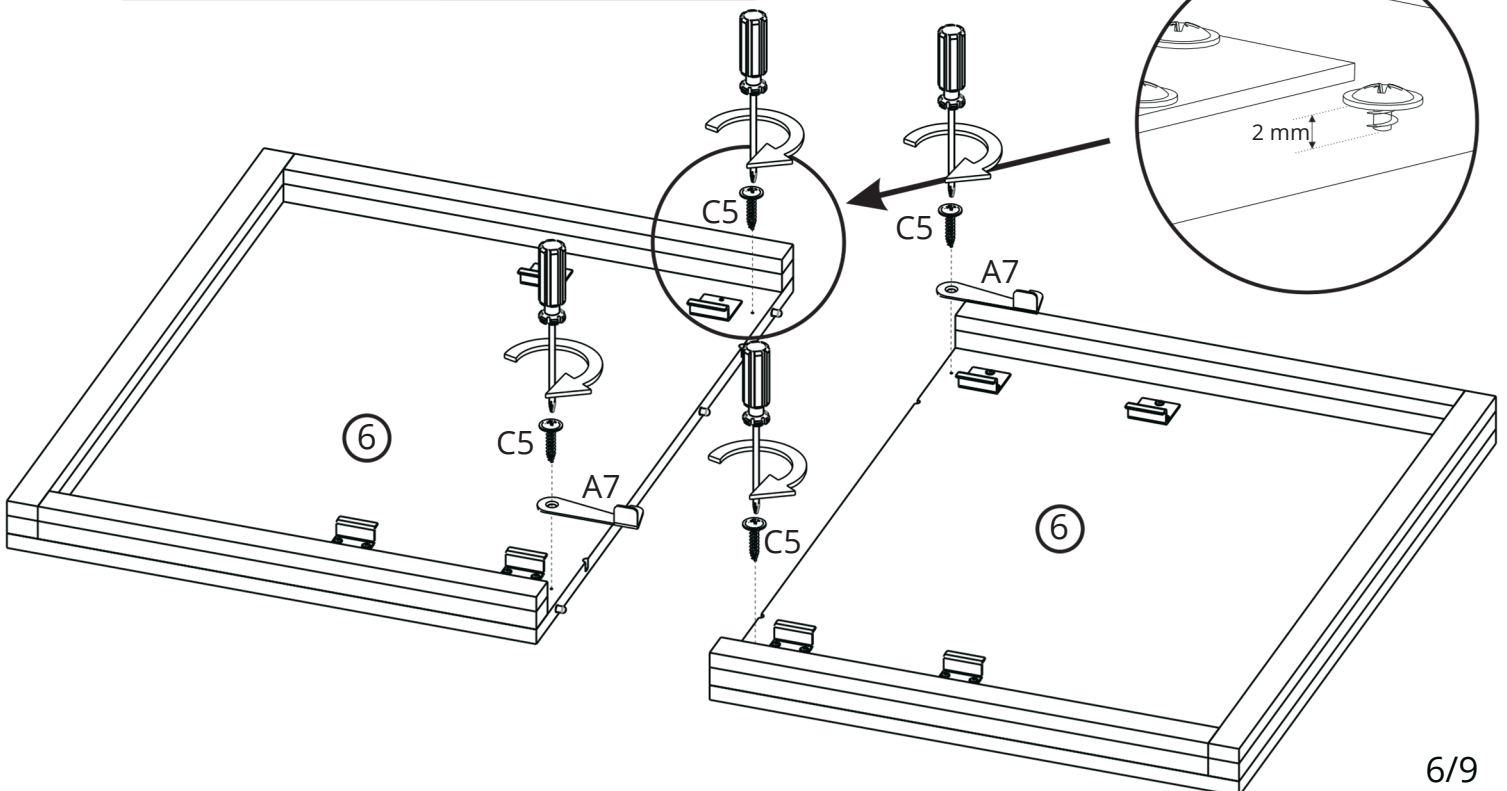
7

| | |
|---|---|
| A3  x 4 | A2  x 4 |
| B12  x 8 | C5  x 24 |

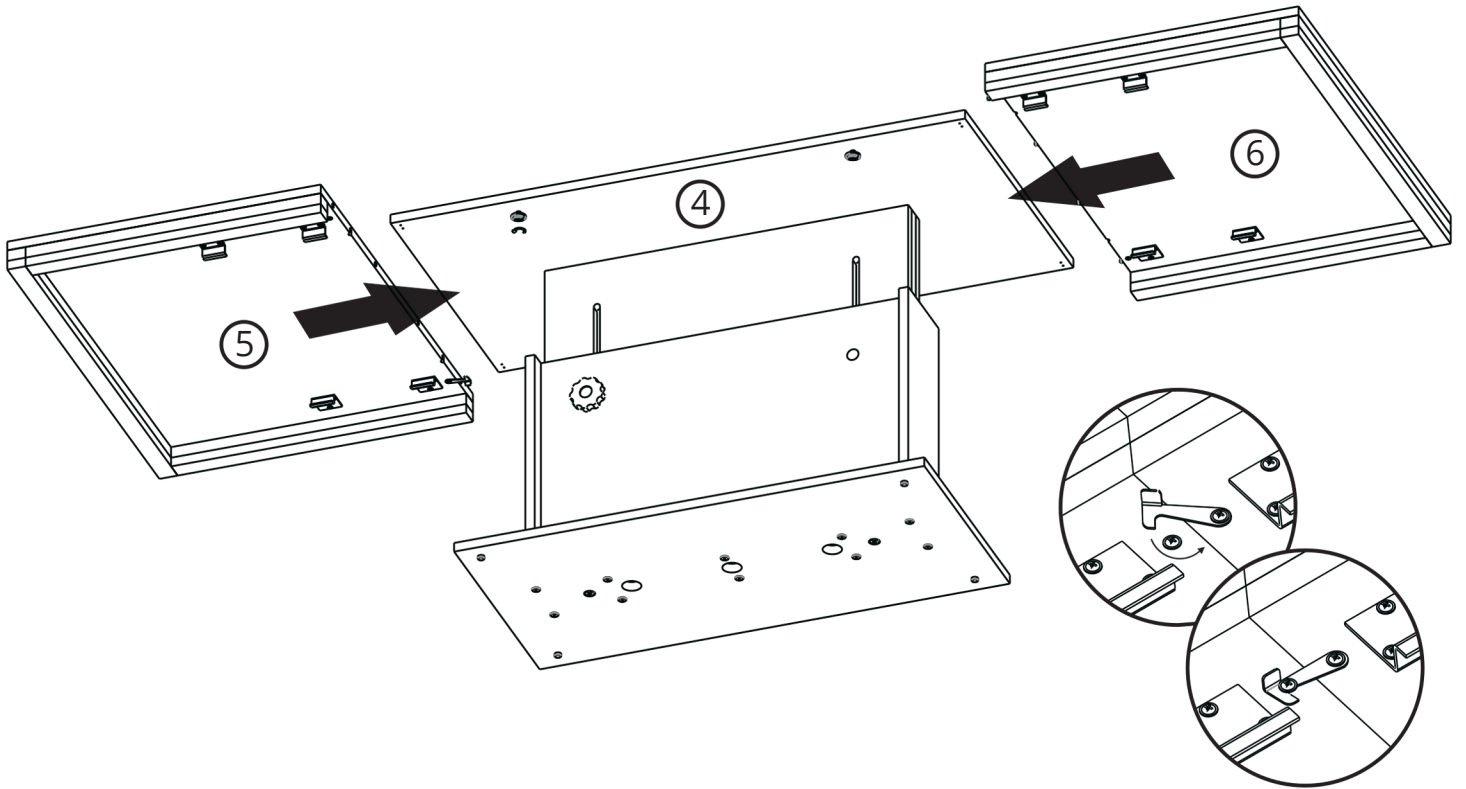


8

| | |
|--|--|
| A7  x 2 | C5  x 4 |
|--|--|

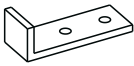


9



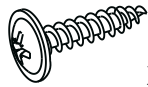
10

B6



x 4

C5

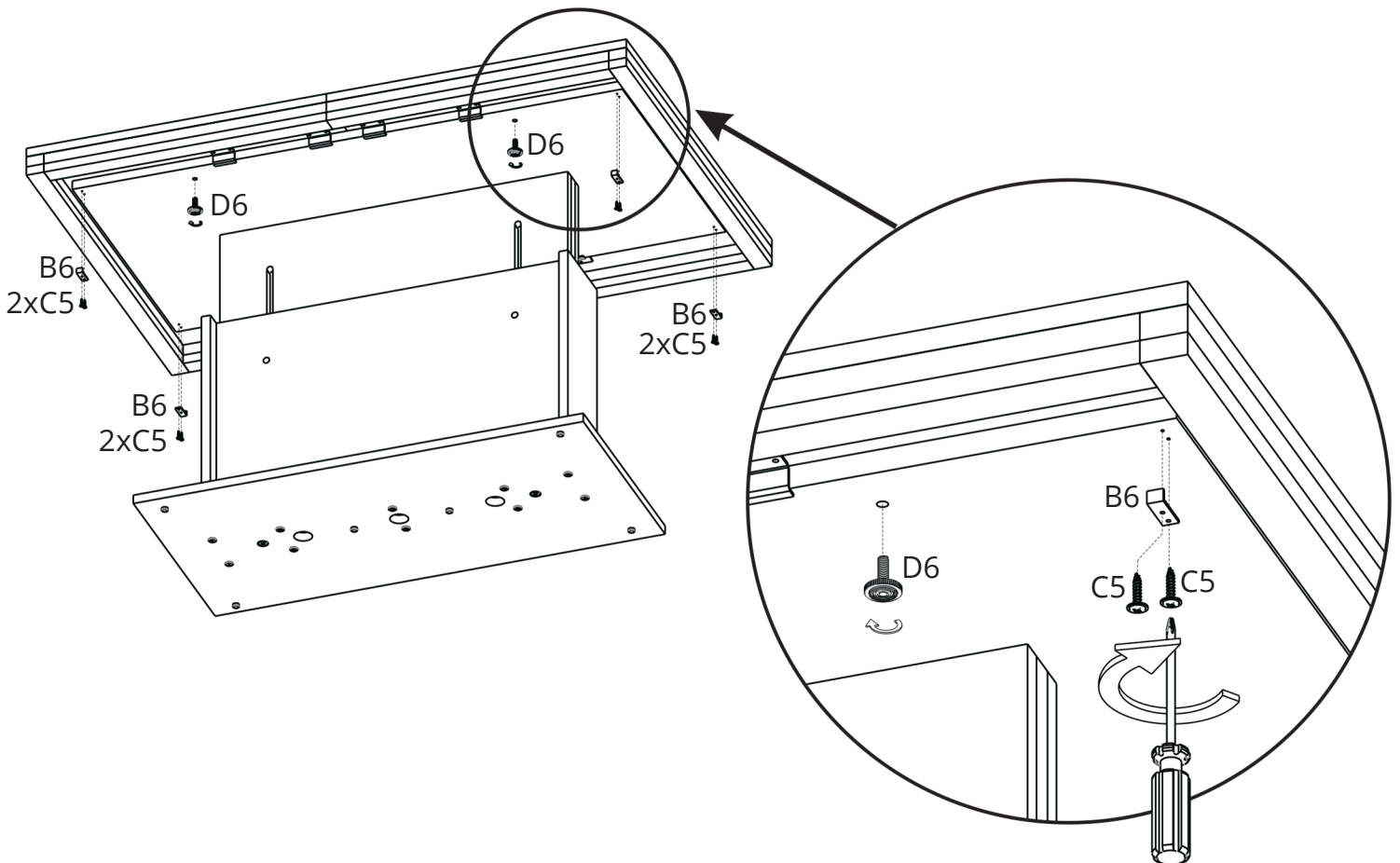


x 8

D6

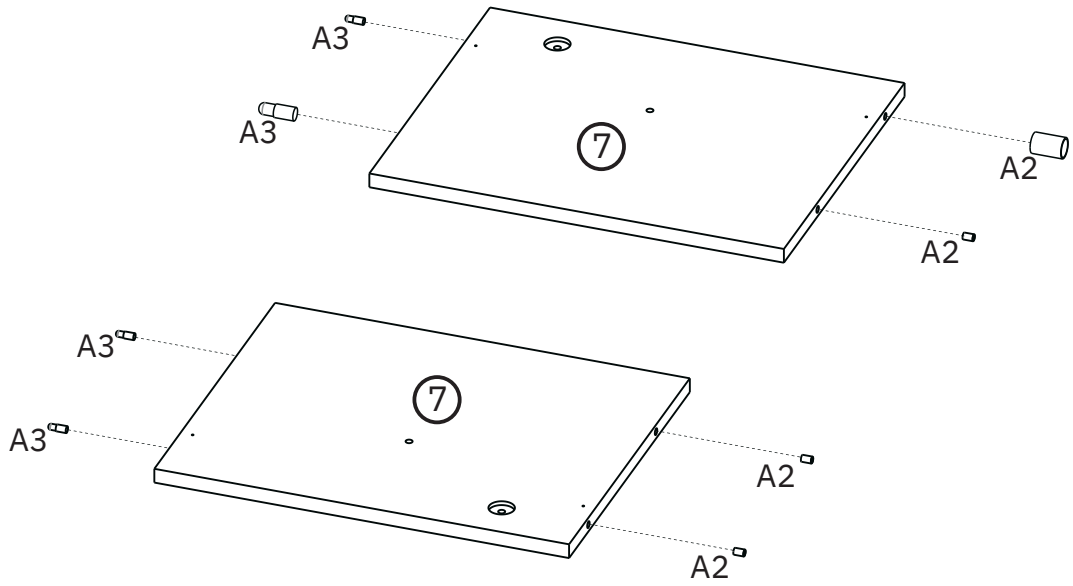


x 2

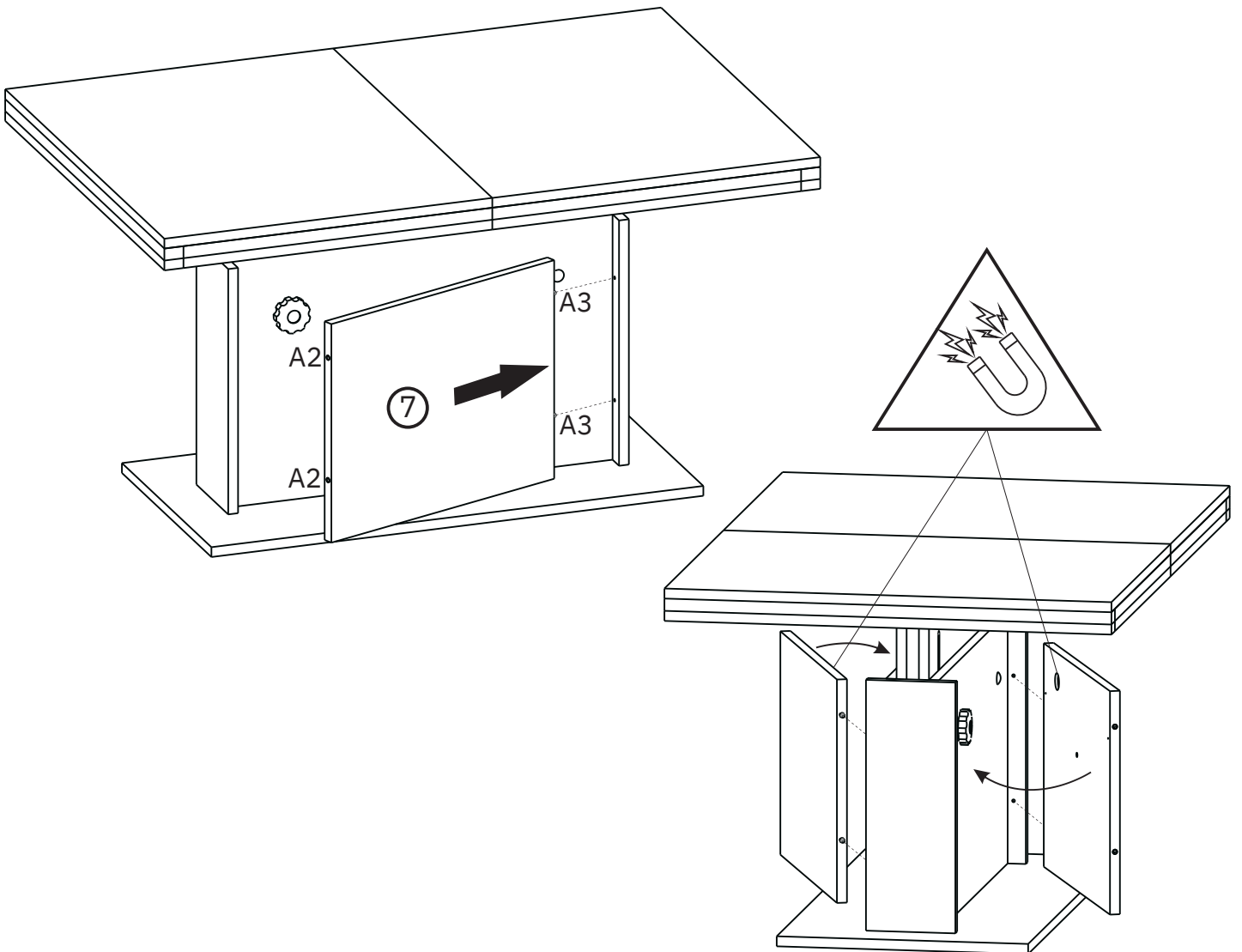


11

A3 x 4 | A2 x 4



12



14

