





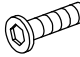



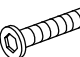

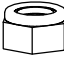
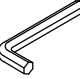


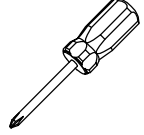
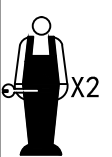
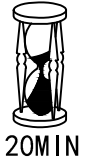
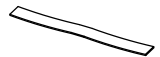
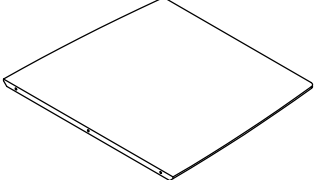
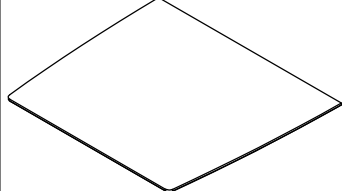
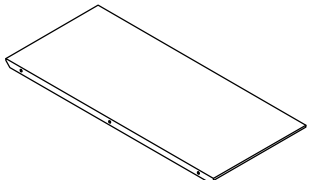
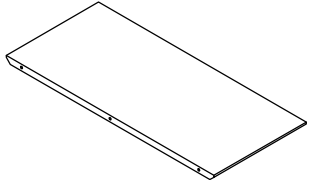
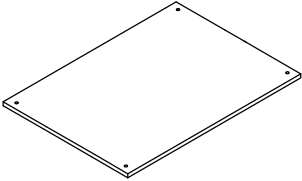
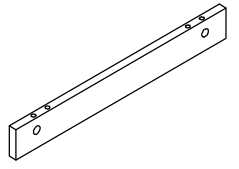
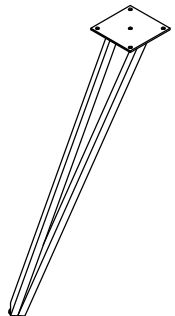
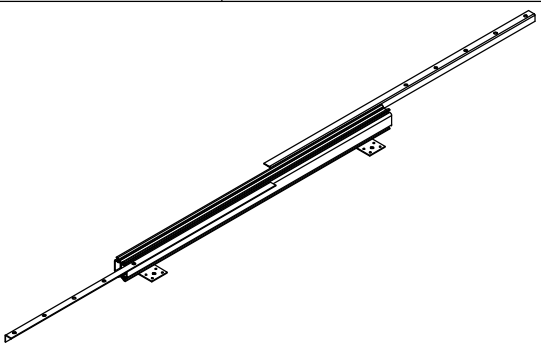

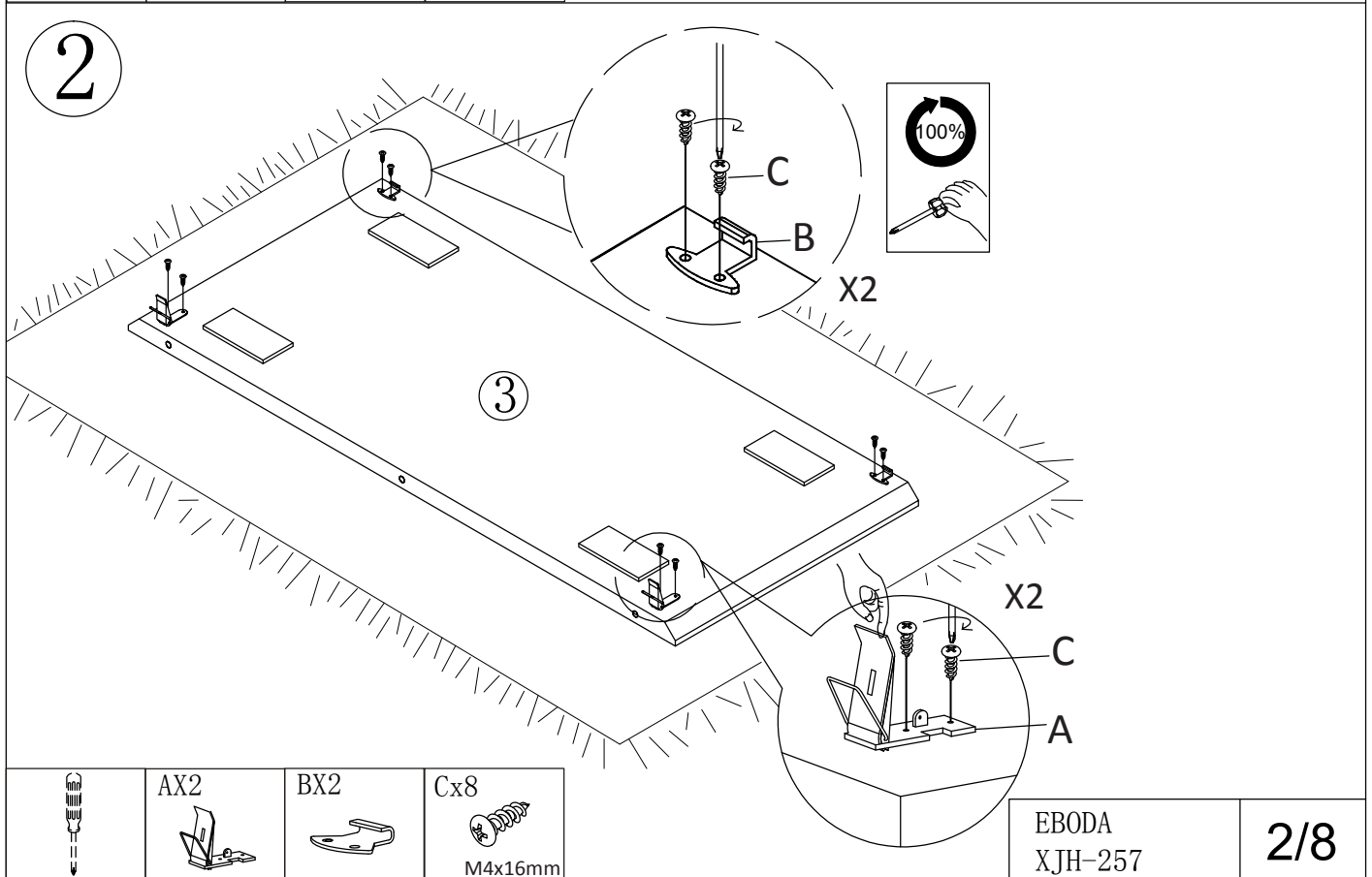
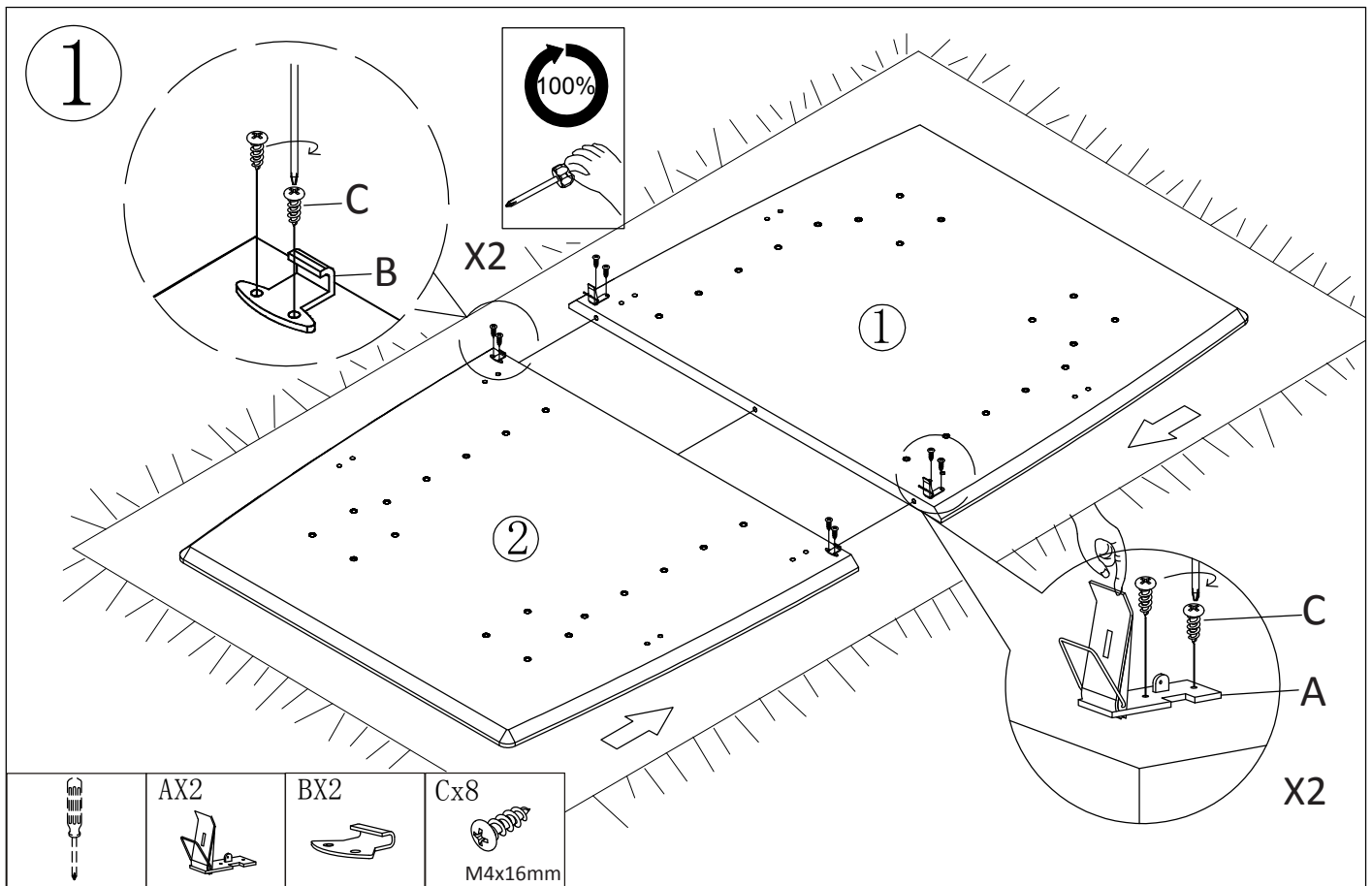
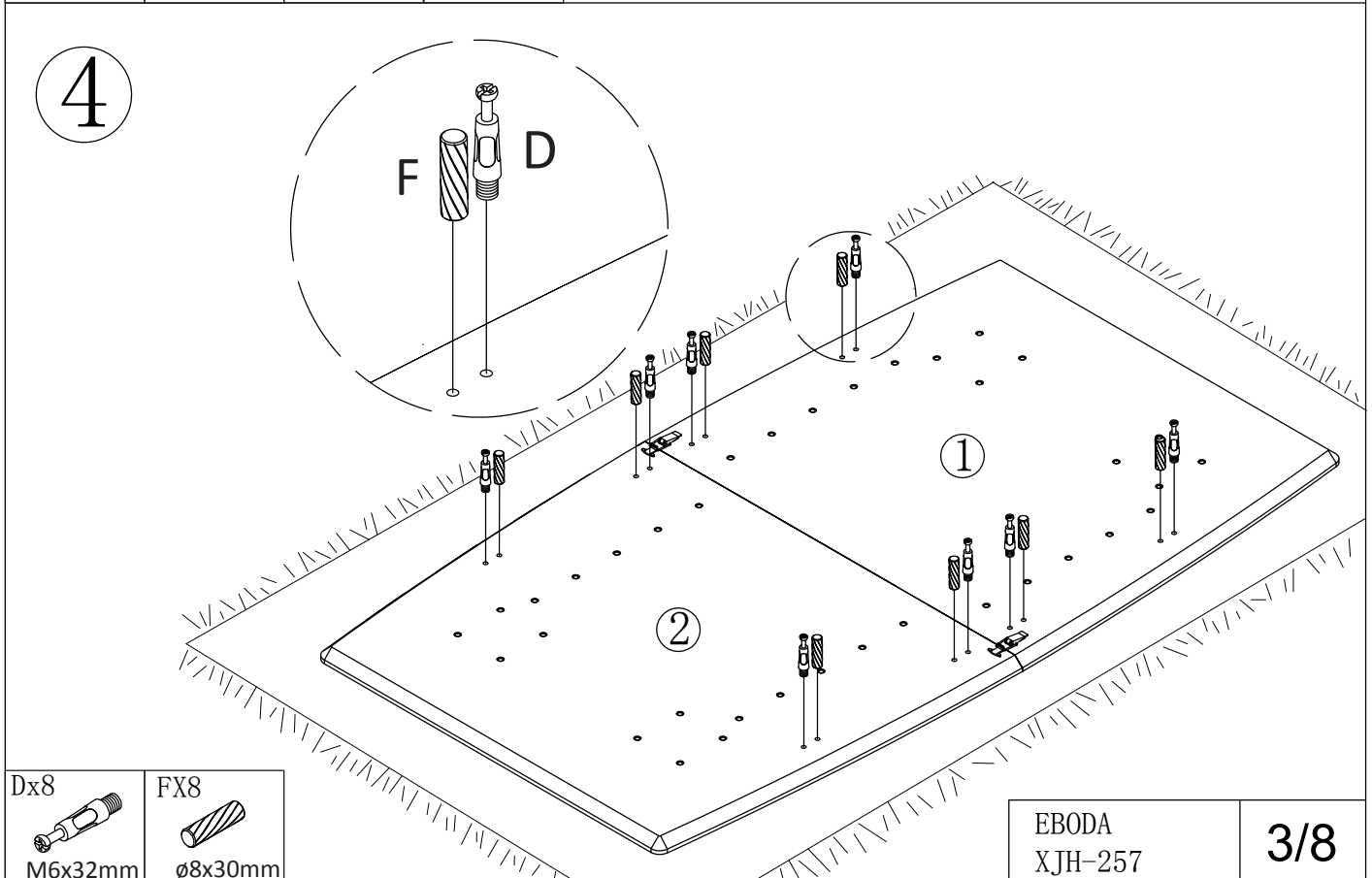
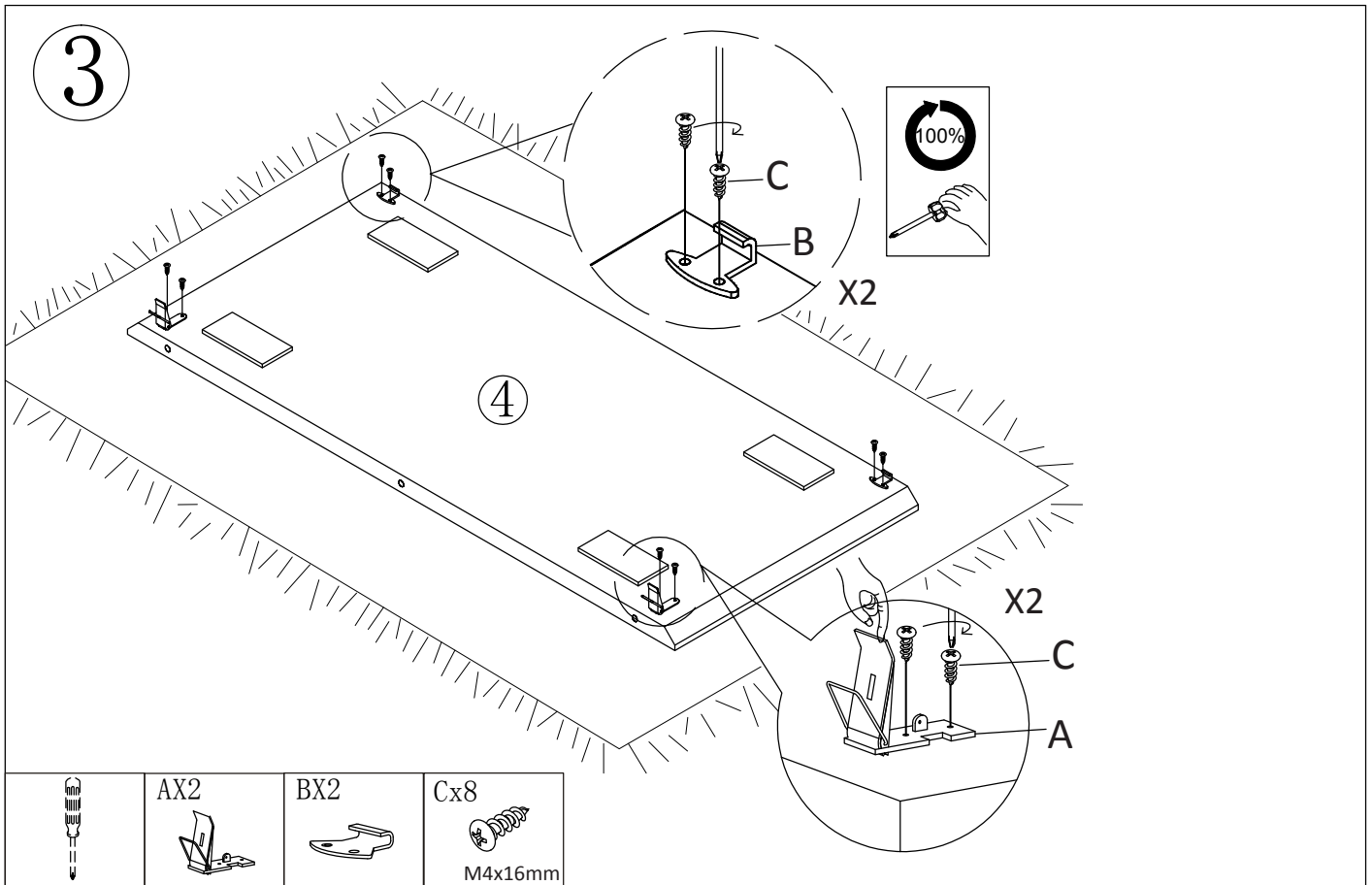
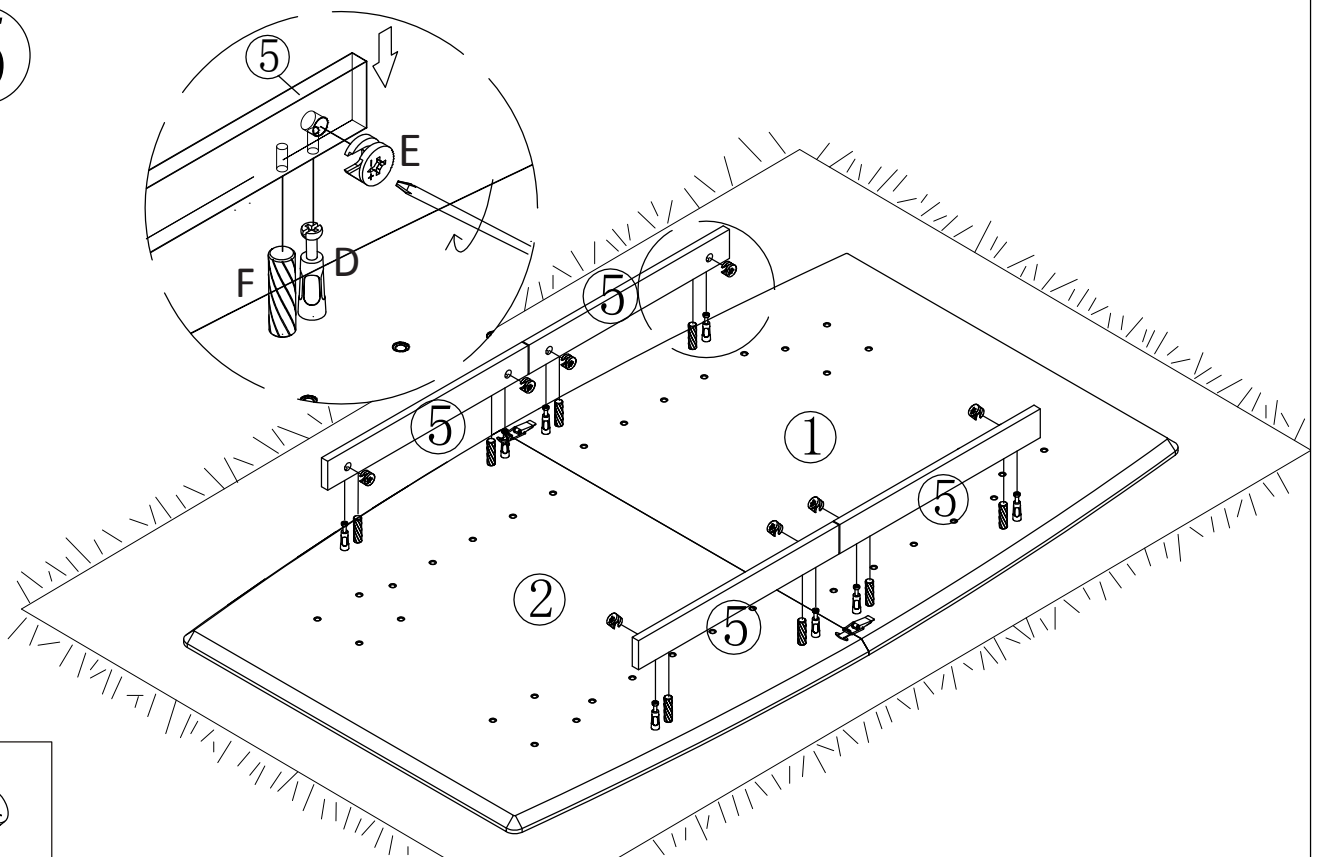
 <p>EBODA XJH-257</p>	Ax6 	Bx6 	Cx24  M4x16mm	Dx8  M6x32mm	
	Ex8 	Fx8  ø8x30mm	Gx36  M6x20mm	Hx36  ø15xø6x1mm	
	Ix36  M6	Jx4  ø25xø8x2mm	Kx4  M6x35mm	Lx4  ø20xø10x10mm	
	Mx4  M6	Nx1  M4	Ox1  M10	Px4 	
	 x2  20MIN	Qx2 			
 ① x1	 ② x1	 ③ x1	 ④ x1		
 ⑤ x1	 ⑥ x4	 ⑦ x4			
 ⑧ x1	 ⑨ x1	<table border="1"> <tr> <td>EBODA XJH-257</td> <td>1/8</td> </tr> </table>		EBODA XJH-257	1/8
EBODA XJH-257	1/8				





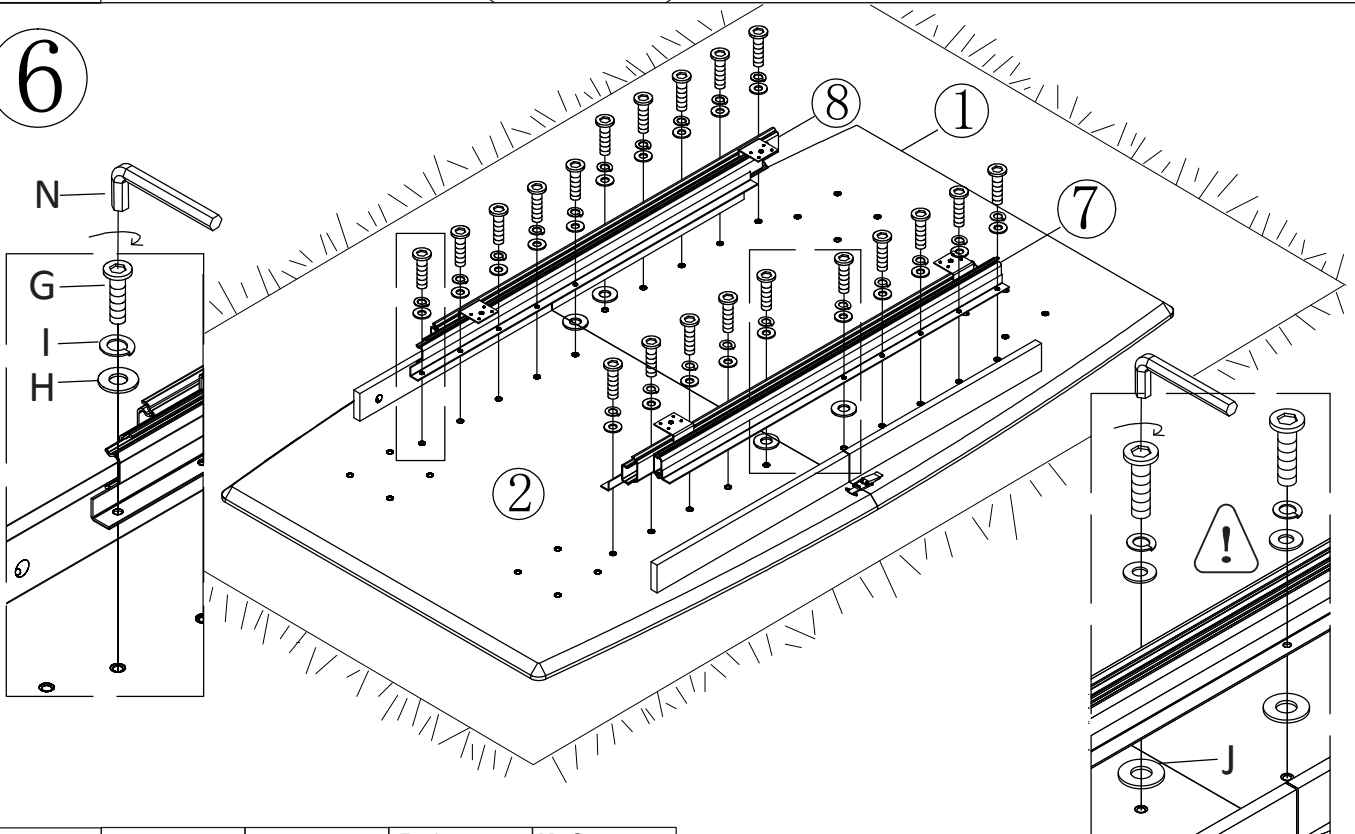
5

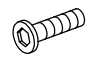






Ex8



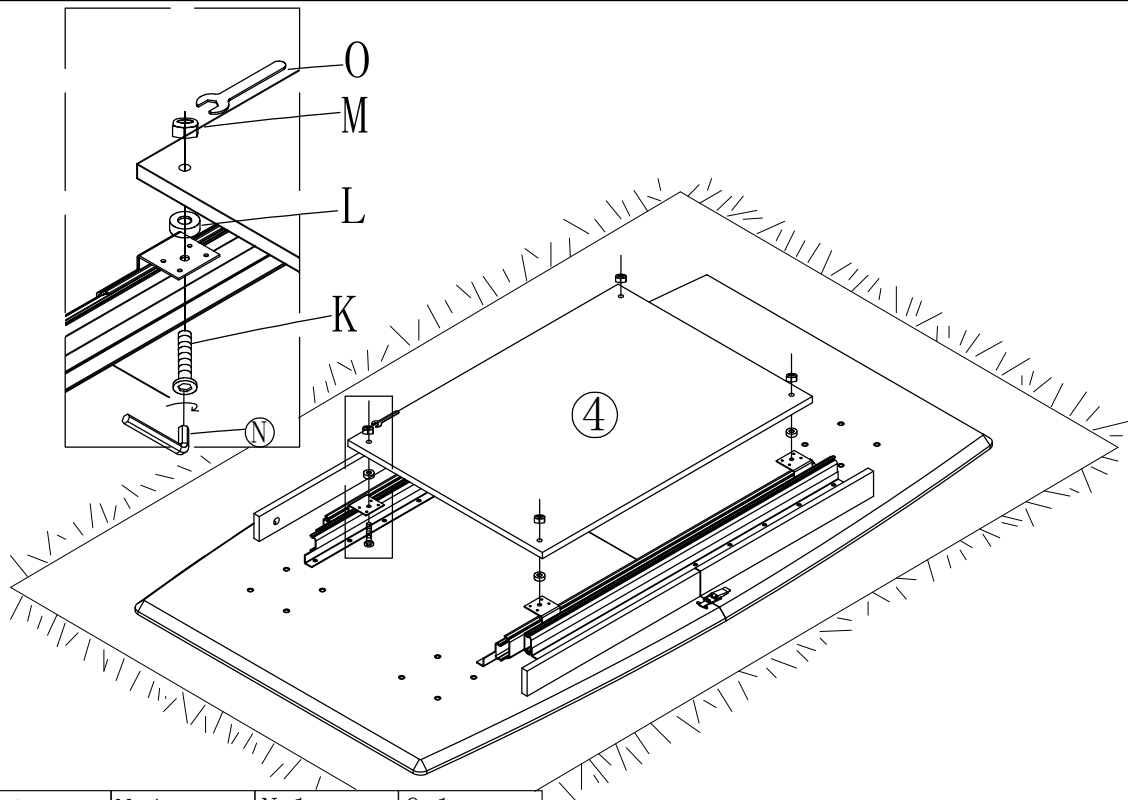
6

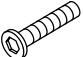

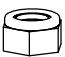




Gx20  M6x20mm	Hx20  ø15xø6x1mm	Ix20  M6	Jx4  ø25xø8x2mm	Nx2  M4
--	---	---	--	--

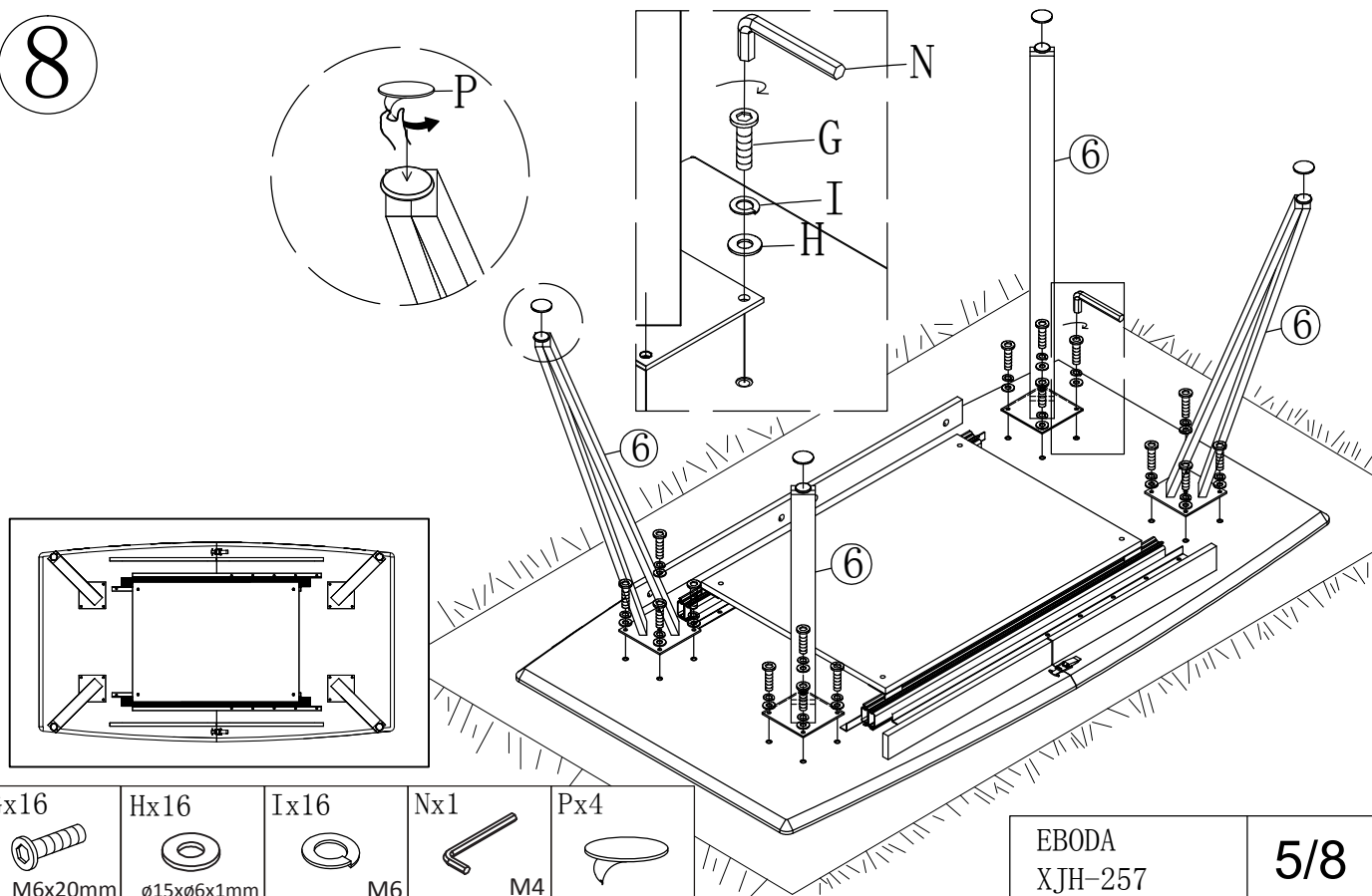
EBODA
XJH-257

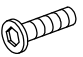




7



Kx4  M6x35mm	Lx4  ø20xø10x10mm	Mx4  M6	Nx1  M4	Ox1  M10
---	--	--	--	---

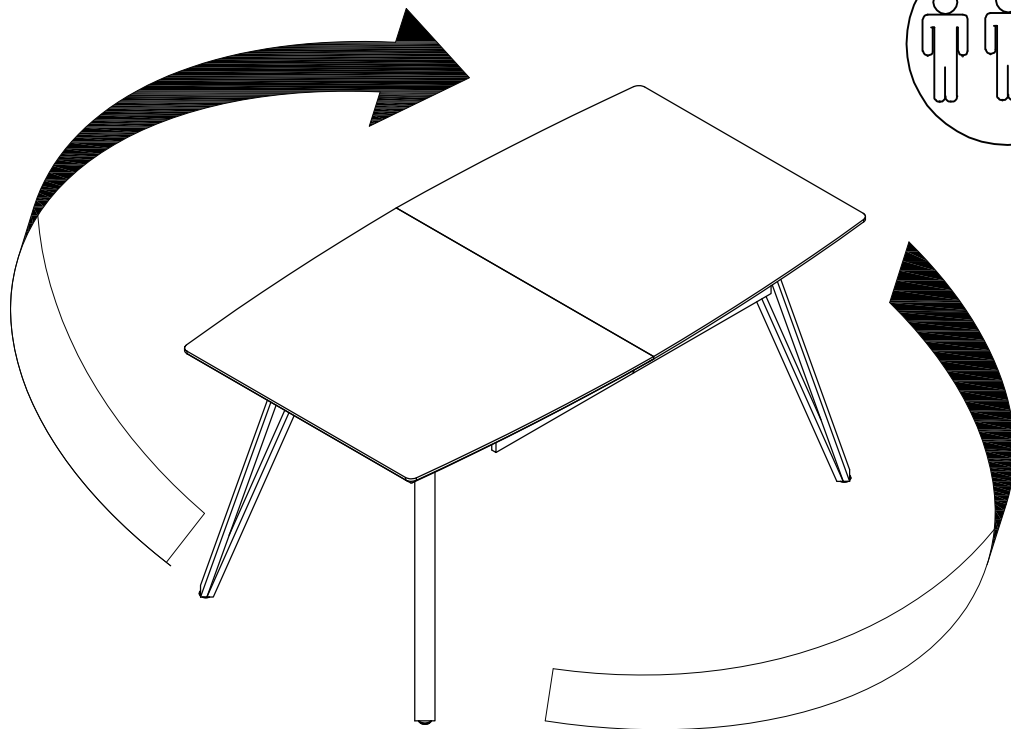
8



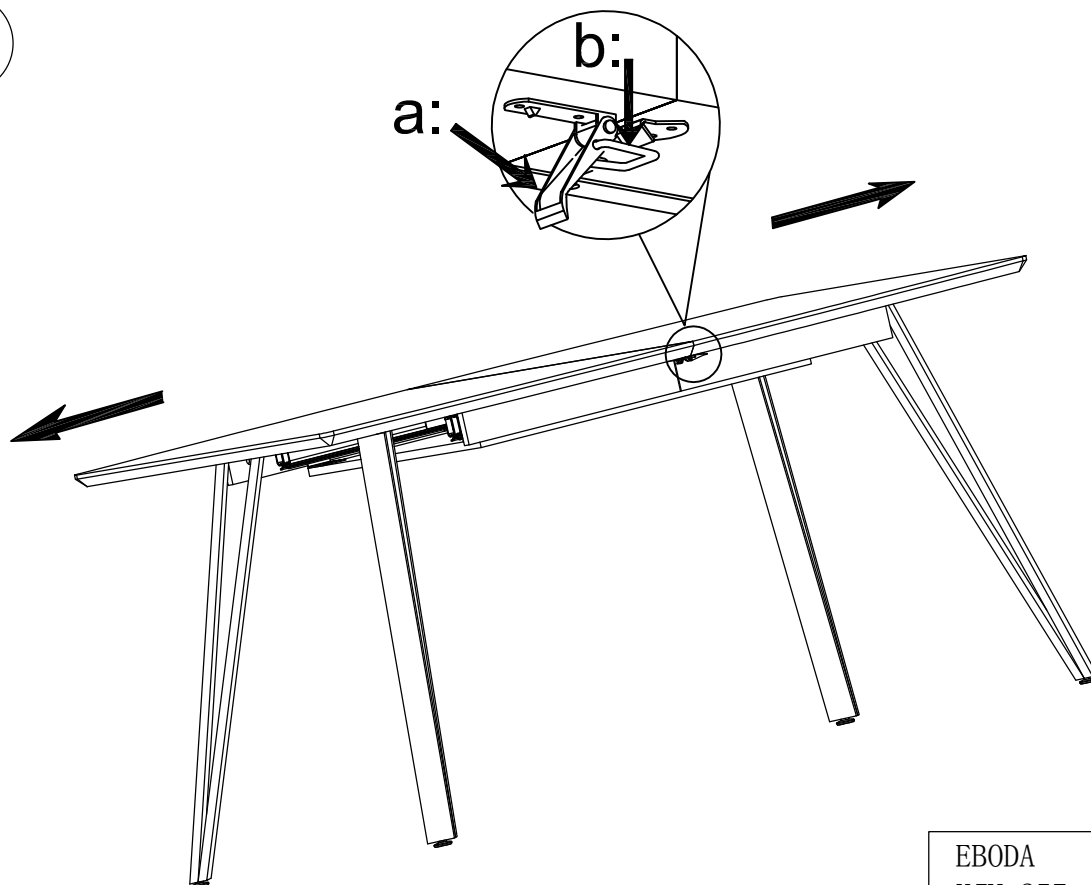
Gx16  M6x20mm	Hx16  ø15xø6x1mm	Ix16  M6	Nx1  M4	Px4 
--	---	---	--	--

EBODA
XJH-257

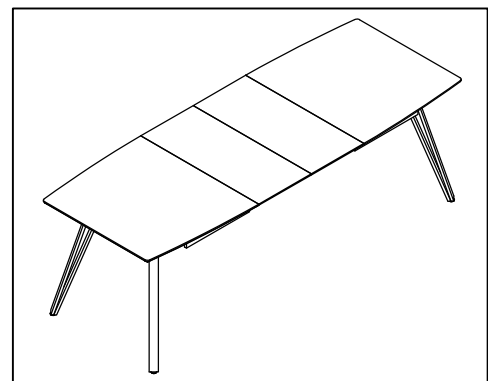
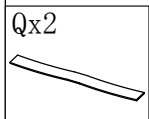
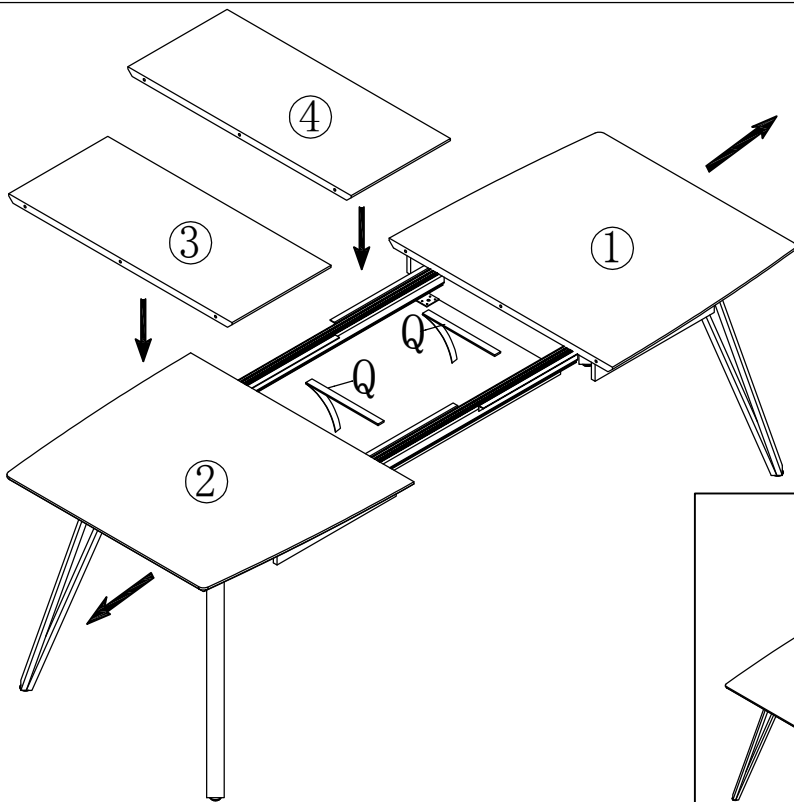
9



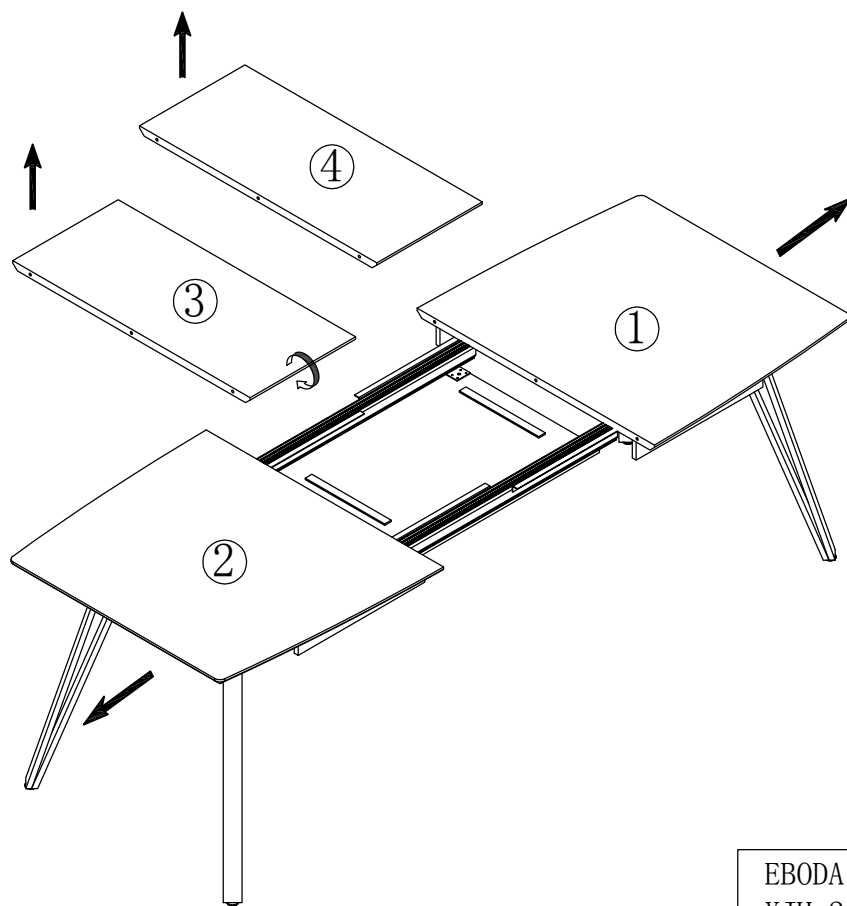
10



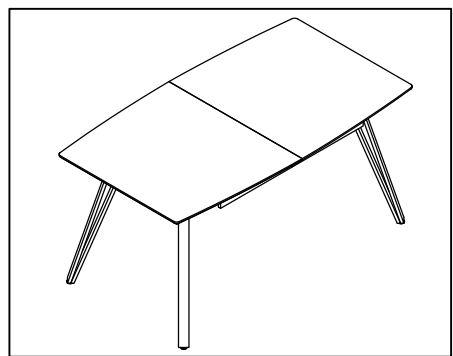
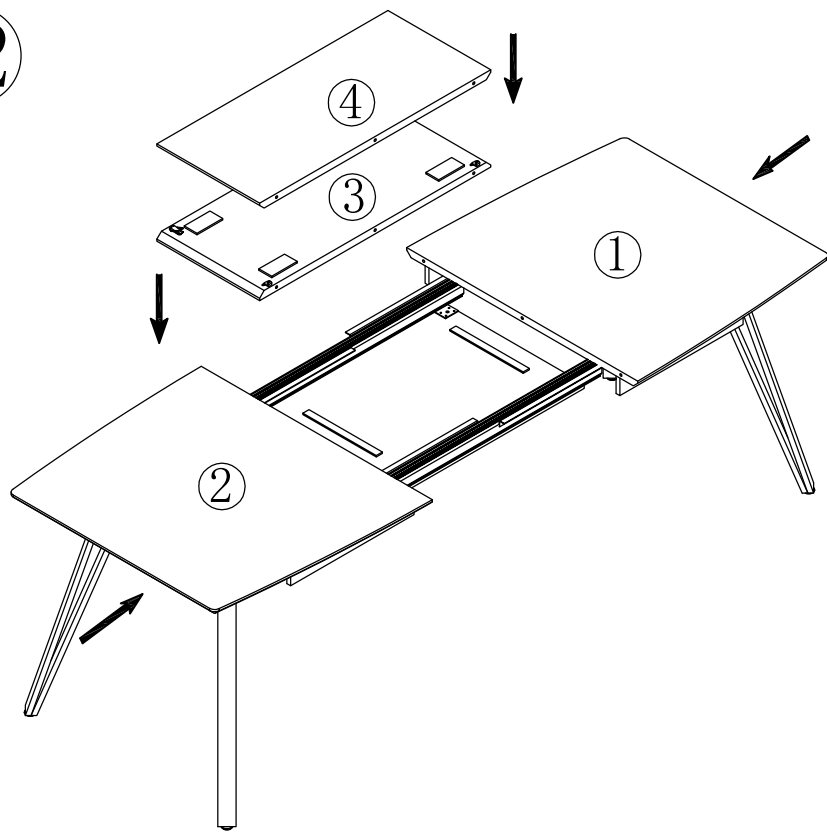
10



11



12



13

