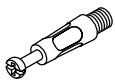


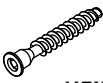

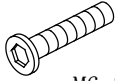
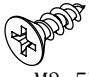
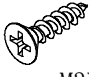
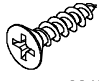
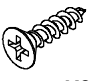
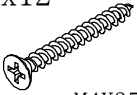



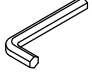
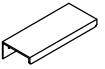
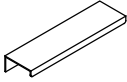
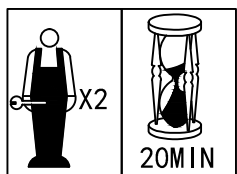
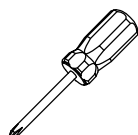
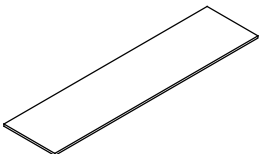
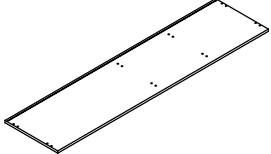
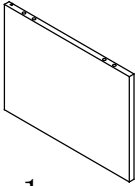
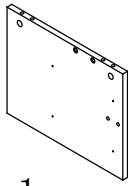
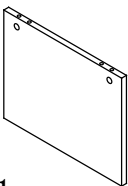
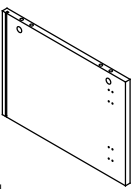
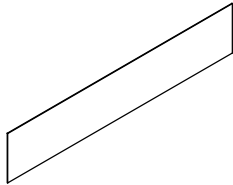
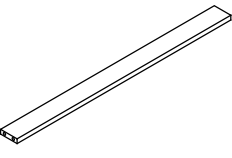
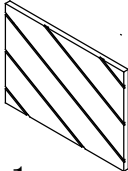
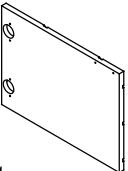
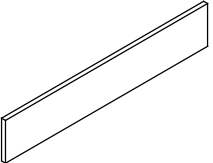
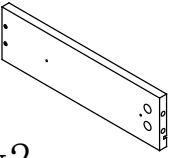
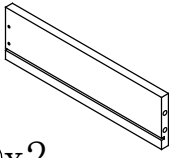
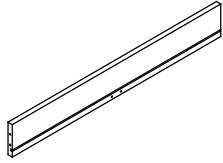
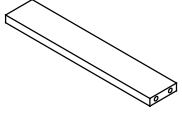
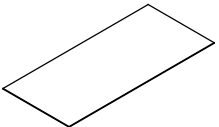
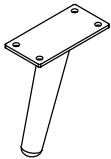
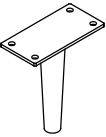
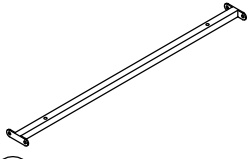
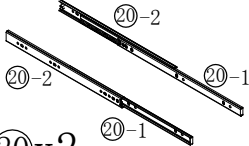
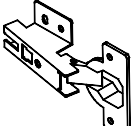
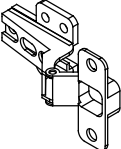
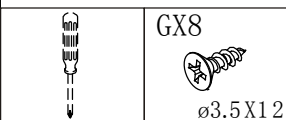
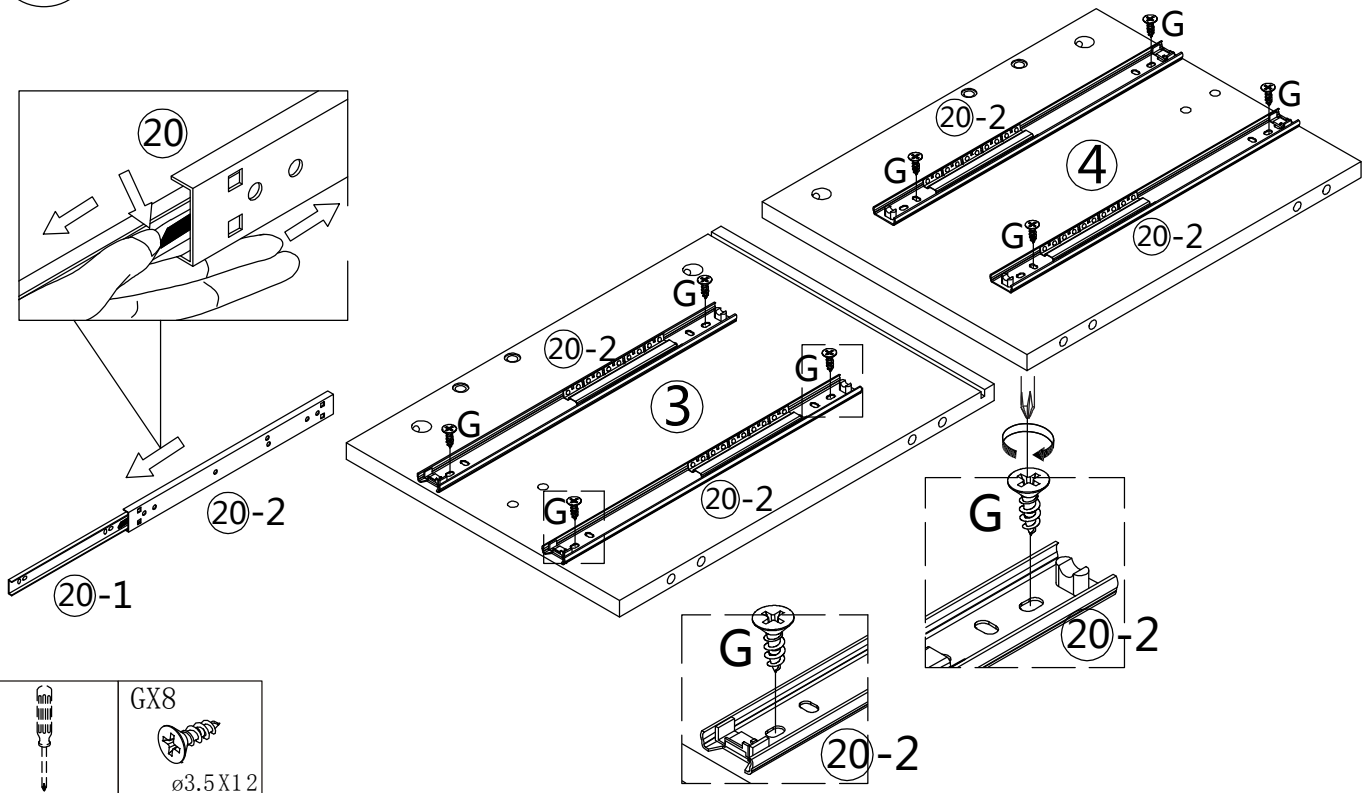
 <p style="text-align: center;">ESTIMA XJH-22105</p>	<p>Ax24  M6X32</p>	<p>Bx24 </p>	<p>Cx16  ø8X30</p>	<p>Dx8  M7X48</p>
	<p>Ex24  M6x12</p>	<p>Fx2  M6x30</p>	<p>Gx16  M3.5X12</p>	<p>Hx8  M3X14</p>
	<p>Ix24  M4X14</p>	<p>Jx8  M3X14</p>	<p>Kx12  M4X35</p>	<p>Lx8 </p>
	<p>Mx12 </p>	<p>Nx1  M6 (ø22) X15</p>	<p>Ox1  M4</p>	<p>Px2 </p>
	<p>Qx2 </p>			

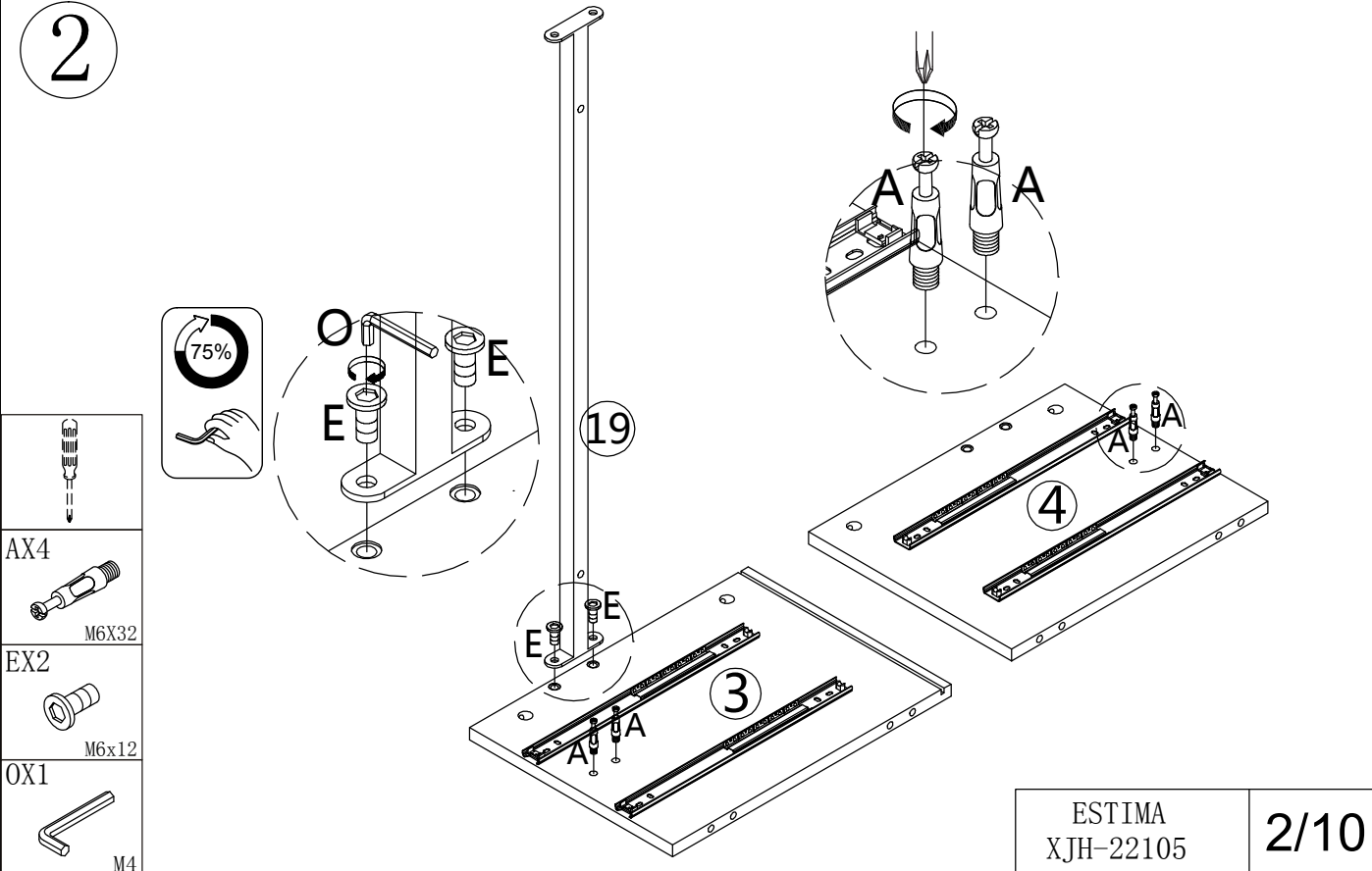


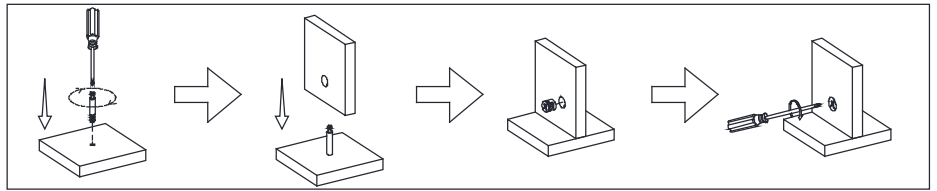
 ① x1	 ② x1	 ③ x1	 ④ x1	 ⑤ x1
 ⑥ x1	 ⑦ x1	 ⑧ x1	 ⑨ x1	 ⑩ x1
 ⑪ x2	 ⑫ x2	 ⑬ x2	 ⑭ x2	 ⑮ x2
 ⑯ x2	 ⑰ x4	 ⑱ x1	 ⑲ x1	 ⑳ x2
 ㉑ x2	 ㉒ x2			<p>ESTIMA XJH-22105</p>

1

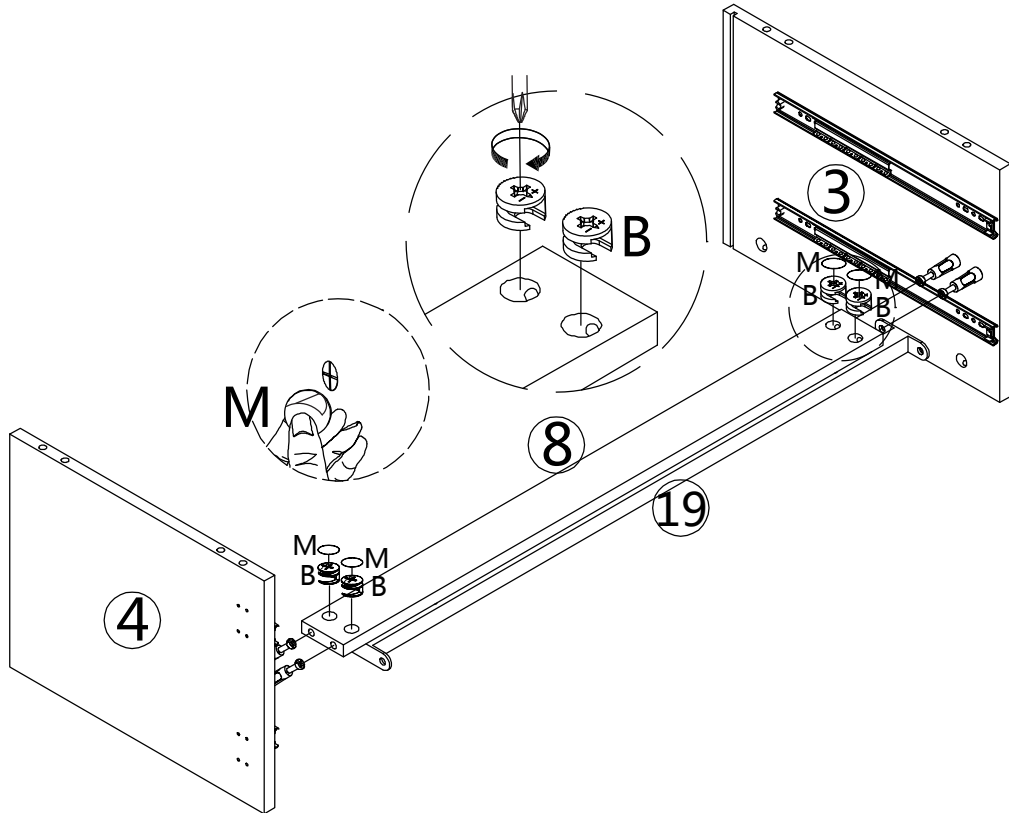





2



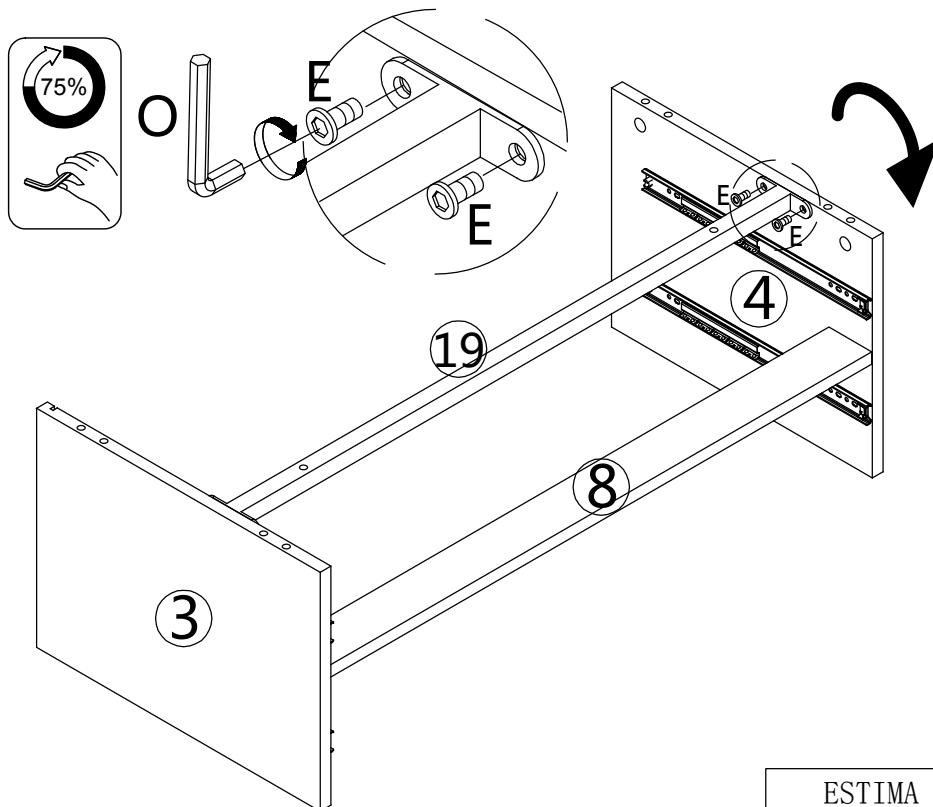



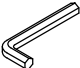
3

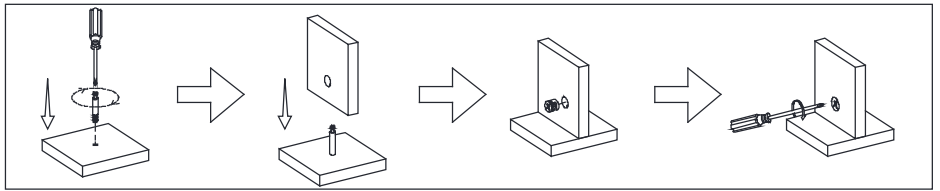


- 
- Bx4
- 
- Mx4
- 

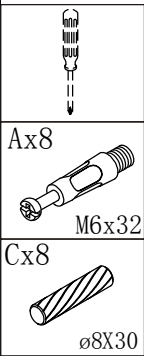
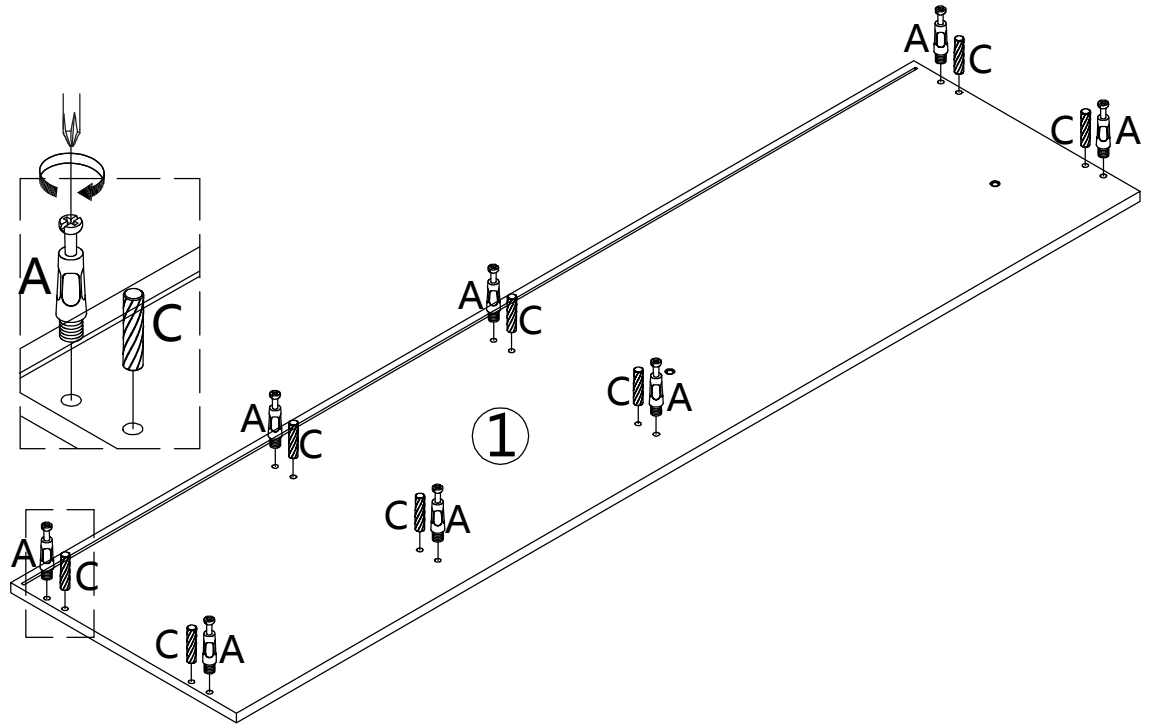
4



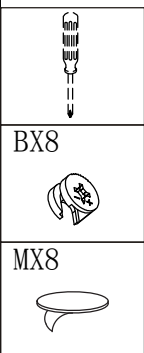
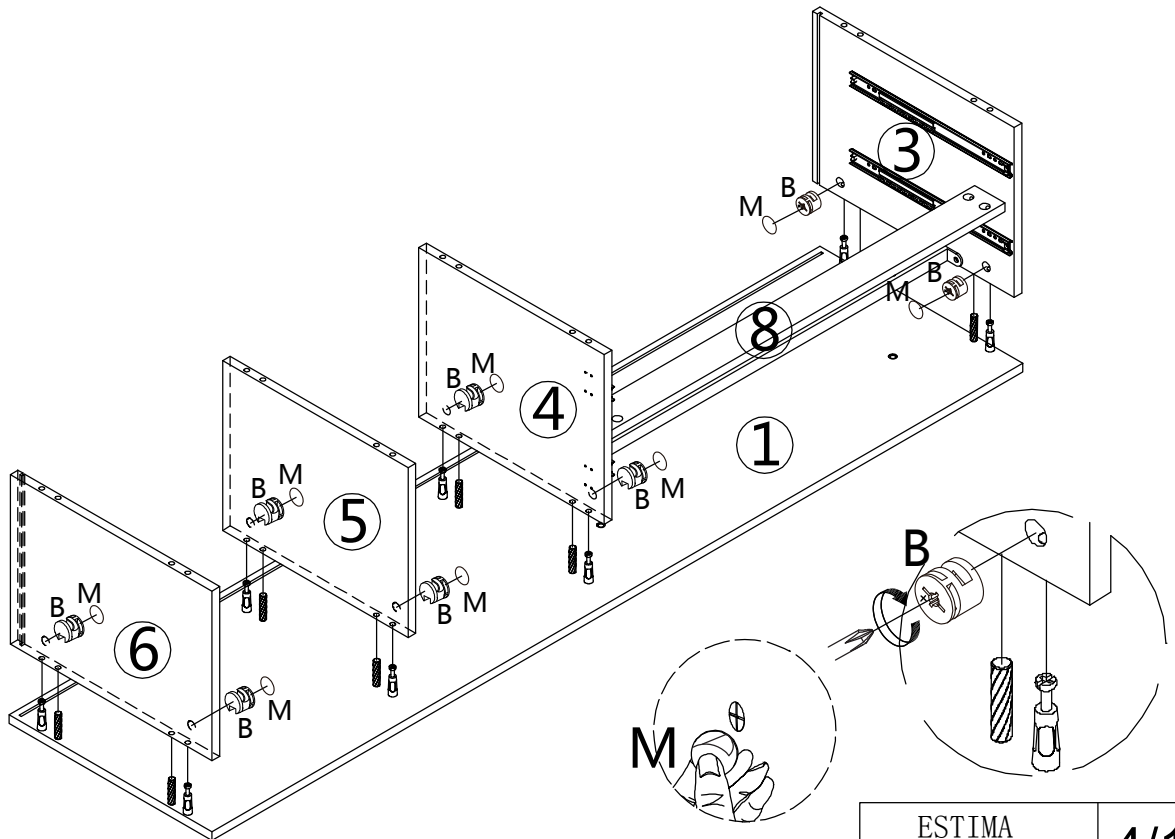
- Ex2
- 
- M6x12
- Ox1
- 
- M4



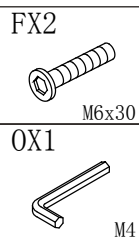
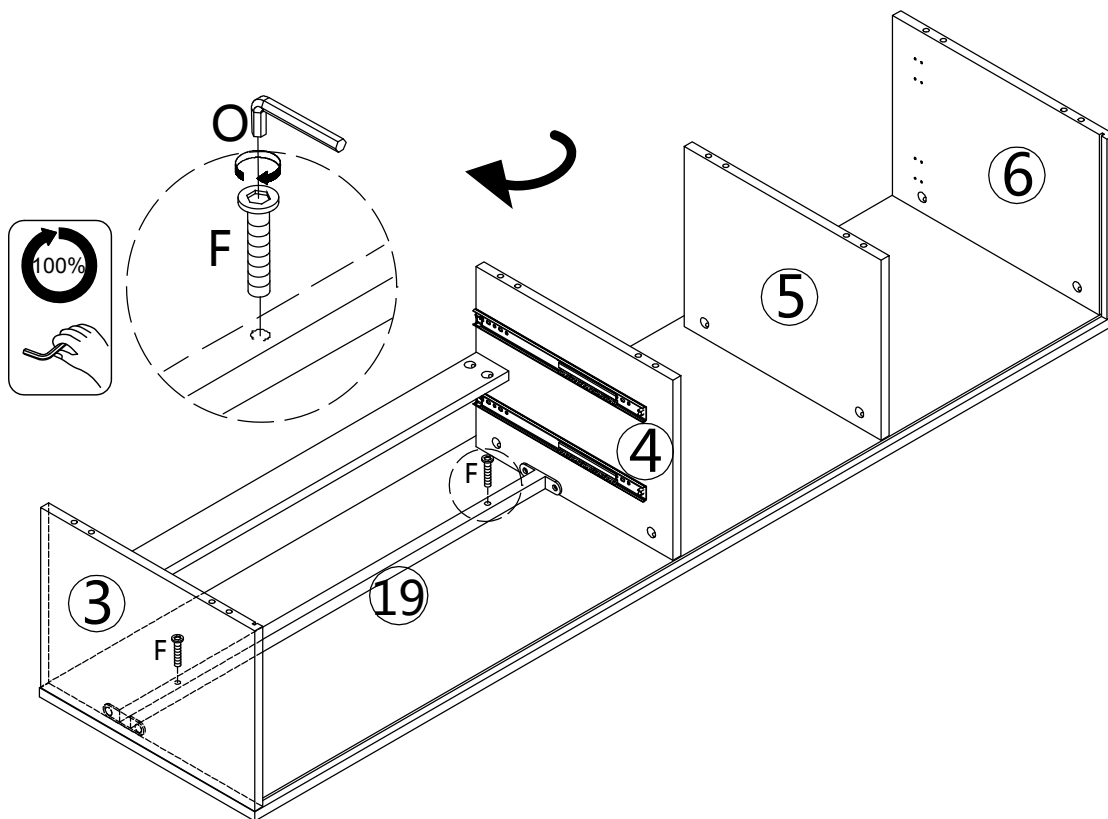
5



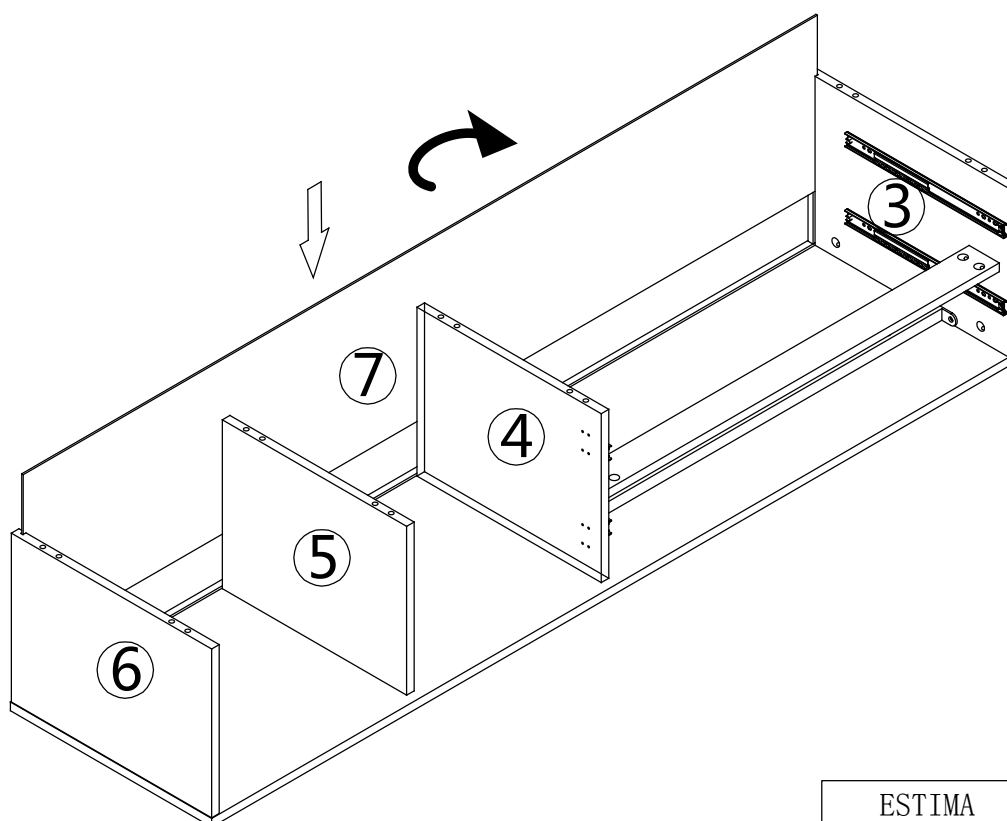
6



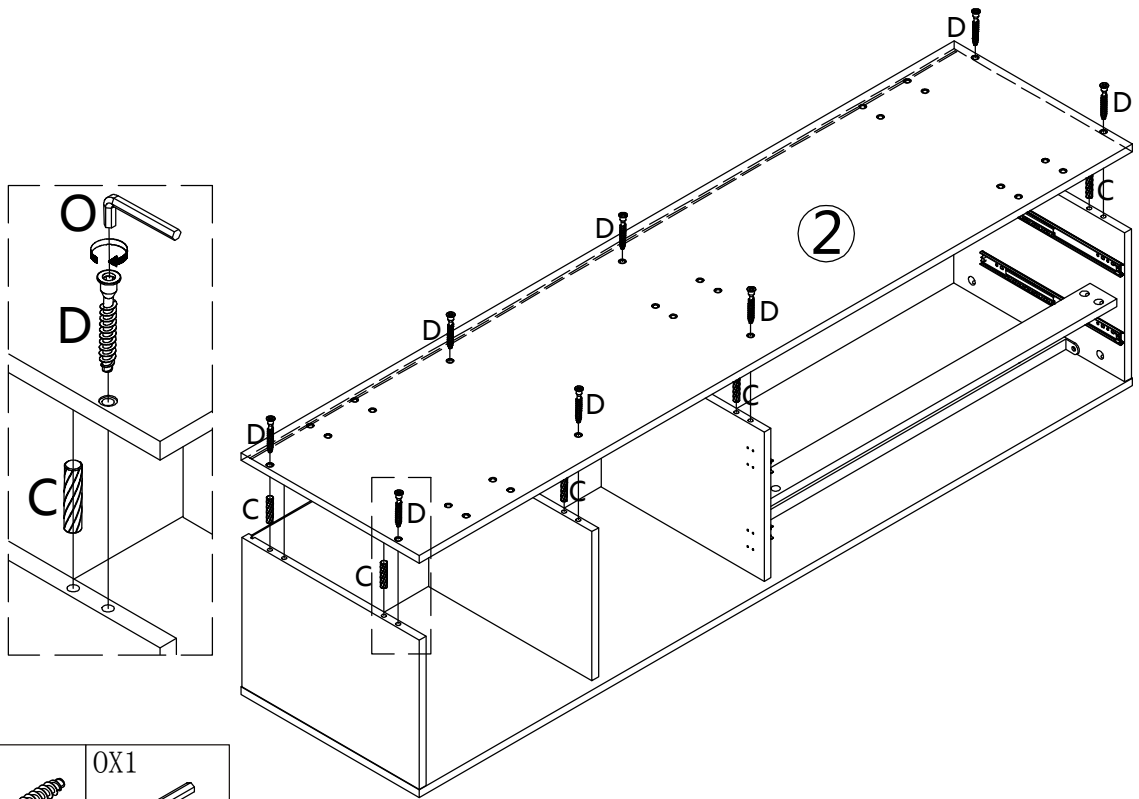
7



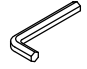


8

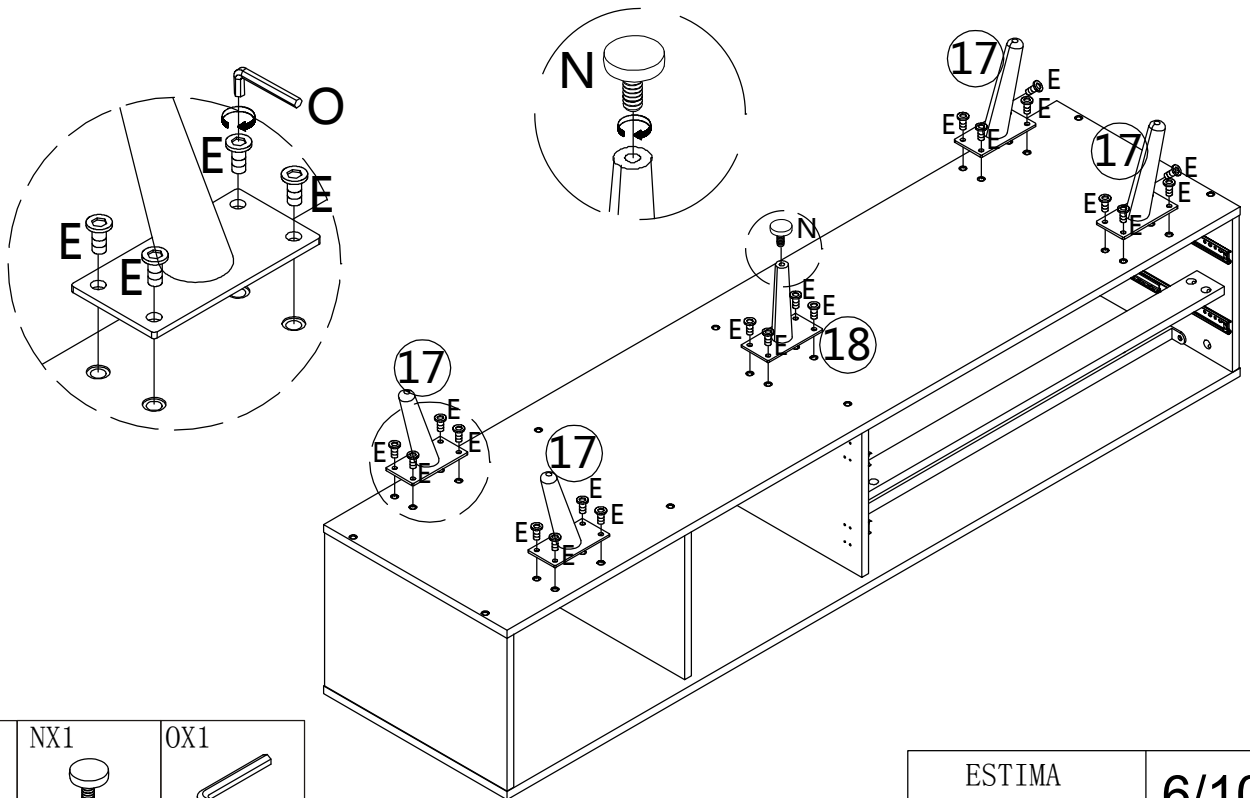




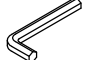
9



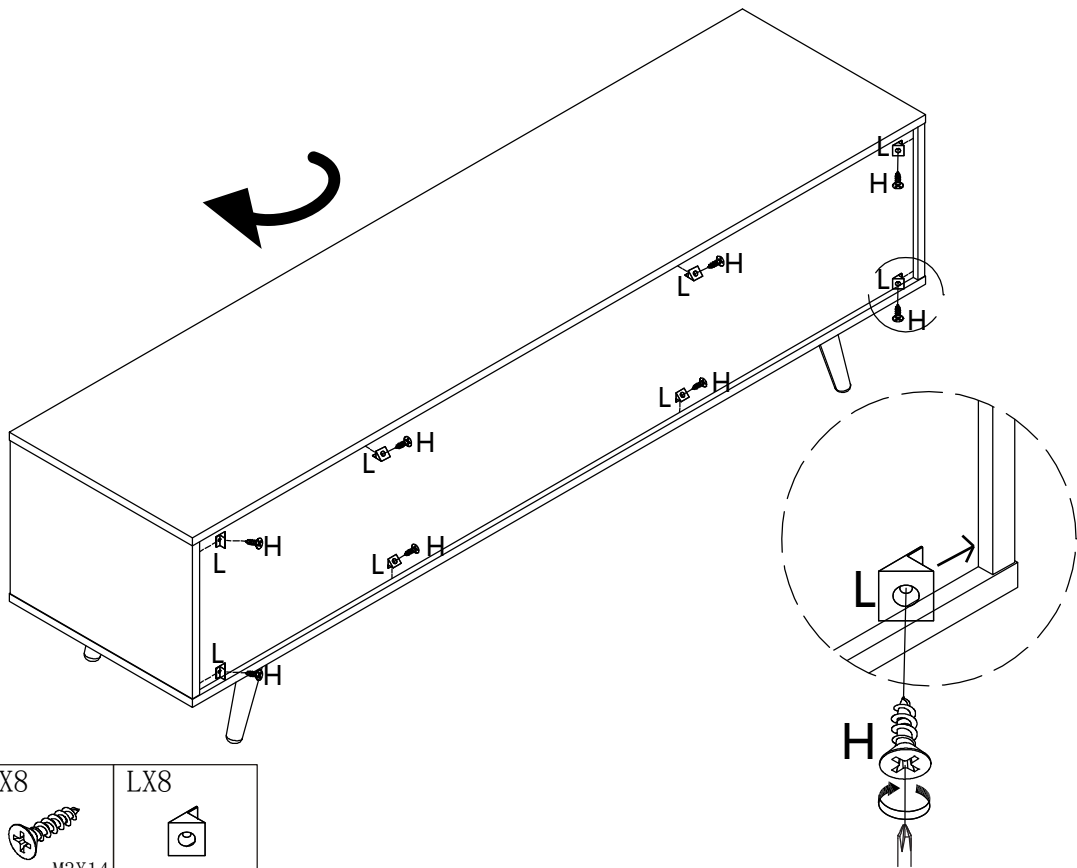
CX8  ø8 X 30	DX8  M7 X 48	OX1  M4
---	---	--




10



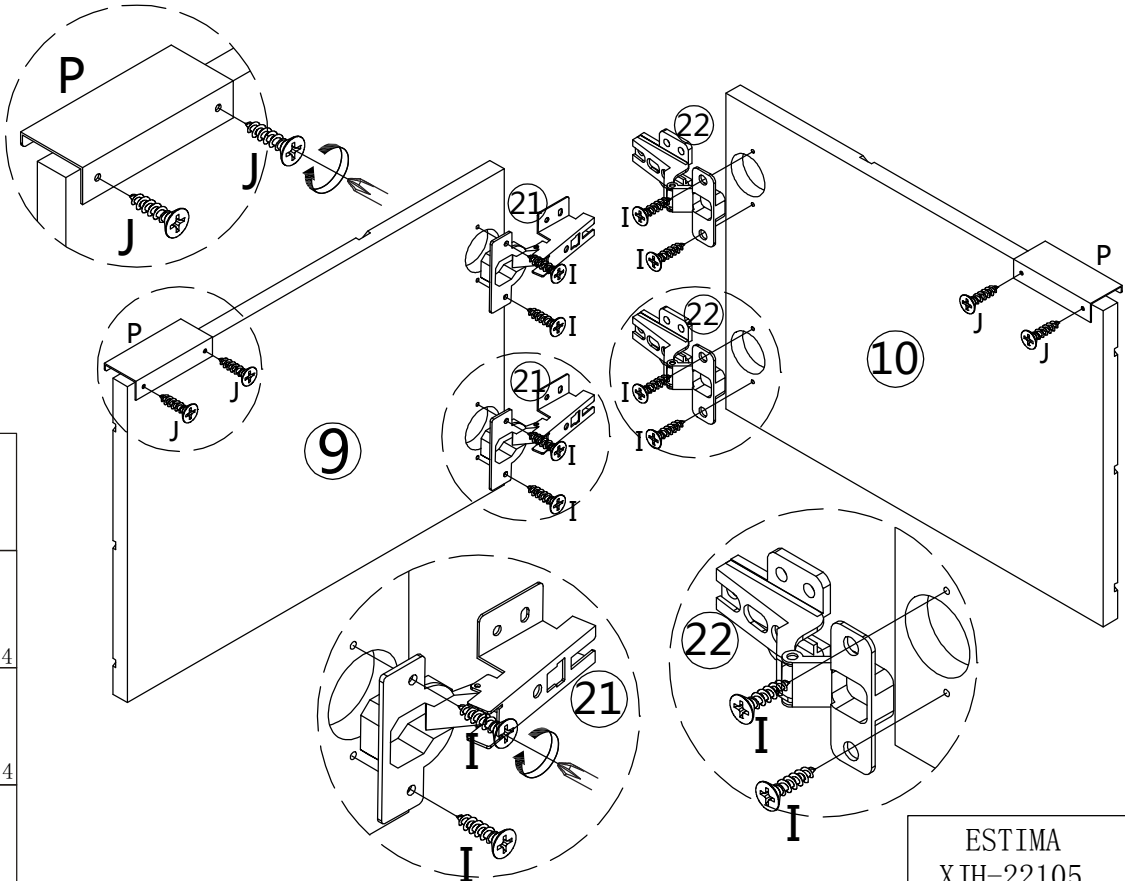
EX20  M6 x 12	NX1  M6 (ø22) X 15	OX1  M4
--	---	--




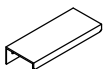
11



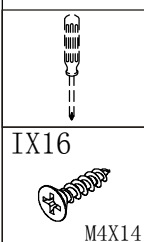
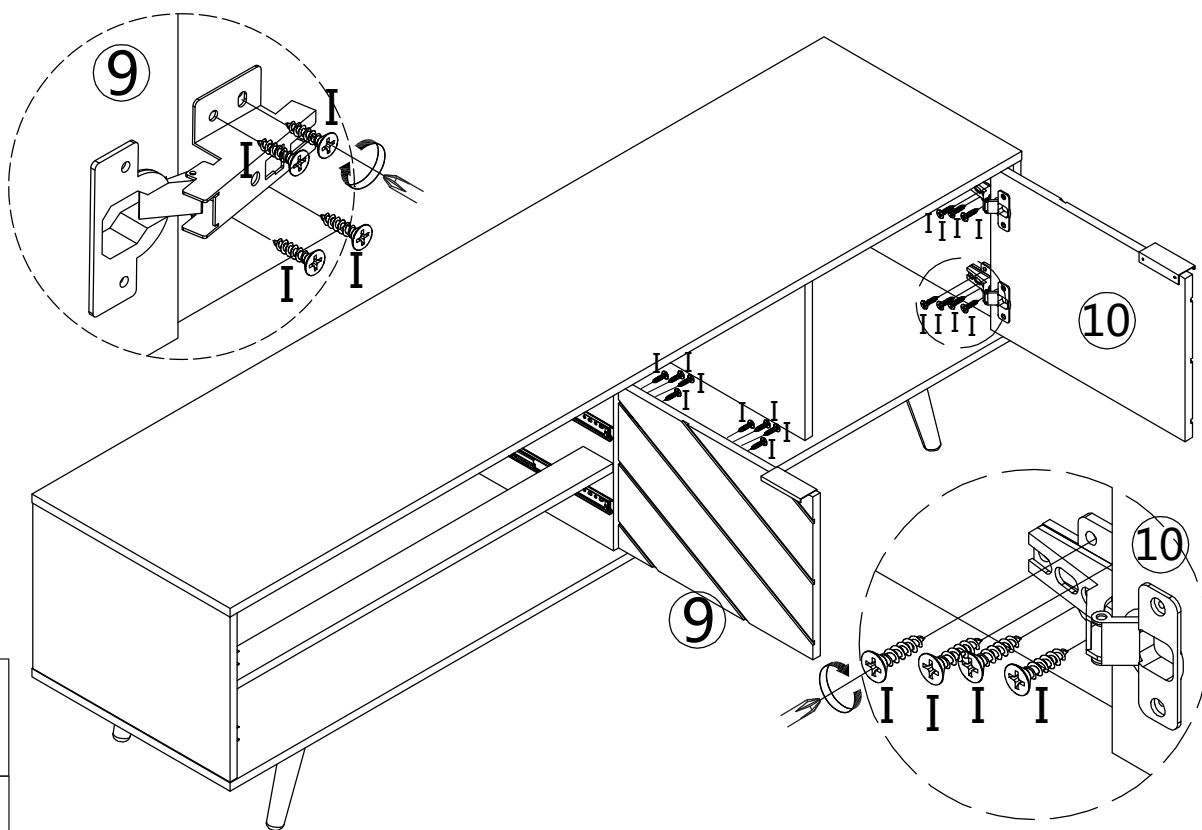
	HX8	LX8
		
	M3X14	

12

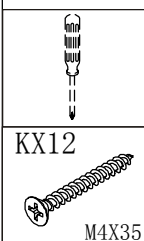
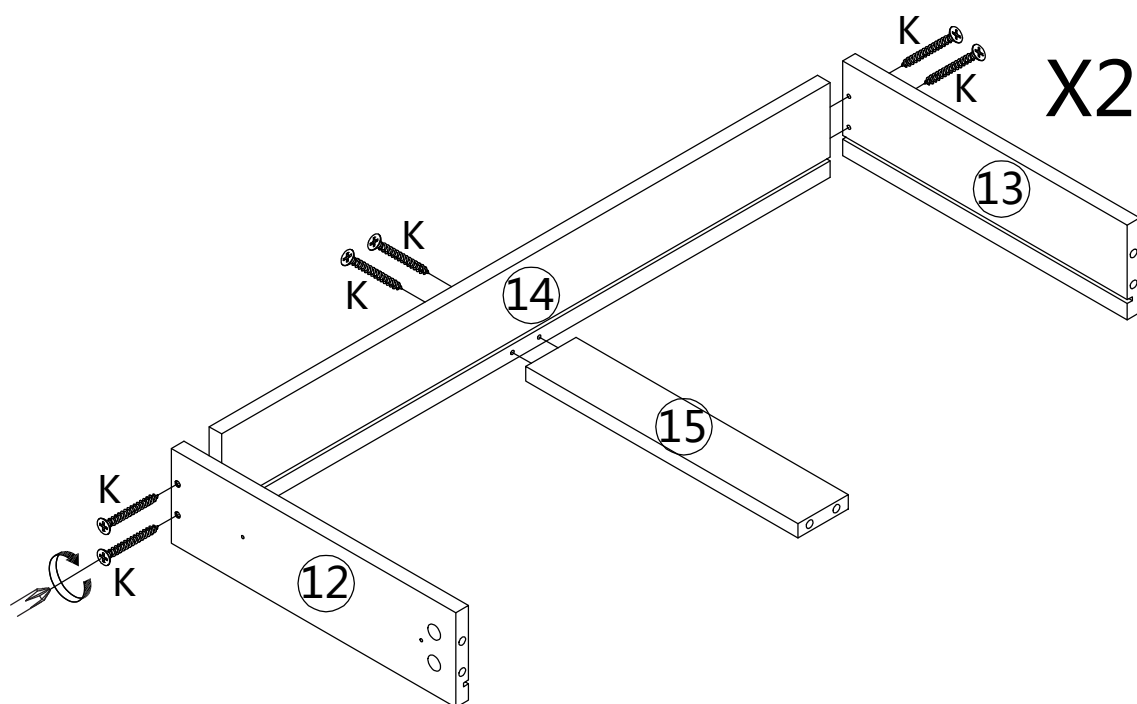



IX8

M4X14
JX4

M3X14
PX2


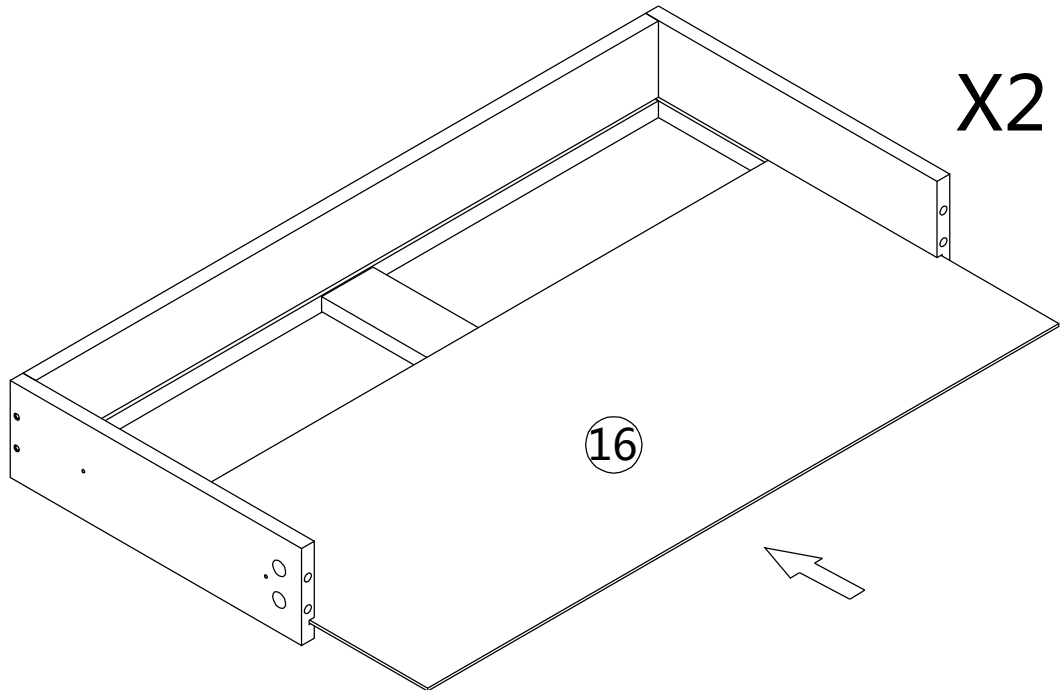
13



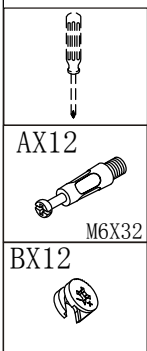
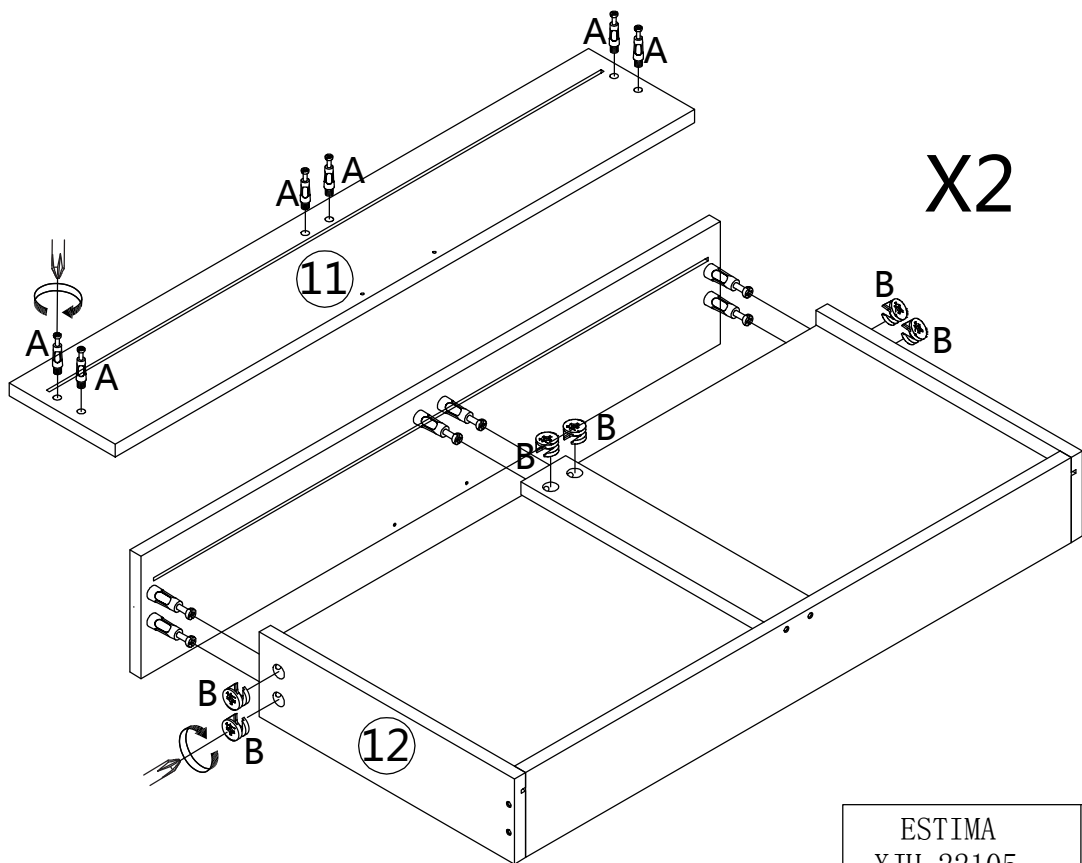
14



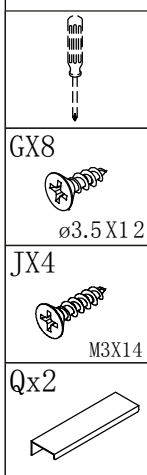
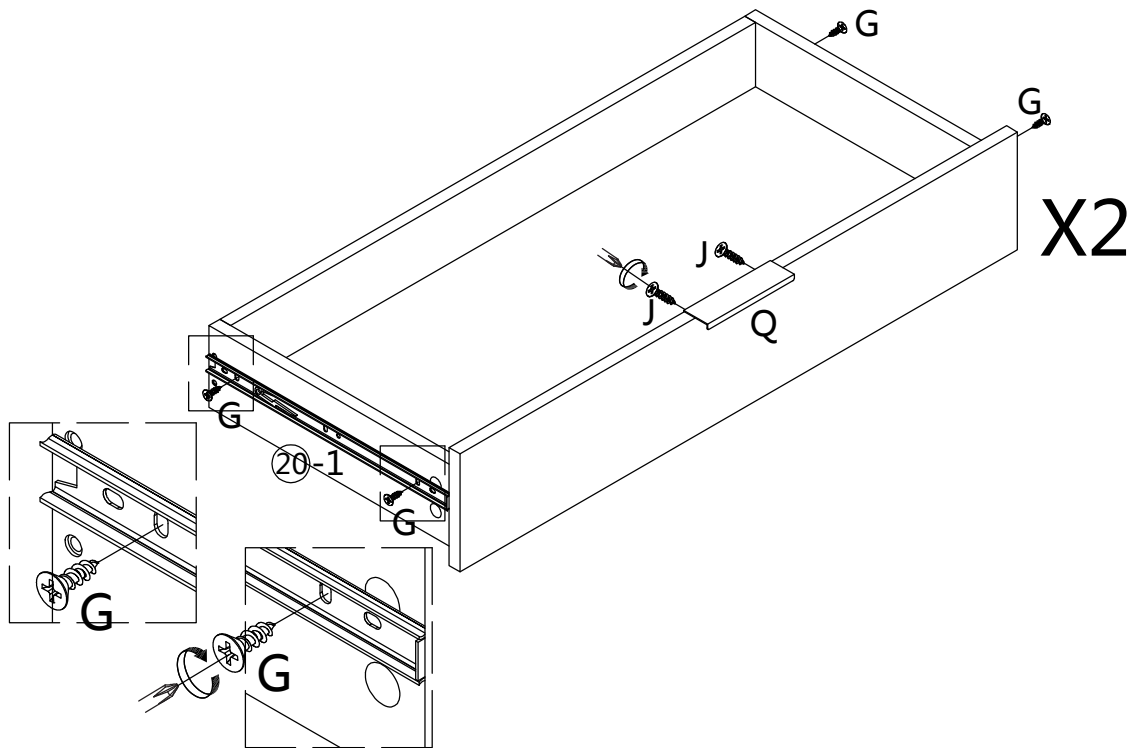
15



16



17



18

