

(ELINX)
BENCH-006



X1



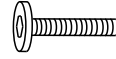
15MIN

A (m6x10)



X12

B (m6x35)



X4

C (m5)



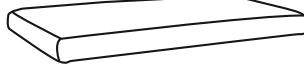
X1

D (m8x16)



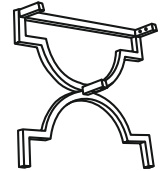
X4

①



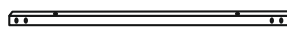
X1

②



X2

③



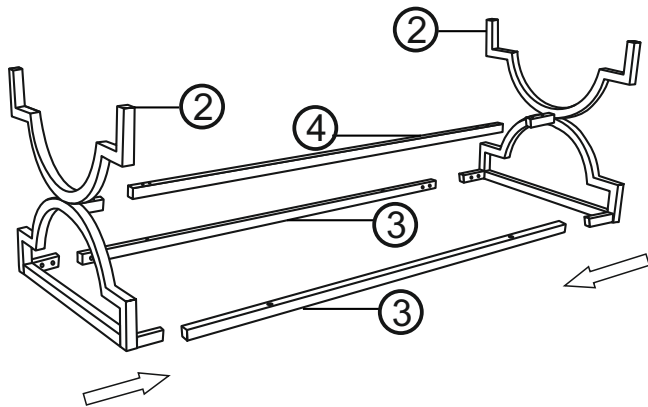
X2

④

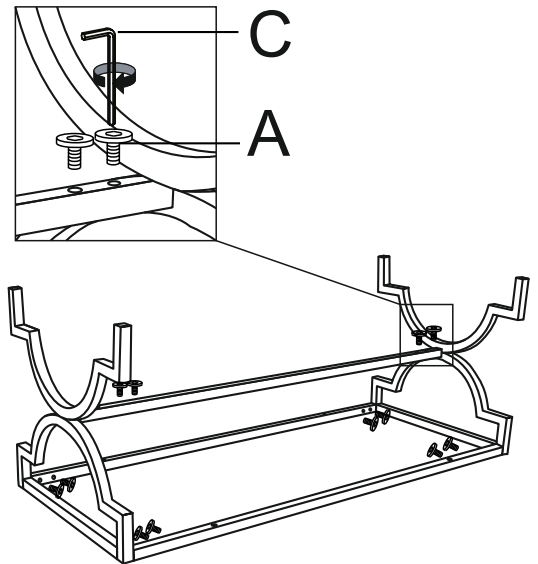


X1

1



2



3

