




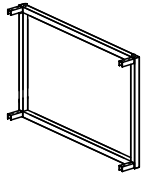
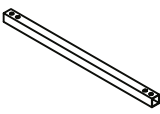
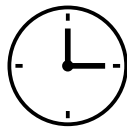
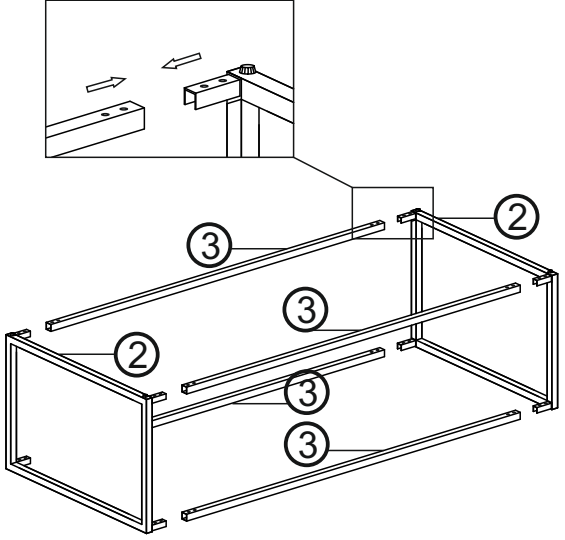
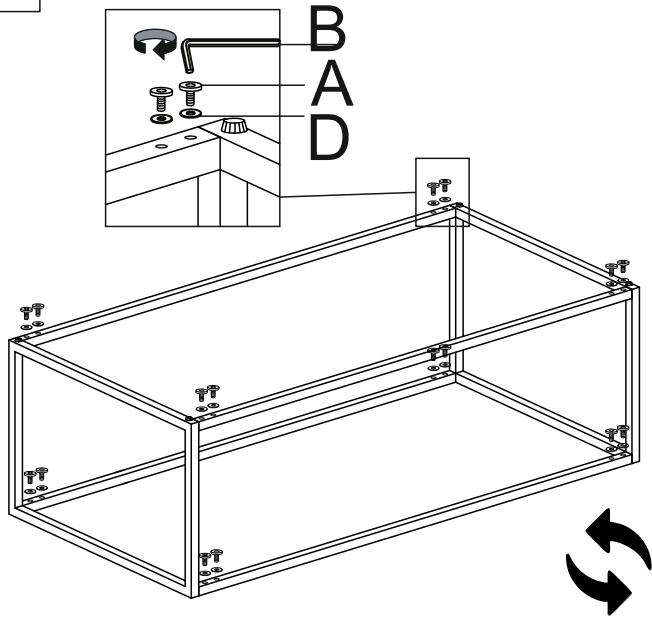
 <p>(ERAFAND) ECT-022-TG-SK</p>	A (m6x10)  X16	B (m5)  X1	C (12x2mm)  X4	D (m8x16)  X16
	①  X1	②  X2		
	③  X4			

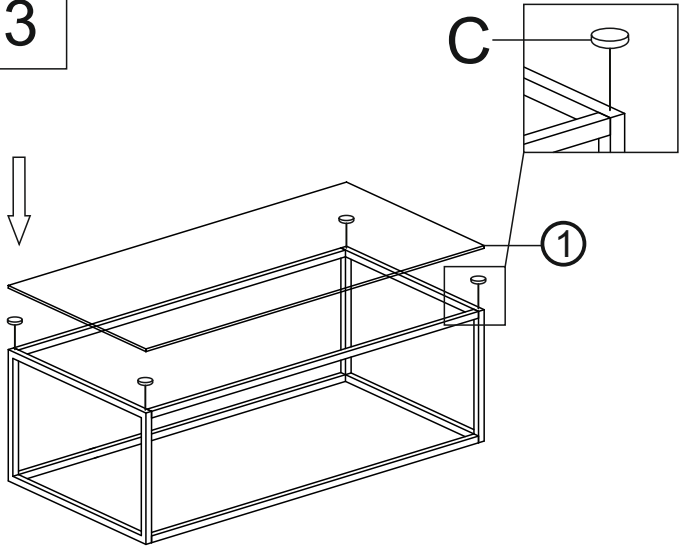


X2



15MIN

1	
2	

3	
4	