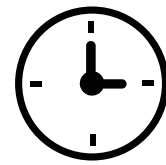


JEFFIS(STAND325S)

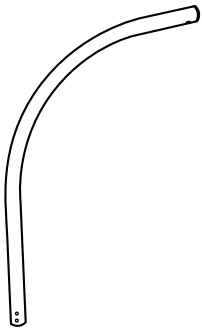


X2

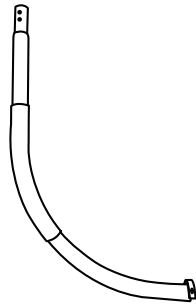


15MIN

A x1



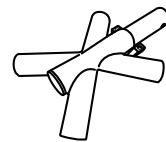
B x1



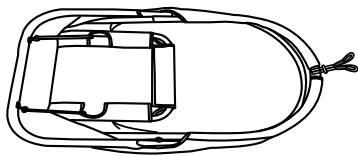
C x4



D x1



E x1

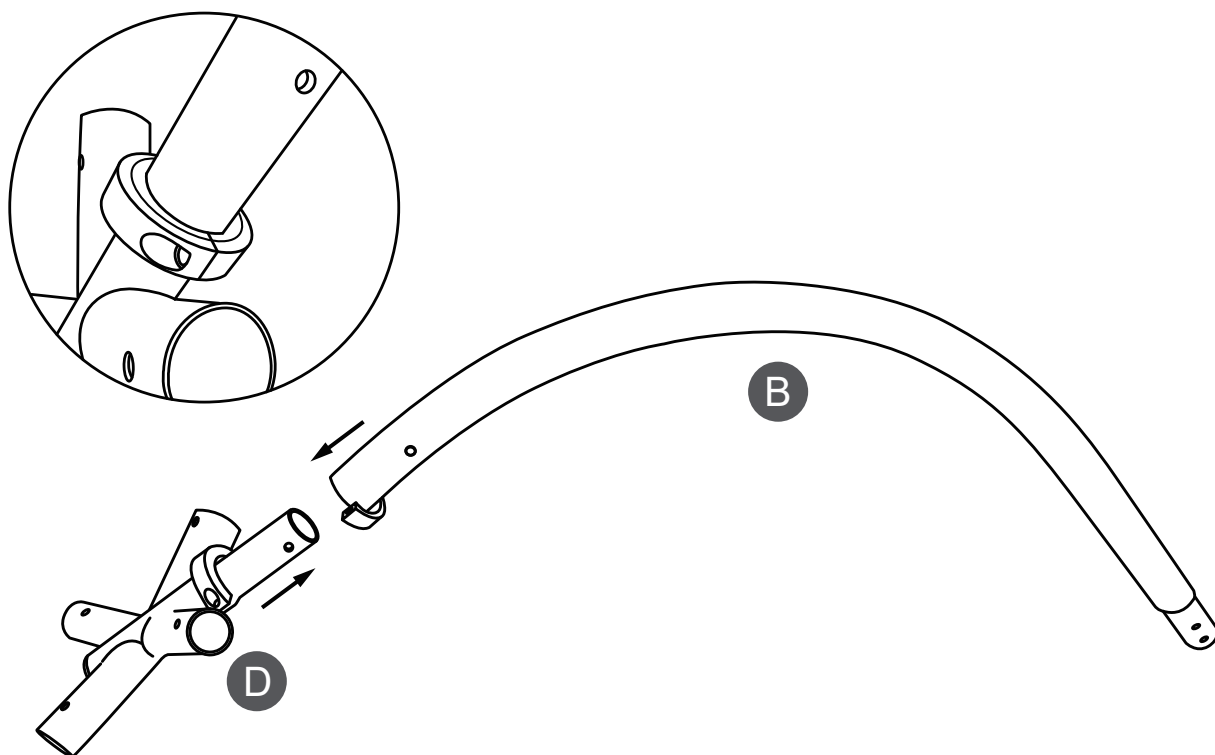


F x1

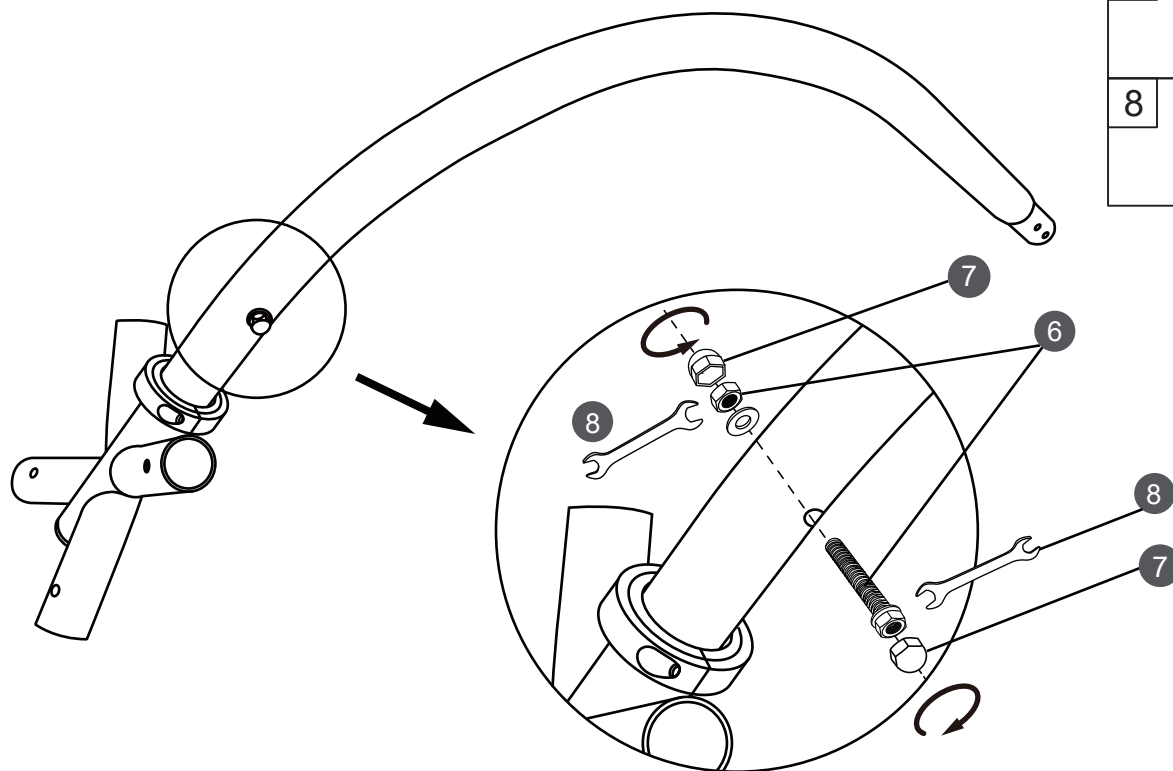





<p>1</p> <p>1x</p>	<p>2</p> <p>1x</p>	<p>3</p> <p>1x</p>	<p>4</p> <p>M8x12mm</p> <p>2x</p>	<p>5</p> <p>4x</p>	<p>6</p> <p>M8x60mm</p> <p>3x</p>
<p>7</p> <p>6x</p>	<p>8</p> <p>2x</p>	<p>9</p> <p>1x</p>			

1

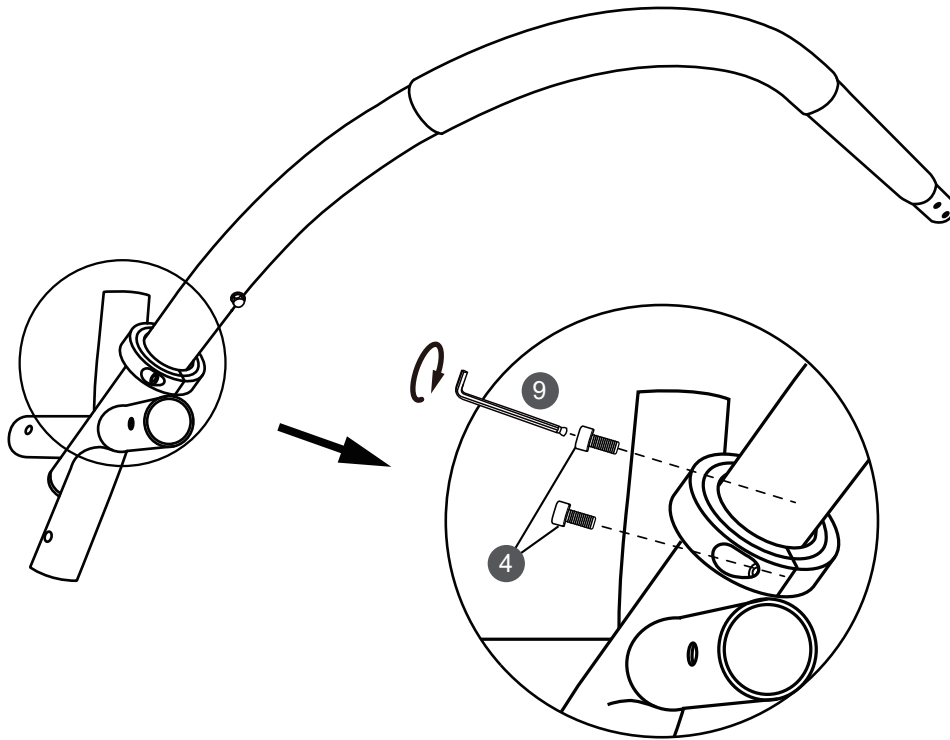



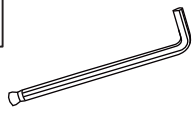
2



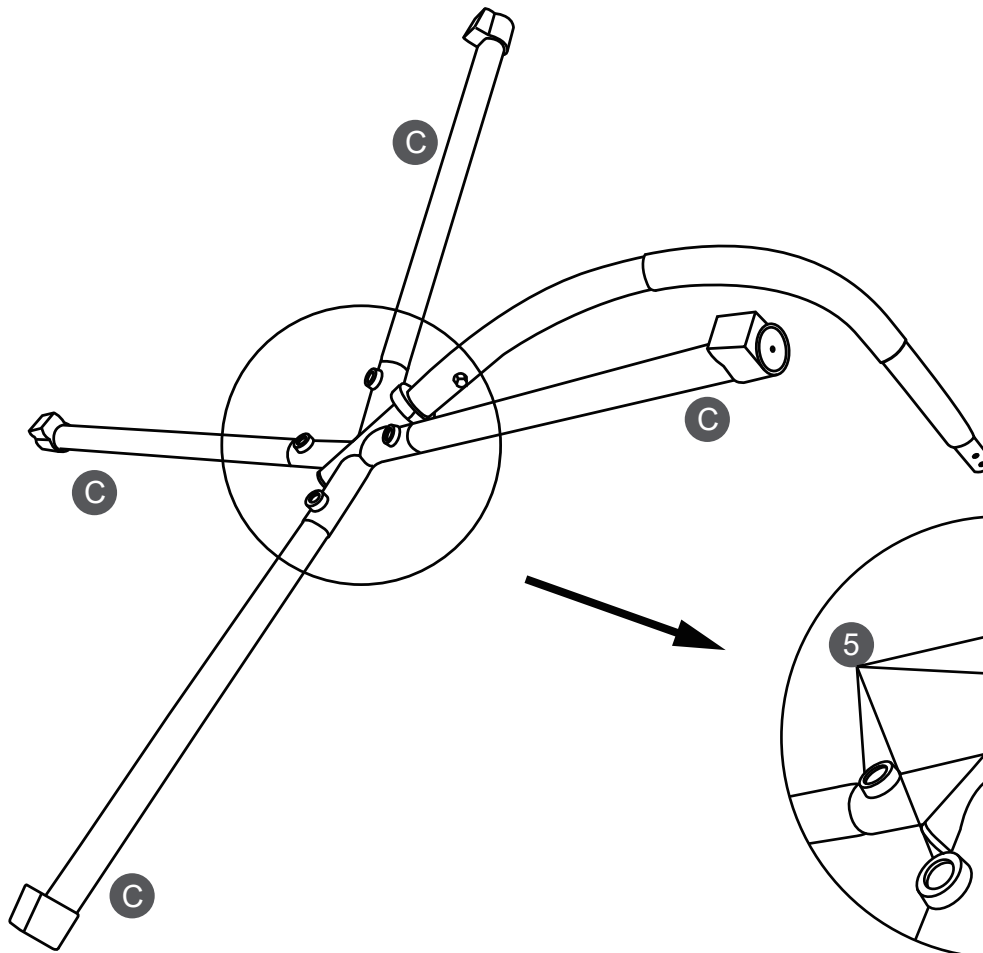
6	M8x60mm
	
	1x
7	
	2x
8	
	2x


3



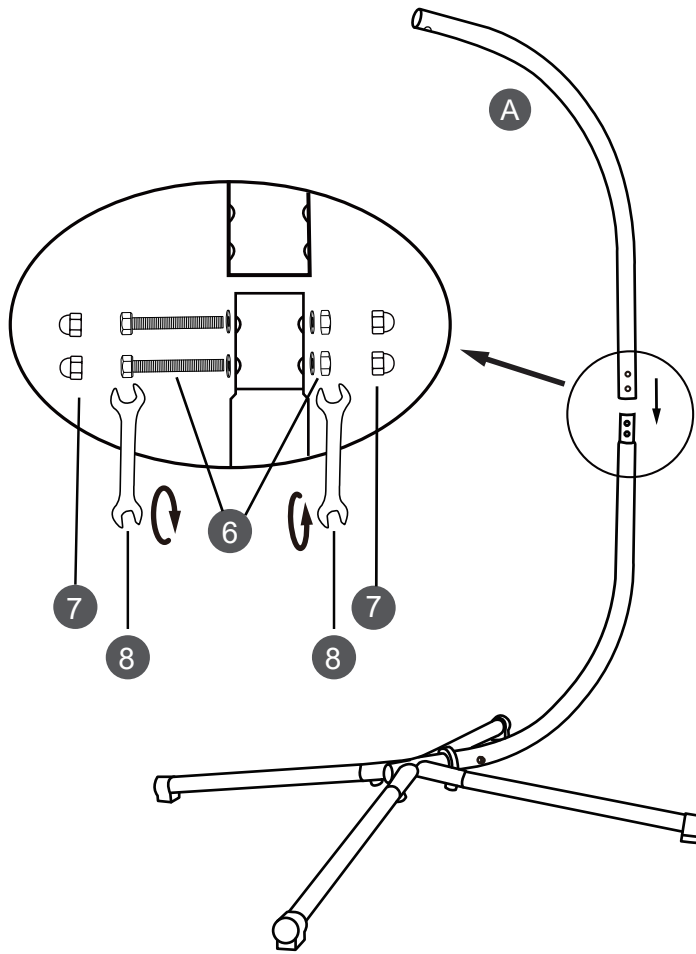
4	M8x12mm
	
	2x
9	
	1x




4



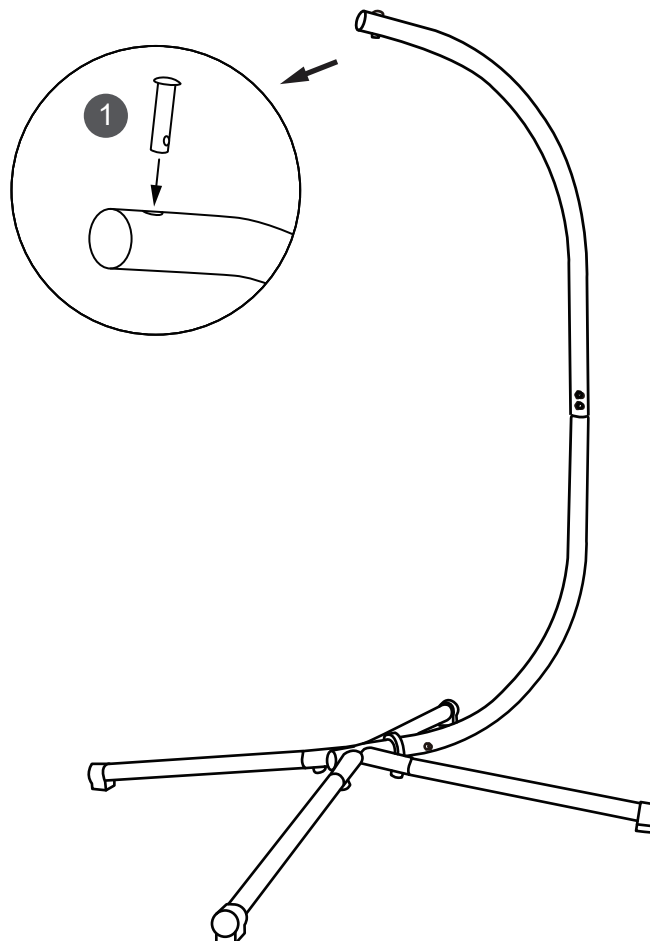
5	
	4x

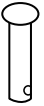
5



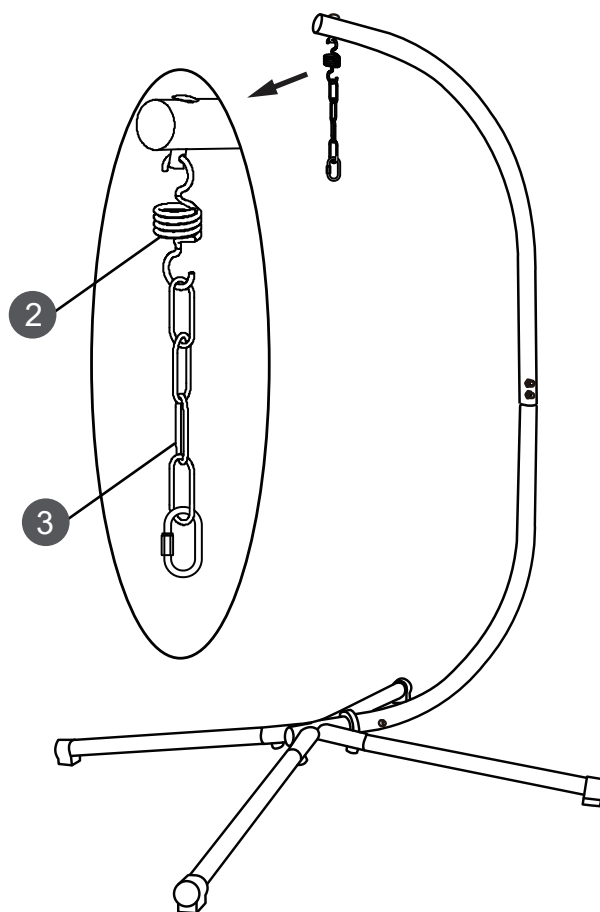
6	M8x60mm
	
	2x
7	
	4x
8	
	2x



6



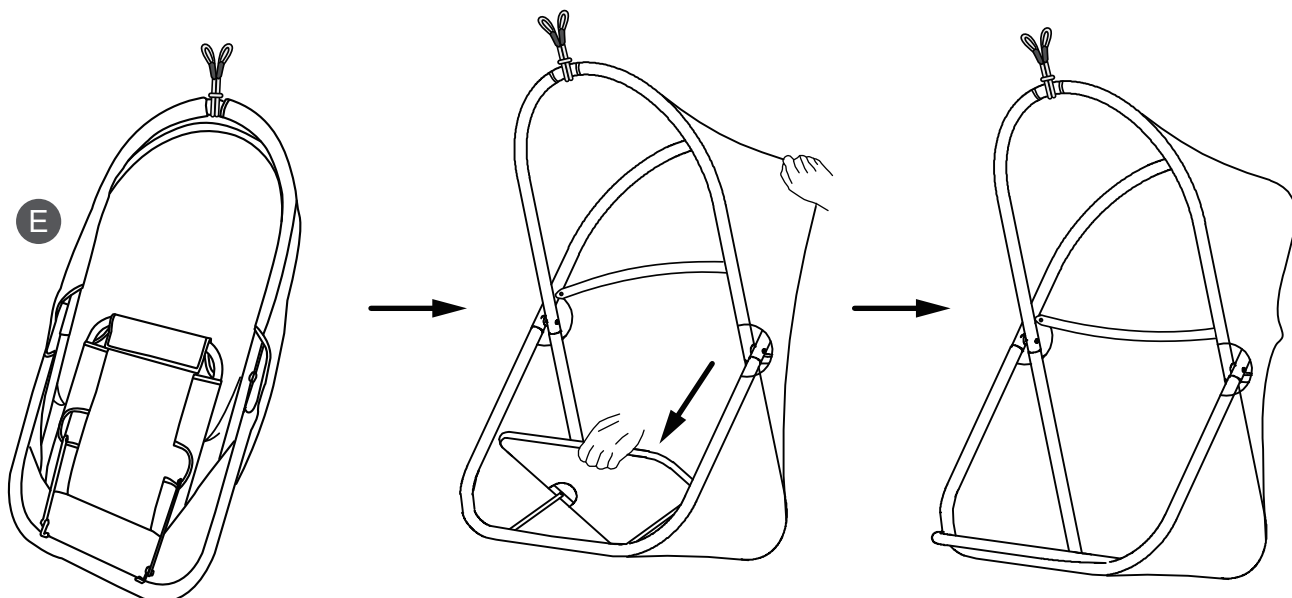
1	
	1x

7

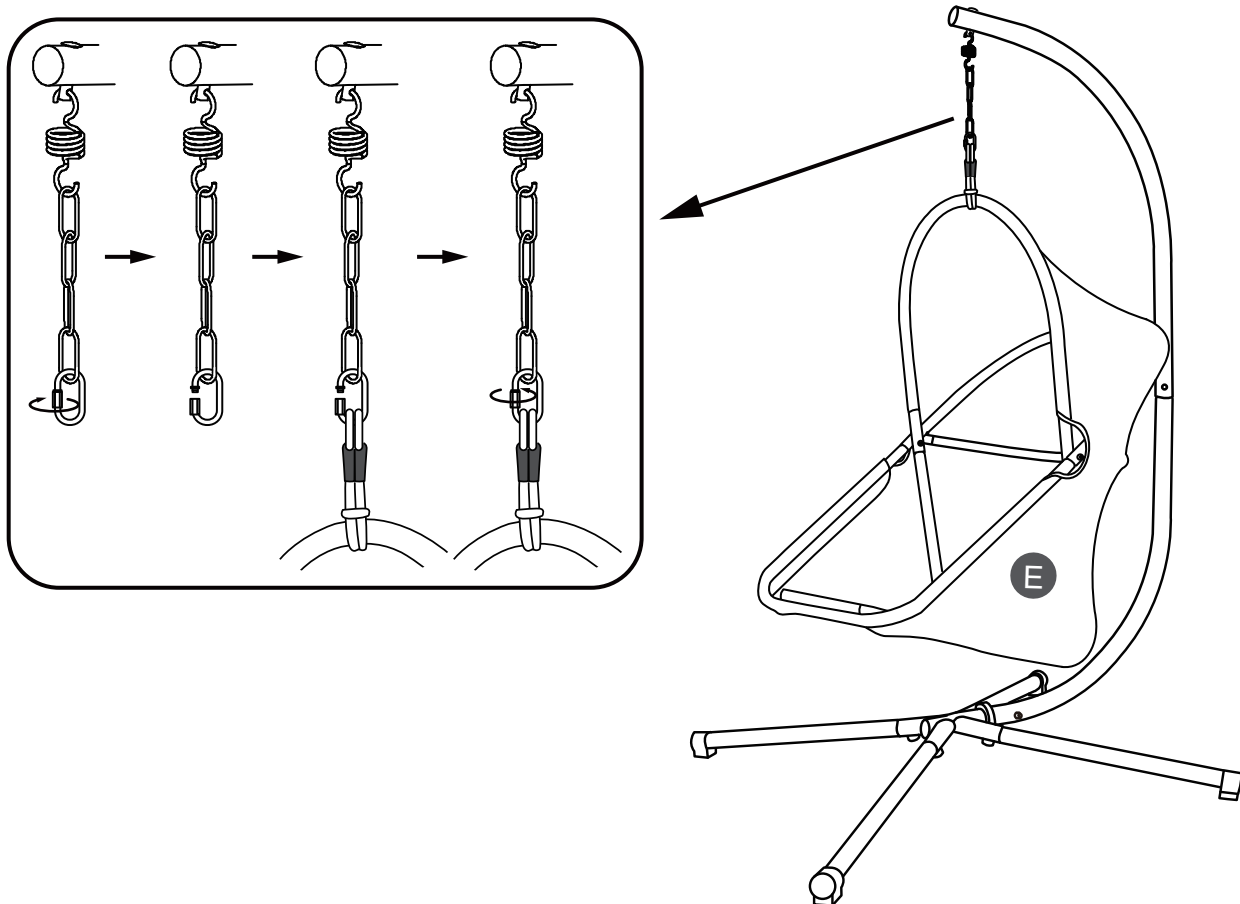


- 2  1x
- 3  1x

8



9



10

