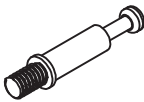















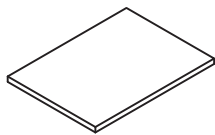
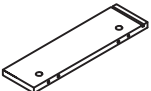
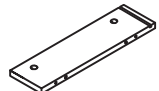
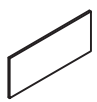
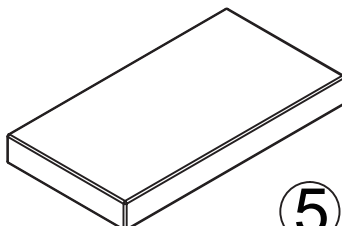
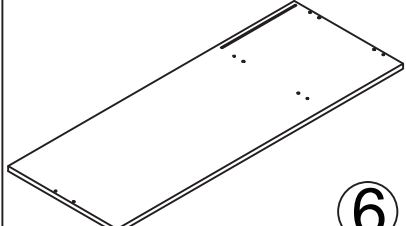
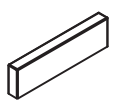
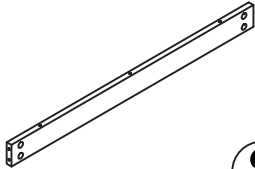
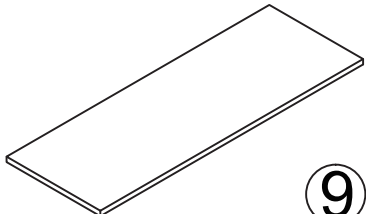
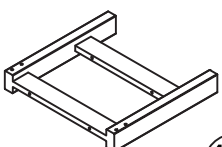
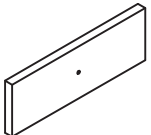
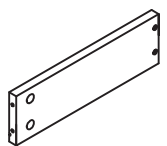
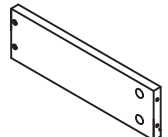
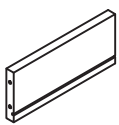
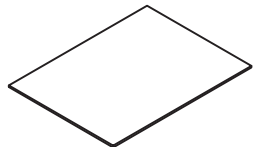
X 2



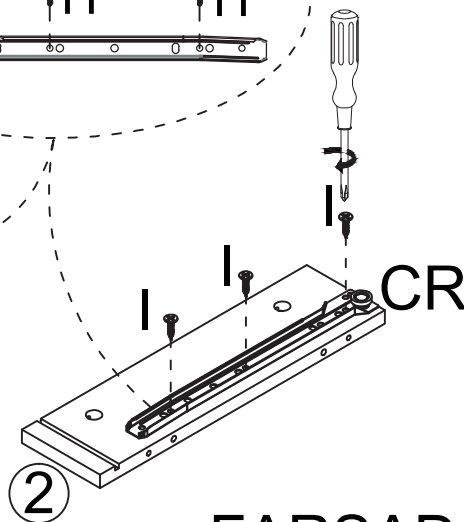
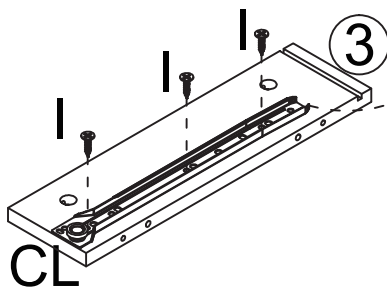
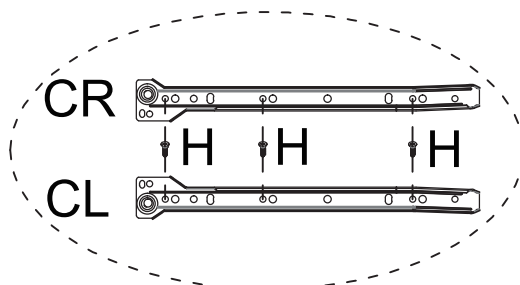
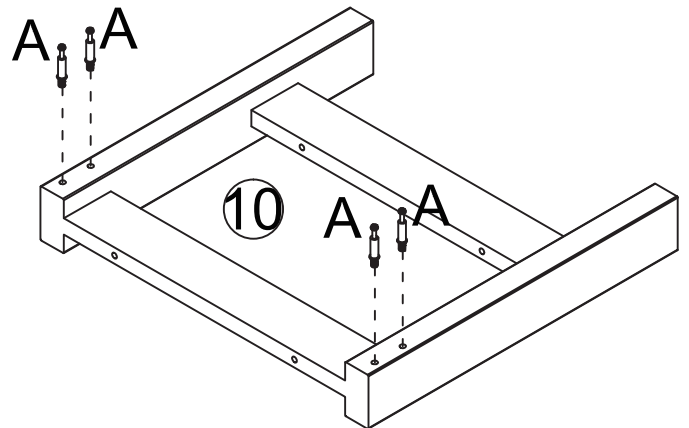
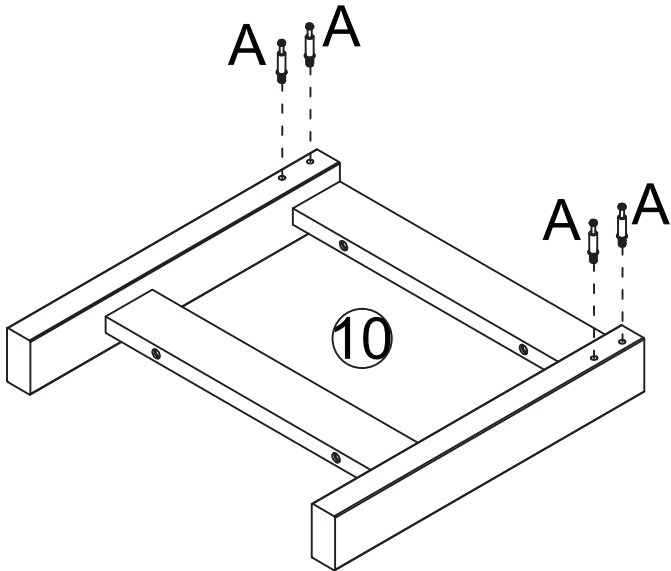
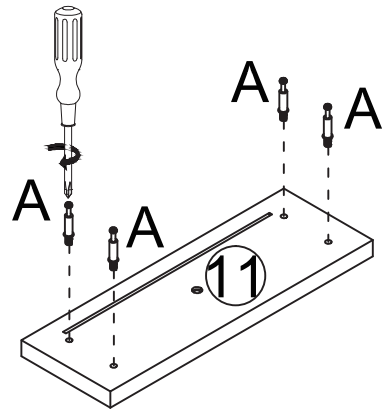
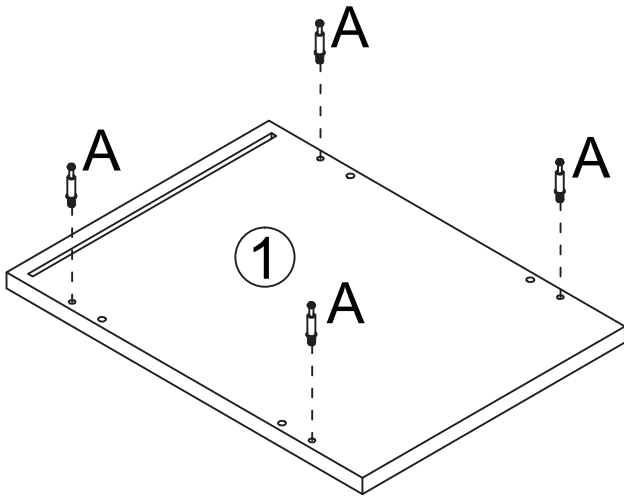
30min



<p>A</p>  <p>x16</p>	<p>B</p>  <p>x16</p>	<p>C</p>  <p>x8</p>	<p>D</p>  <p>(Ø4*55mm) x14</p>	<p>E</p>  <p>(Ø4*35mm) x10</p>	<p>F</p>  <p>x1</p>	<p>G</p>  <p>(M4*18mm) x1</p>
<p>H</p>  <p>x4</p>	<p>I</p>  <p>(Ø3.5*12mm) x12</p>	<p>J</p>  <p>x16</p>	<p>CL</p>  <p>x1</p>	<p>CR</p>  <p>x1</p>	<p>DL</p>  <p>x1</p>	<p>DR</p>  <p>x1</p>

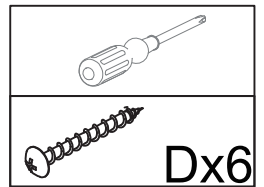
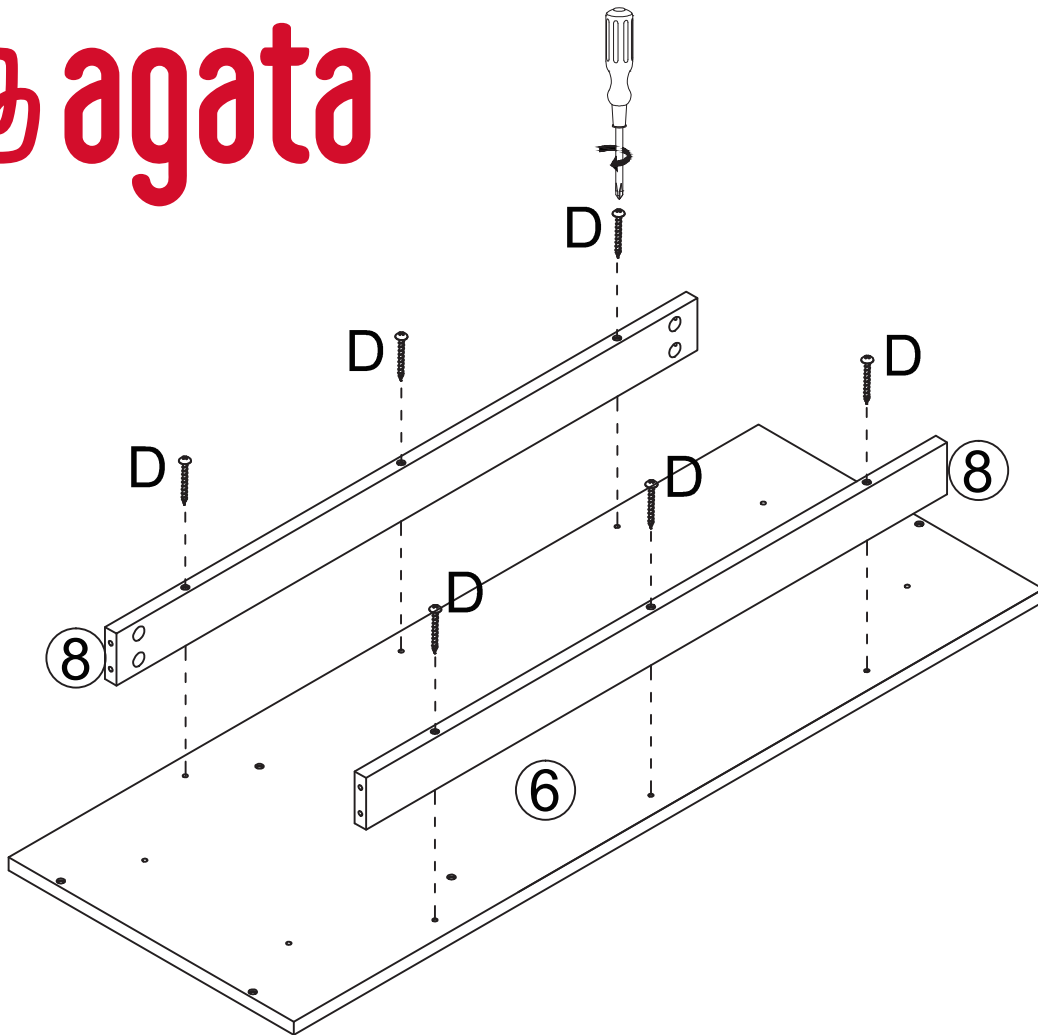
 <p>① x1</p>	 <p>② x1</p>	 <p>③ x1</p>
 <p>④ x1</p>	 <p>⑤ x1</p>	 <p>⑥ x1</p>
 <p>⑦ x1</p>	 <p>⑧ x2</p>	 <p>⑨ x1</p>
 <p>⑩ x2</p>	 <p>⑪ x1</p>	 <p>⑫ x1</p>
 <p>⑬ x1</p>	 <p>⑭ x1</p>	 <p>⑮ x1</p>

1

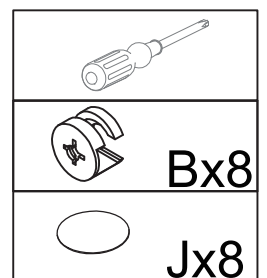
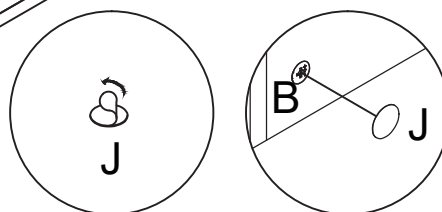
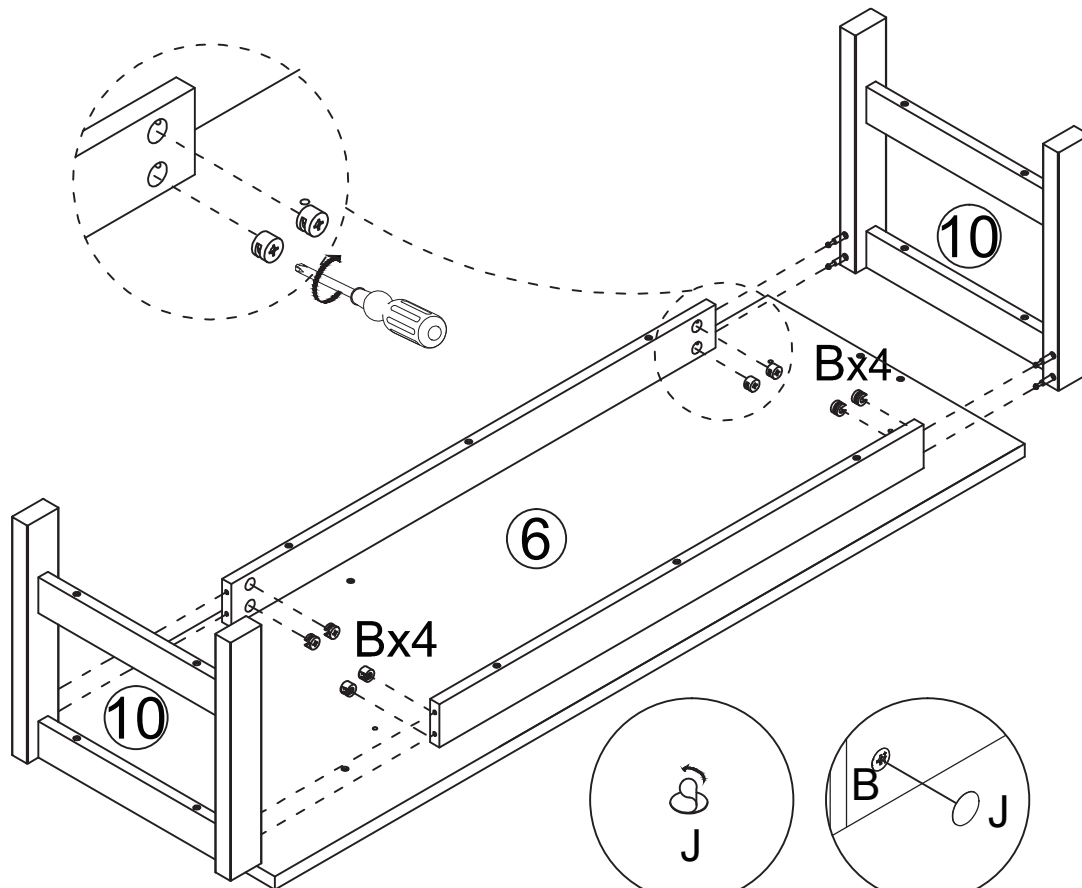


	Ax16
	Ix6
	CLx1
	CRx1

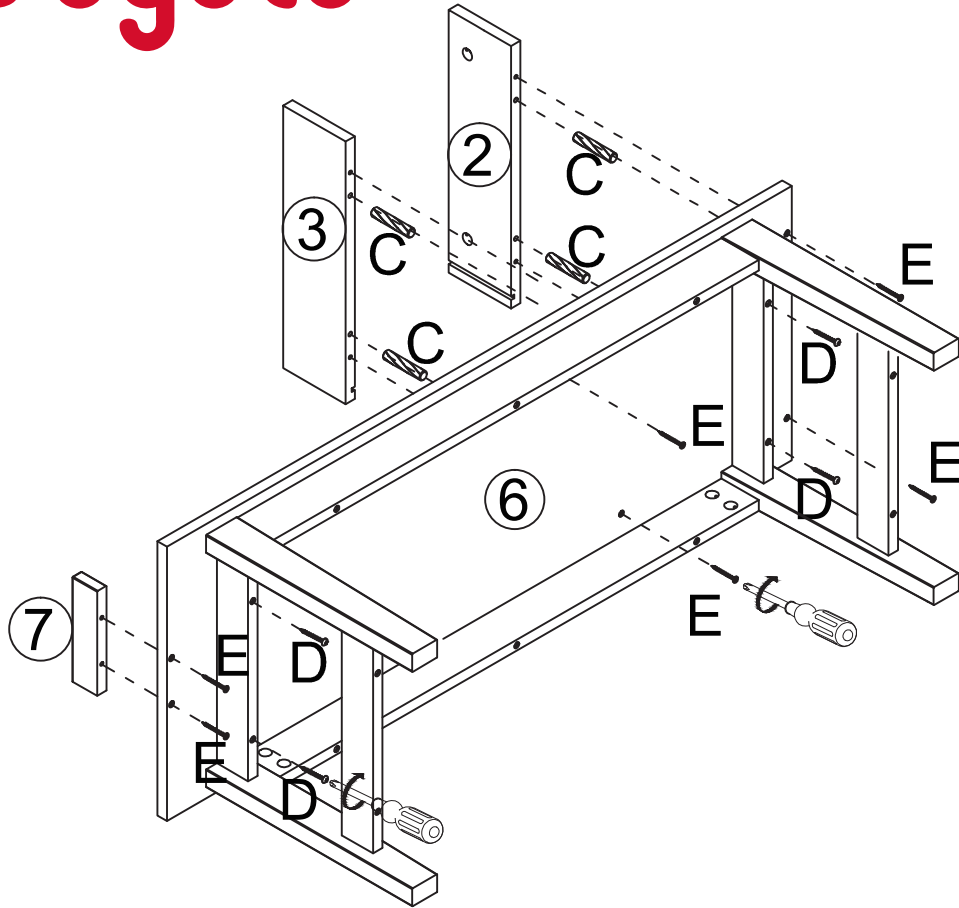
2



3

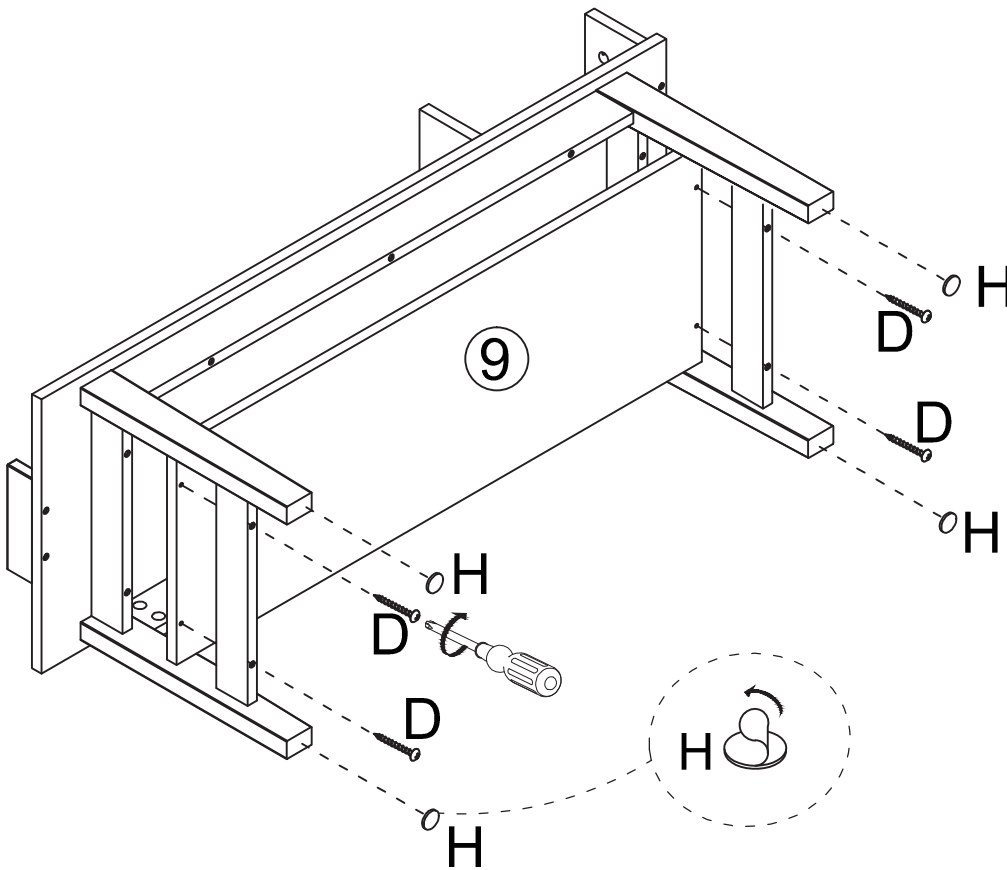


4



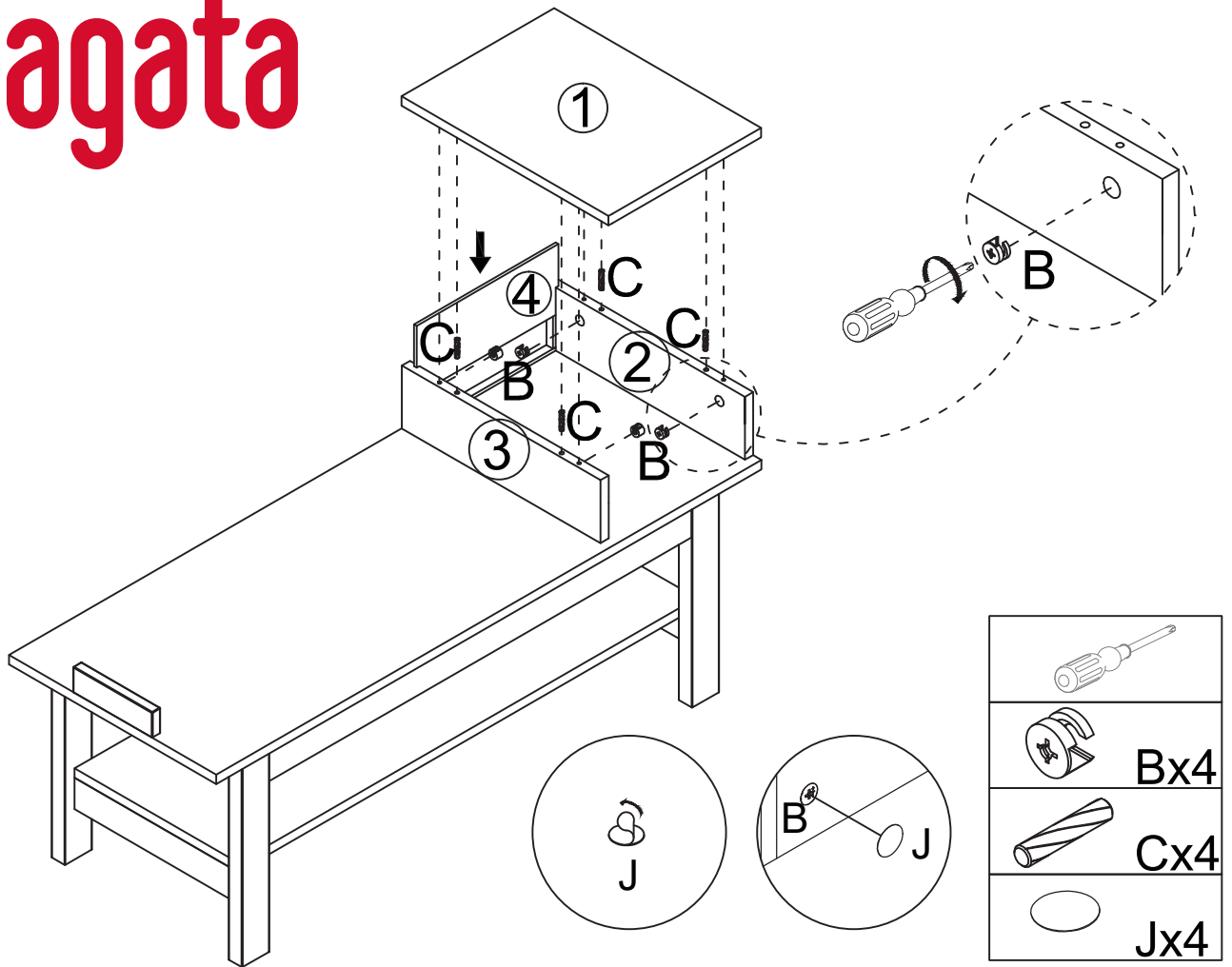
	Cx4
	Dx4
	Ex6

5

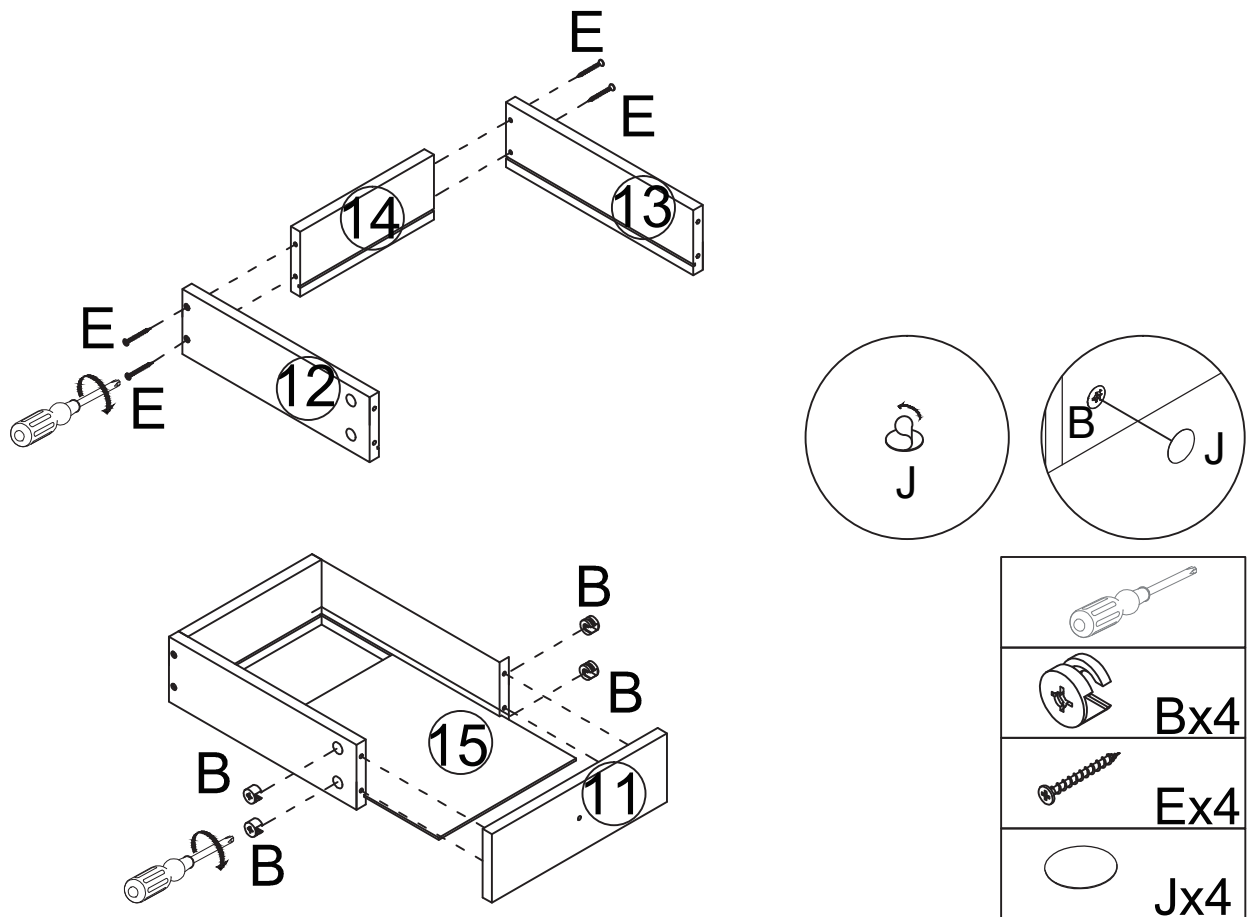


	Dx4
	Hx4

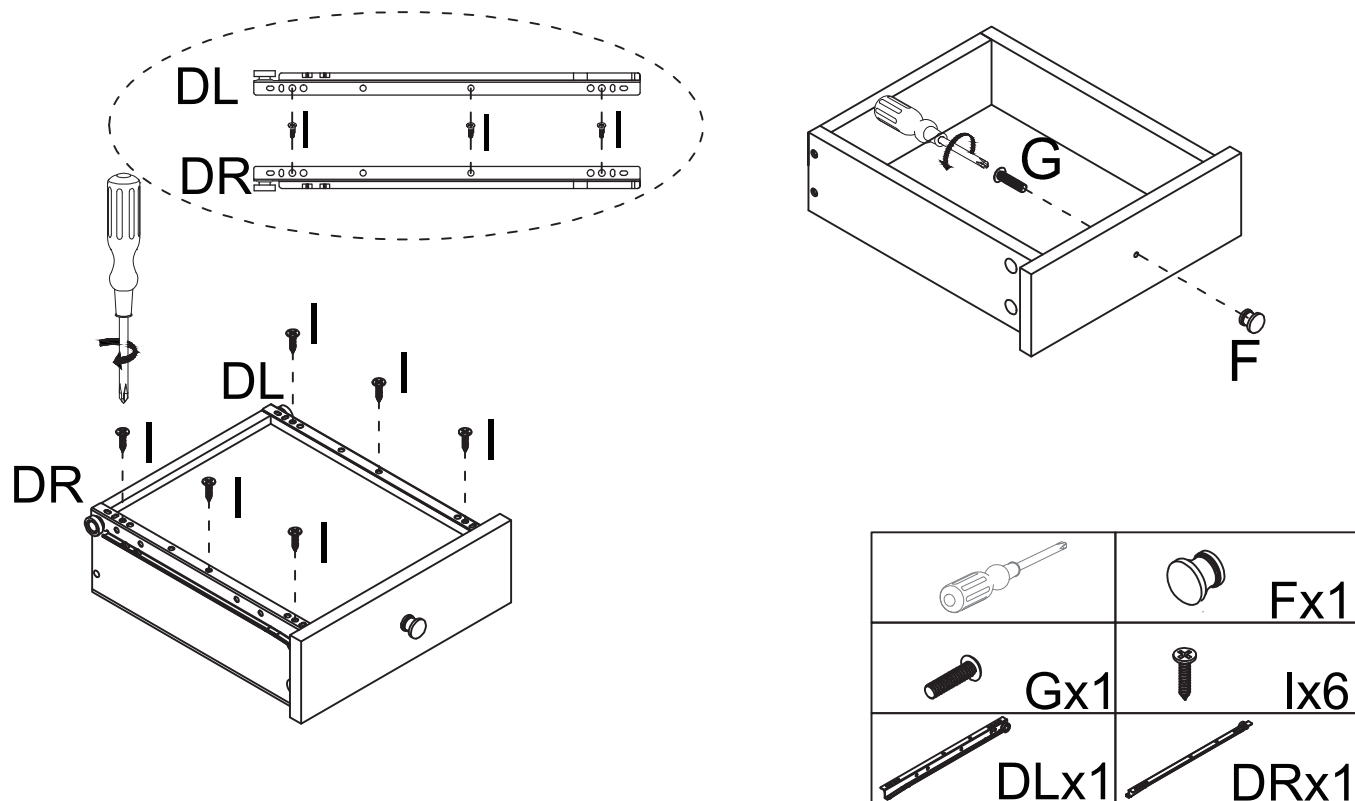
6



7



8



9

