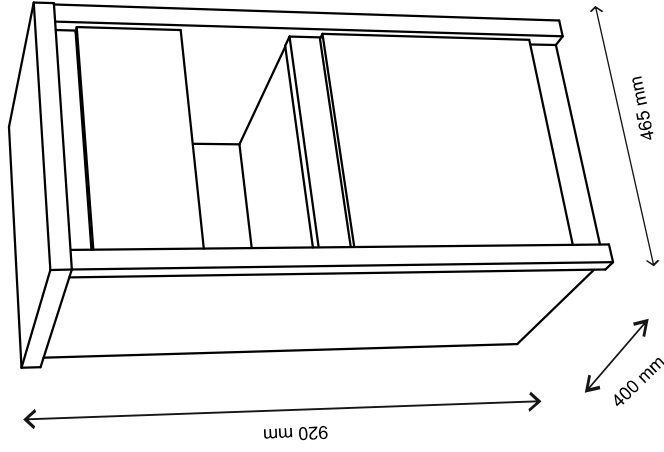
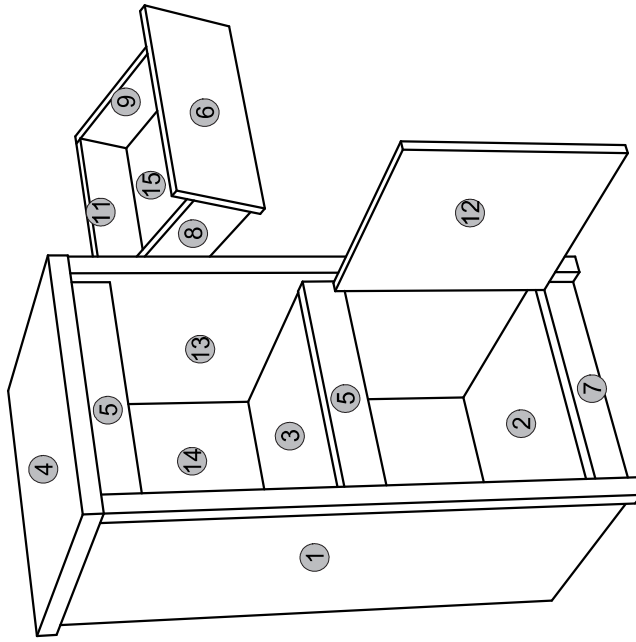
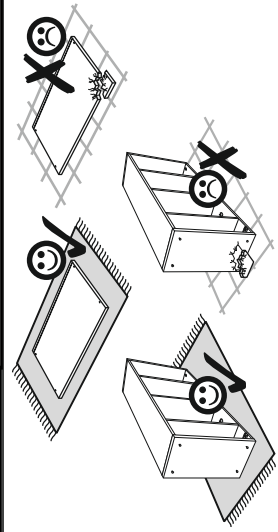
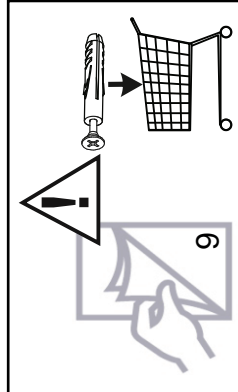
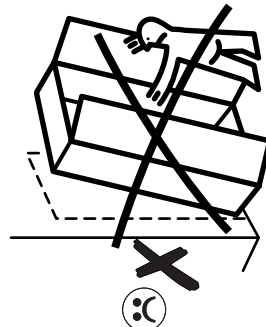
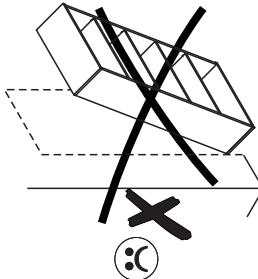
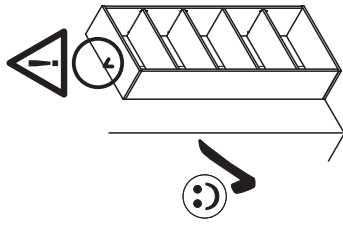
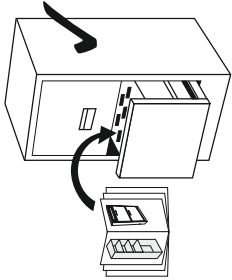
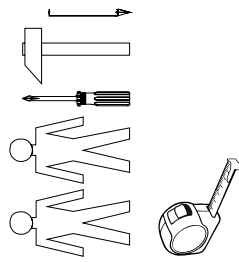
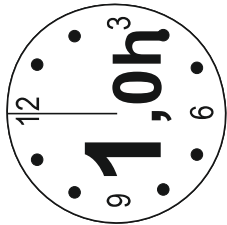
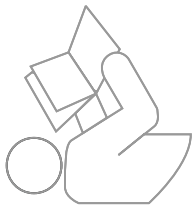
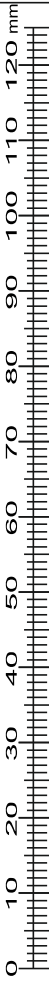
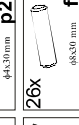
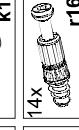
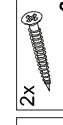
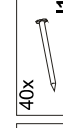
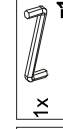
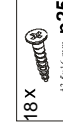
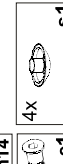
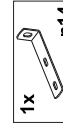


# Installation manual

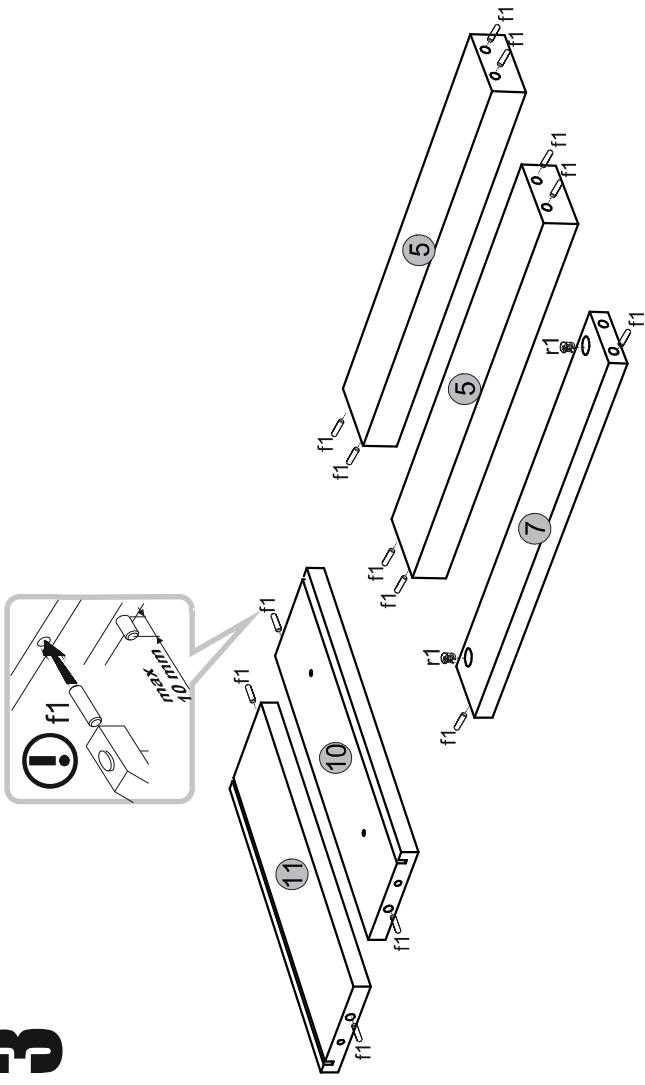
NORTON: KOM\_1D1S\_HW



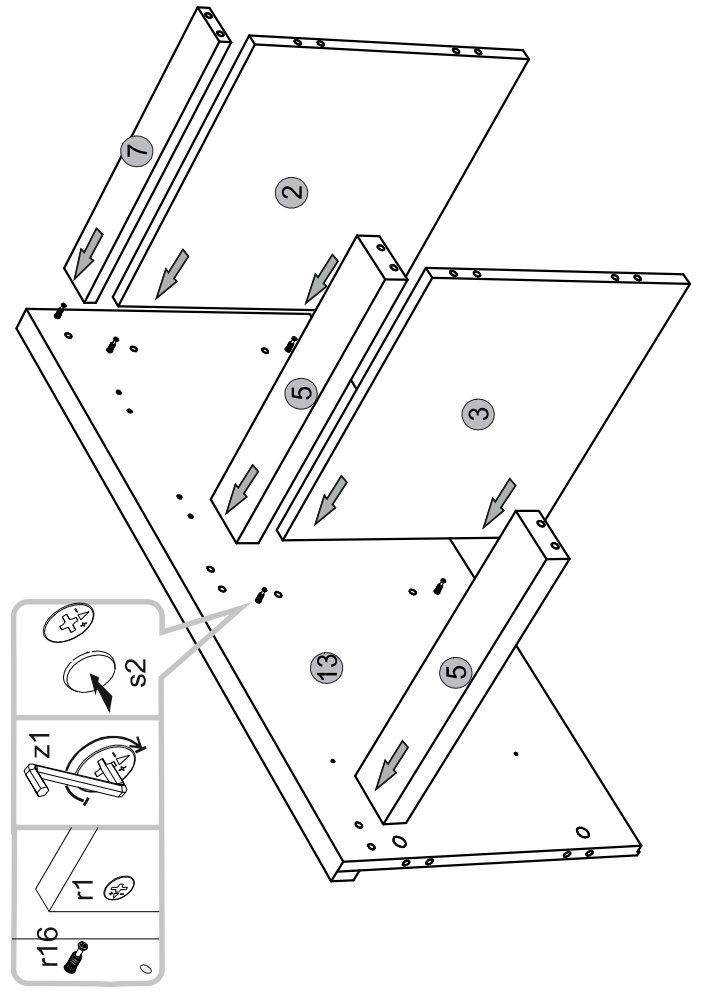
Element symbol	Dimensions		Code	Package
1	884	16/32	1 N-011	1/1
2	398	16	1 N-001	1/1
3	398	16	1 N-002	1/1
4	464	16/32/32	1 N-012	1/1
5	70	398	30 2 N-013	1/1
6	170	392	16 1 N-008	1/1
7	60	398	16 1 N-009	1/1
8	350	110	16 1 N-004	1/1
9	350	110	16 1 N-005	1/1
10	341	110	16 1 N-006	1/1
11	341	110	16 1 N-007	1/1
12	376	392	16 1 N-003	1/1
13	884	16/32	1 N-010	1/1
14	849	416	3 1 N-014	1/1
15	355	332	3 1 N-015	1/1



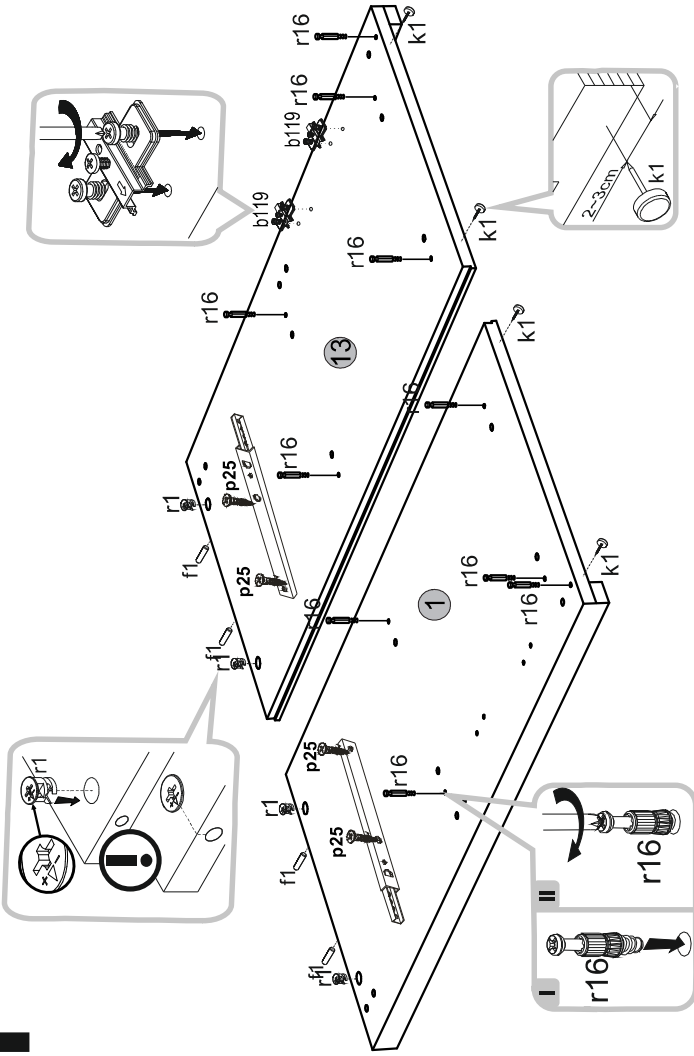
# 3



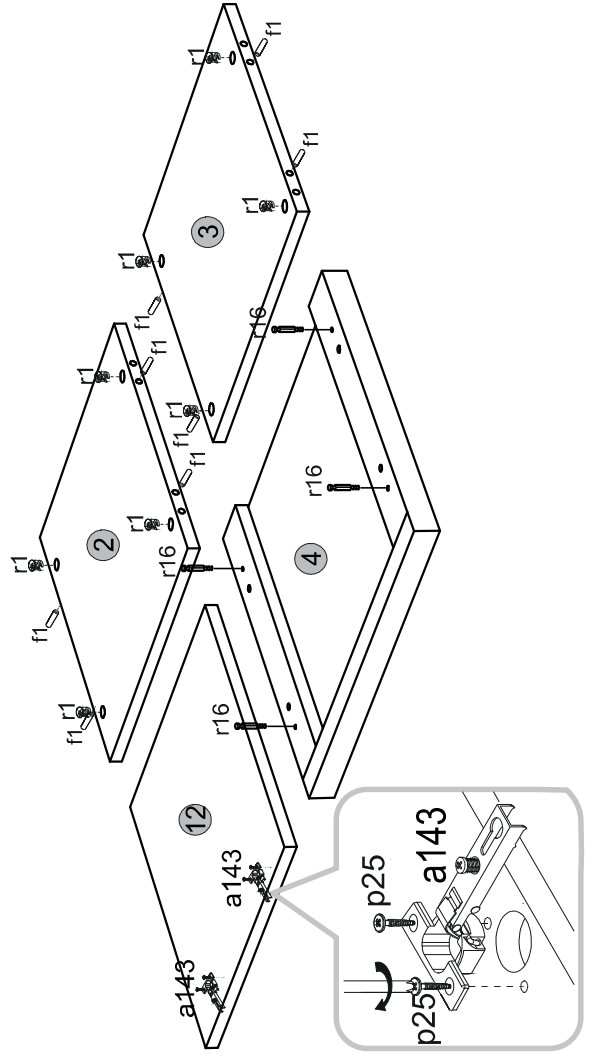
# 4



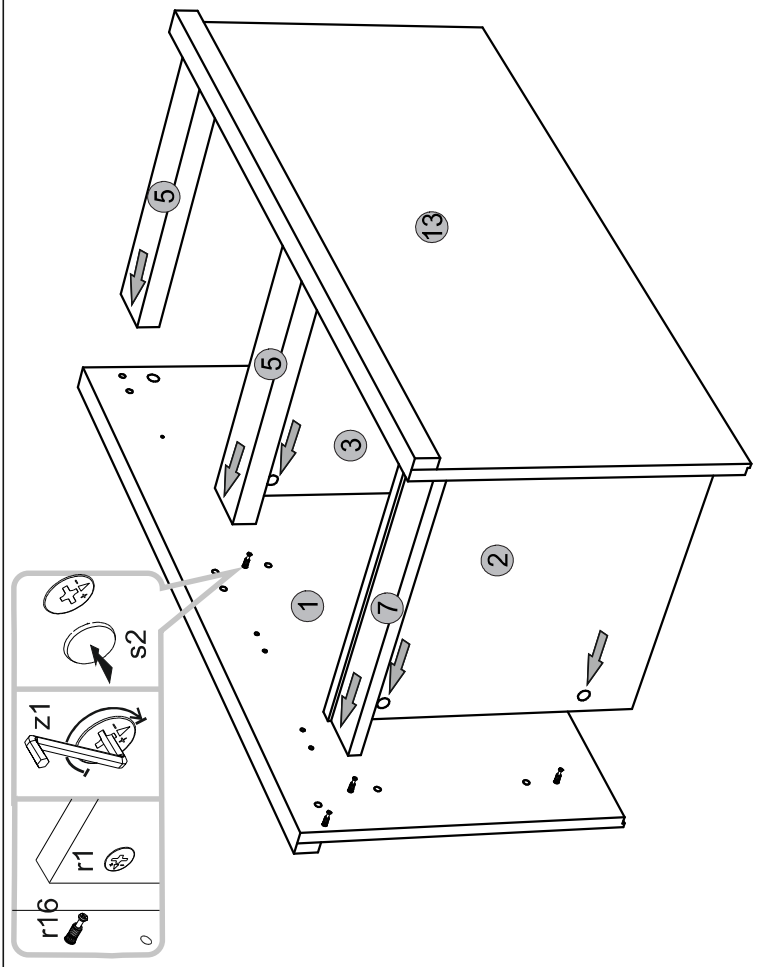
# 1



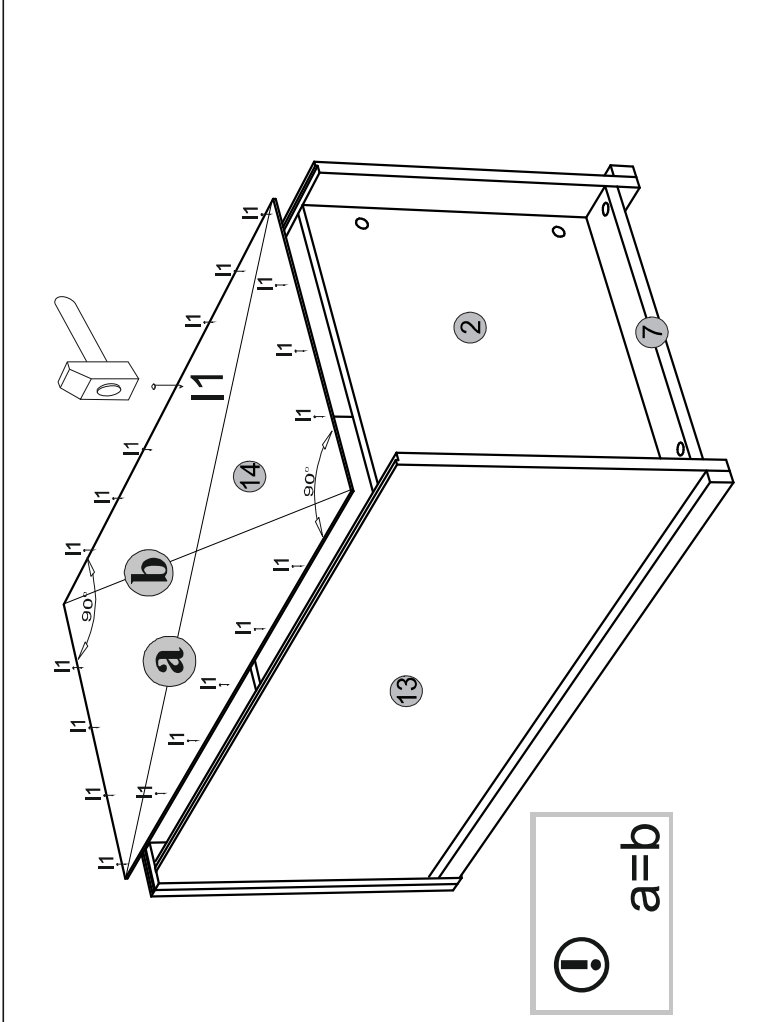
# 2



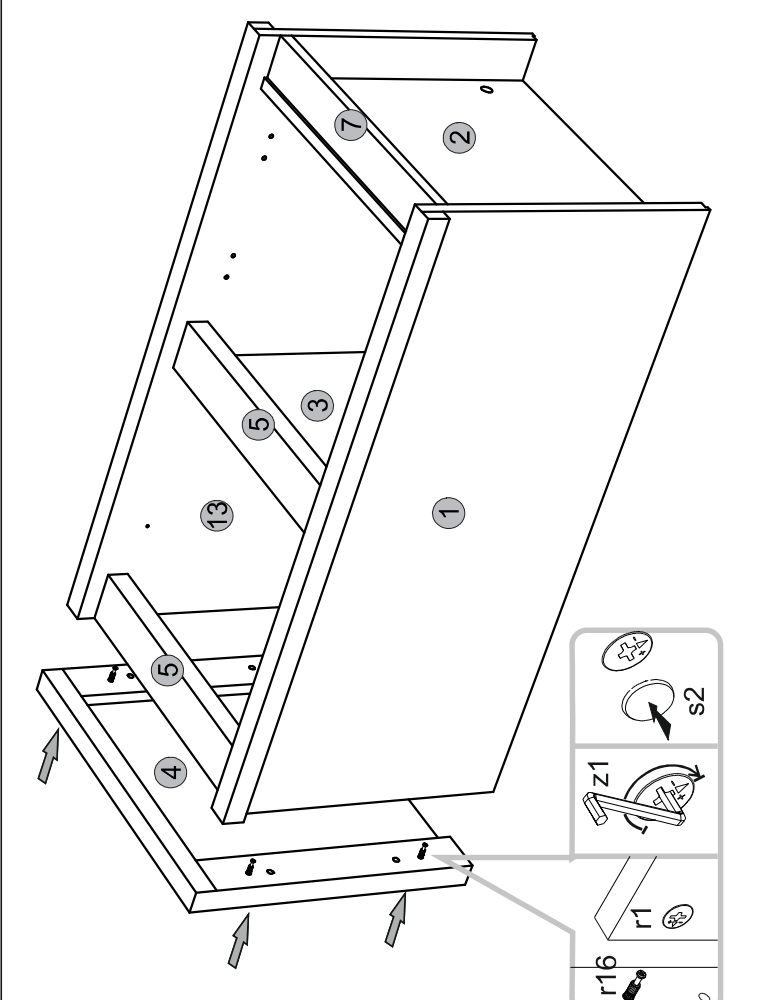
5



7



6



8

