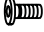
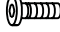





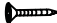



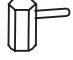



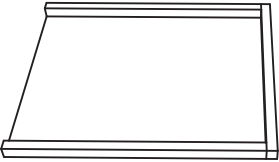
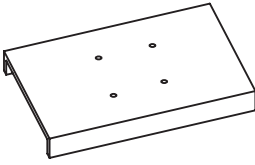
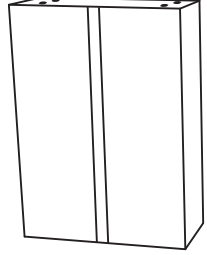
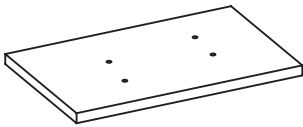
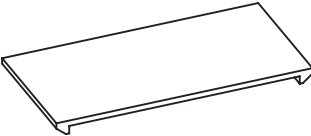

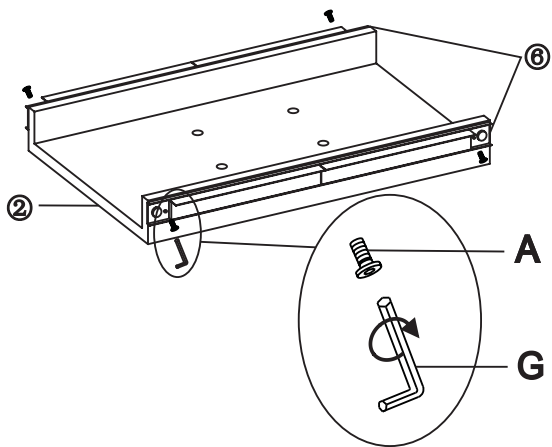
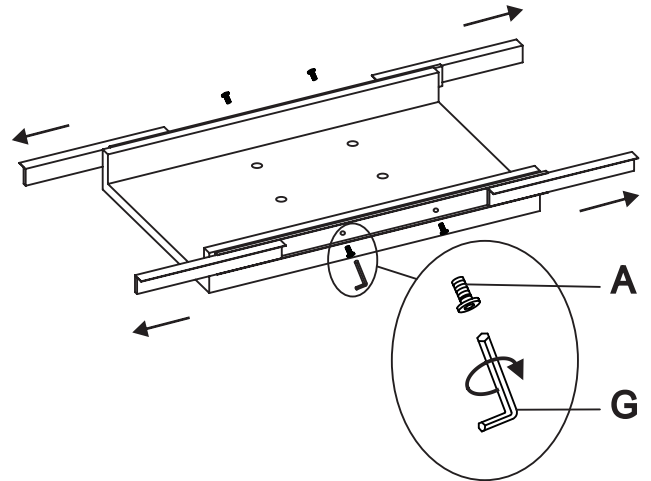
	A (M6x13)X8 	B(M6x16)X12 	C(M8 × 640) × 4 	D(φ 6x φ 16) X12 
	E(φ 8x φ 22) X4 	F (M8) × 4 	G (6 #) × 1 	H(M3.5x14)X16 
	I(M6x13)X4 	Jx4 	Kx4 	L (M8) × 1 
 X2 				
 <p>① X2</p>	 <p>② X1</p>	 <p>③ X1</p>		
 <p>④ X1</p>	 <p>⑤ X1</p>	 <p>⑥ X2</p>		

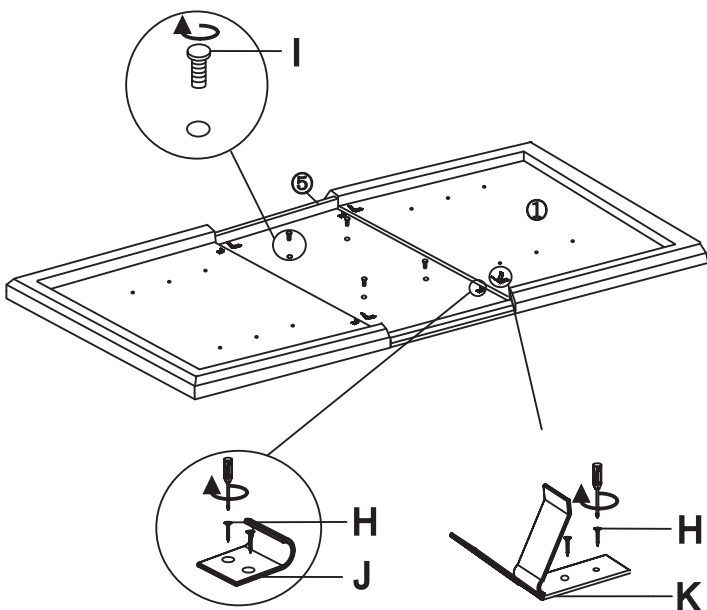
1



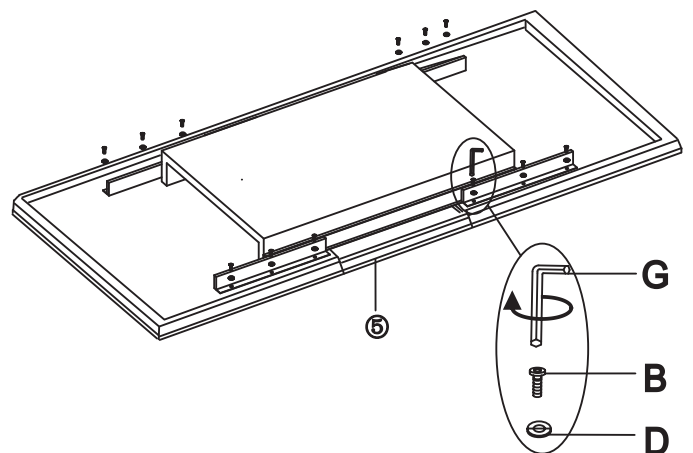
2

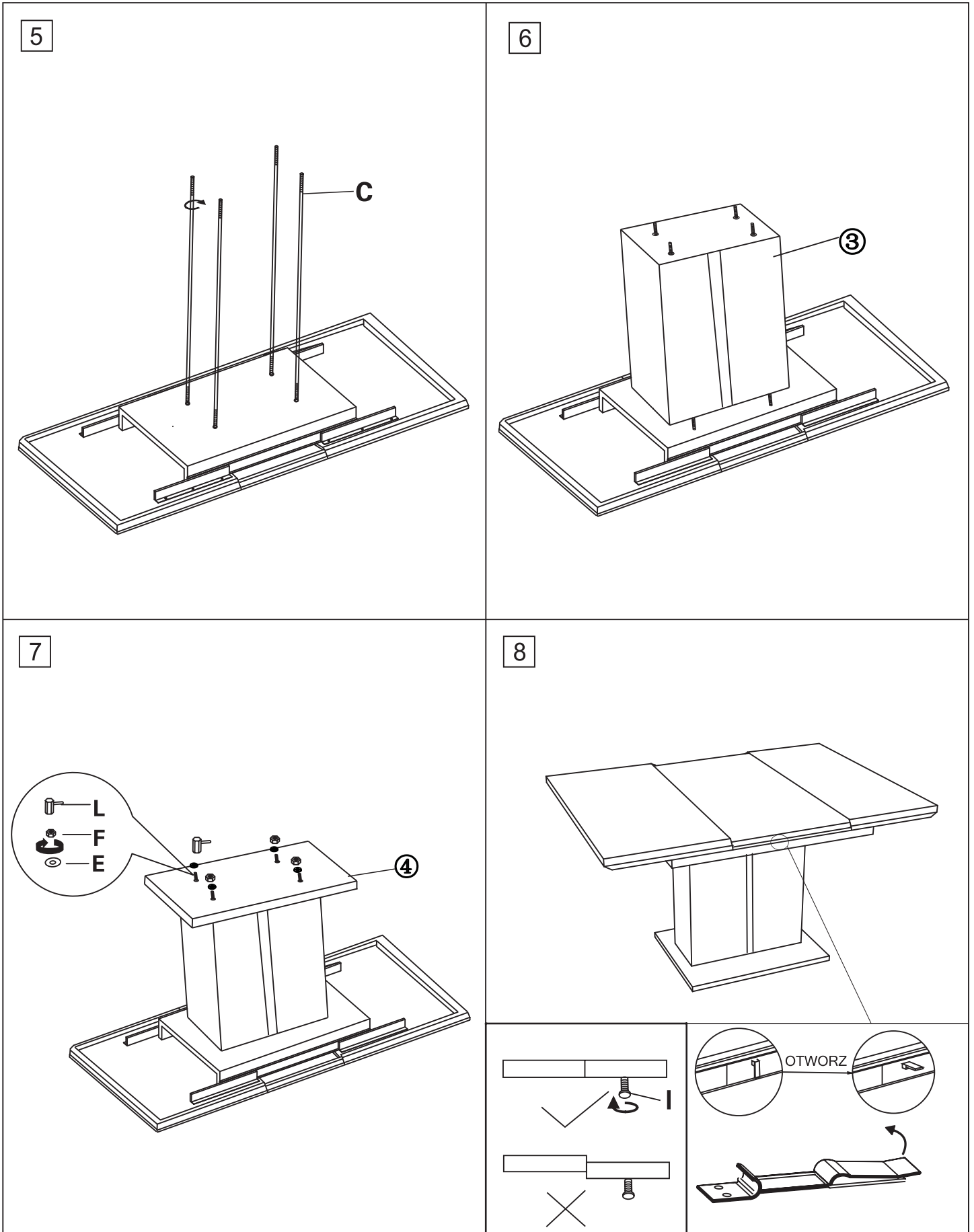


3

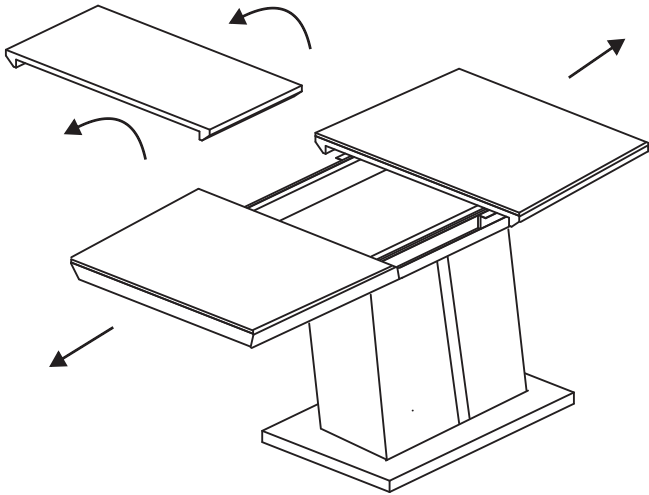


4

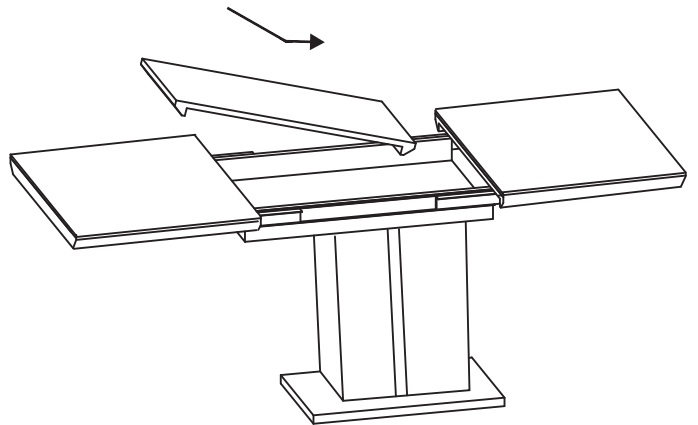




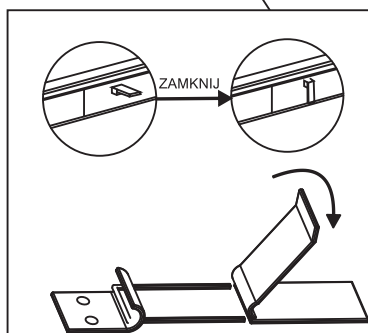
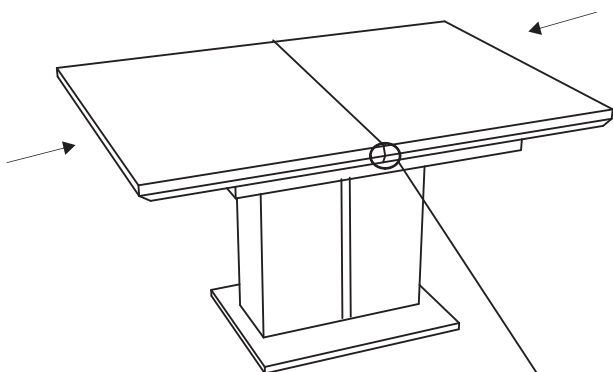
9



10



11



12

