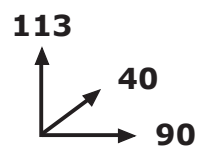
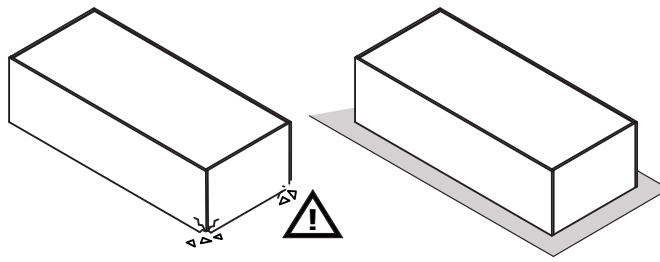
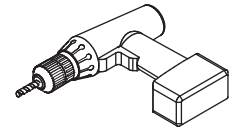
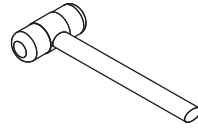
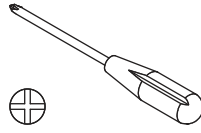
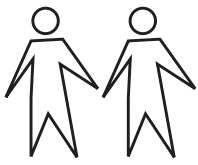
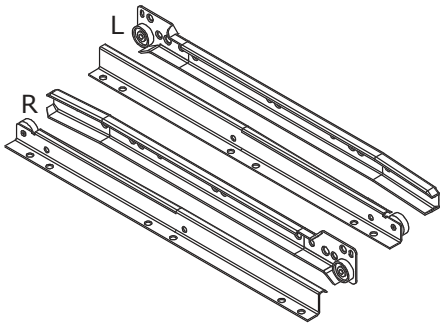


# CT2651K60104

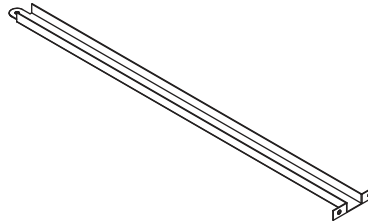




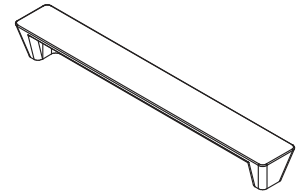
**BU3627**



**A14**  
x3



**W405**  
x3



**M144**  
x3

**BU3525**



**V32**  
x6



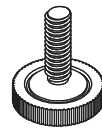
**V5**  
x30



**H14**  
x2



**V13**  
x12



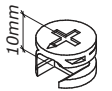
**P34**  
x4



**T94**  
x4



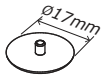
**T28**  
x18



**T98**  
x12



**H1**  
x14



**G128**  
x12



**H2**  
x12



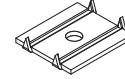
**H113**  
x2



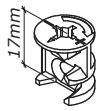
**H16**  
x1



**H106**  
x1



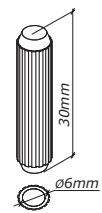
**H99**  
x6



**T92**  
x6



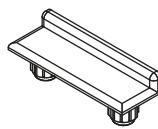
**V10**  
x2



**H186**  
x8



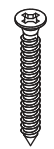
**V98**  
x9



**H114**  
x4



**V20**  
x1



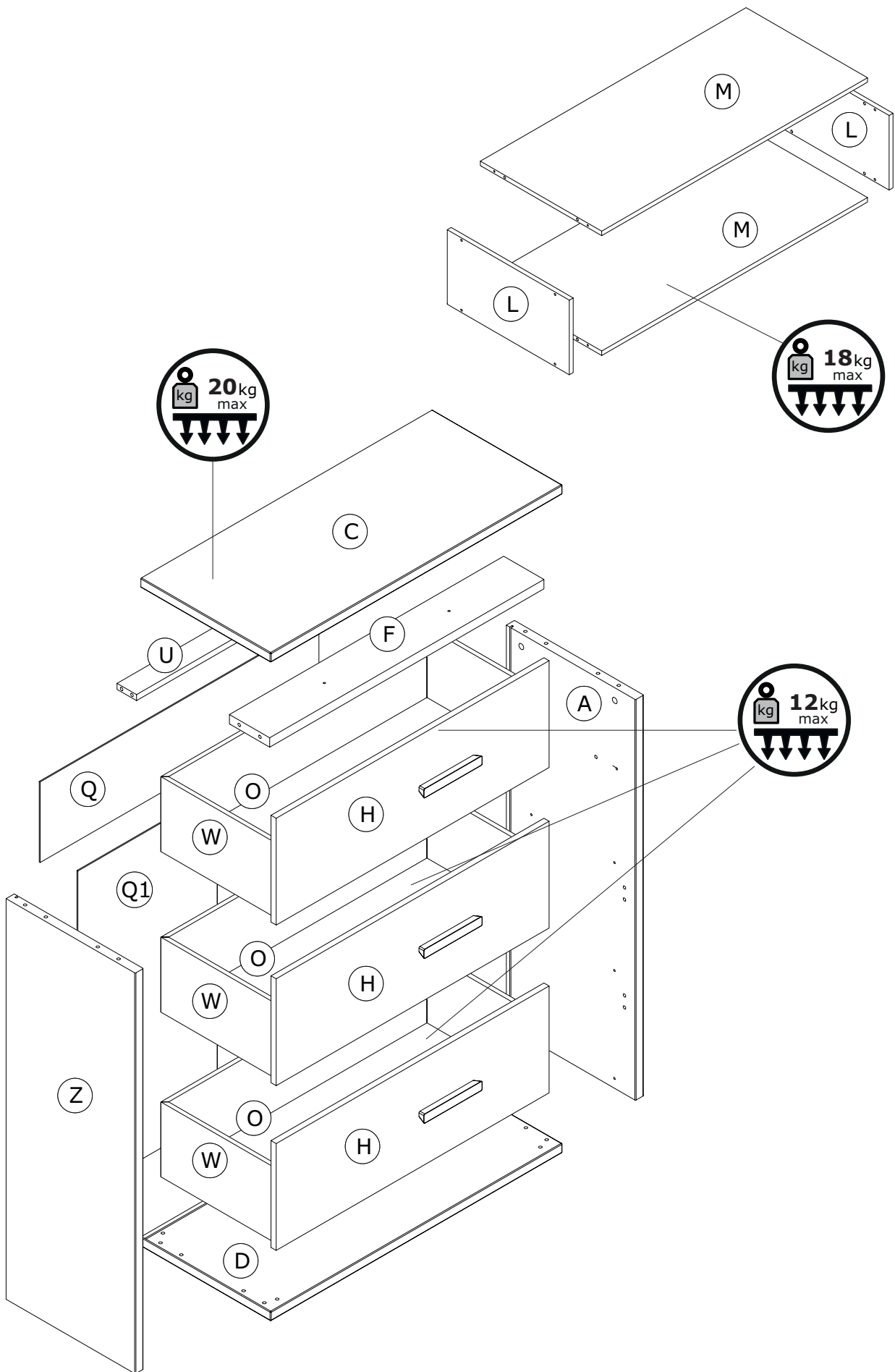
**V67**  
x2

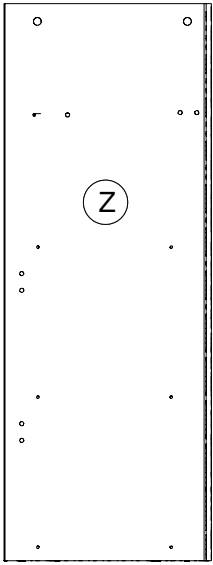


**V57**  
x4

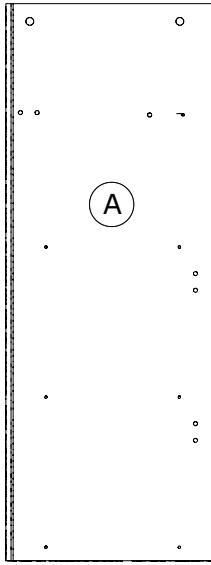


**V130**  
x8

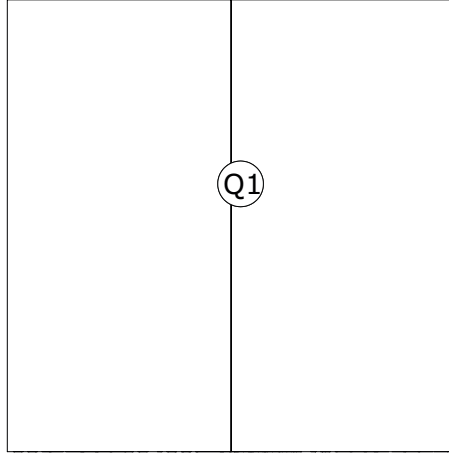




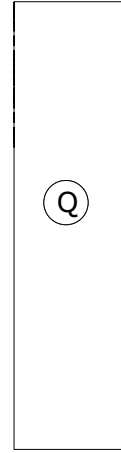
**FI7810**  
1069x398x25mm



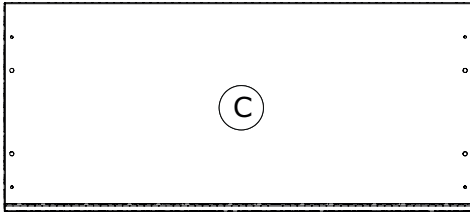
**FI7809**  
1069x398x25mm



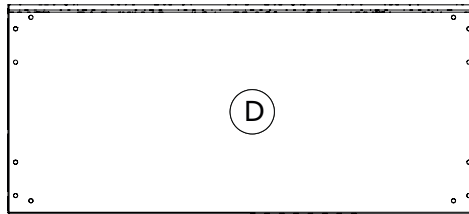
**SH2970**  
867x859x3mm



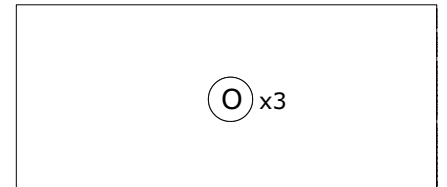
**SH2987**  
859x215x3mm



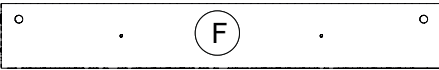
**CA3209**  
899x400x25mm



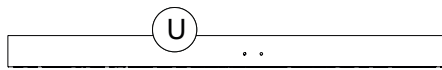
**BA1951**  
899x400x25mm



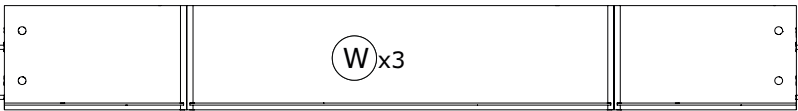
**SH2791**  
807x351x3mm



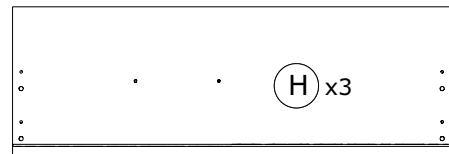
**FS2887**  
845x124x25mm



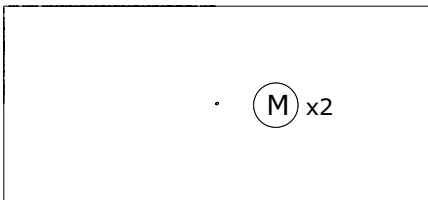
**FS2897**  
845x60x16mm



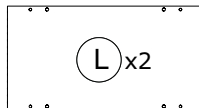
**OF0405**  
350x820x350mm H.200mm



**CS2796**  
841x285x16mm

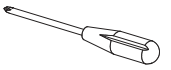
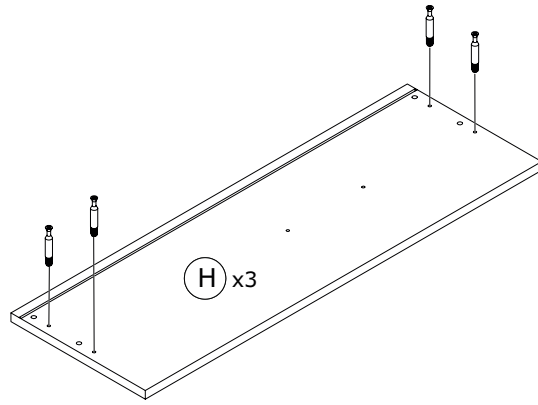
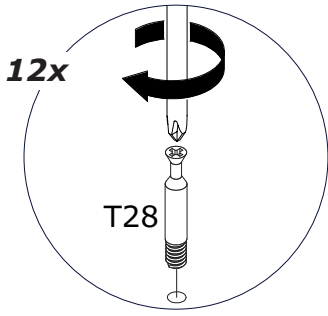


**PI6711**  
819x374x12mm

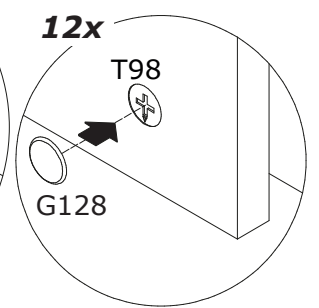
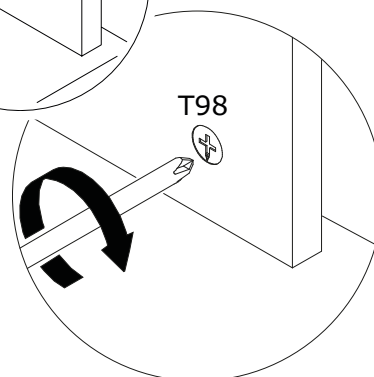
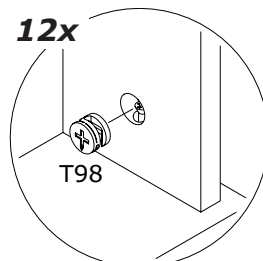
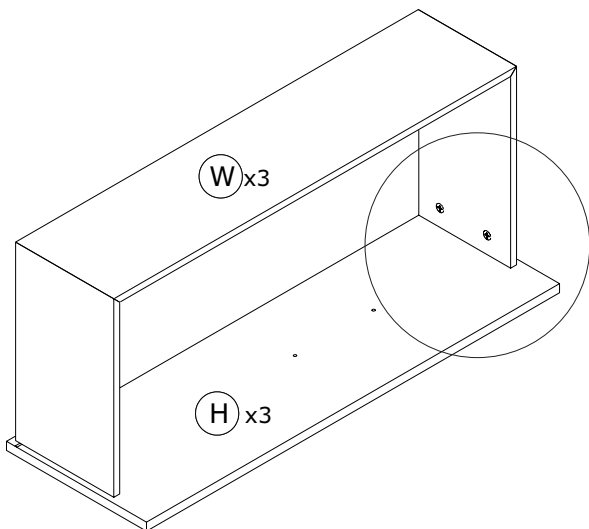
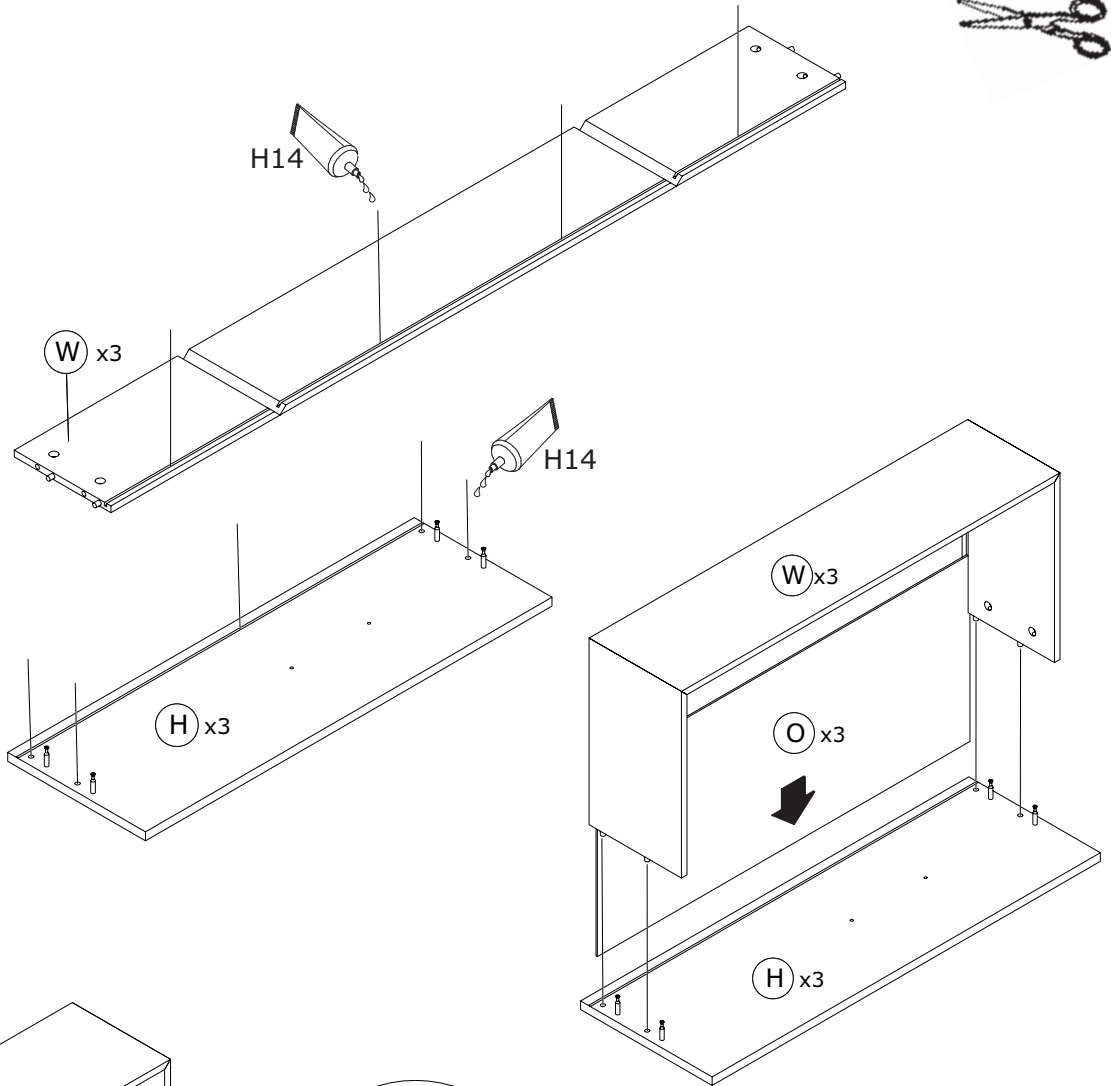
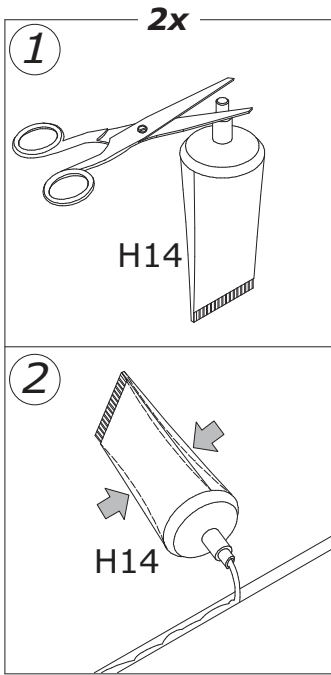


**FI7811**  
199x376x12mm

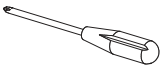
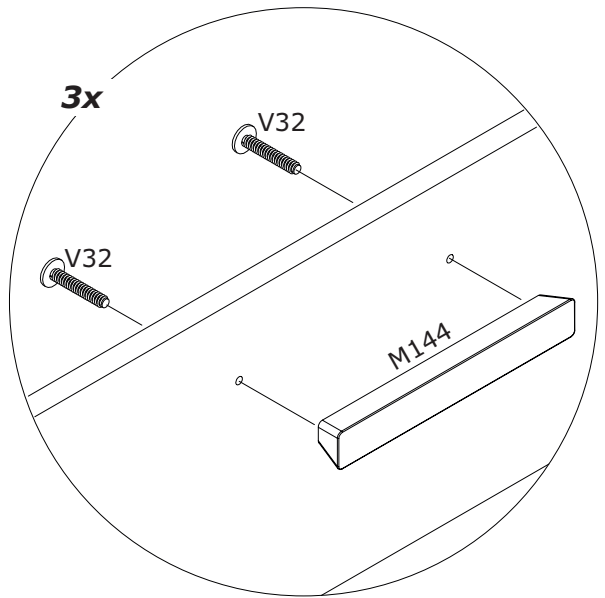
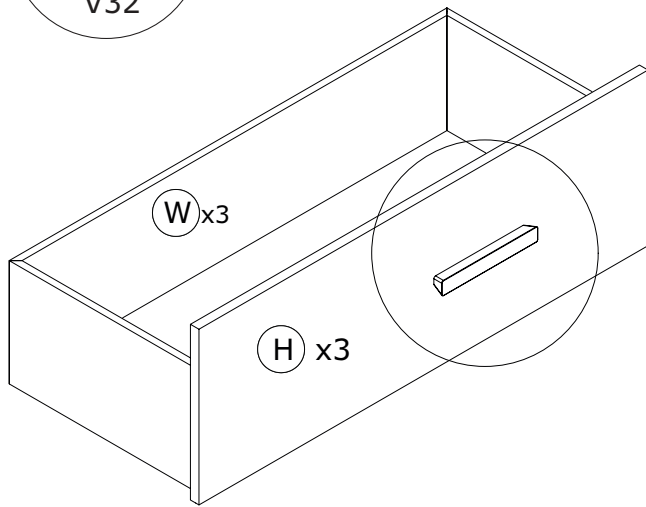
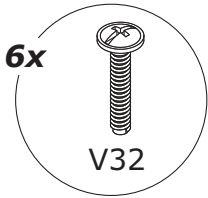
1



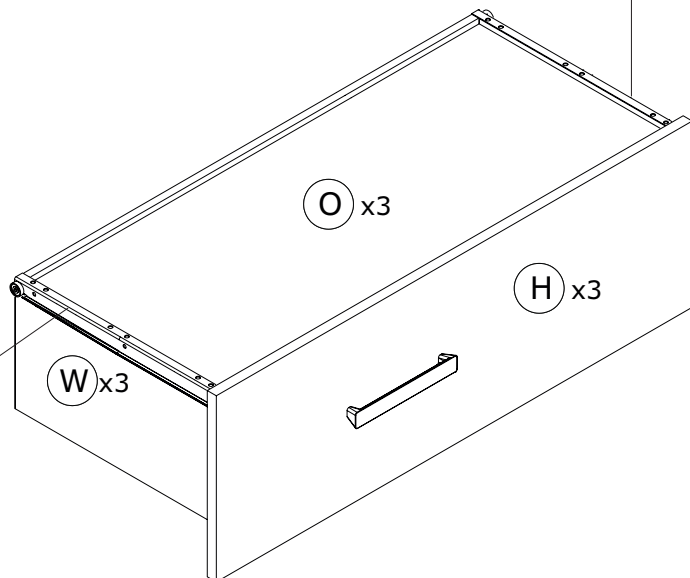
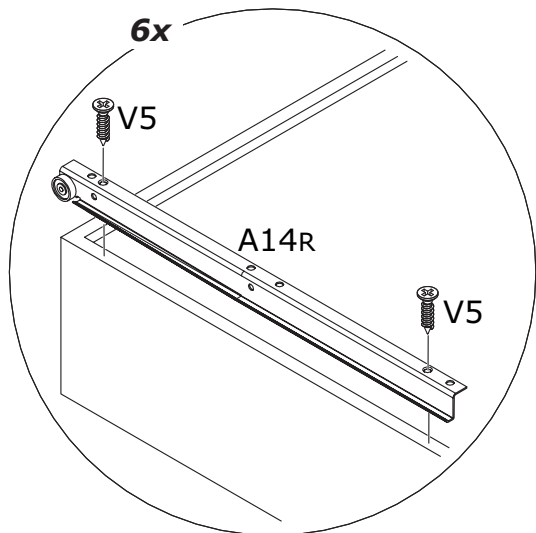
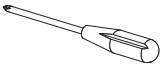
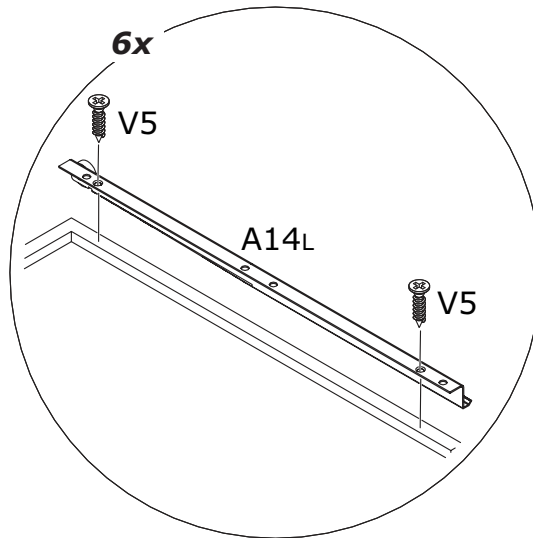
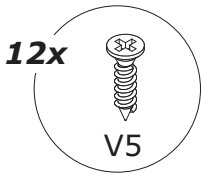
2



3



4



5

9x



H x3

O x3

W x3

V98

W405

V98

W405

V98

6

6x



C

T28

Z

2x

H114

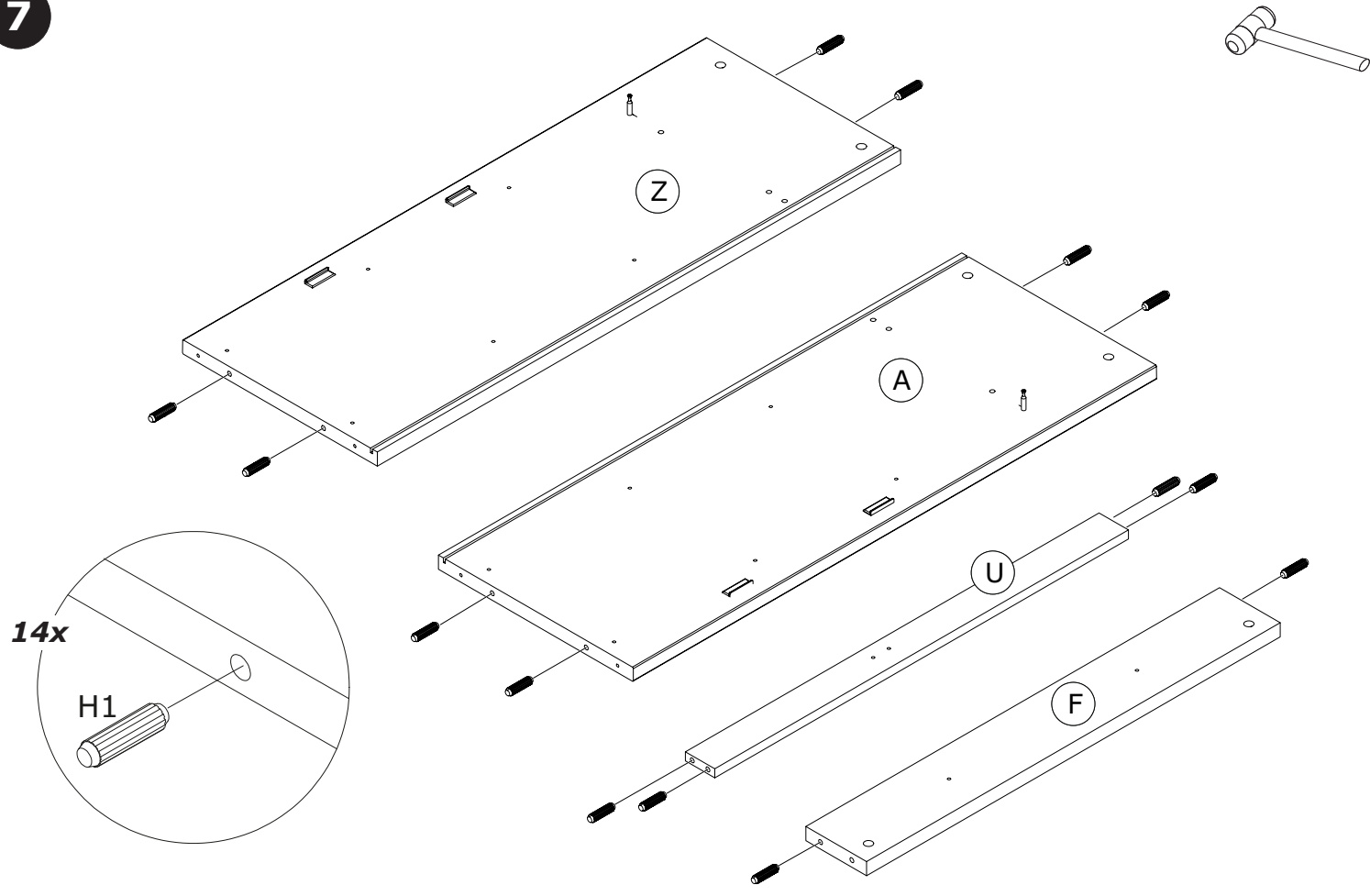
T28

A

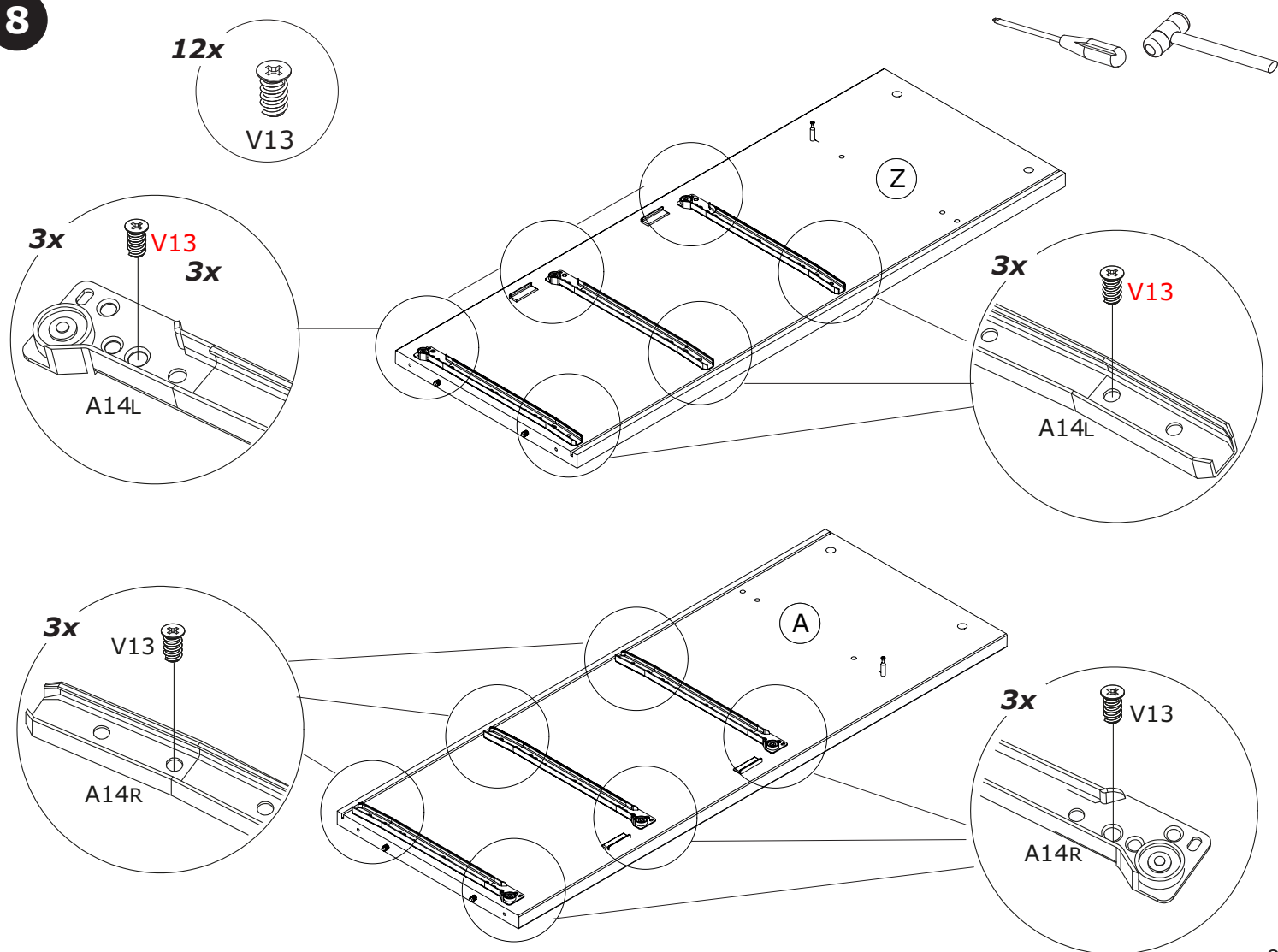
2x

H114

7

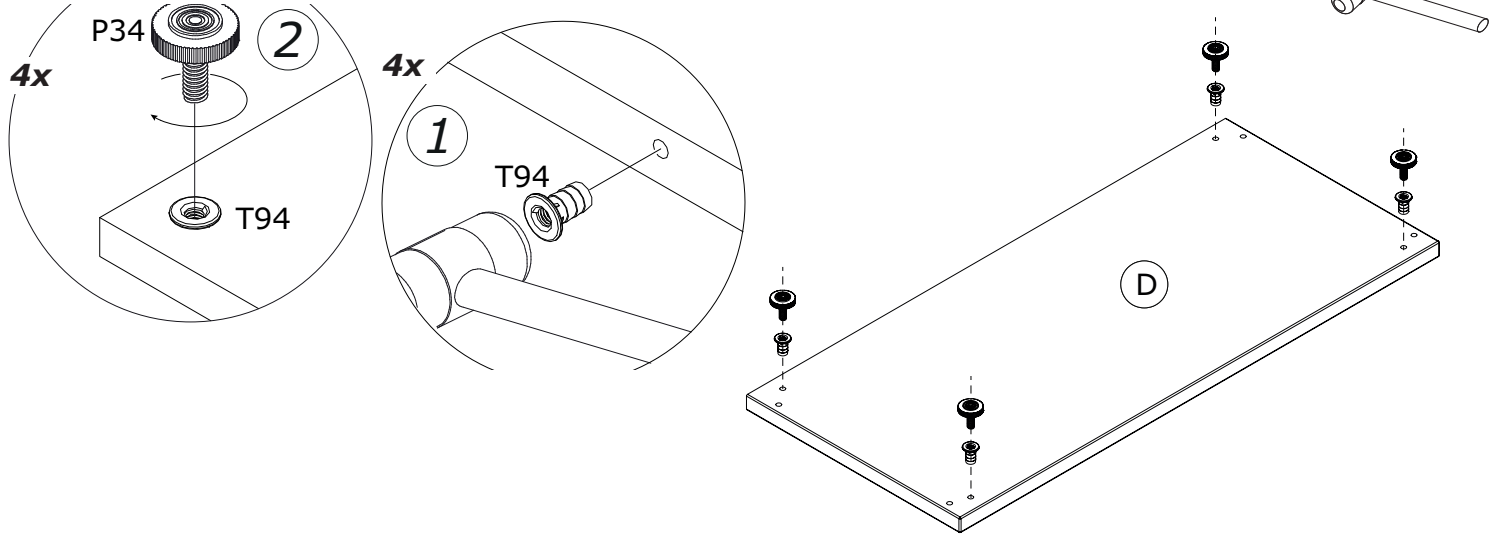


8

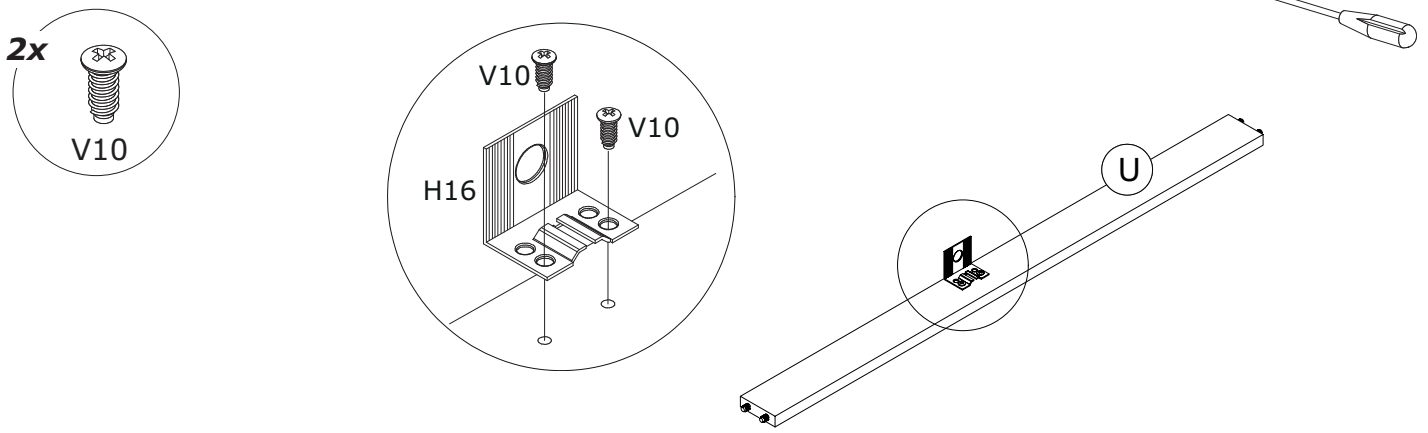




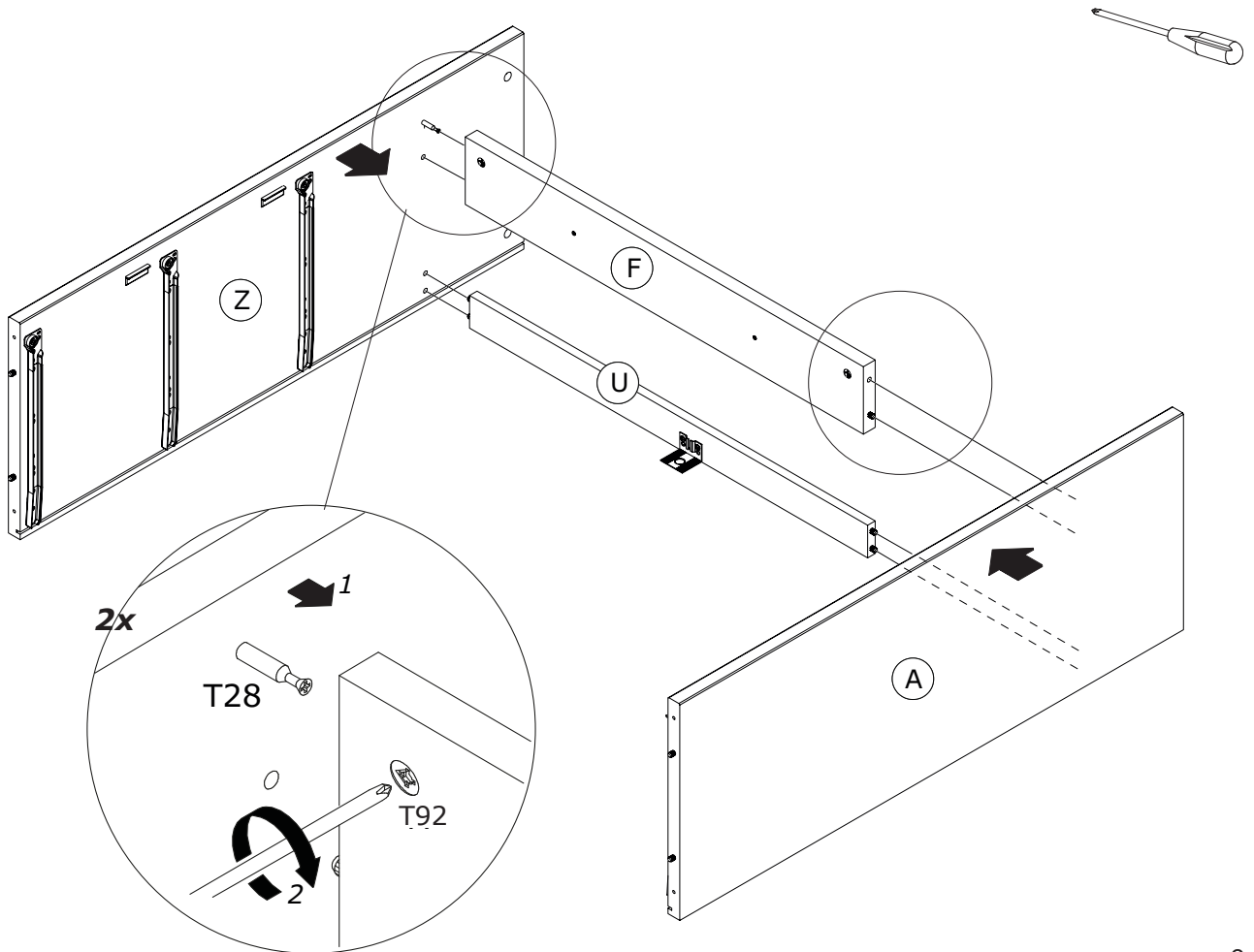
9



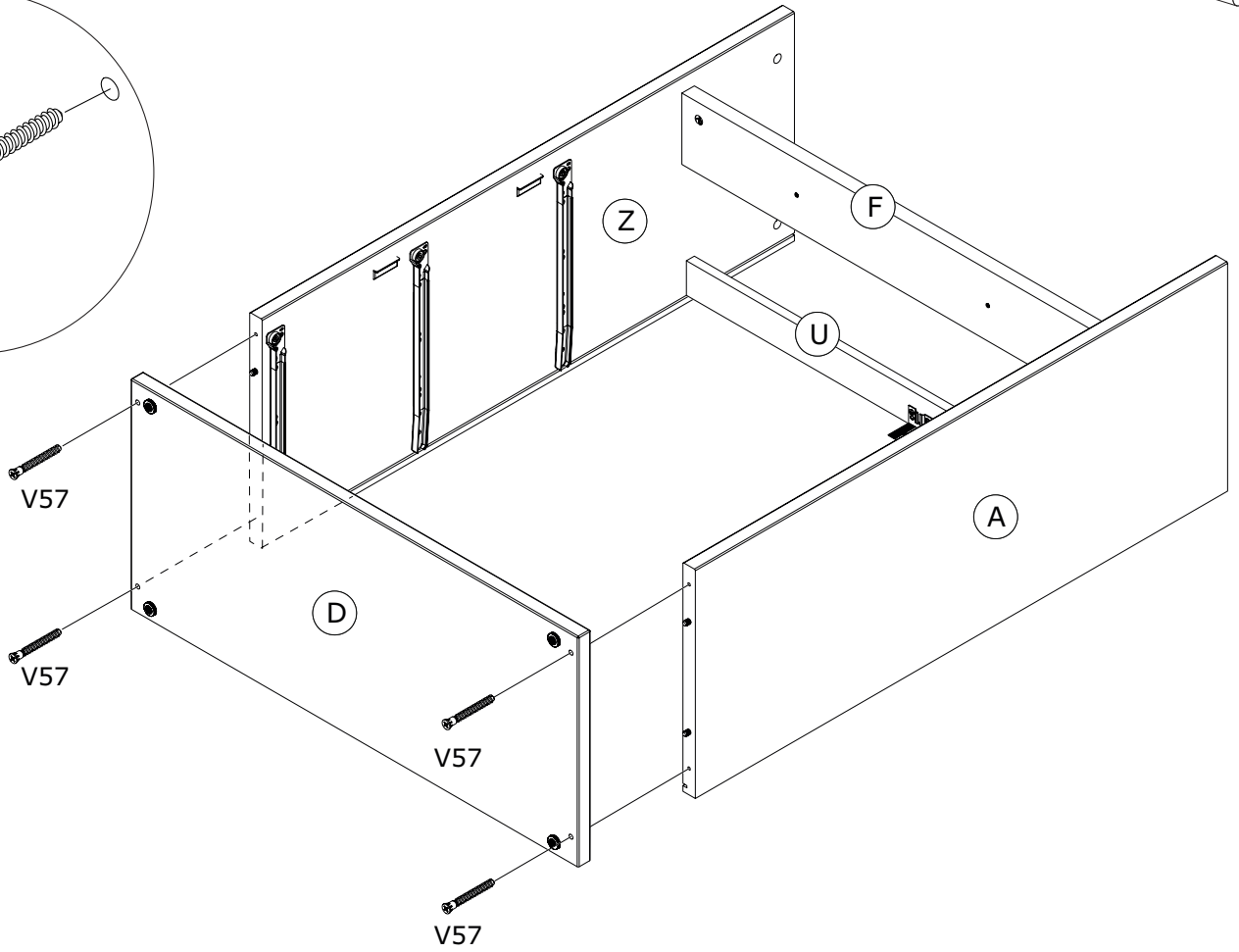
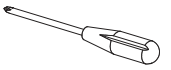
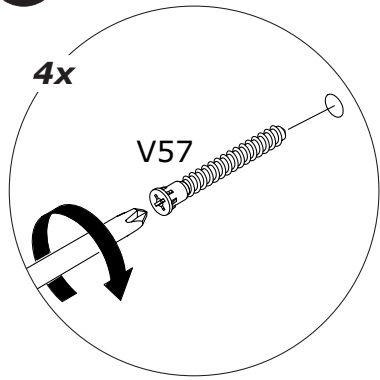
10



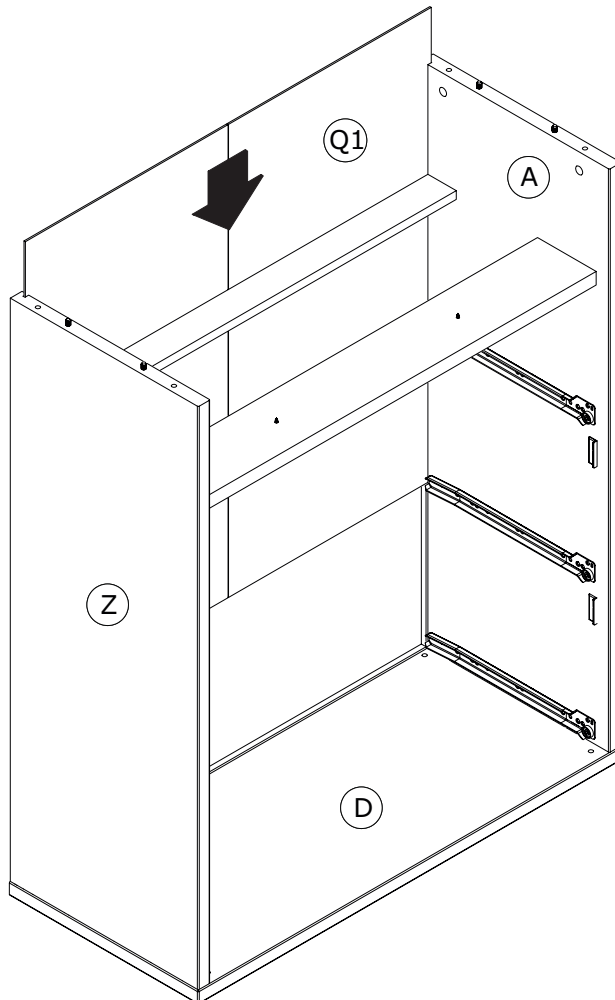
11



12



13



14

6x



V5

3x

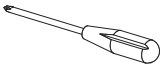
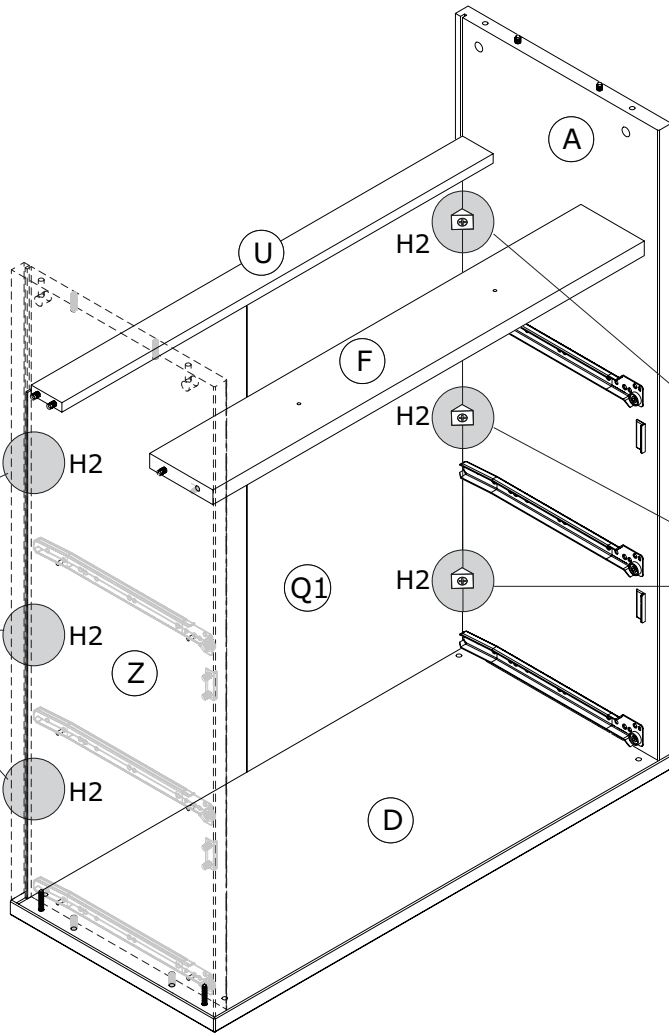
H2

V5

3x

H2

V5



15

2x



H2

2x



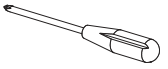
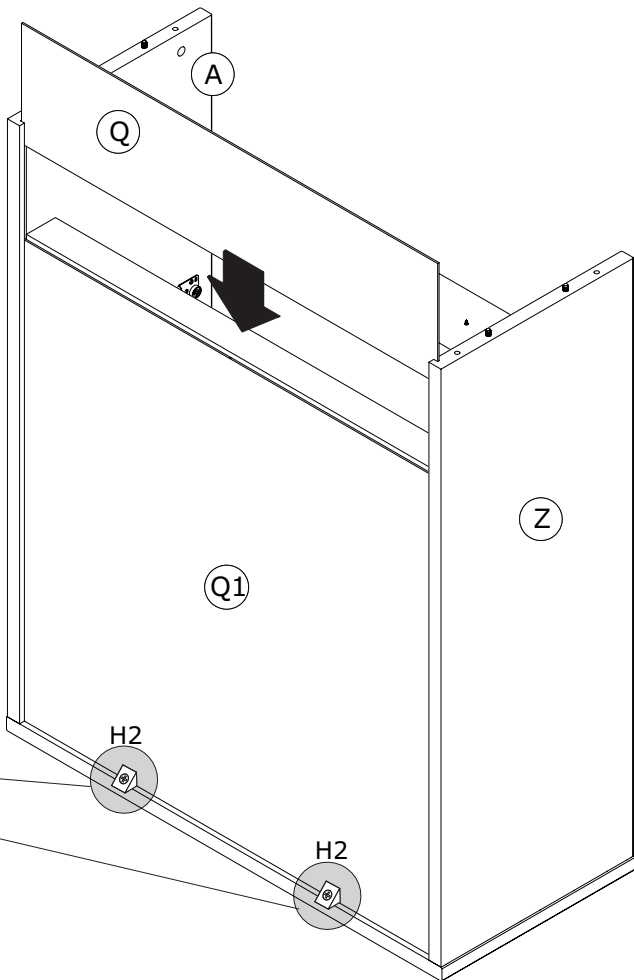
V5

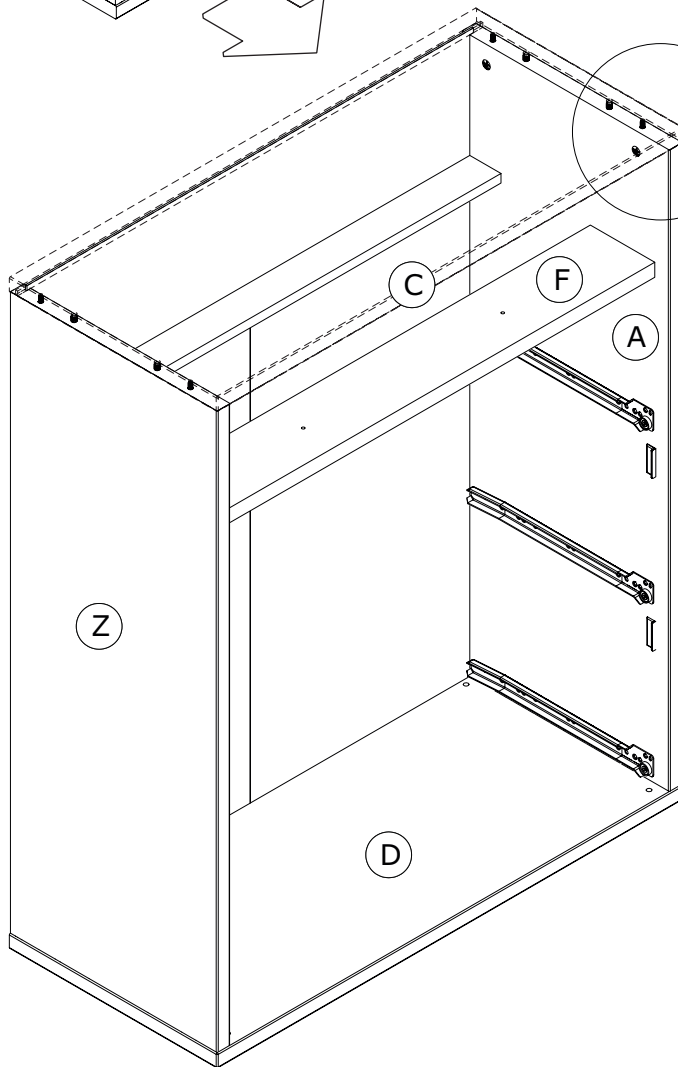
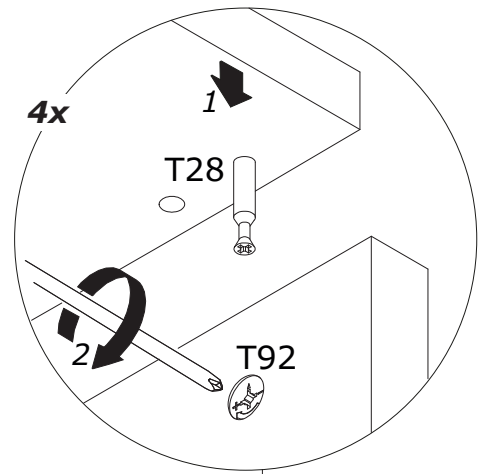
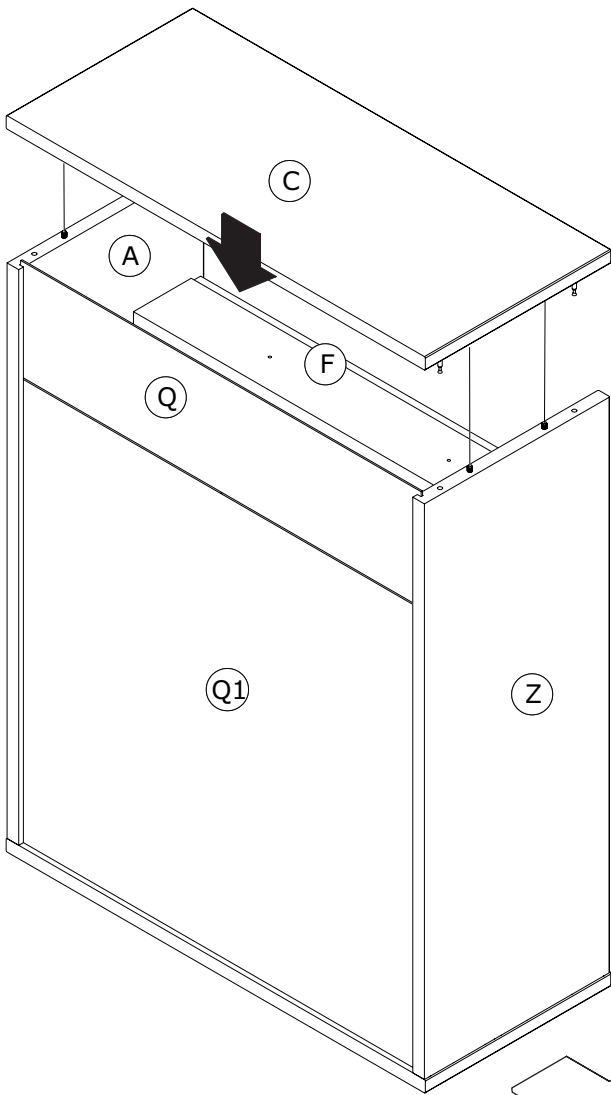
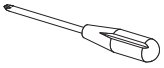
2x



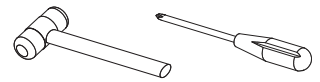
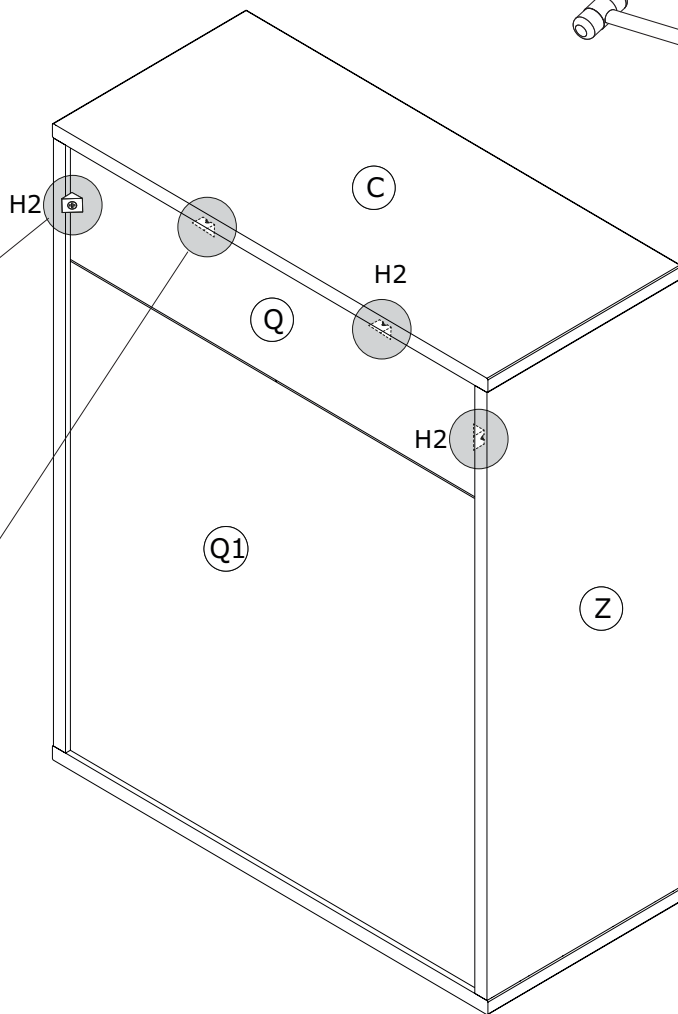
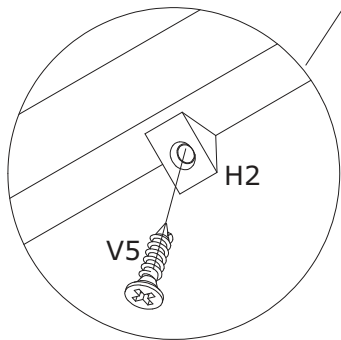
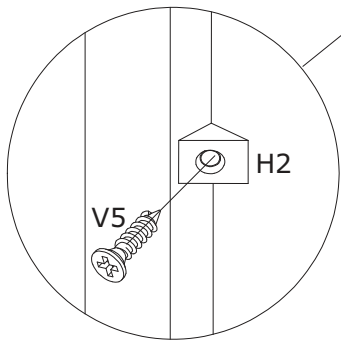
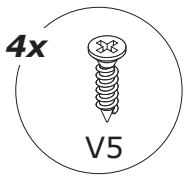
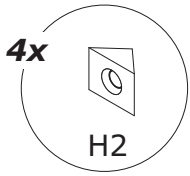
V5

H2

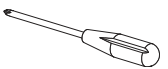
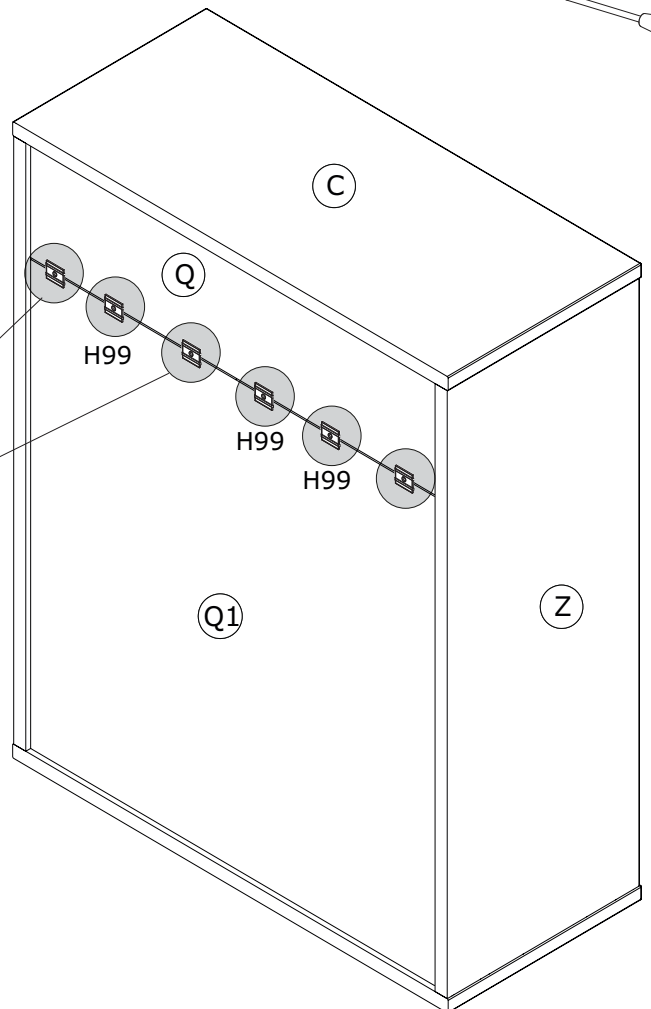
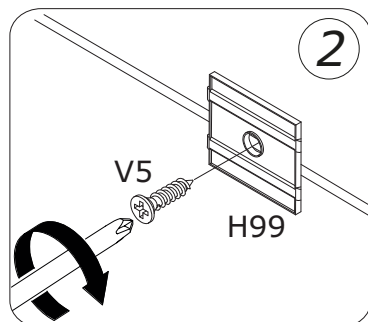
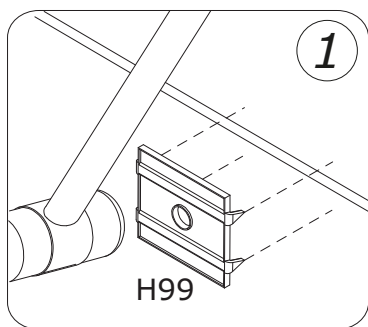
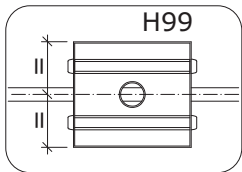
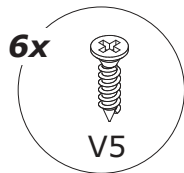


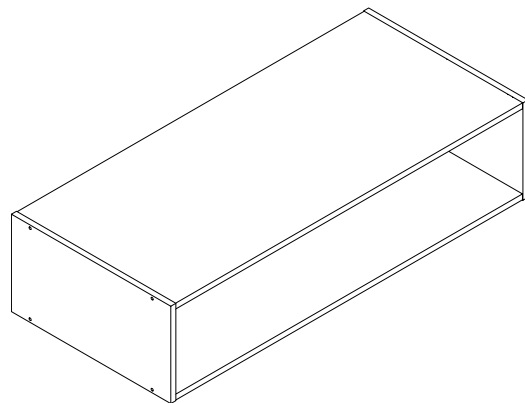
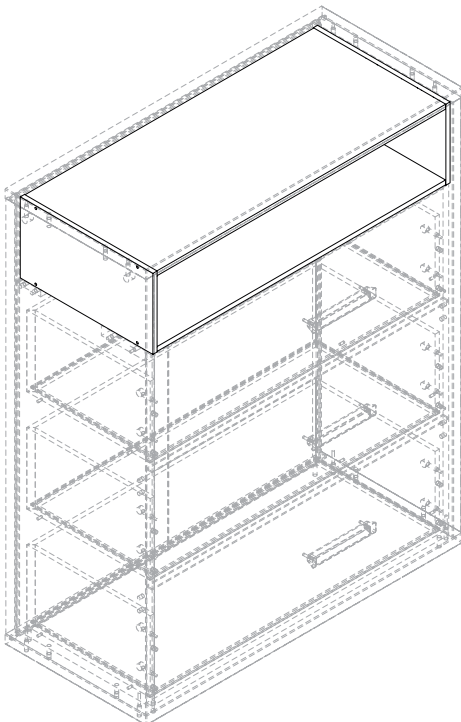
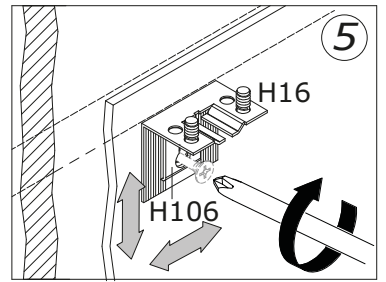
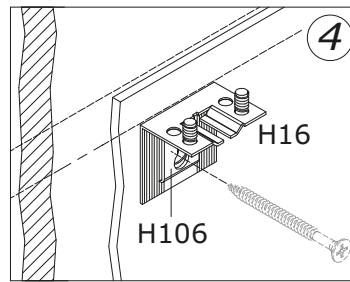
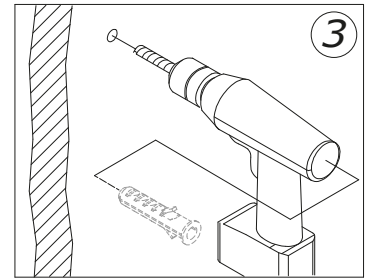
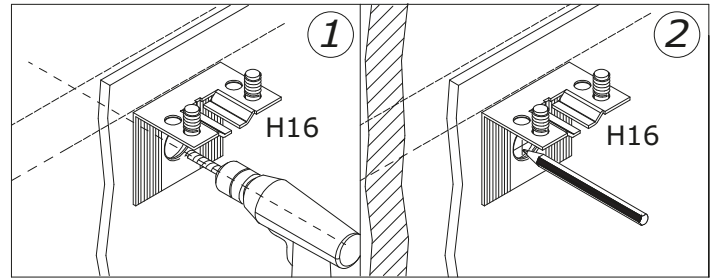
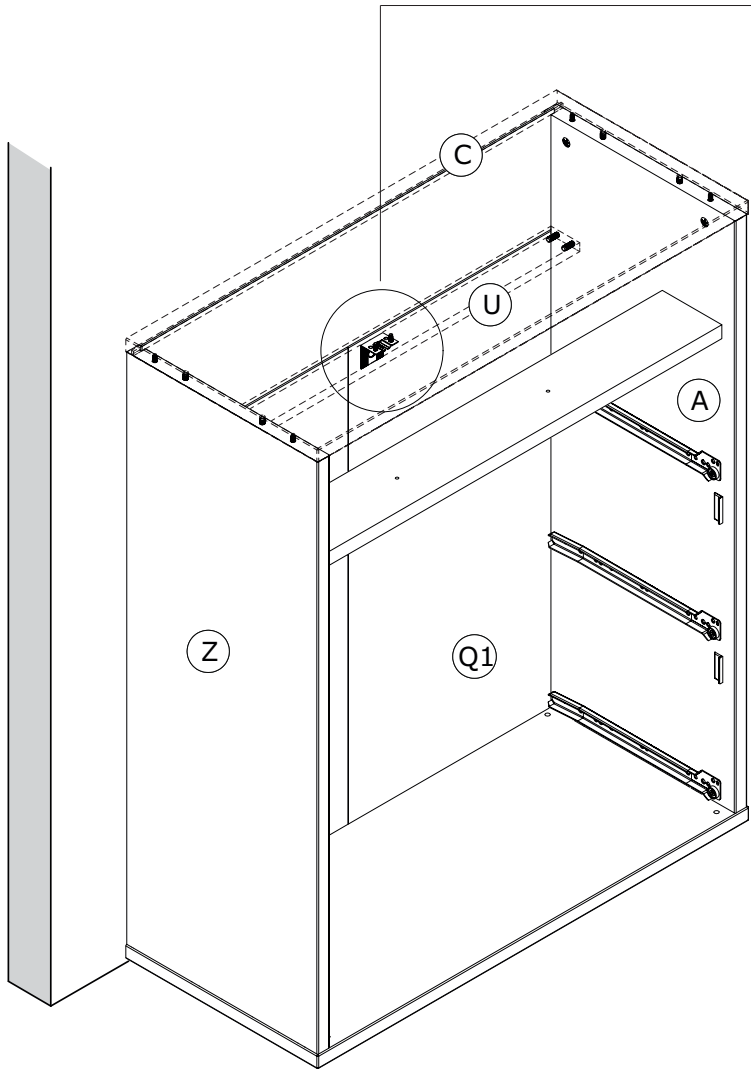
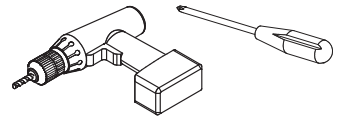


17

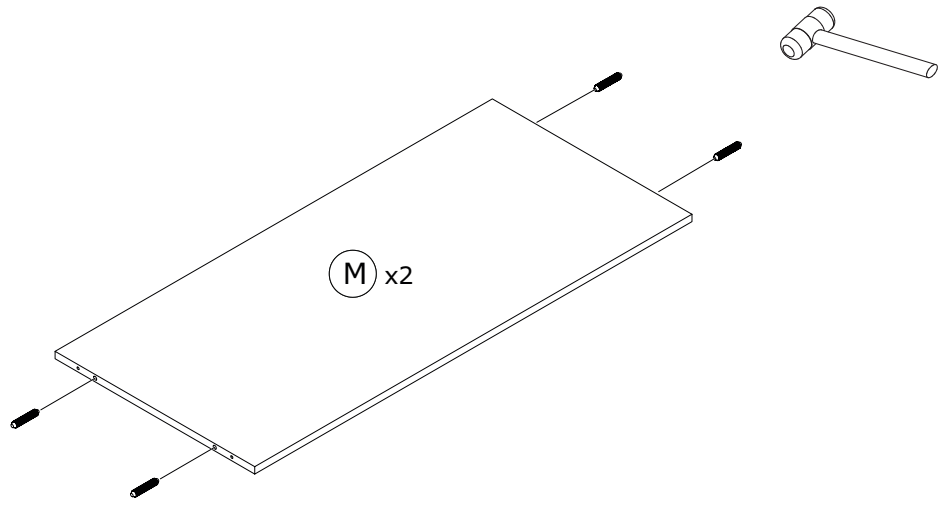
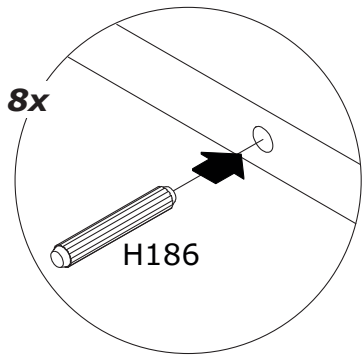


18

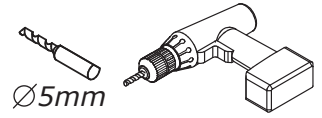
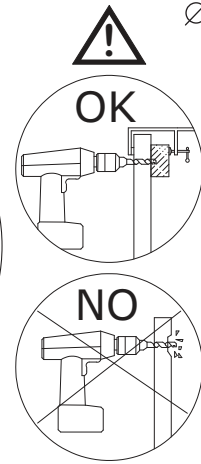
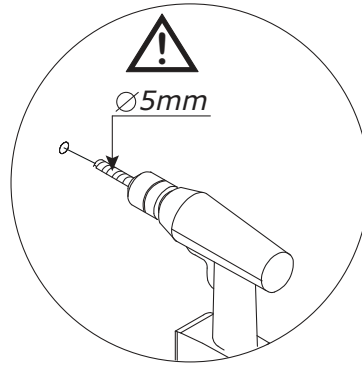
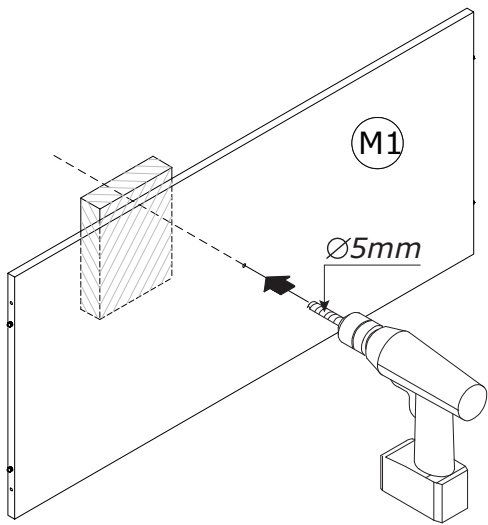




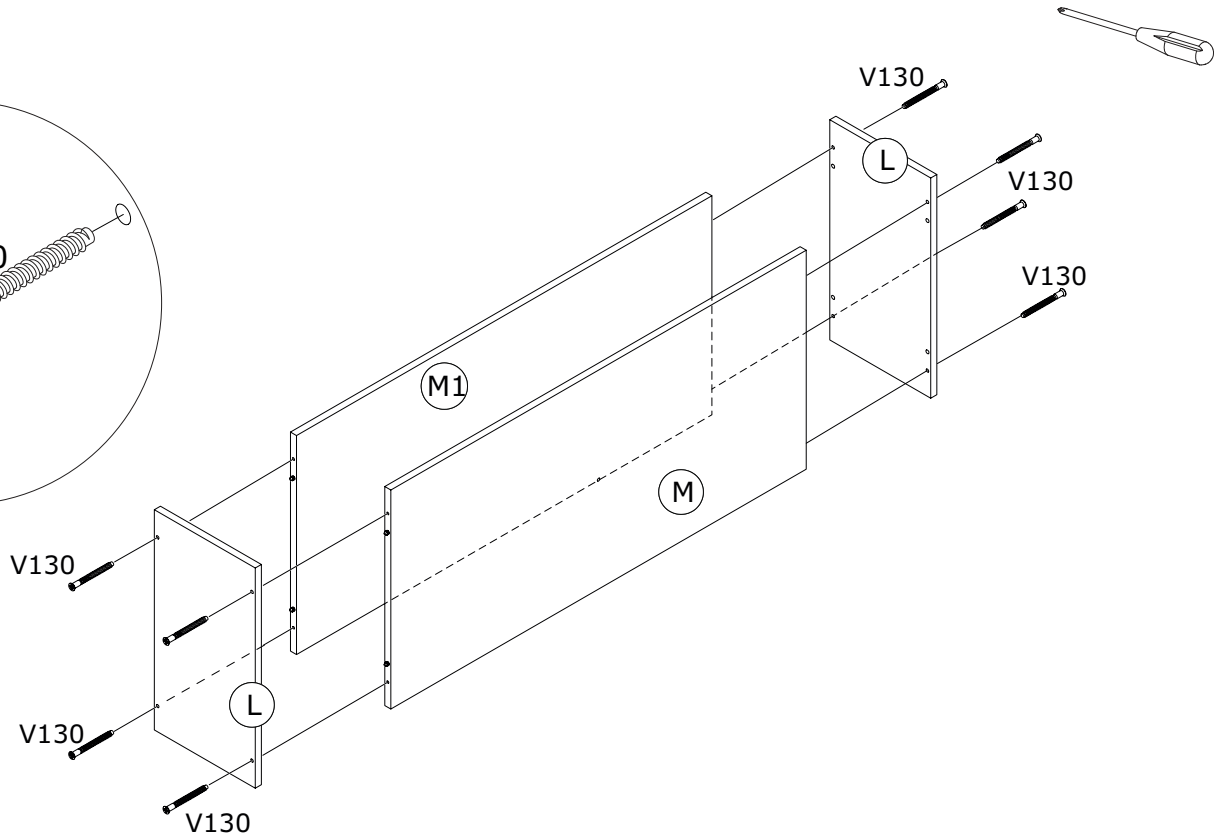
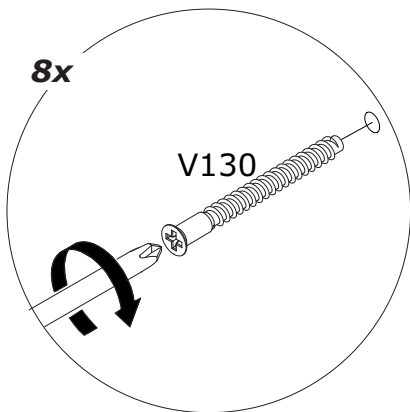
20



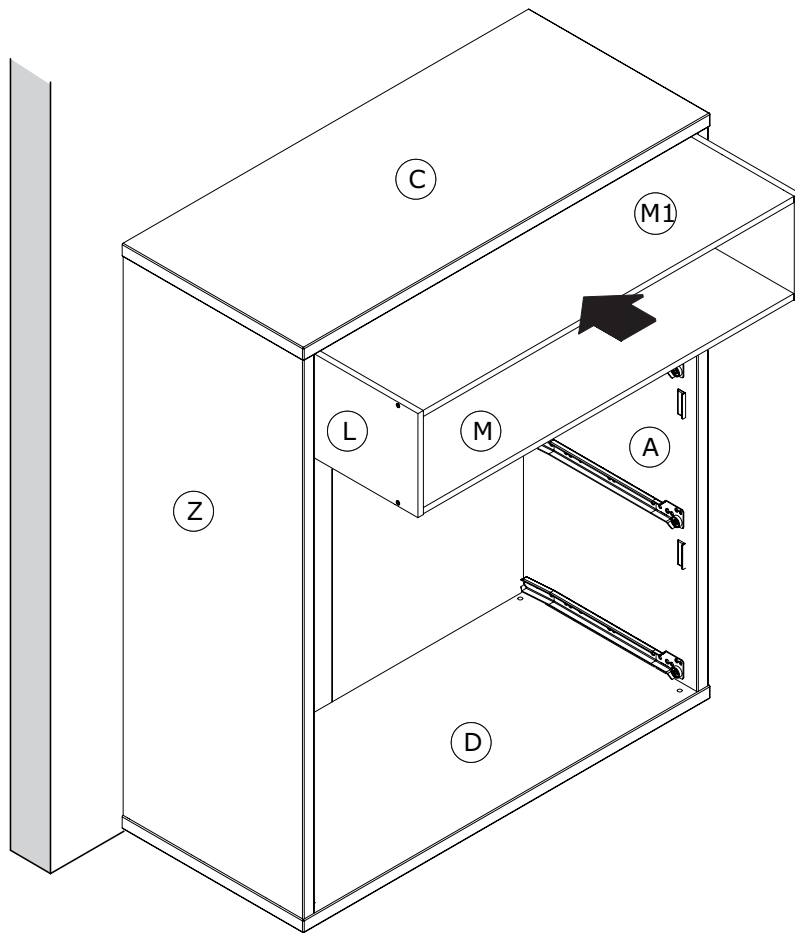
21



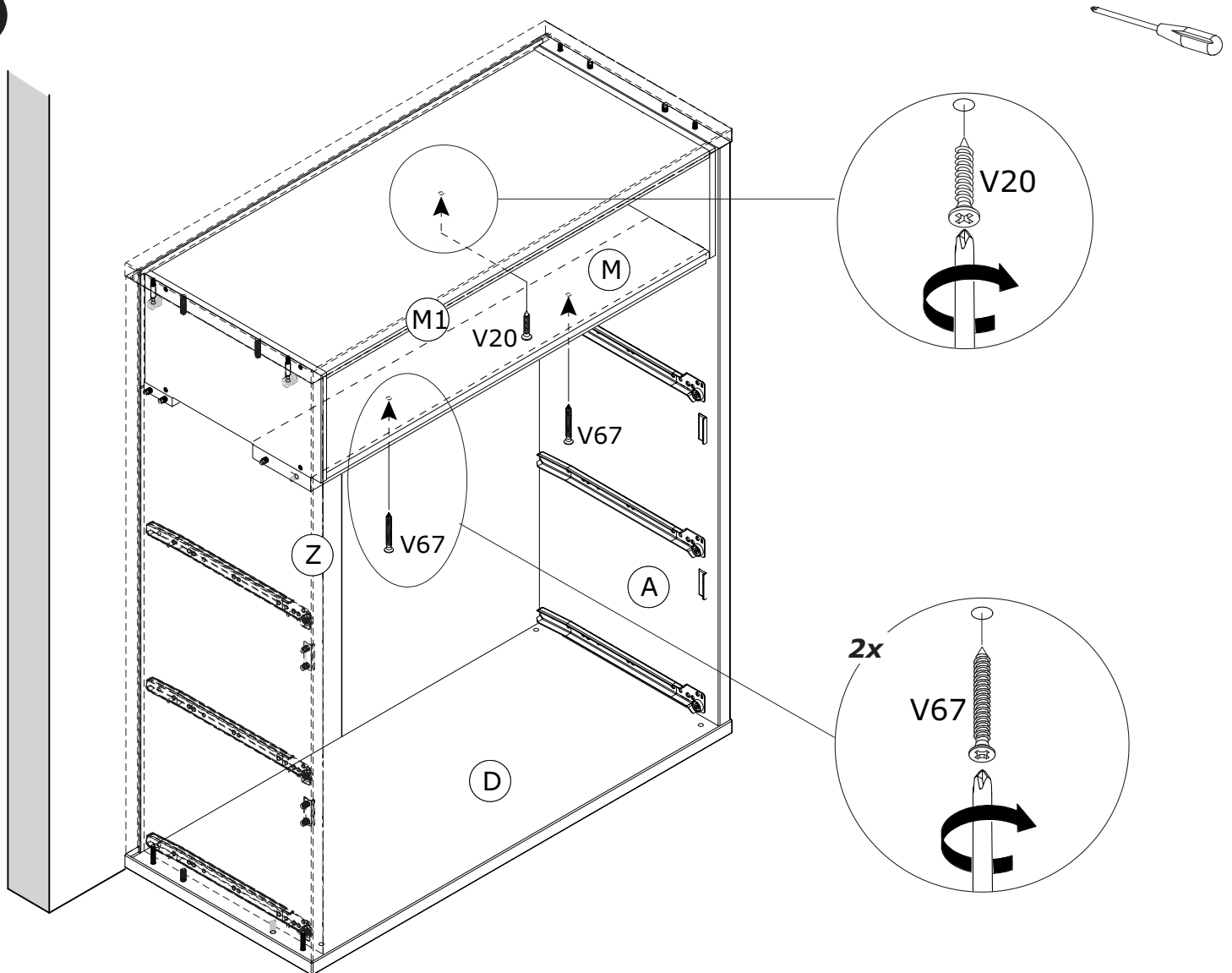
22



23

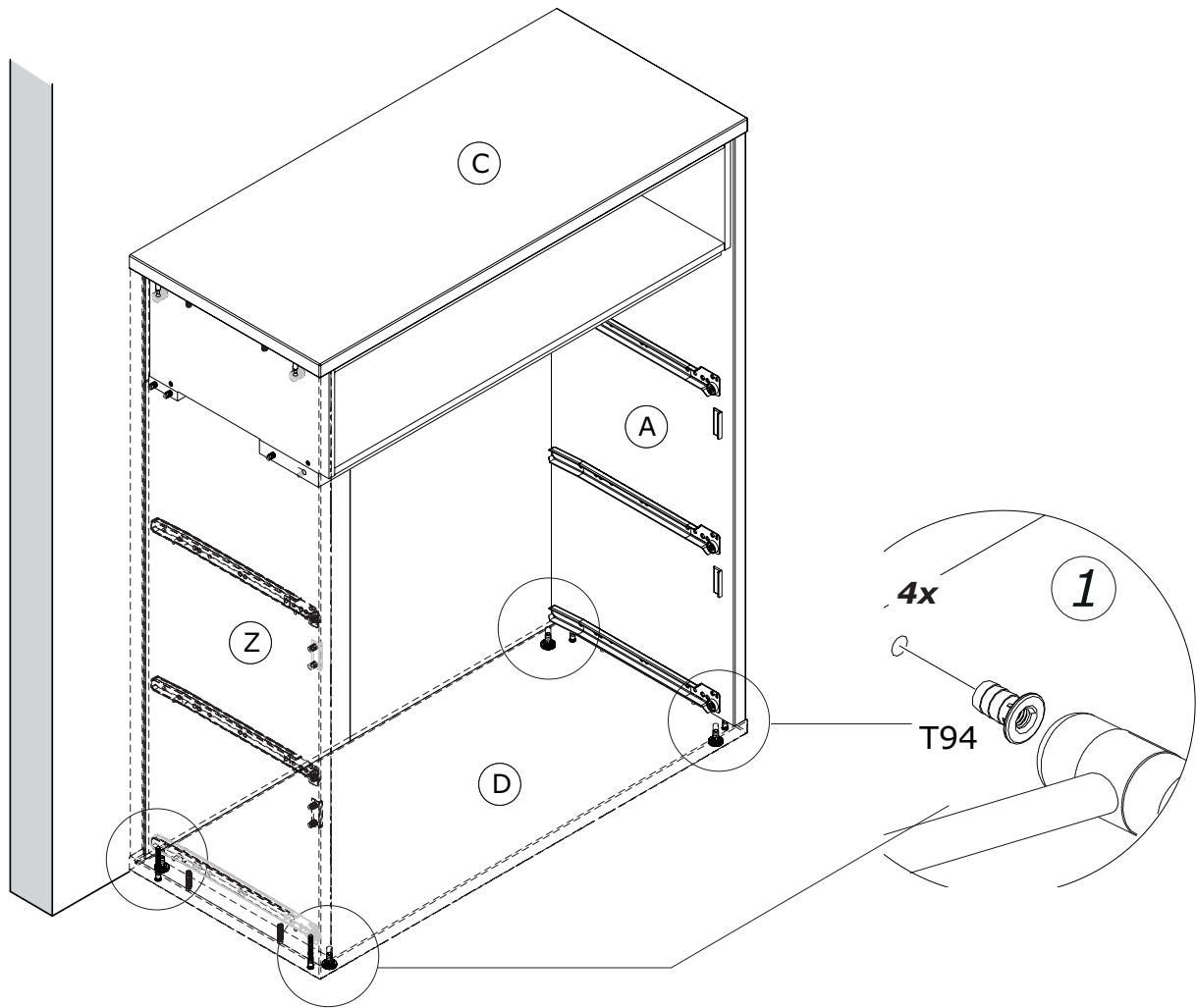


24





25



26

