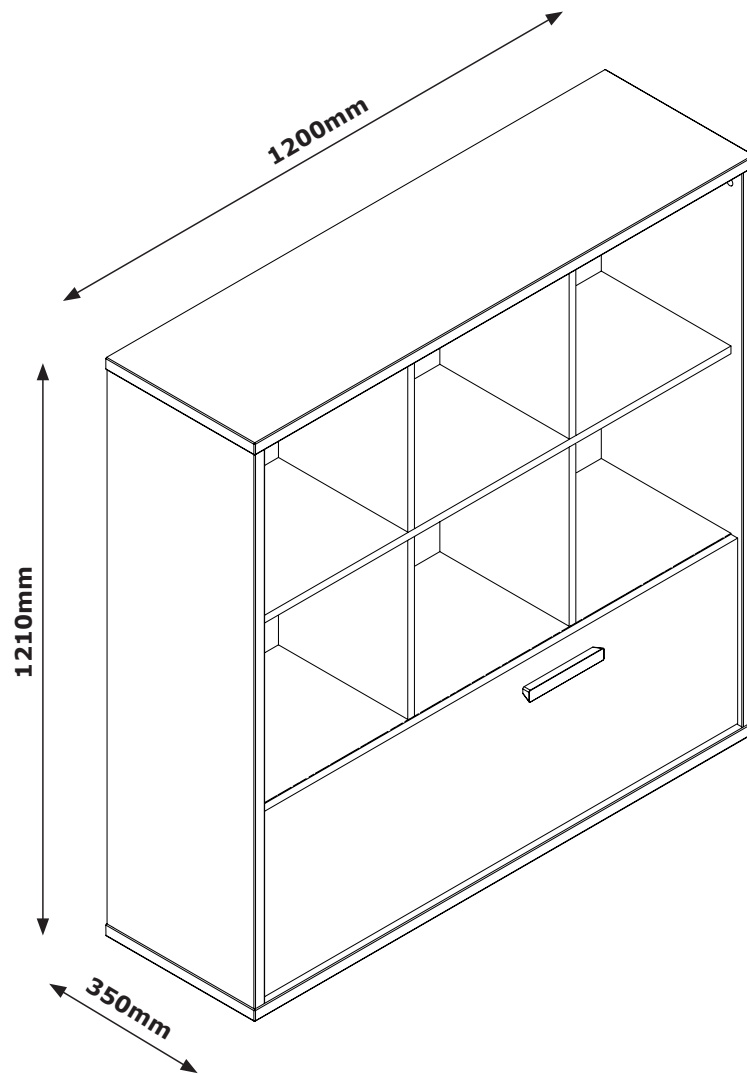
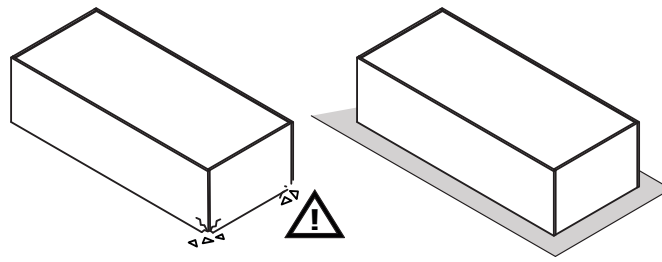
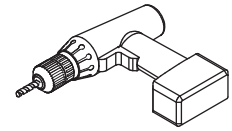
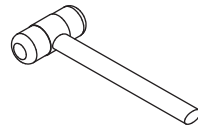
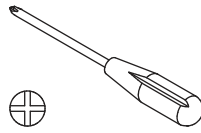
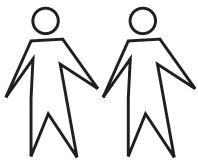
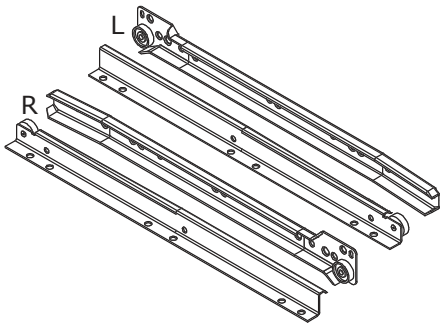


LB2652K56104

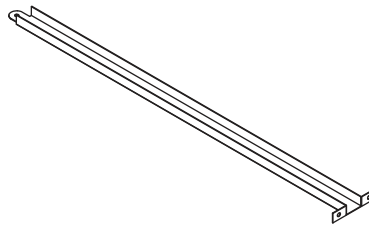




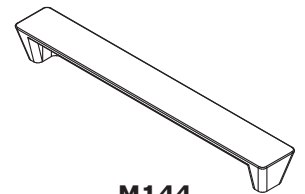
BU3617



A11
x2

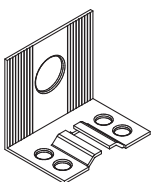


W404
x2



M144
x1

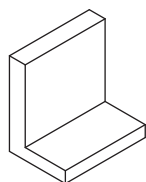
CF0163



H16
x1

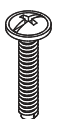


H106
x1



G29
x1

BU3605



V32
x2



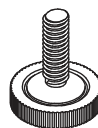
V5
x28



H14
x1



V142
x8



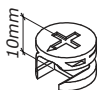
P34
x6



T94
x6



T28
x34



T98
x8



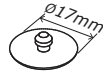
H113
x4



T7
x18



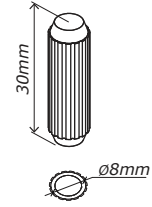
V10
x2



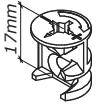
G67
x16



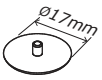
V98
x6



H1
x28



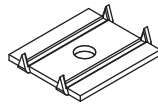
T92
x8



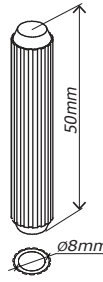
G128
x8



H2
x16



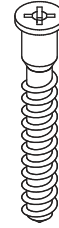
H99
x4



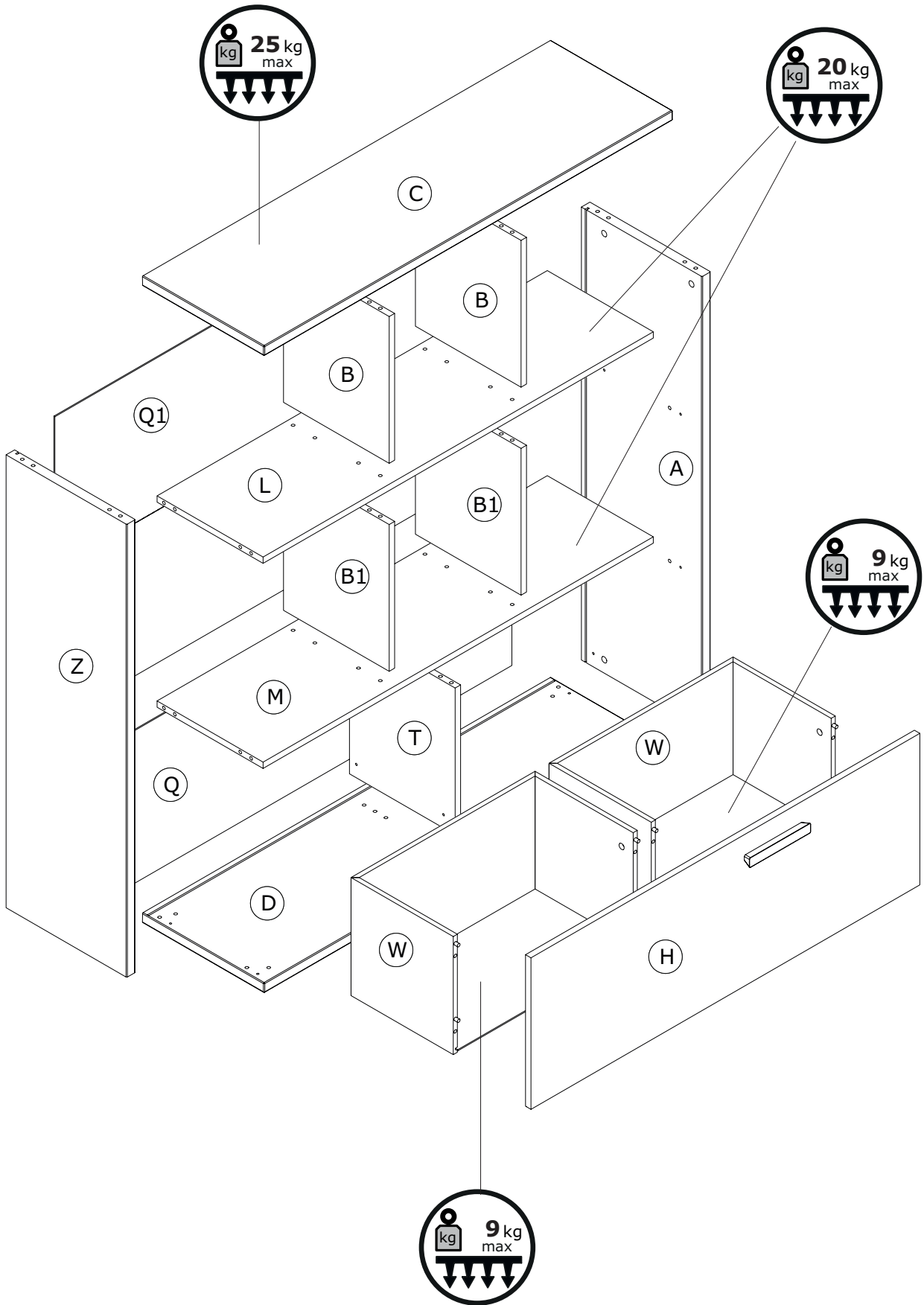
H32
x4

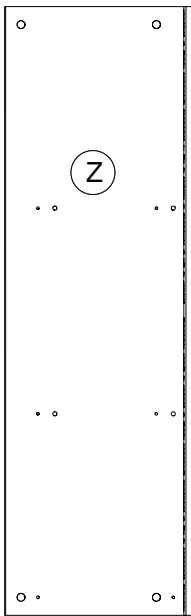


V57
x2



V45
x8

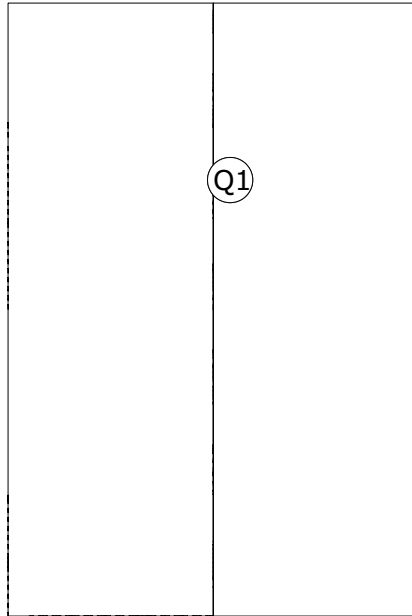




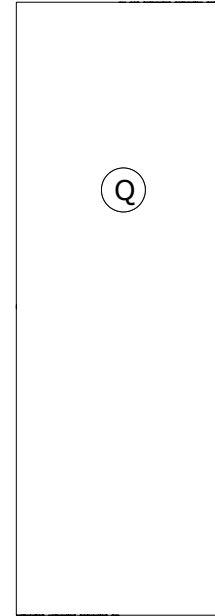
FI7814
1151x354x25mm



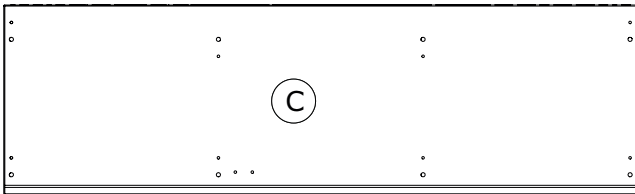
FI7813
1151x354x25mm



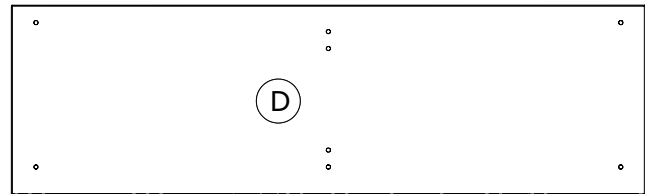
SH2974
1159x776x3mm



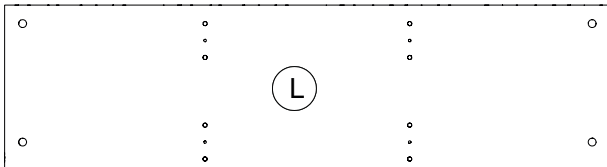
SH2975
1159x388x3mm



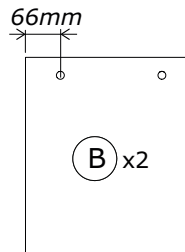
CA3210
1199x357x25mm



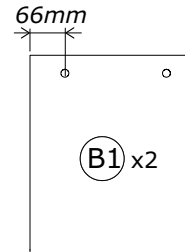
BA1952
1199x357x25mm



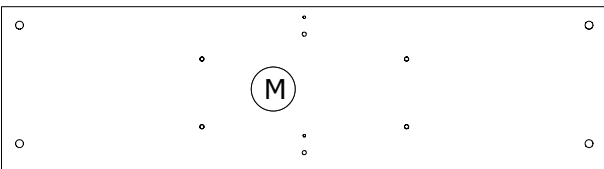
PI6712
1145x311x16mm



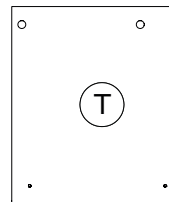
TR1954
373x310x16mm



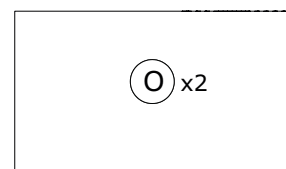
TR1954
373x310x16mm



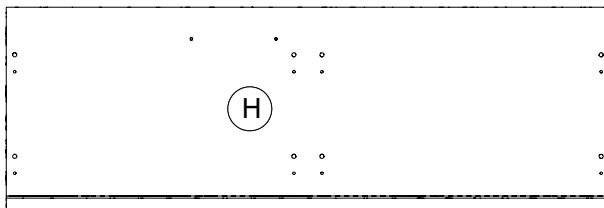
PI6713
1145x311x16mm



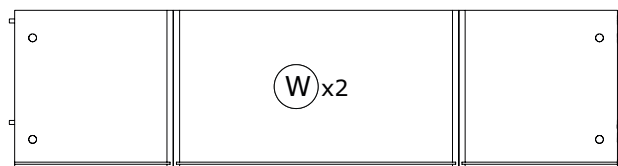
TR1955
373x310x16mm



SH2976
572x301x3mm

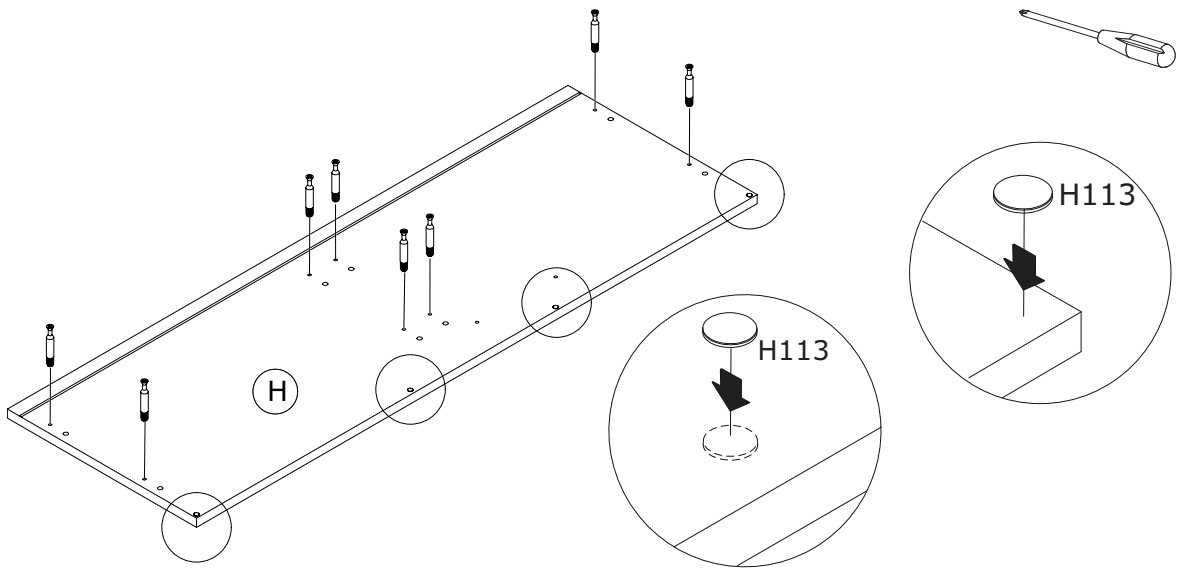
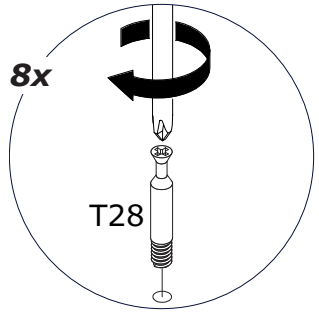


CS2792
1141x385x16mm

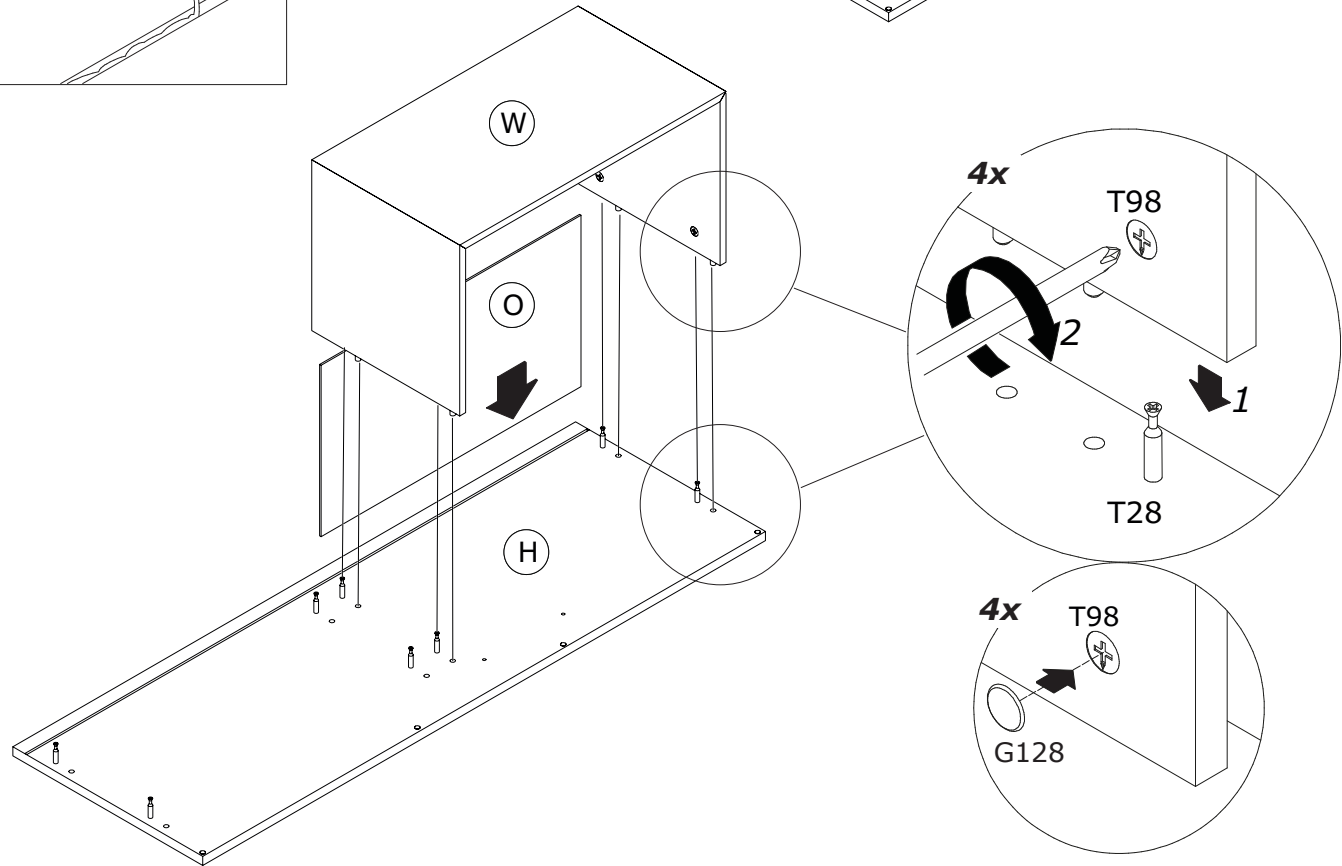
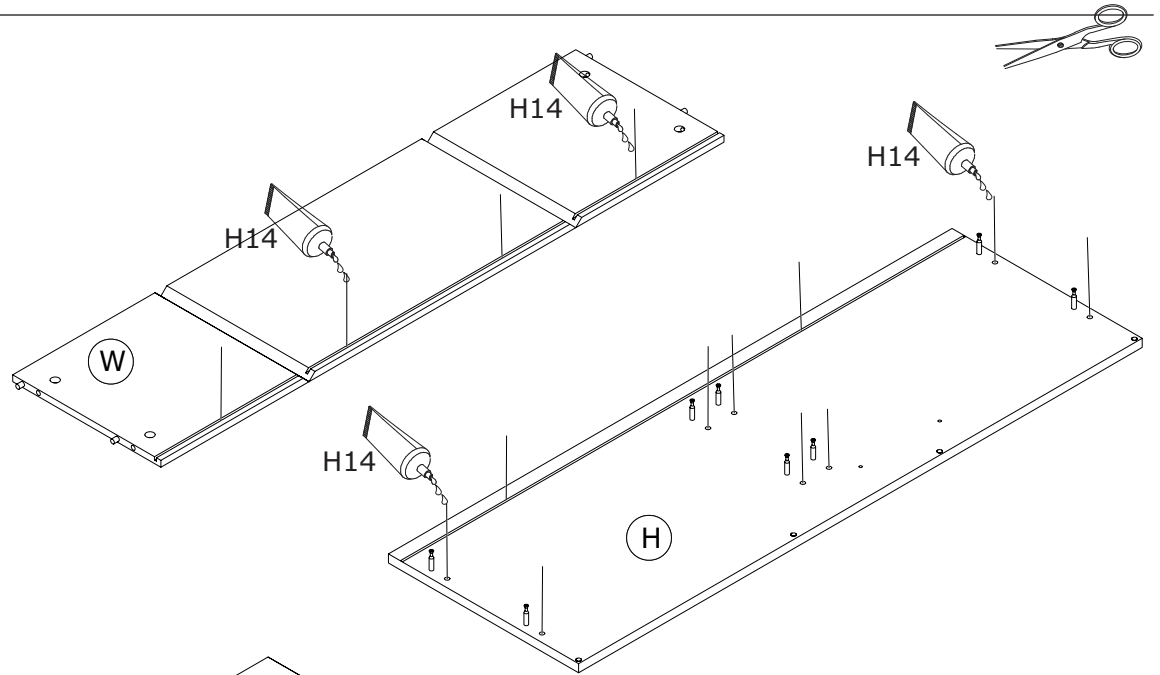
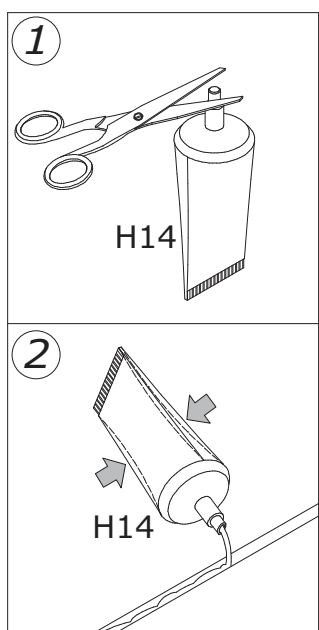


OF0406
300x540x300mm H.300mm

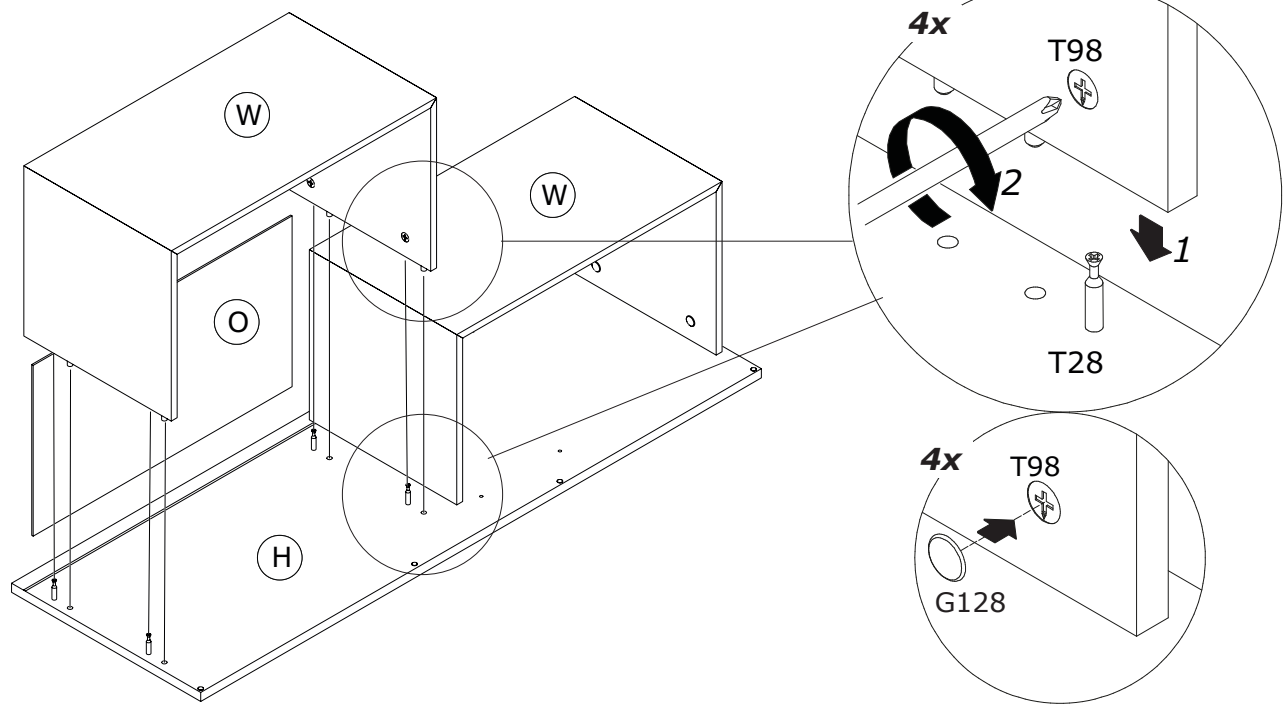
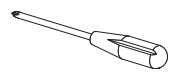
1



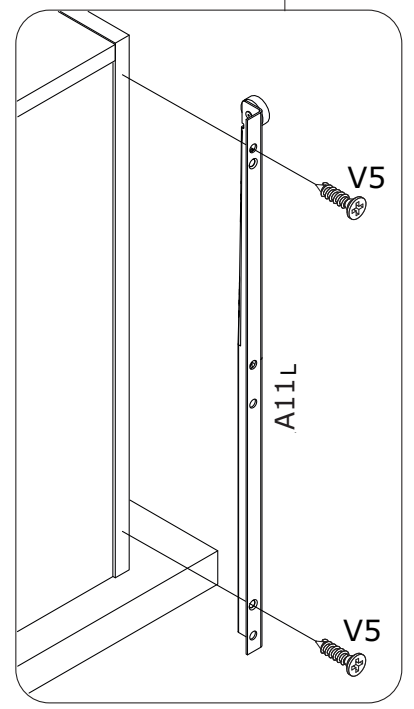
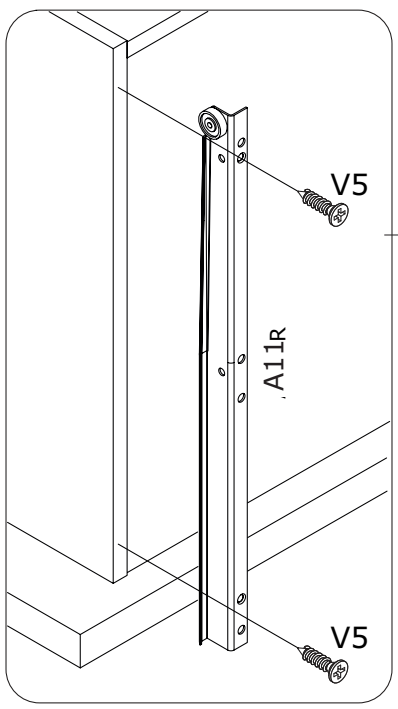
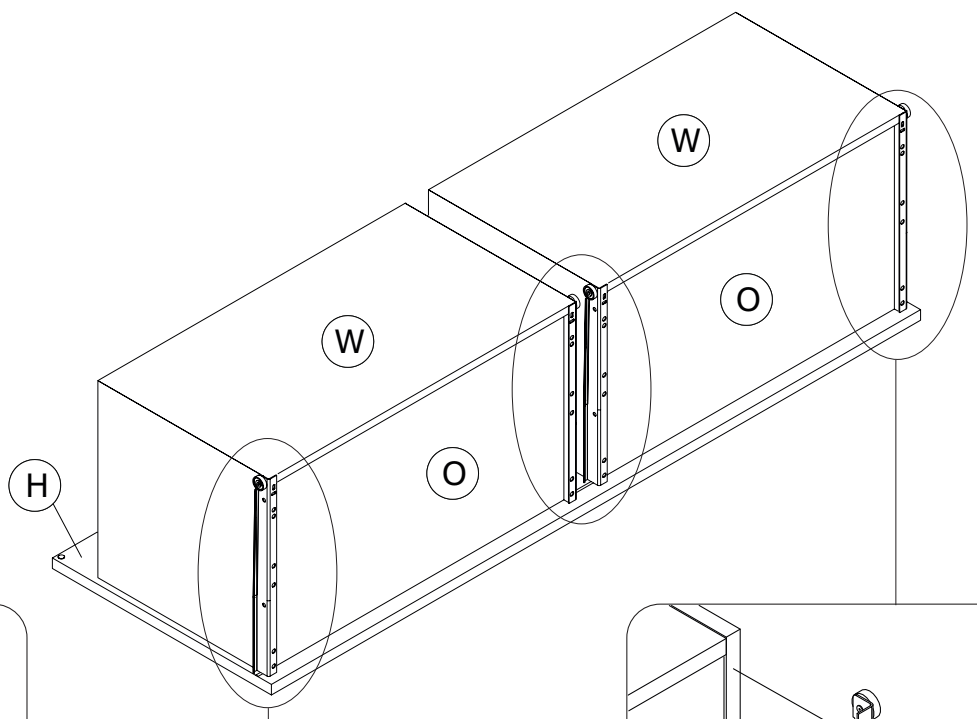
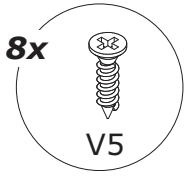
2



3

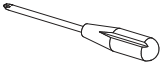


4

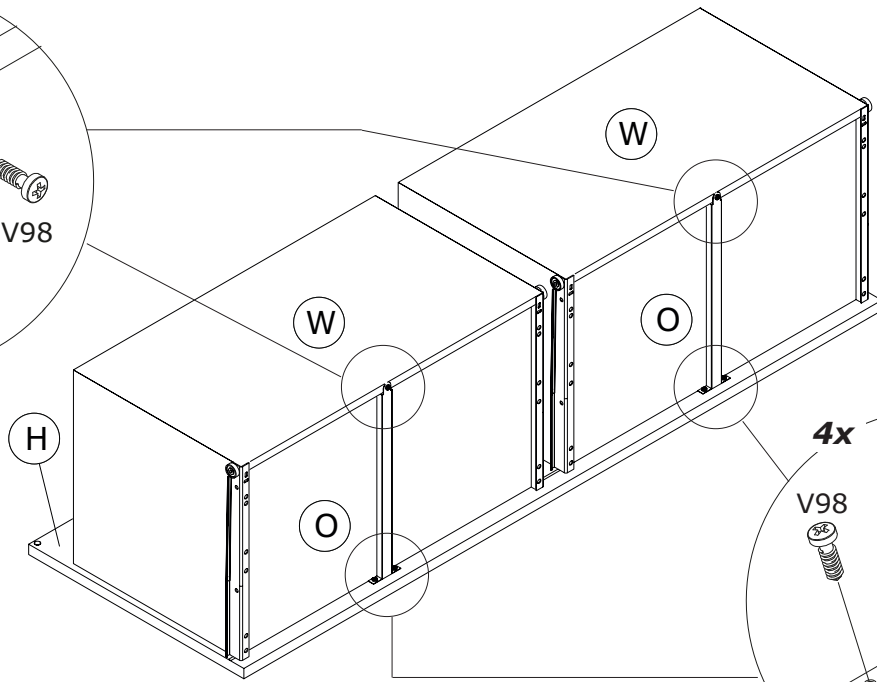
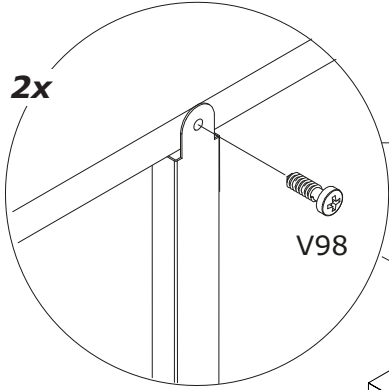


5

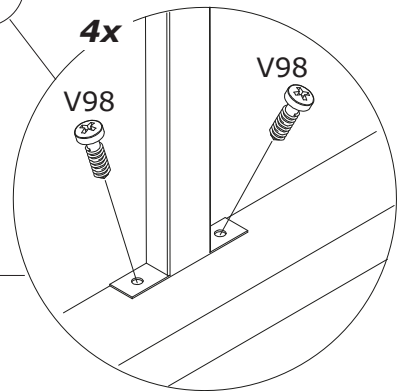
6x



2x

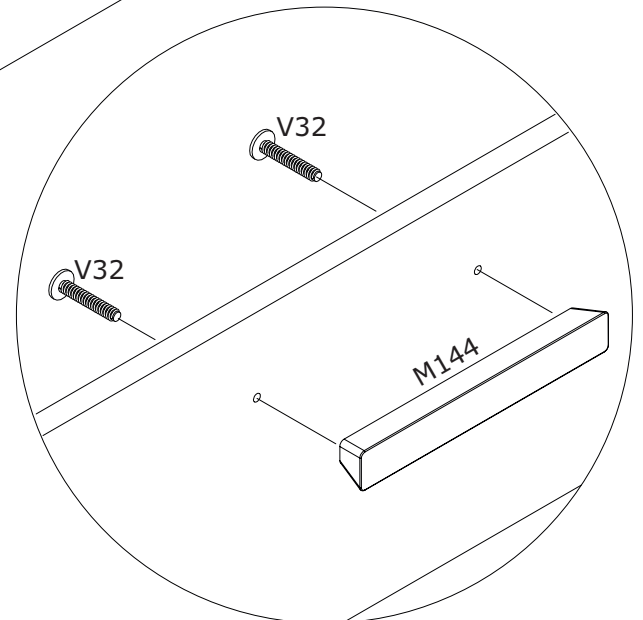
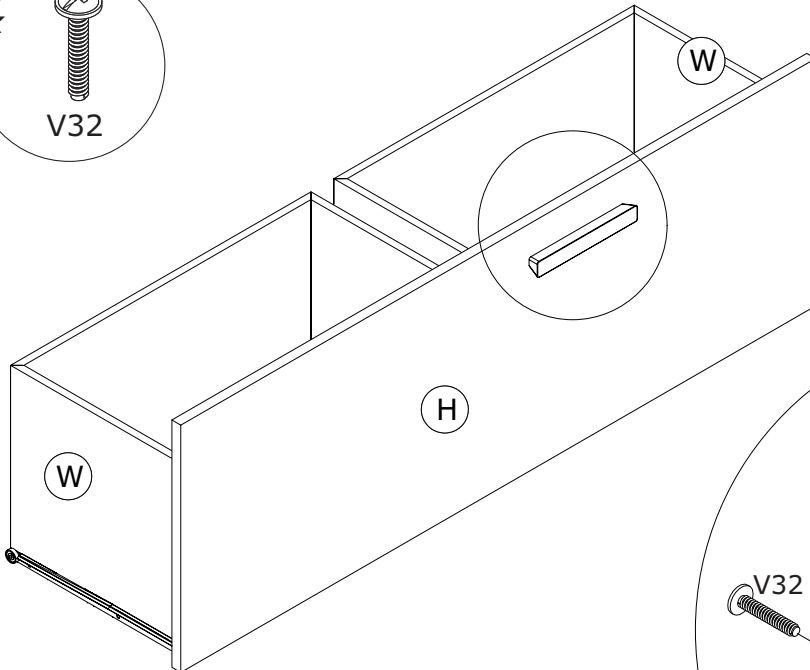
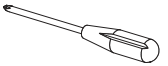
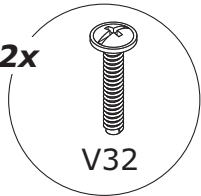


4x

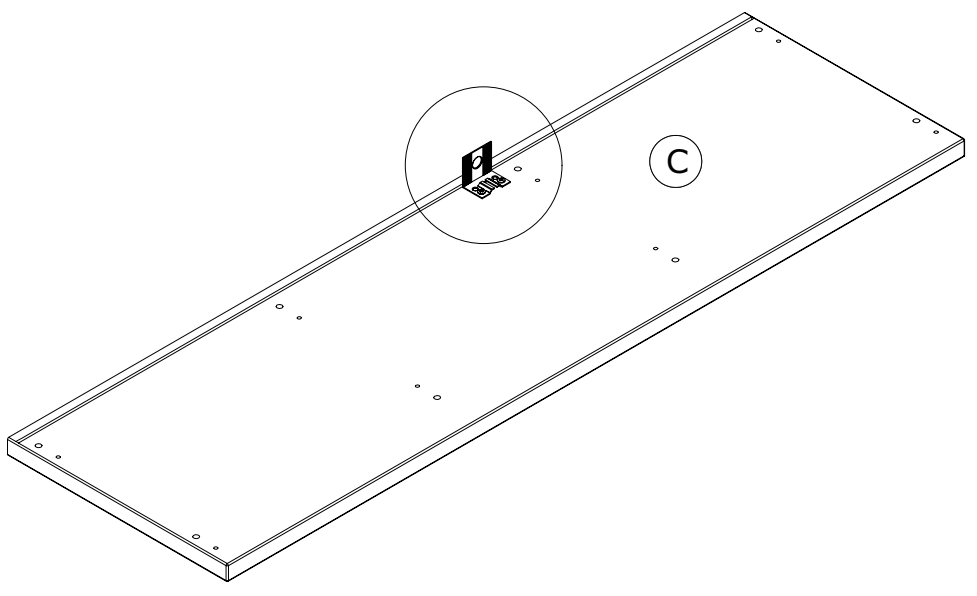
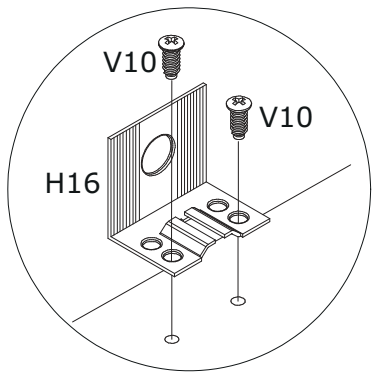
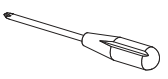


6

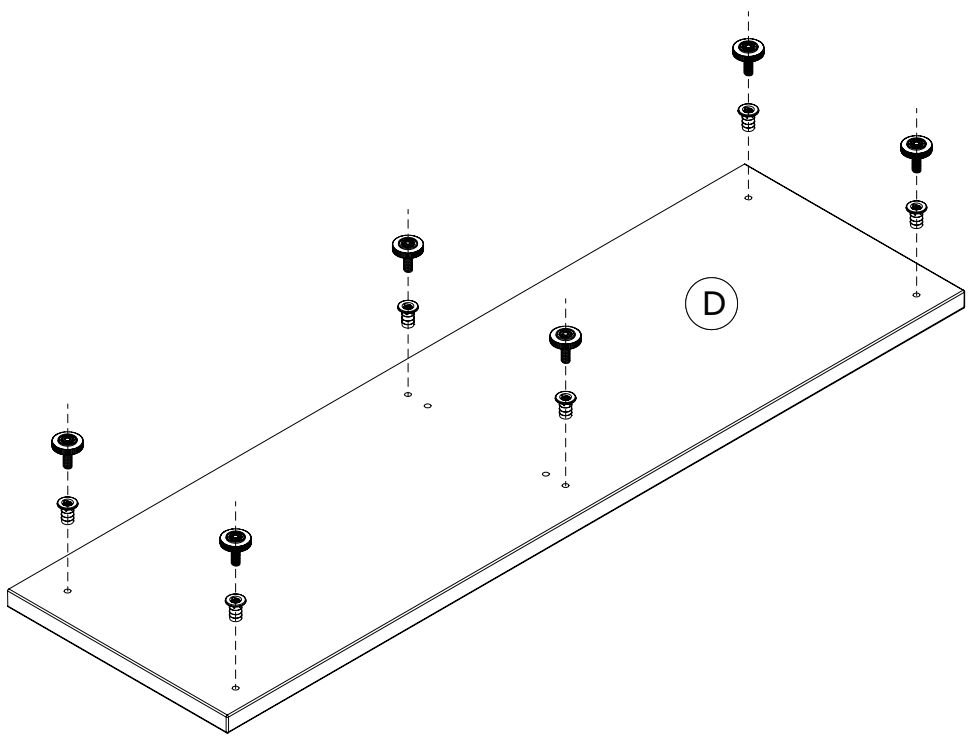
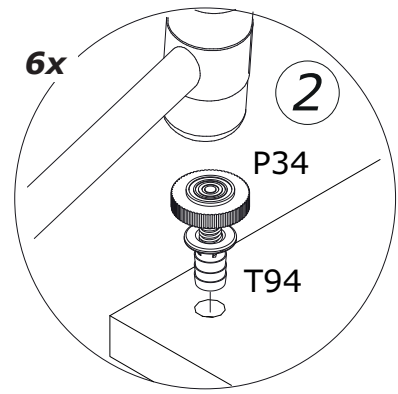
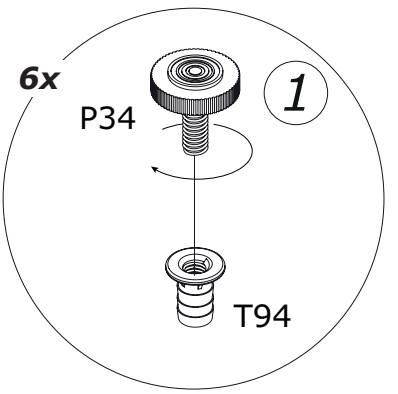
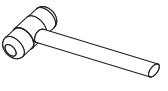
2x

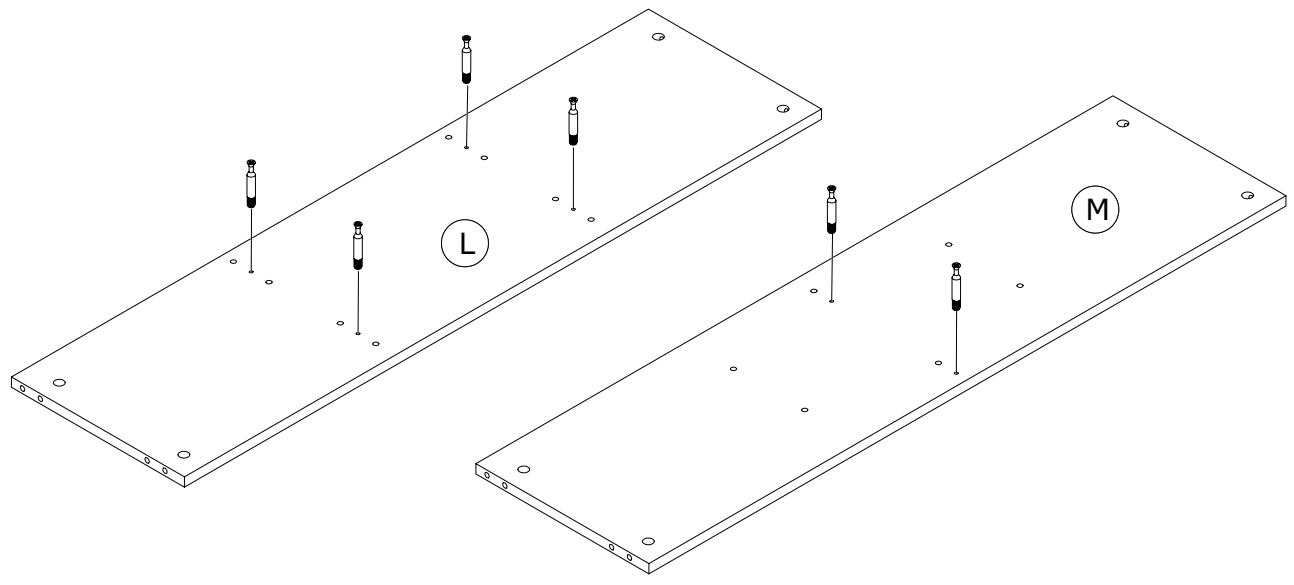
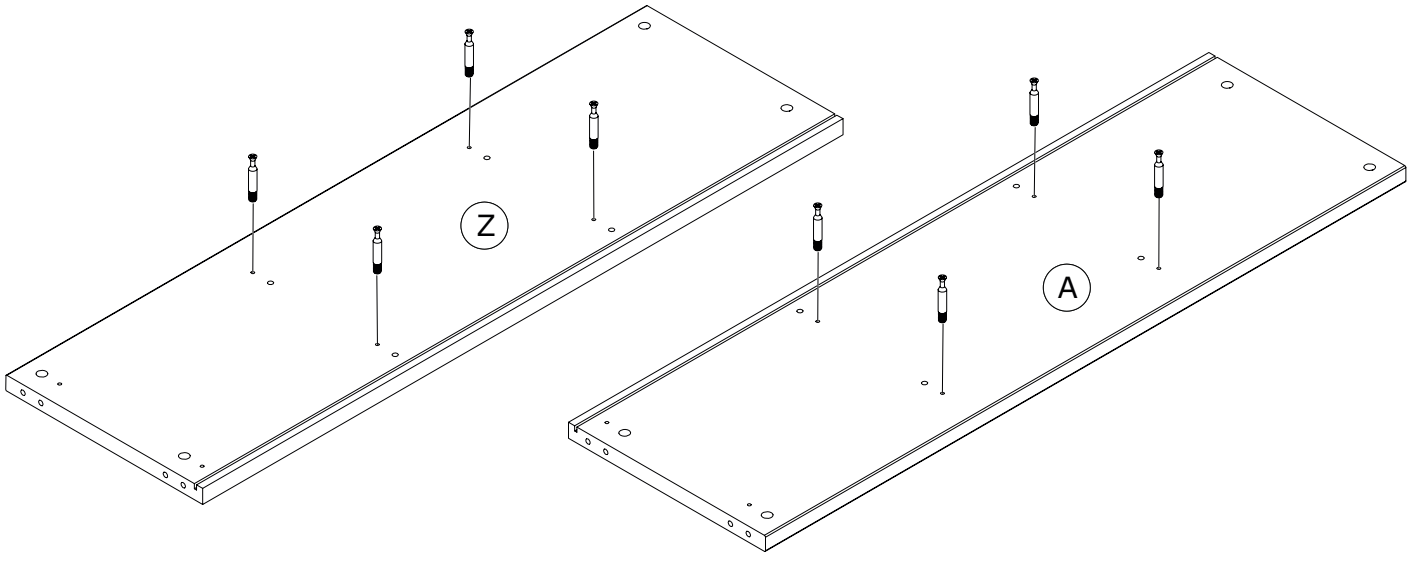
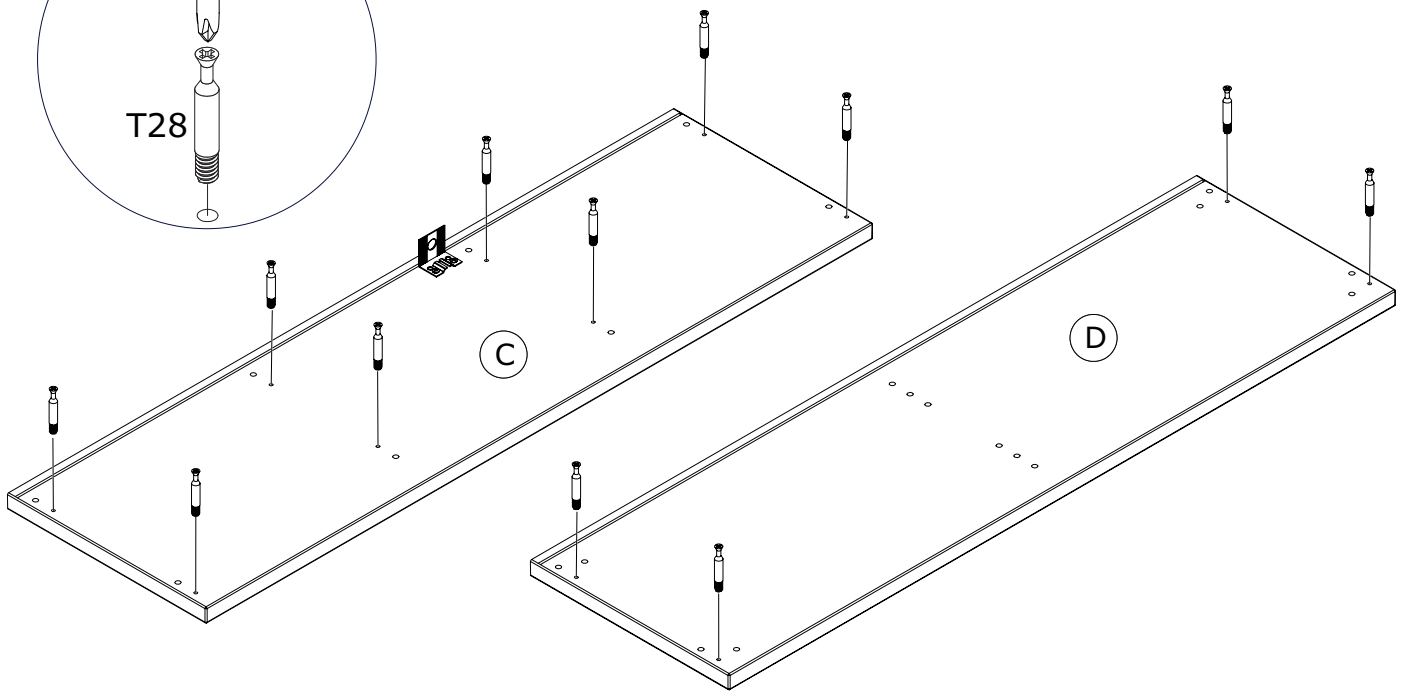
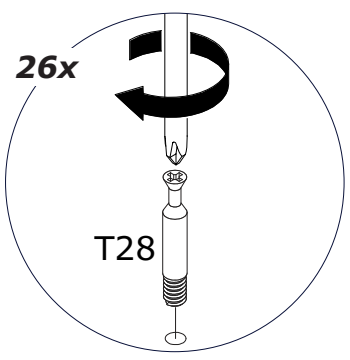
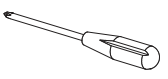


7

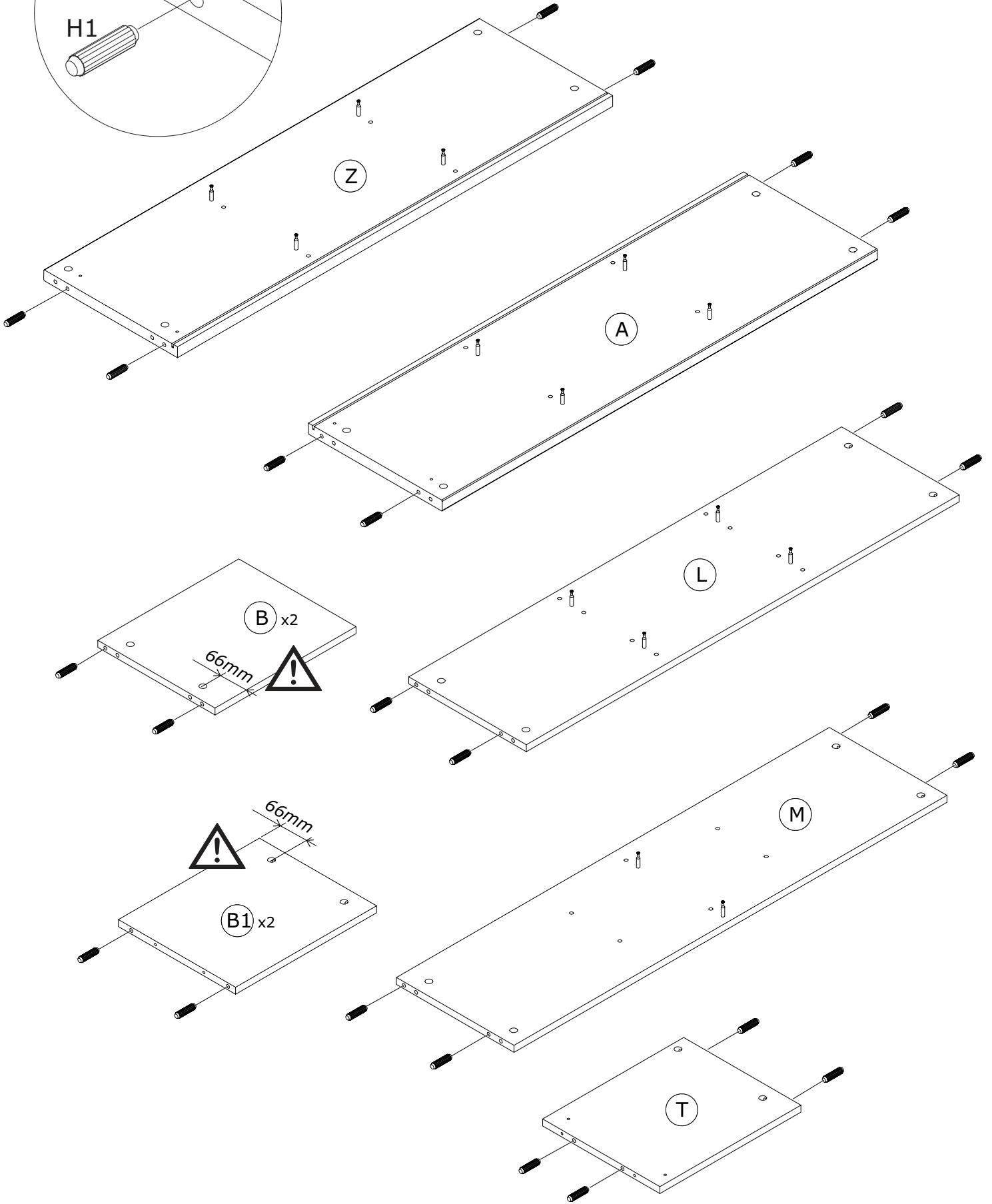
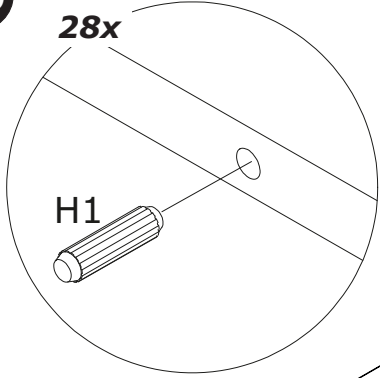
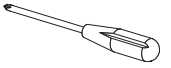


8

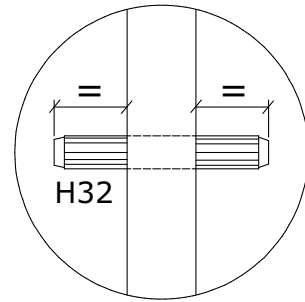
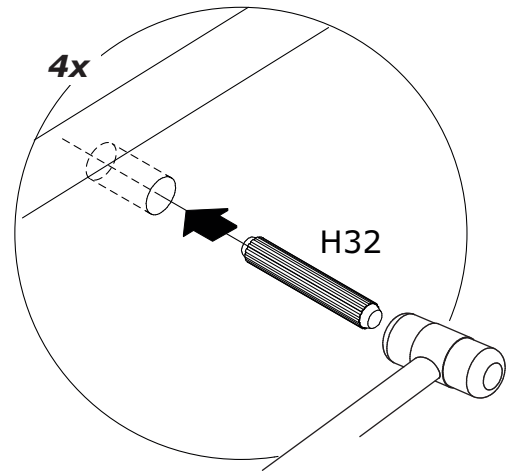
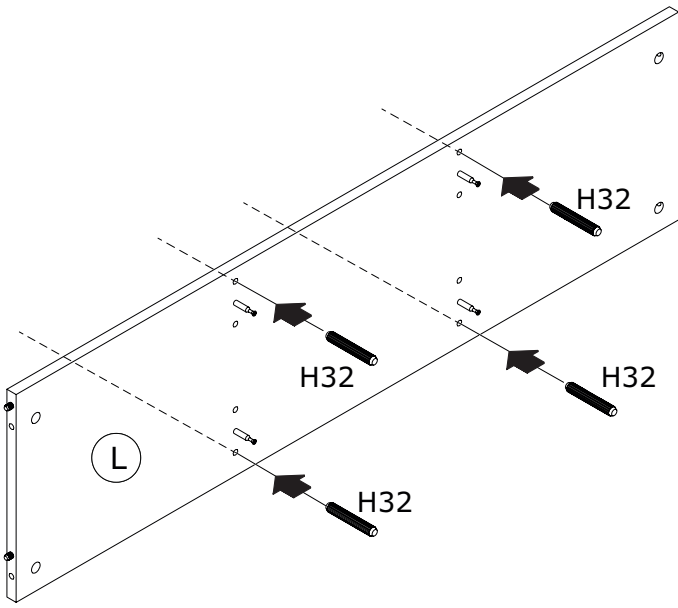
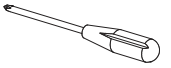




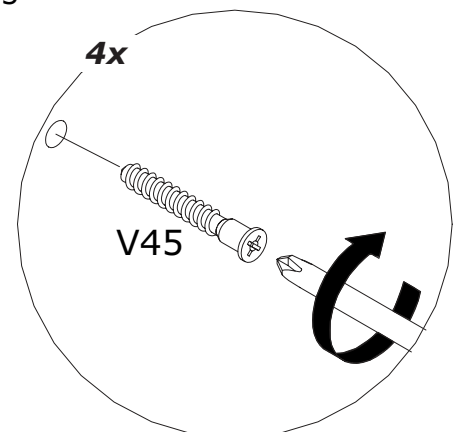
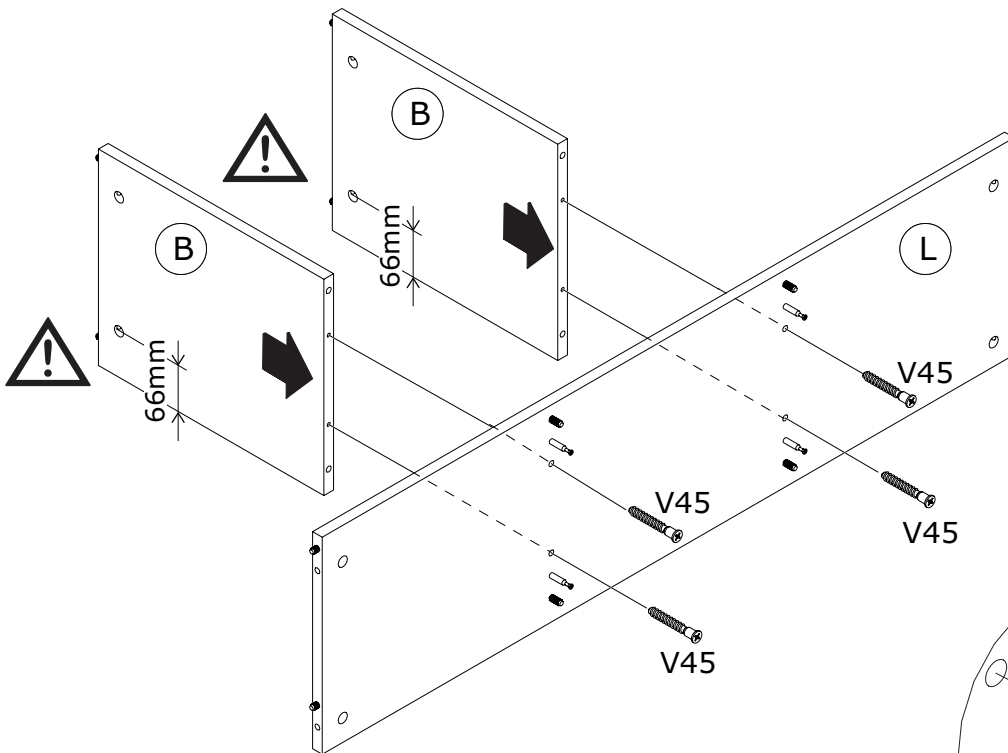
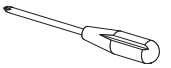
10



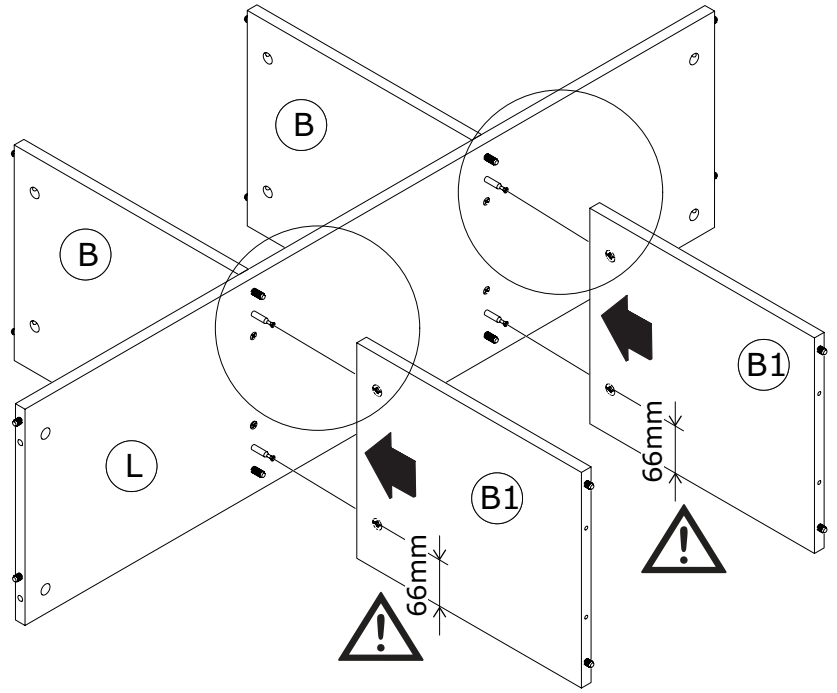
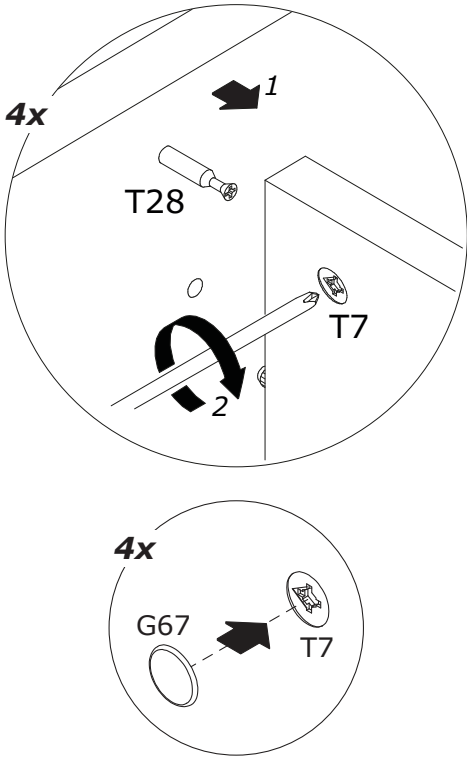
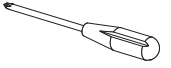
11



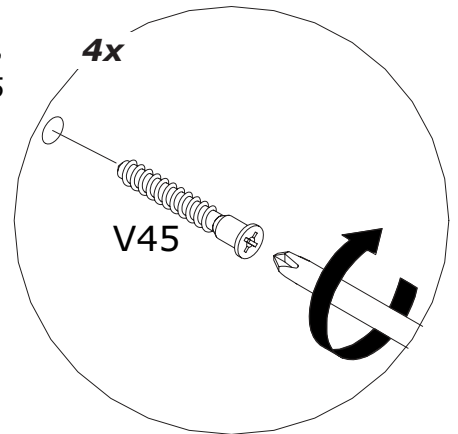
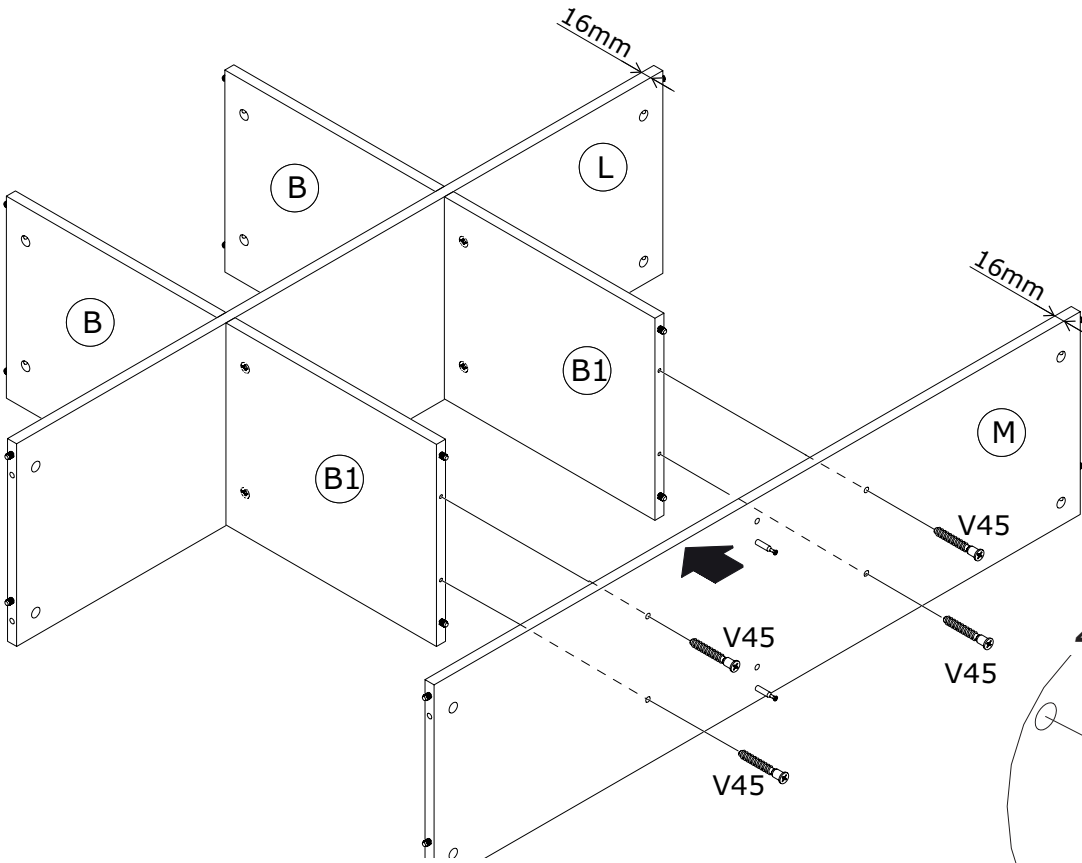
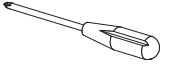
12

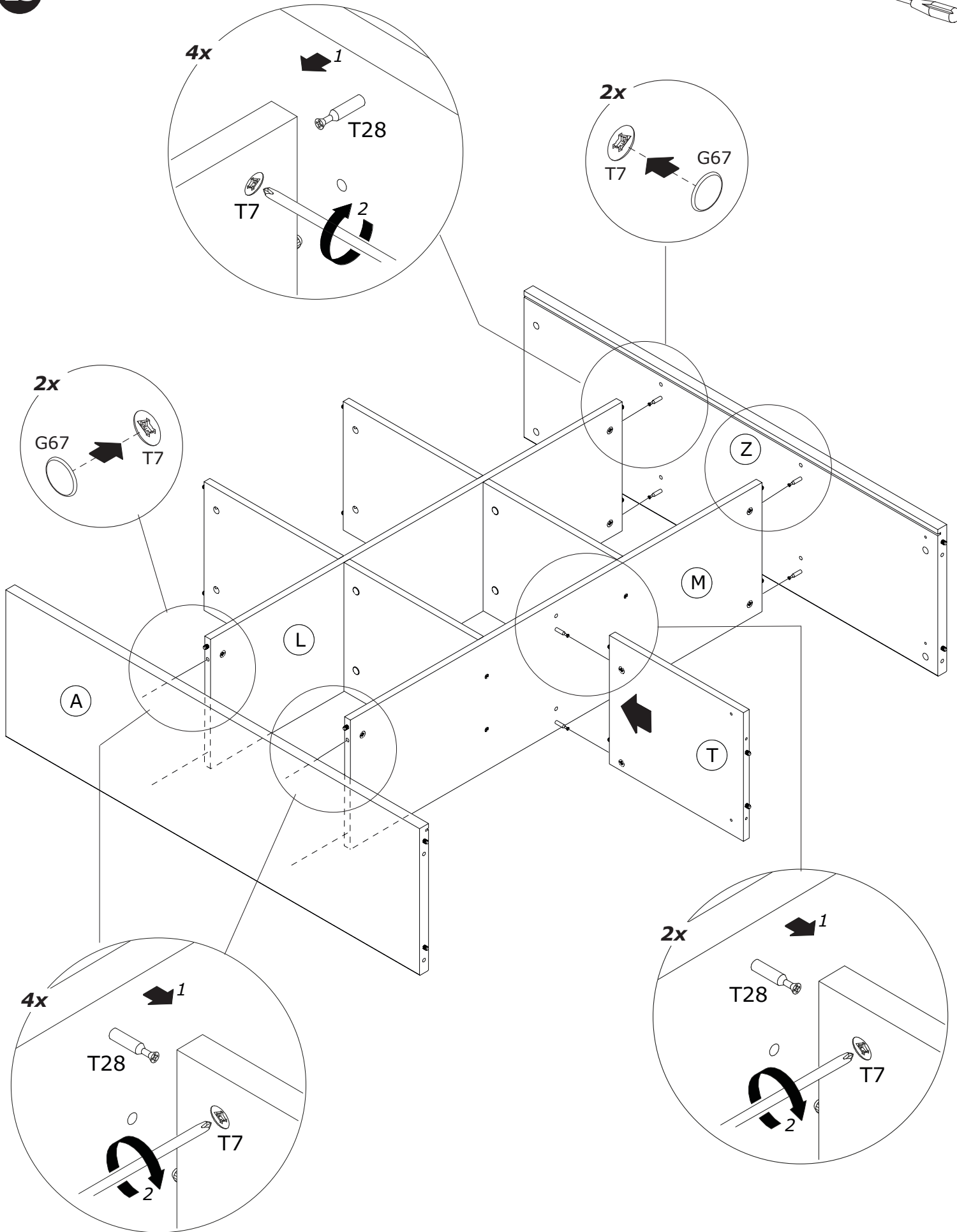
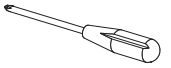


13

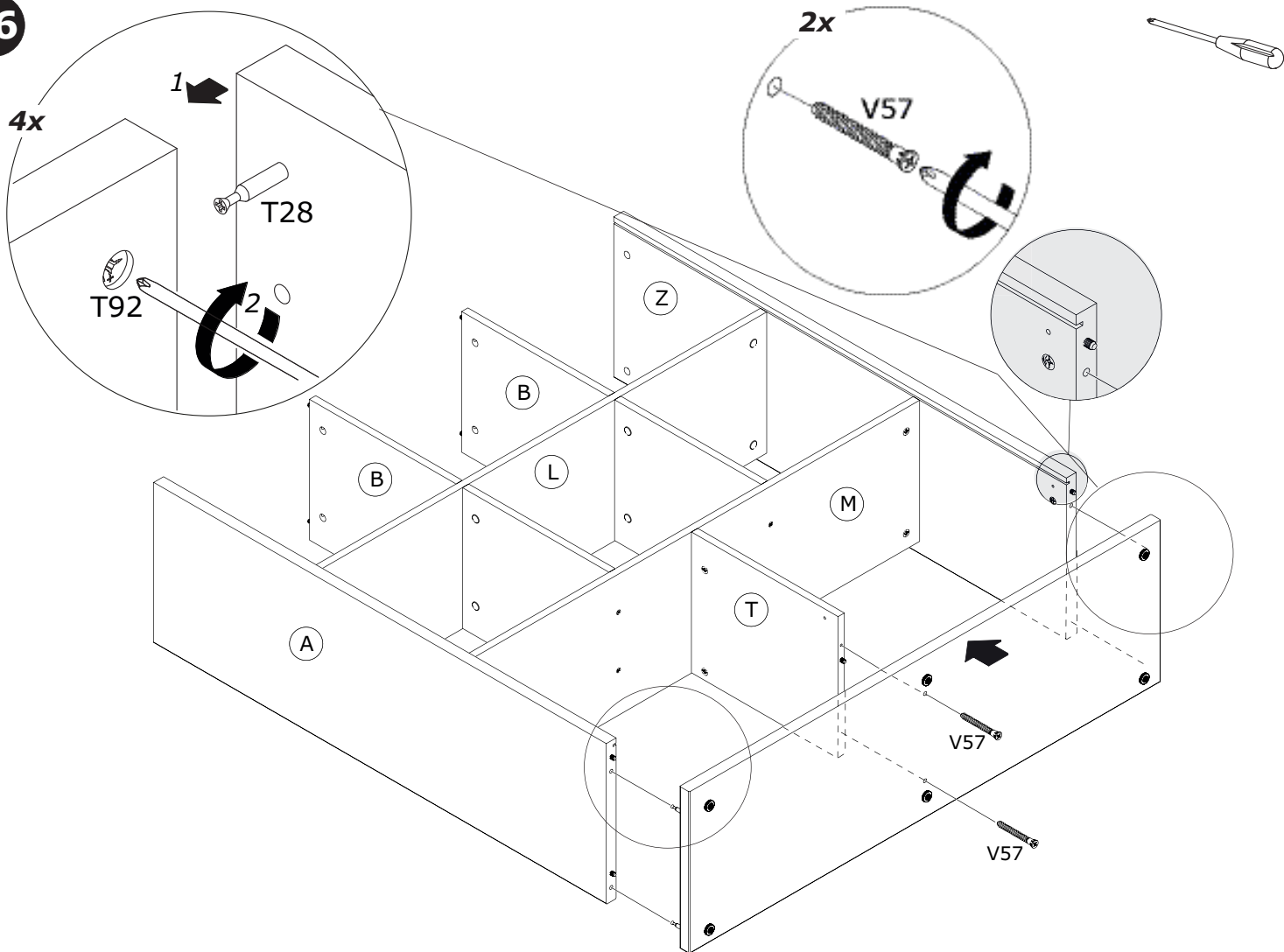


14

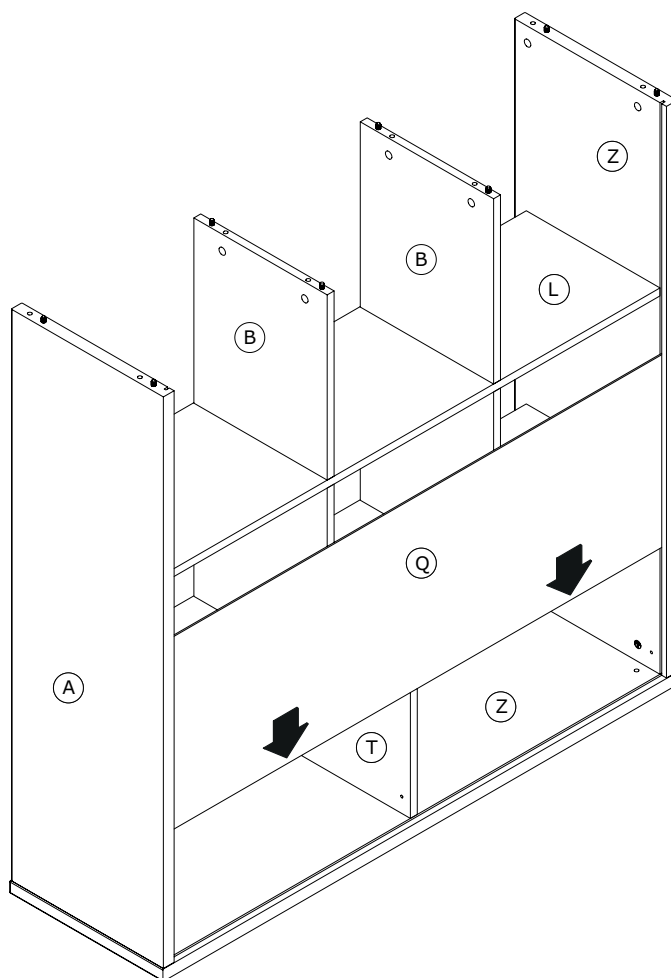




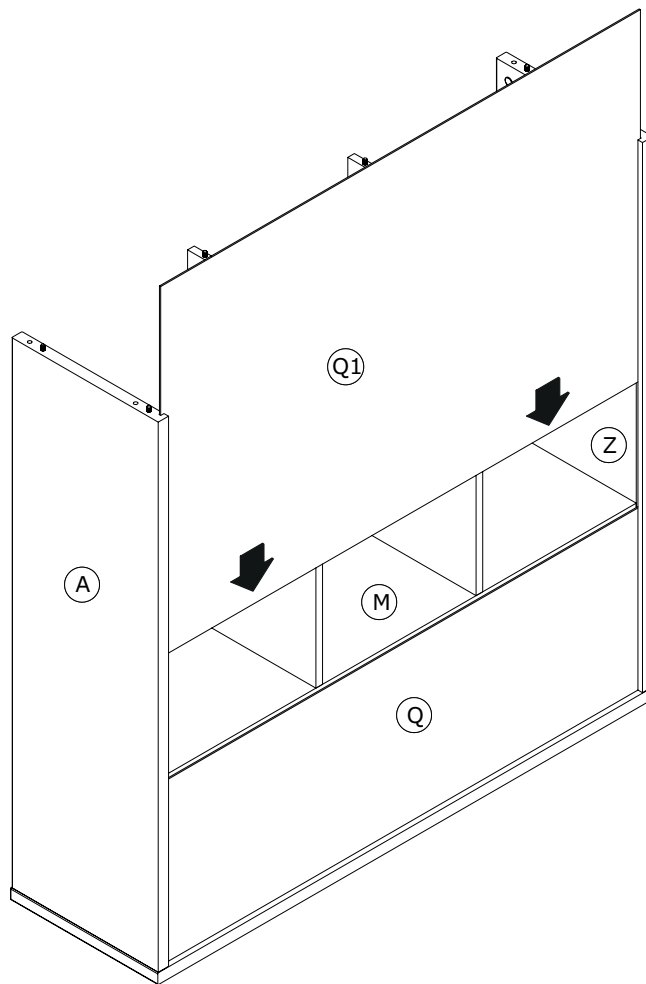
16



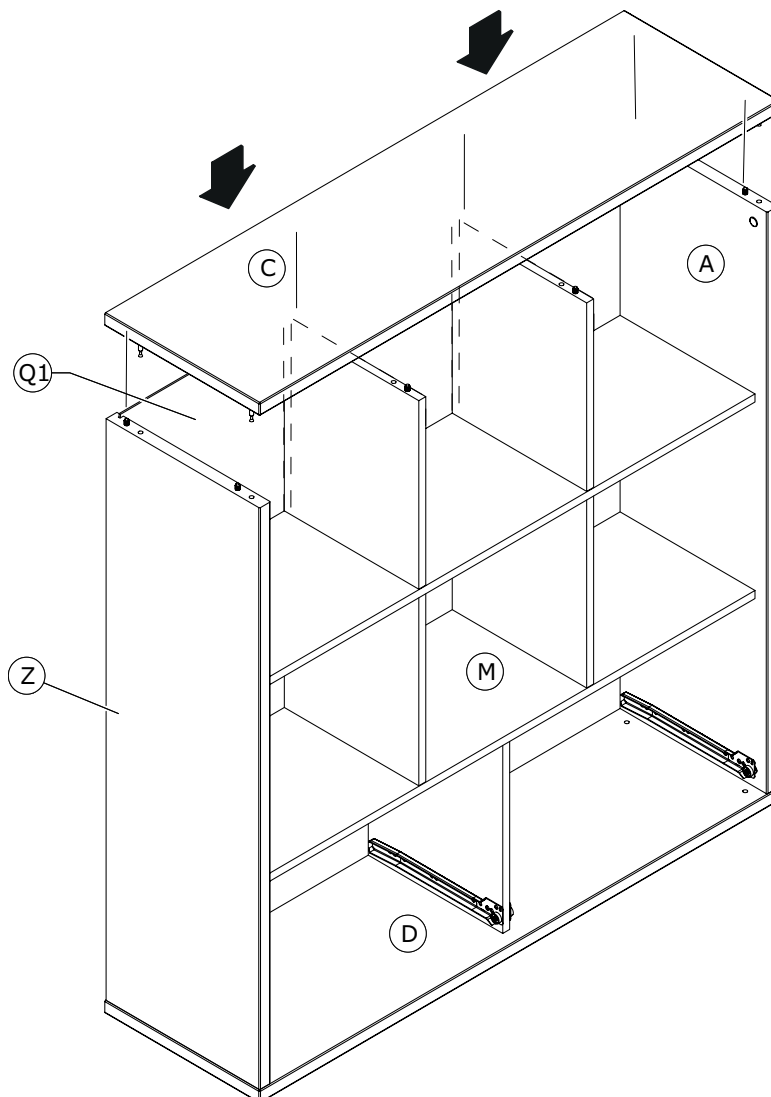
17

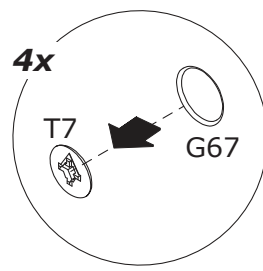
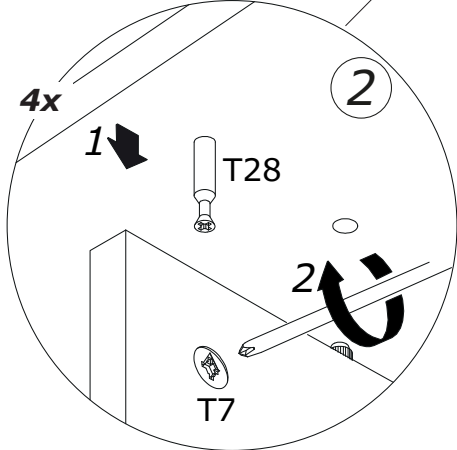
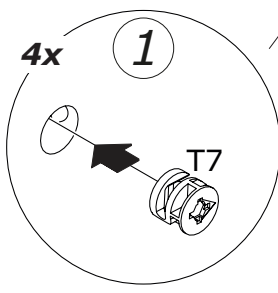
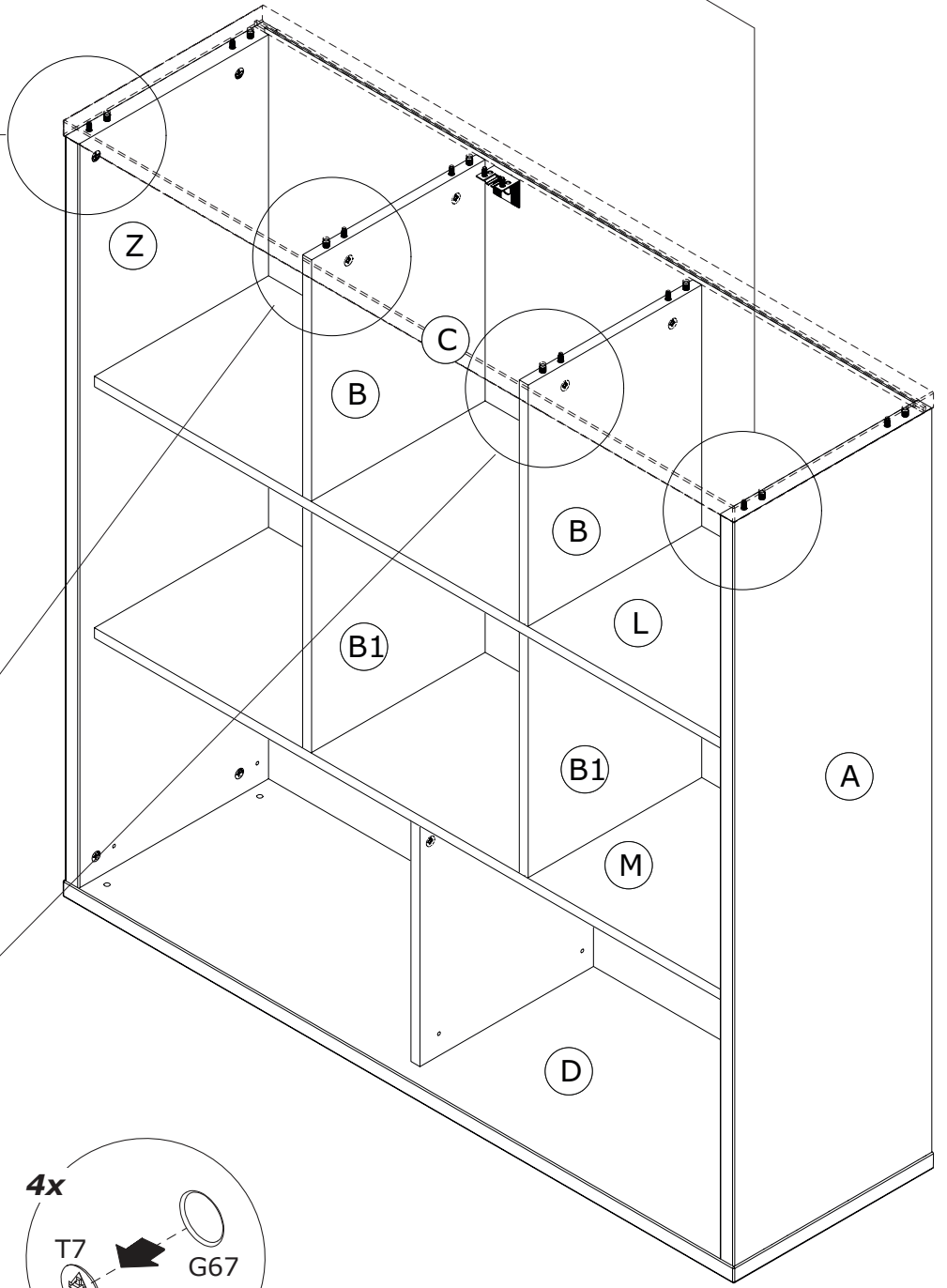
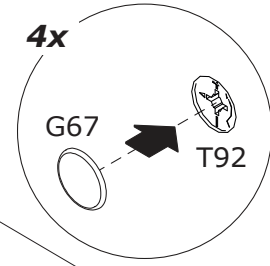
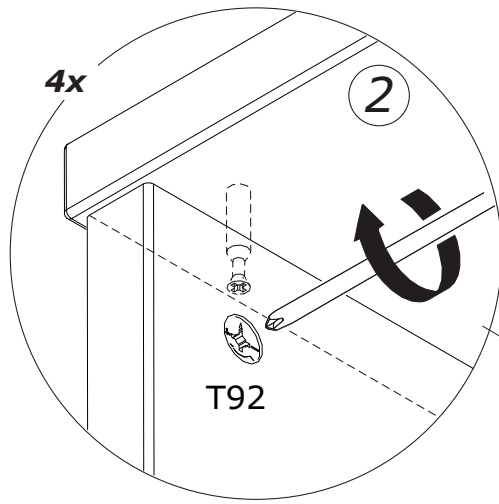
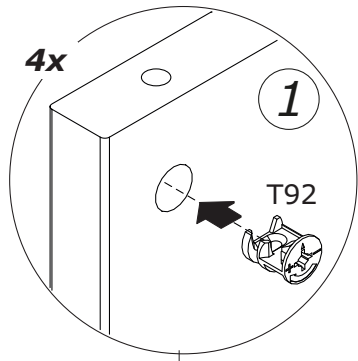
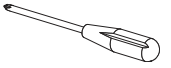


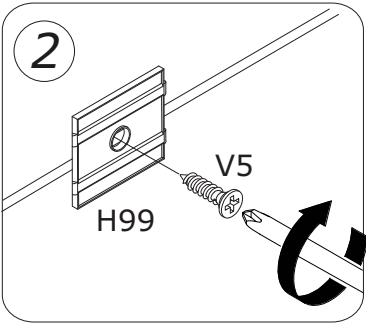
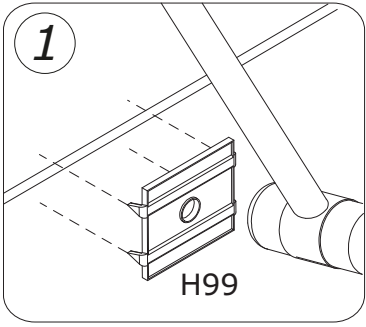
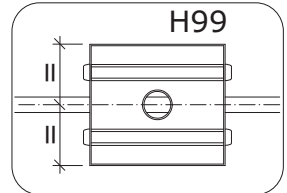
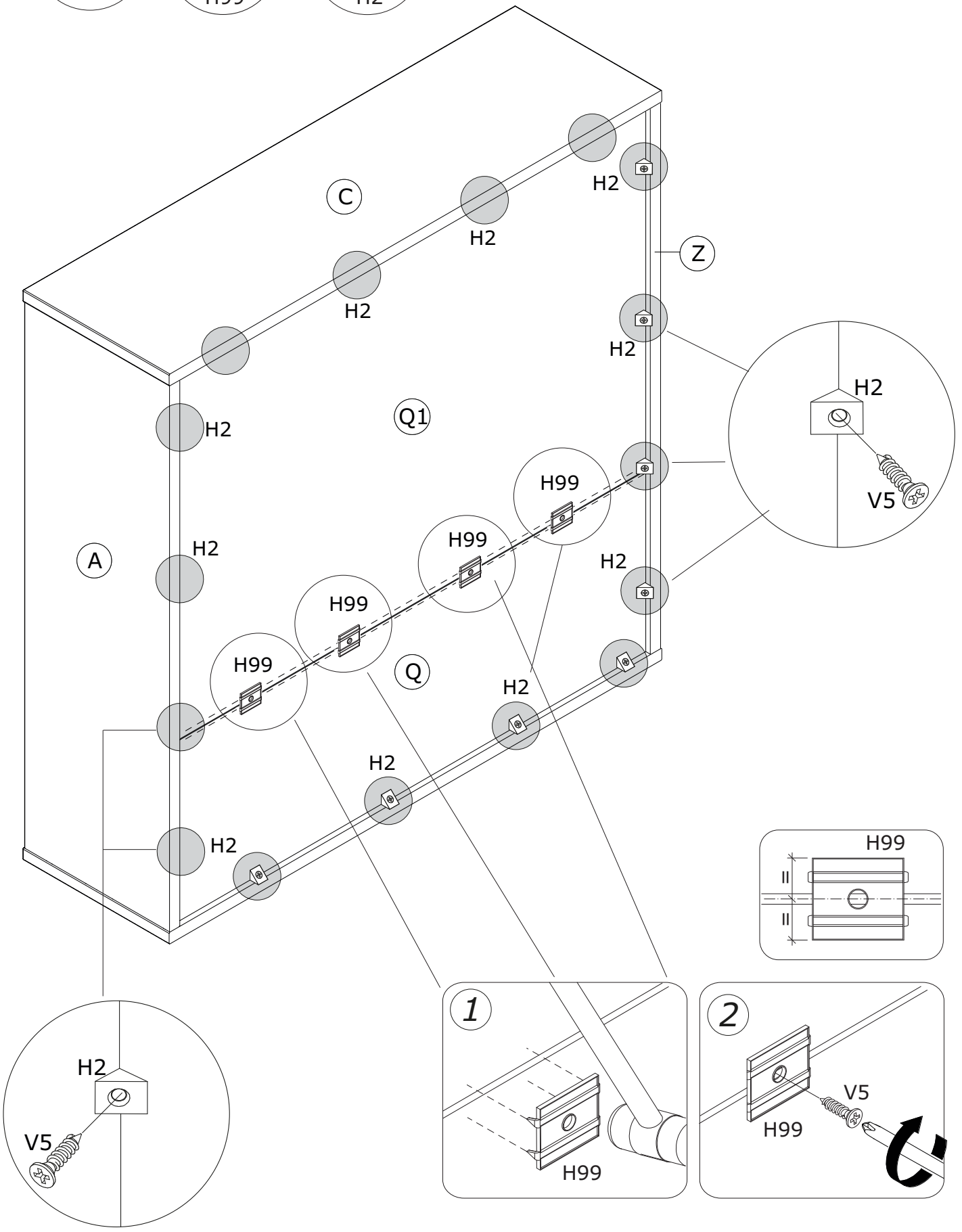
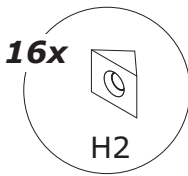
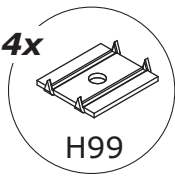
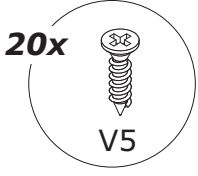
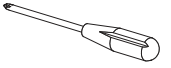
18

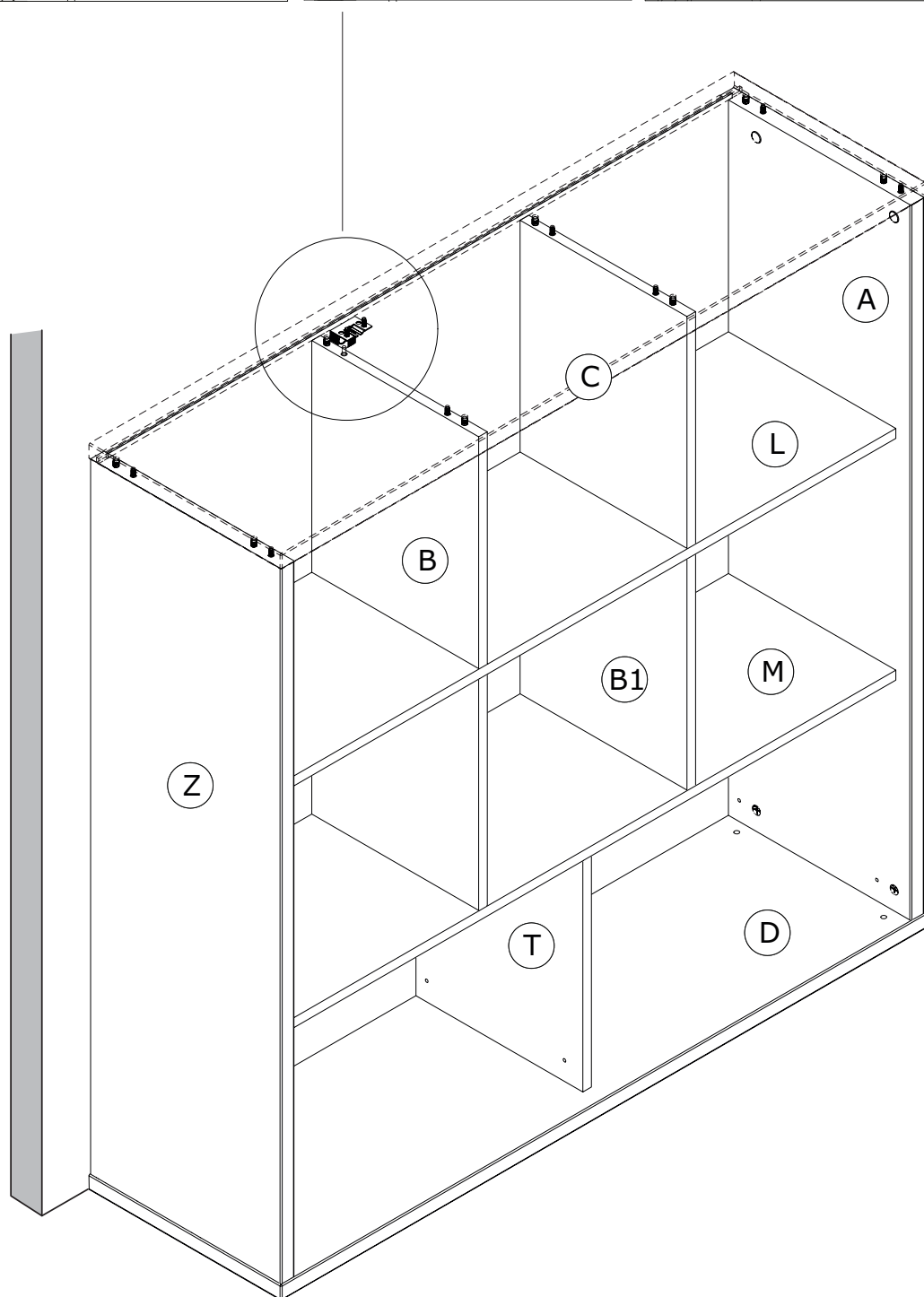
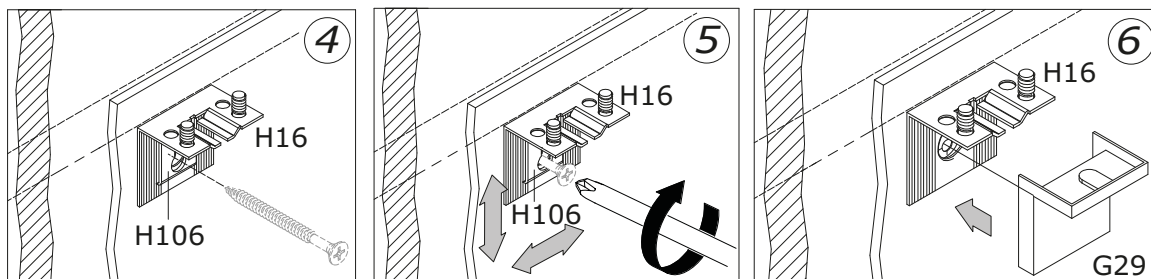
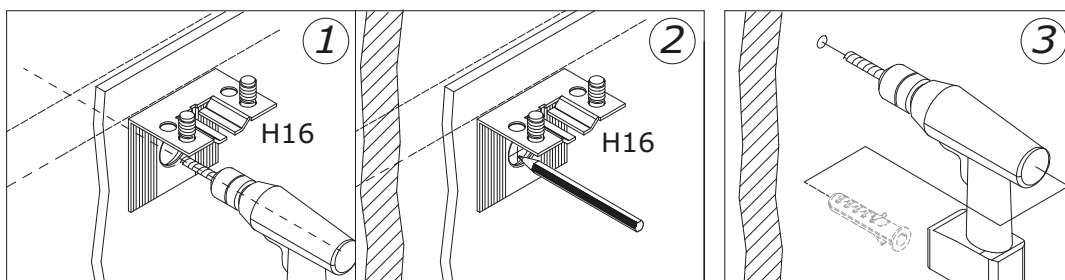
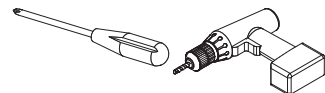


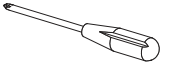
19







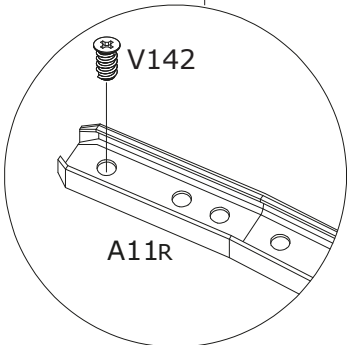
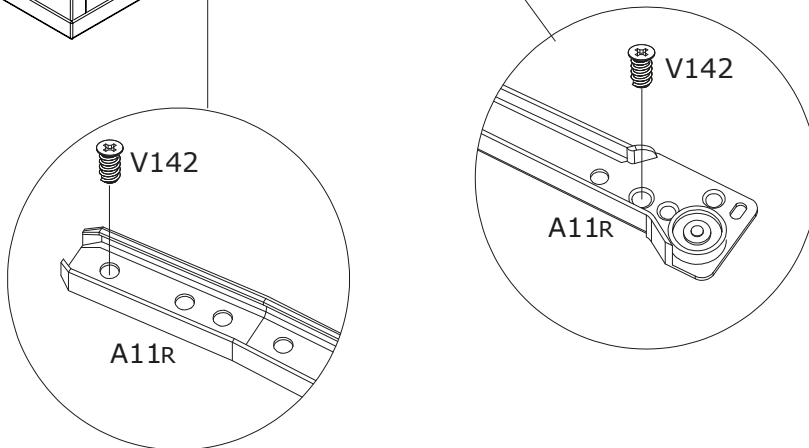
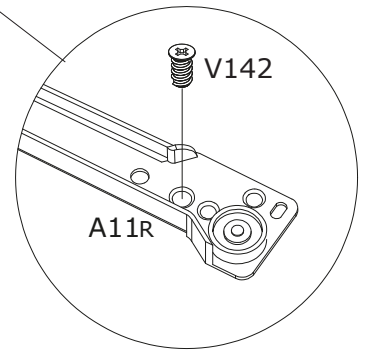
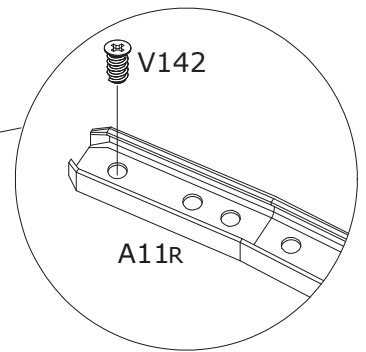
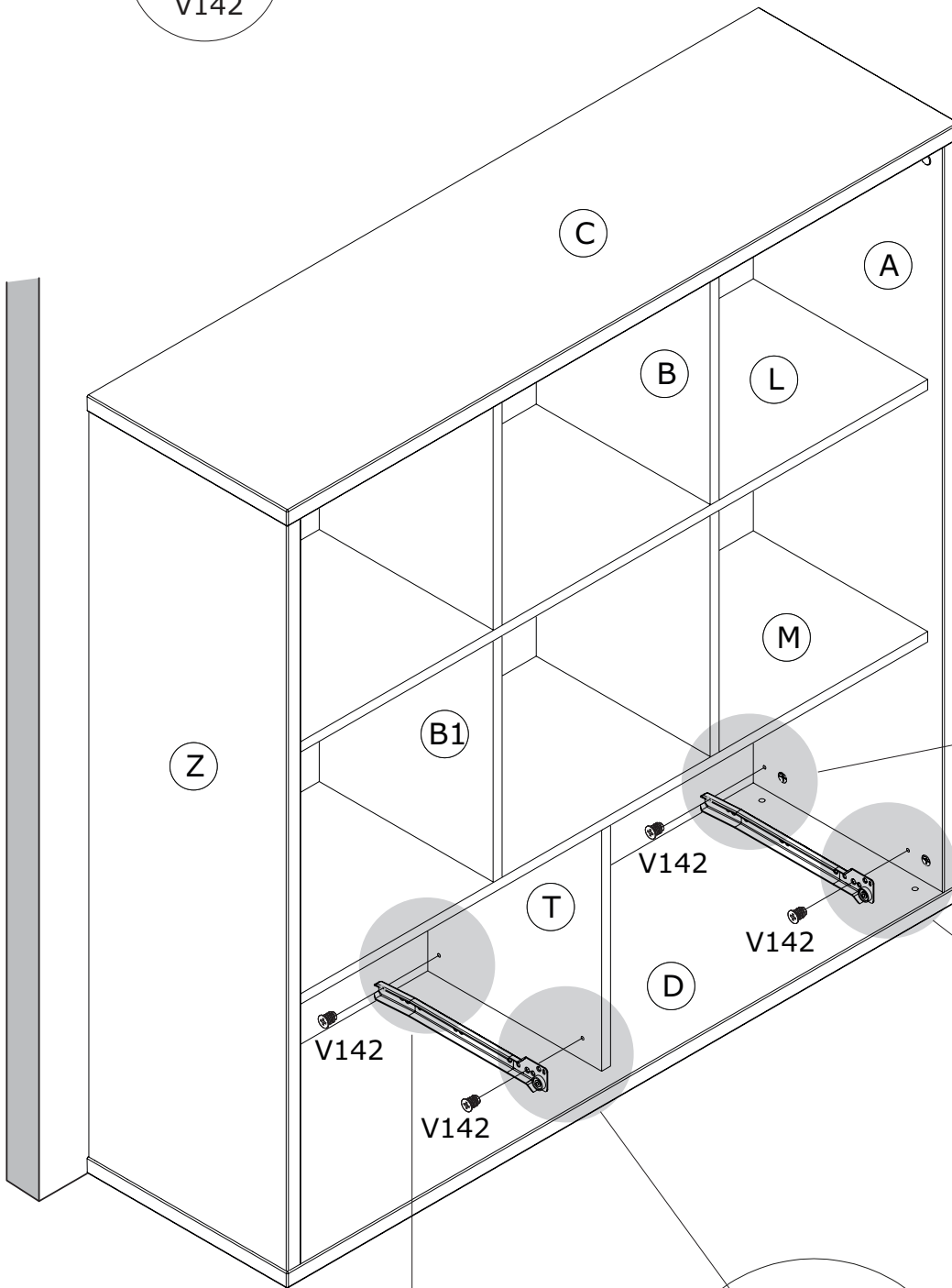


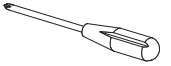


4x



V142

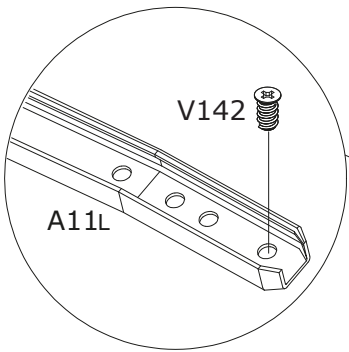




4x

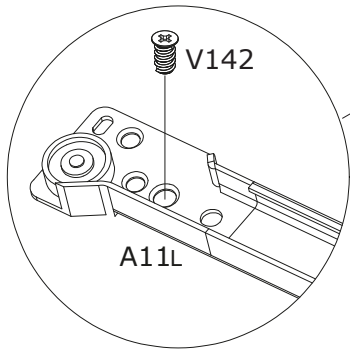


V142



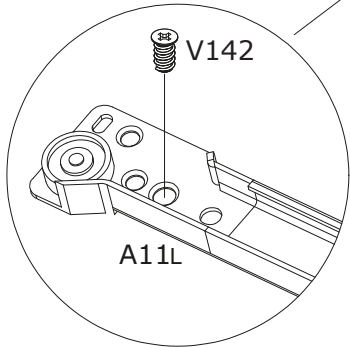
V142

A11L



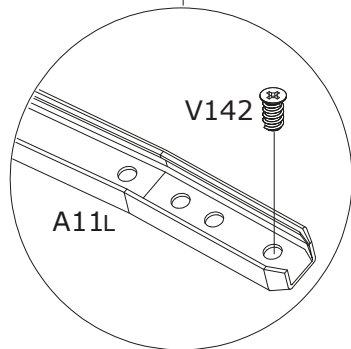
V142

A11L



V142

A11L



V142

A11L

