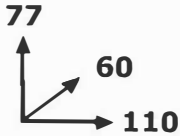
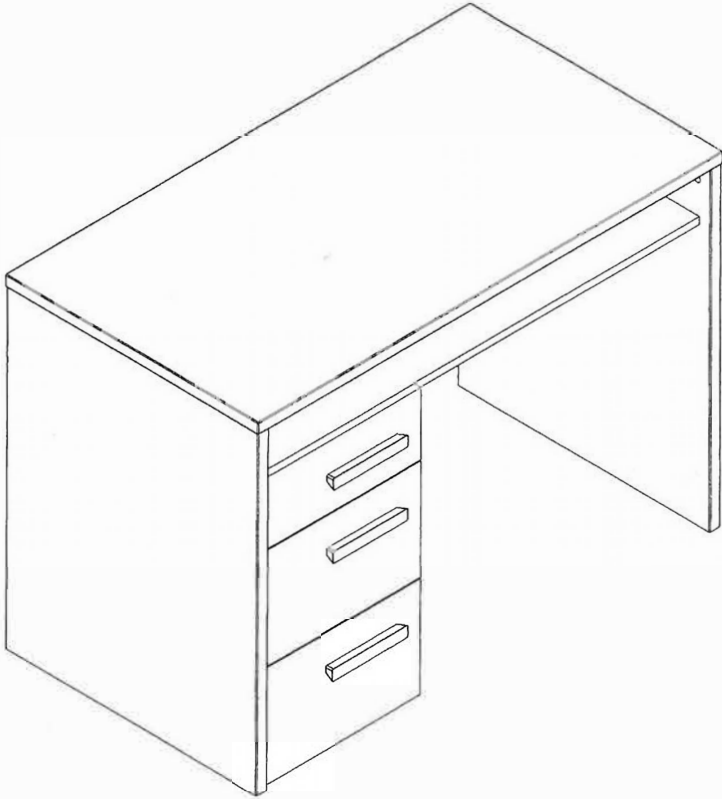
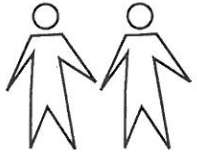
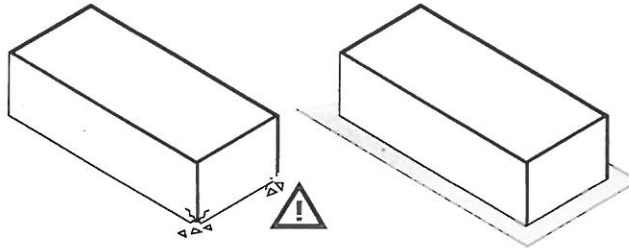
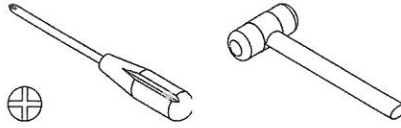


SR2655K56104

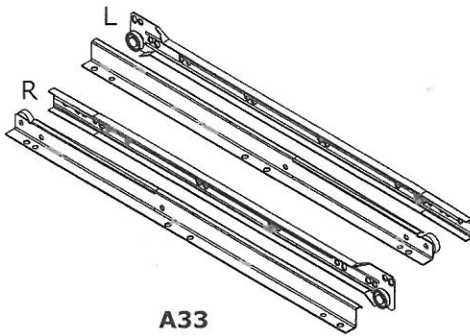




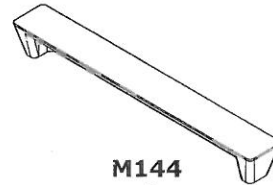
2h



BU3624



A33
x3



M144
x3

BU3603



V32
x6



V5
x18



H14
x1



V13
x12



P34
x6



T94
x6



T28
x23



T98
x6



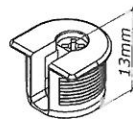
G128
x6



H2
x6



H113
x6



T116
x6



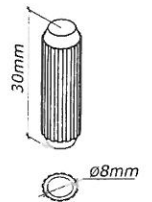
T69
x6



T7
x11



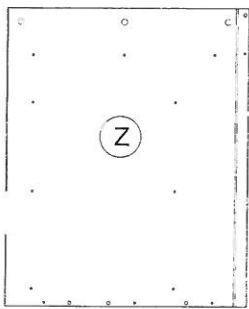
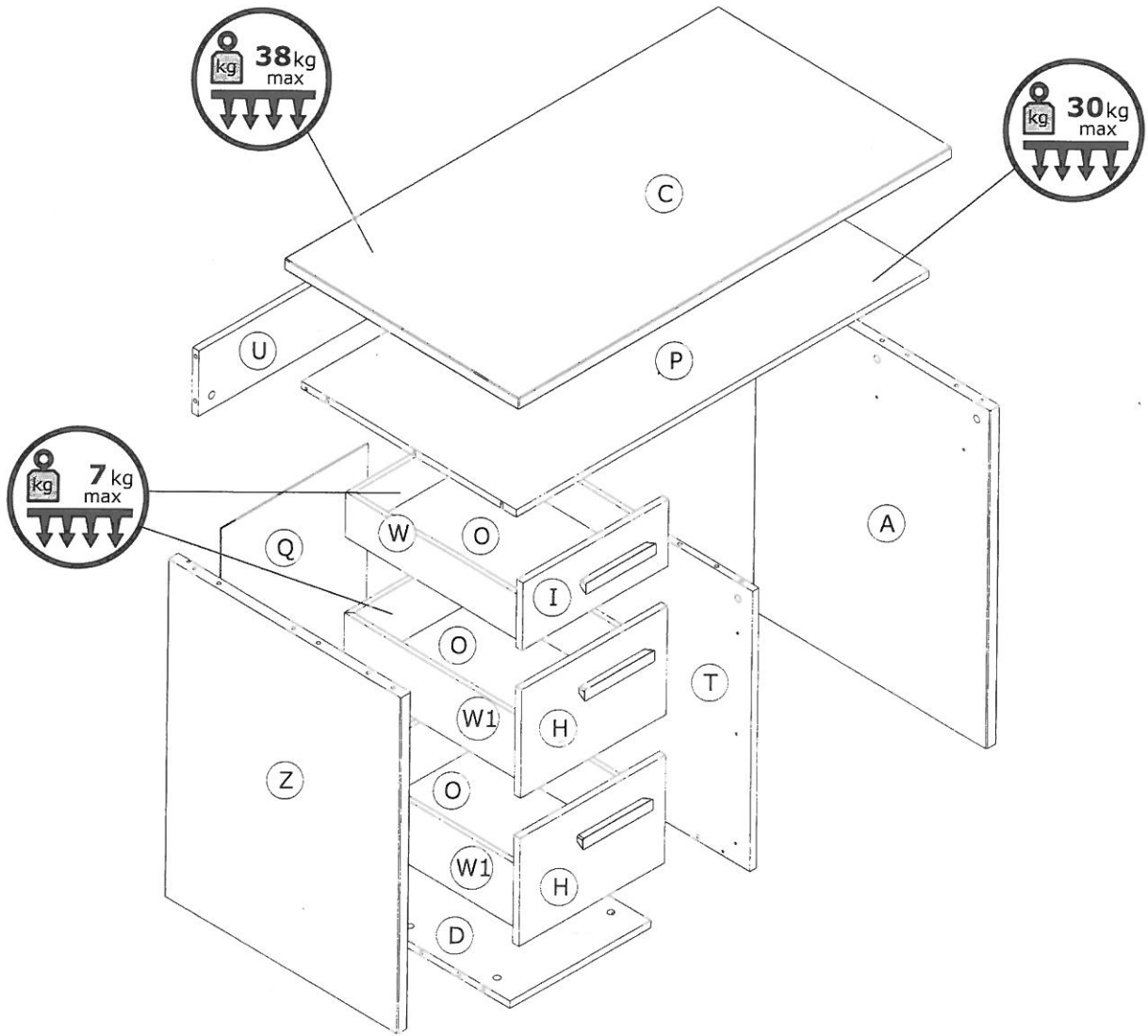
T92
x6



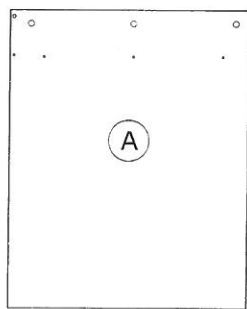
H1
x17



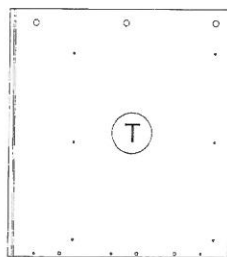
G67
x6



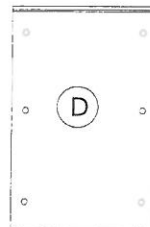
FI7804
734x598x25mm



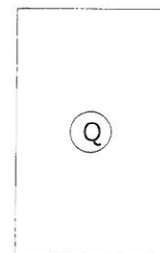
FI7803
734x598x25mm



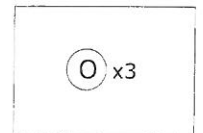
TR1953
610x551x16mm



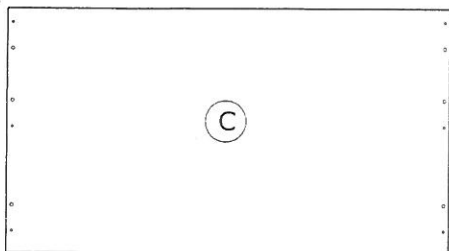
BA1949
358x549x16mm



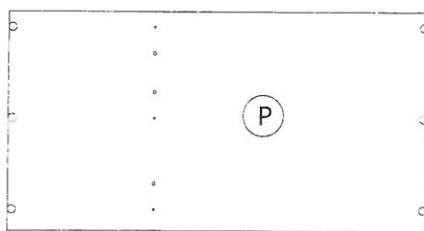
SH2968
607x372x3mm



SH2969
451x320x3mm



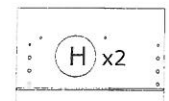
CA3207
1100x602x25mm



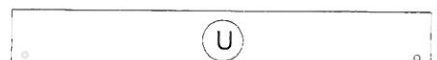
PI6709
1046x552x16mm



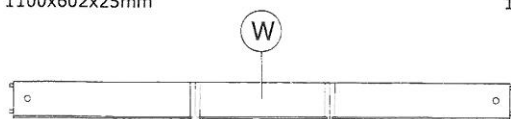
CS2790
730x146x16mm



CS2788
370x236x16mm



FS2885
1046x142x16mm

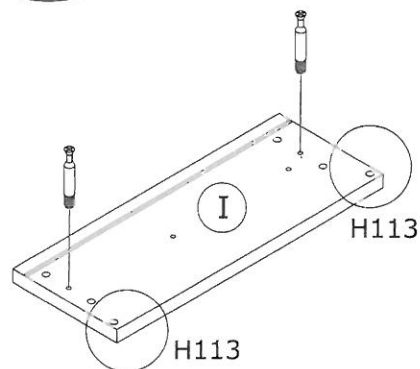
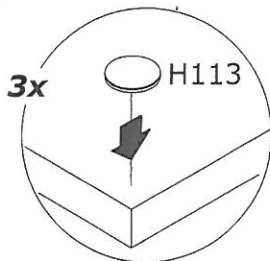
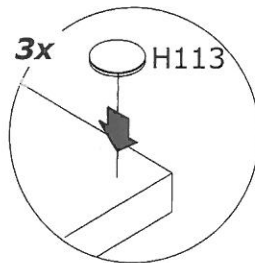
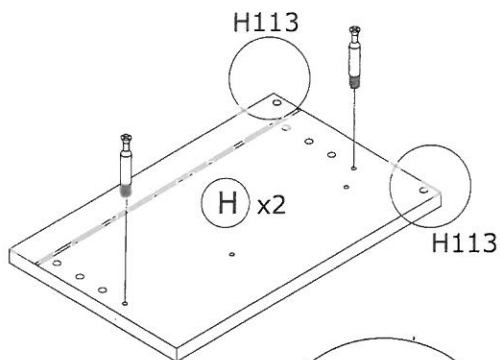
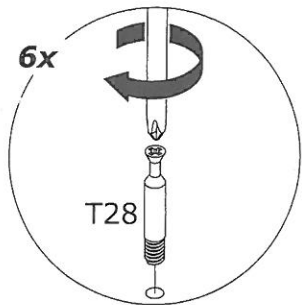


OS0403
450x333x450mm H.98mm

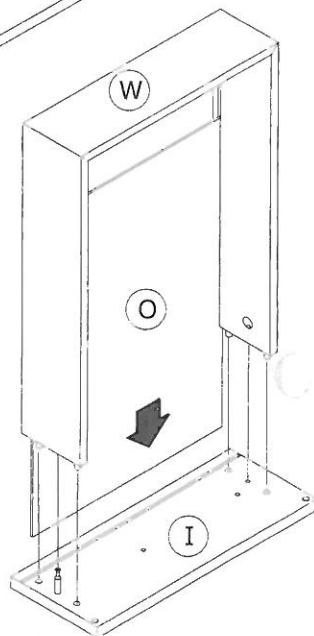
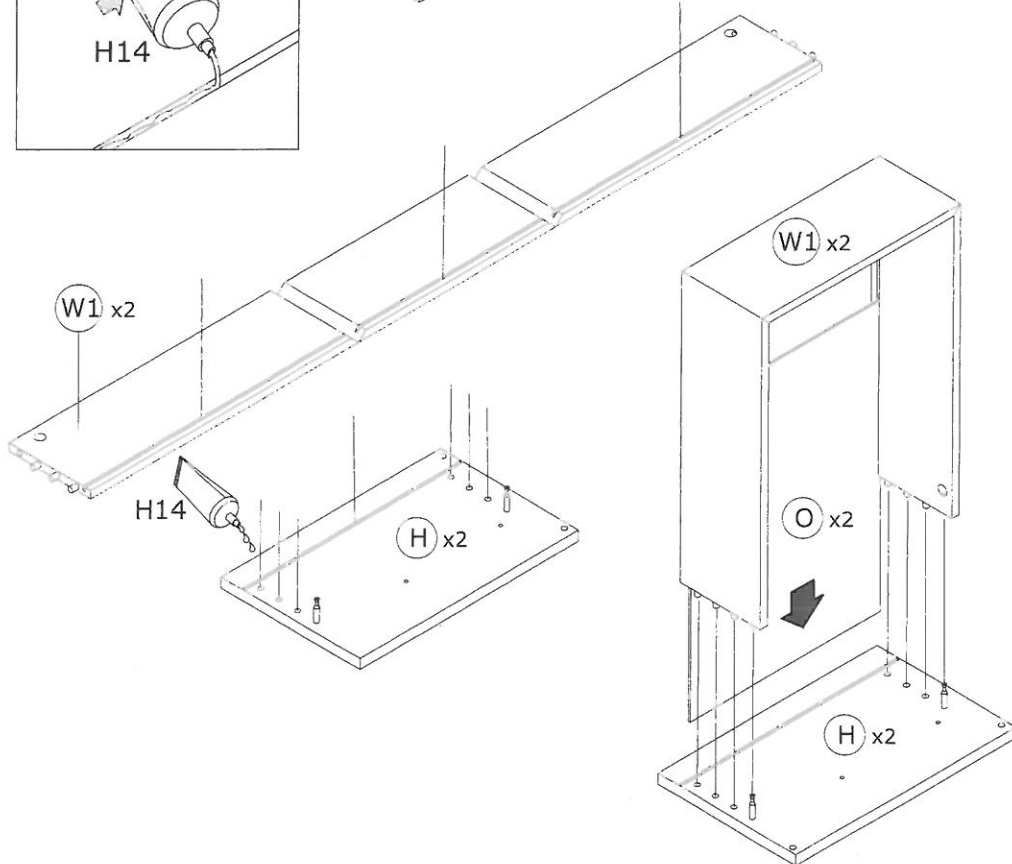
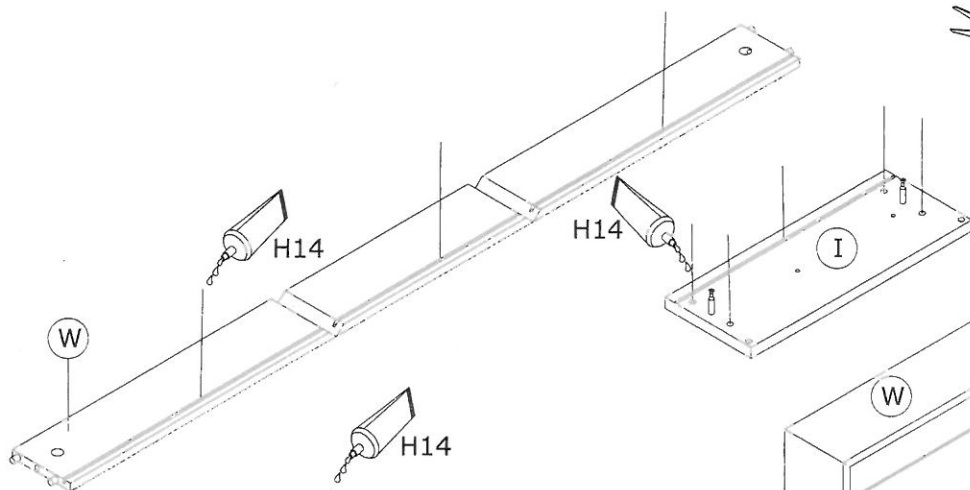
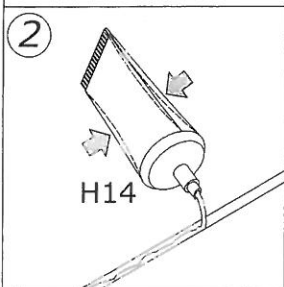
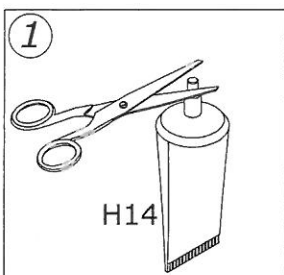


OS0404
450x333x450mm H.138mm

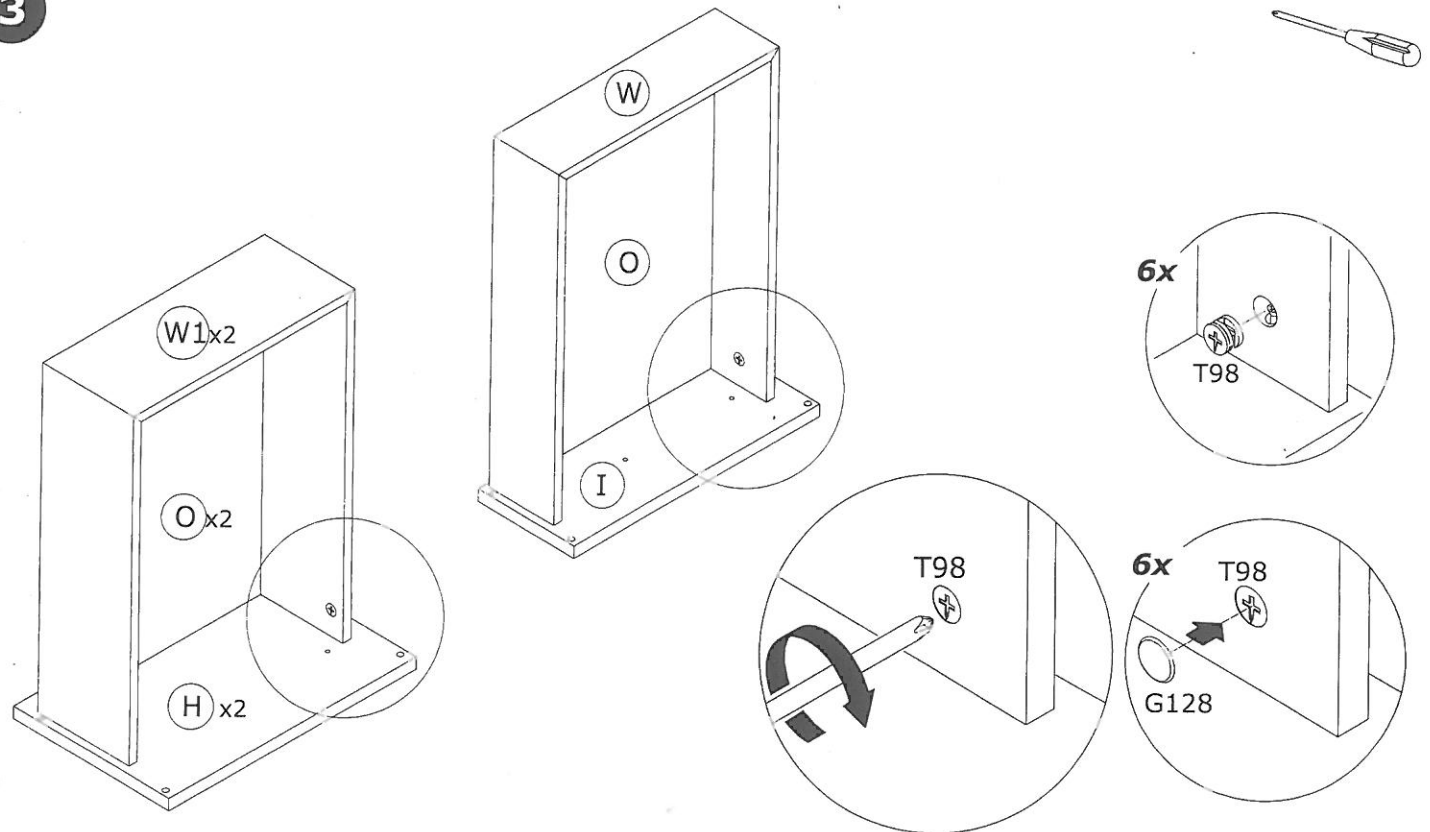
1



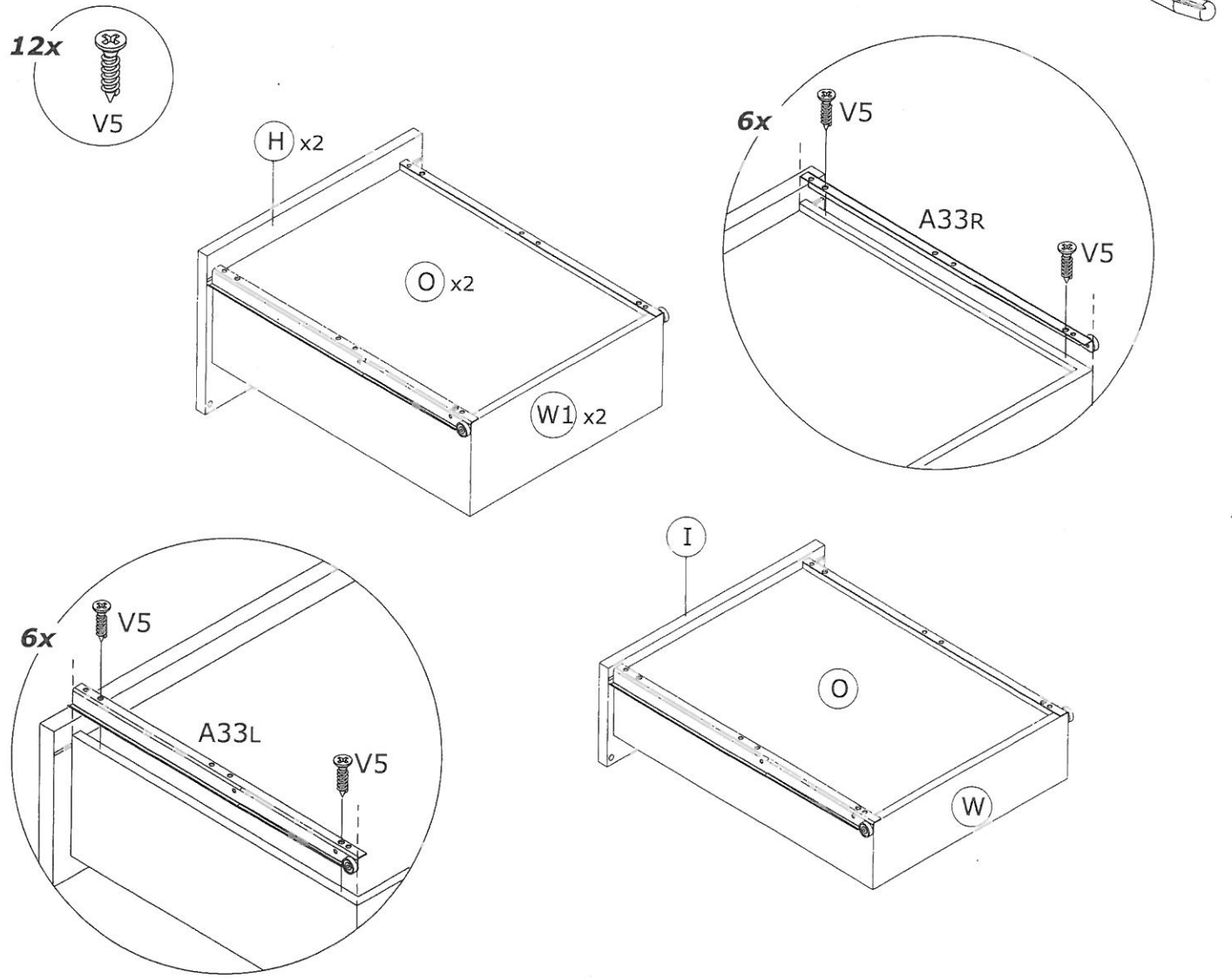
2



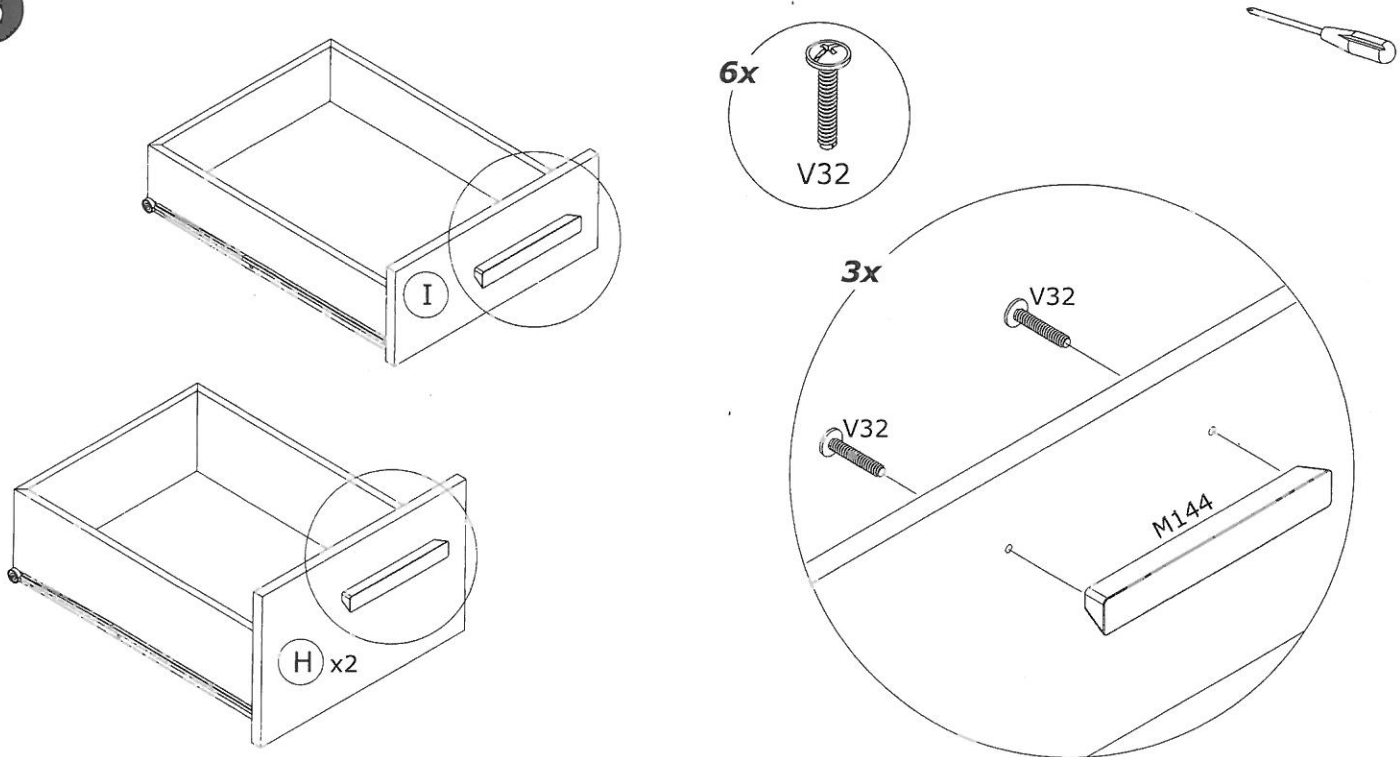
3



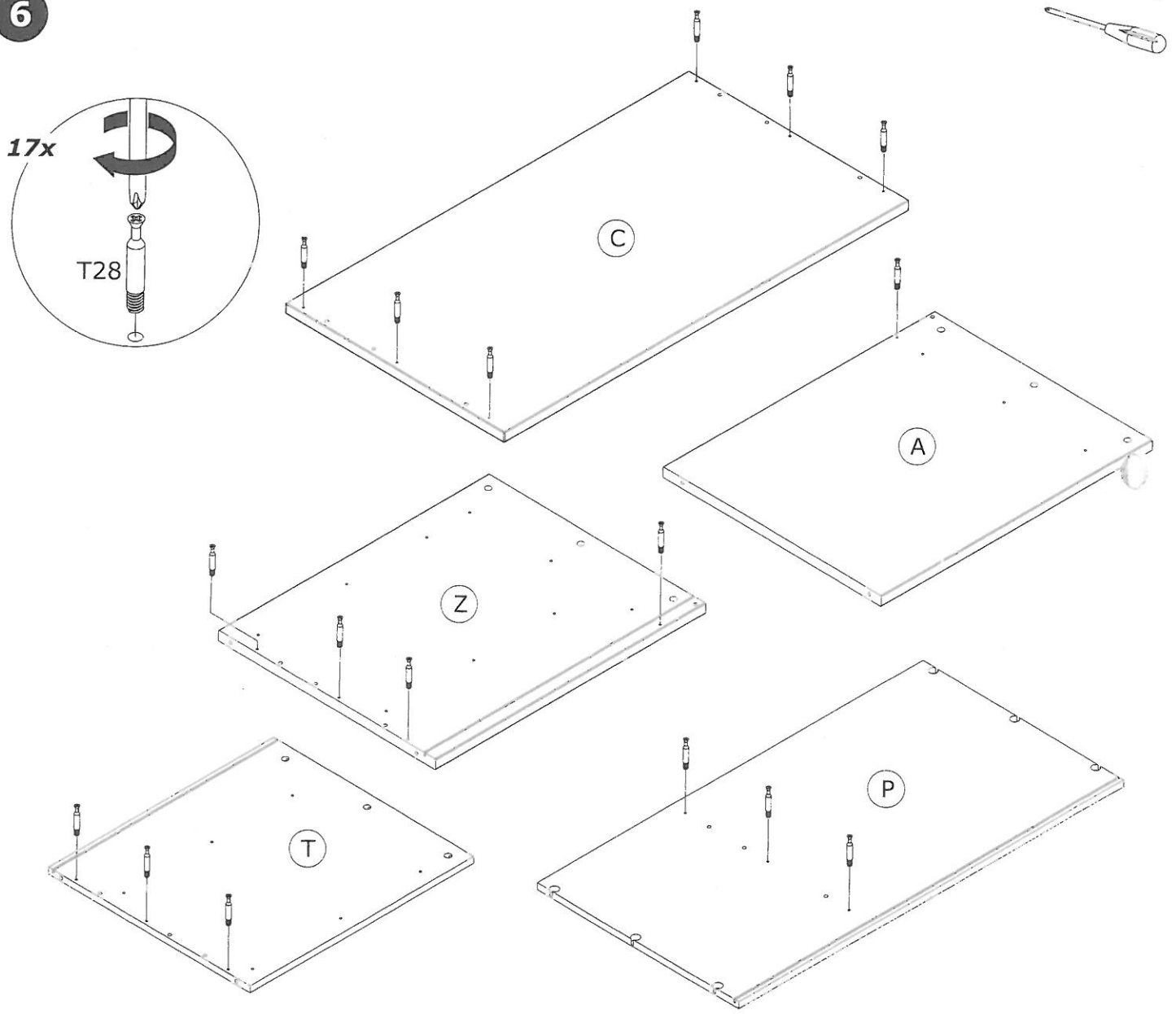
4



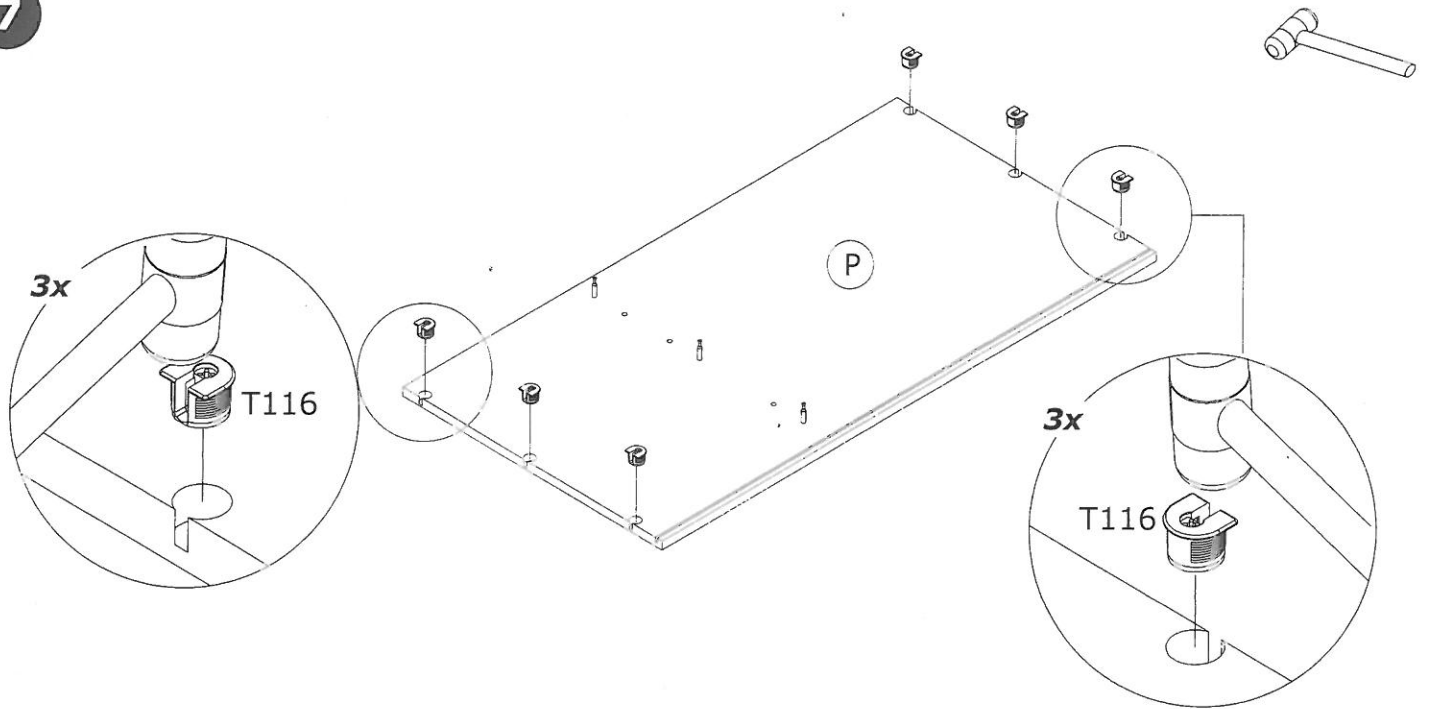
5



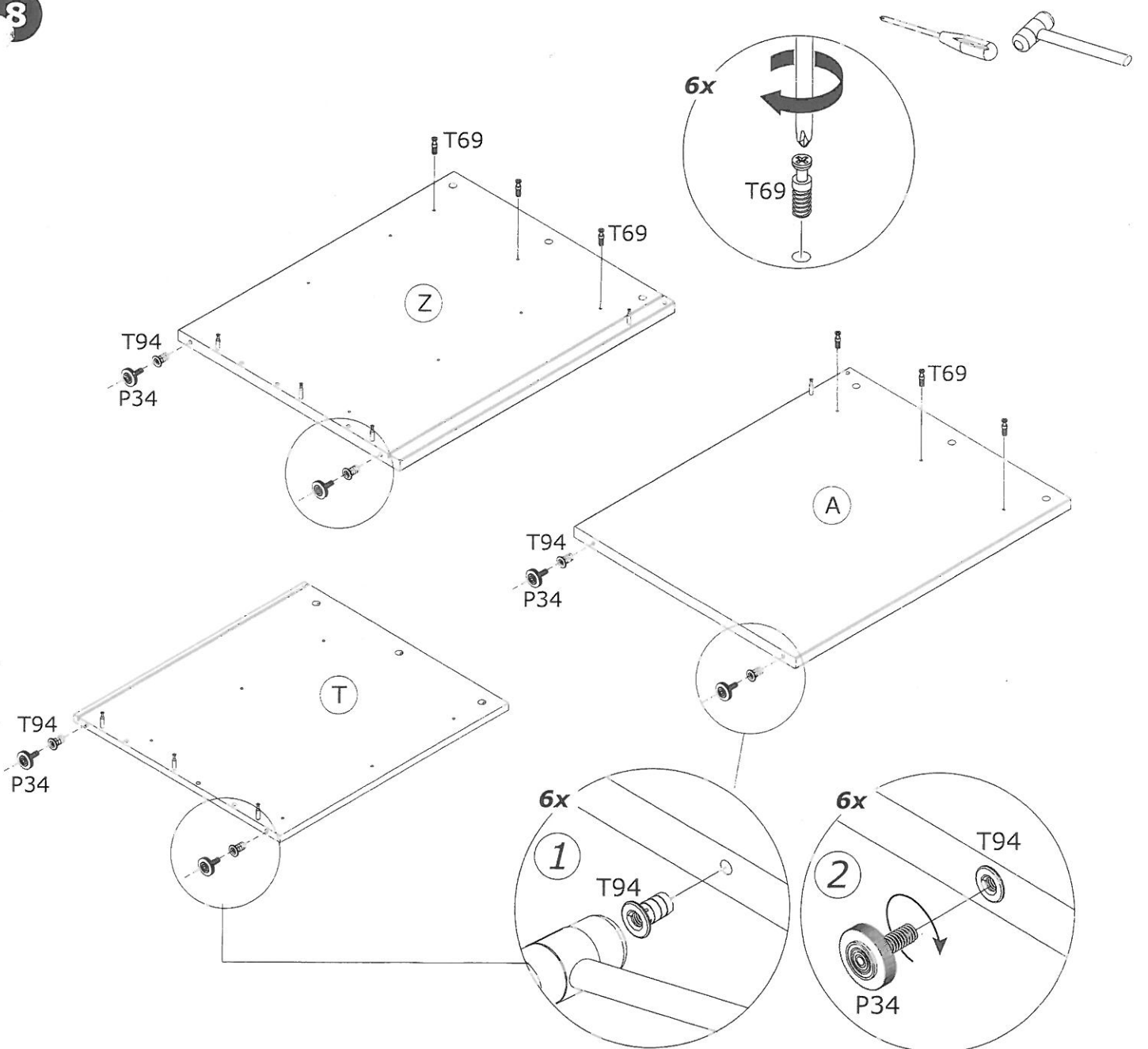
6



7

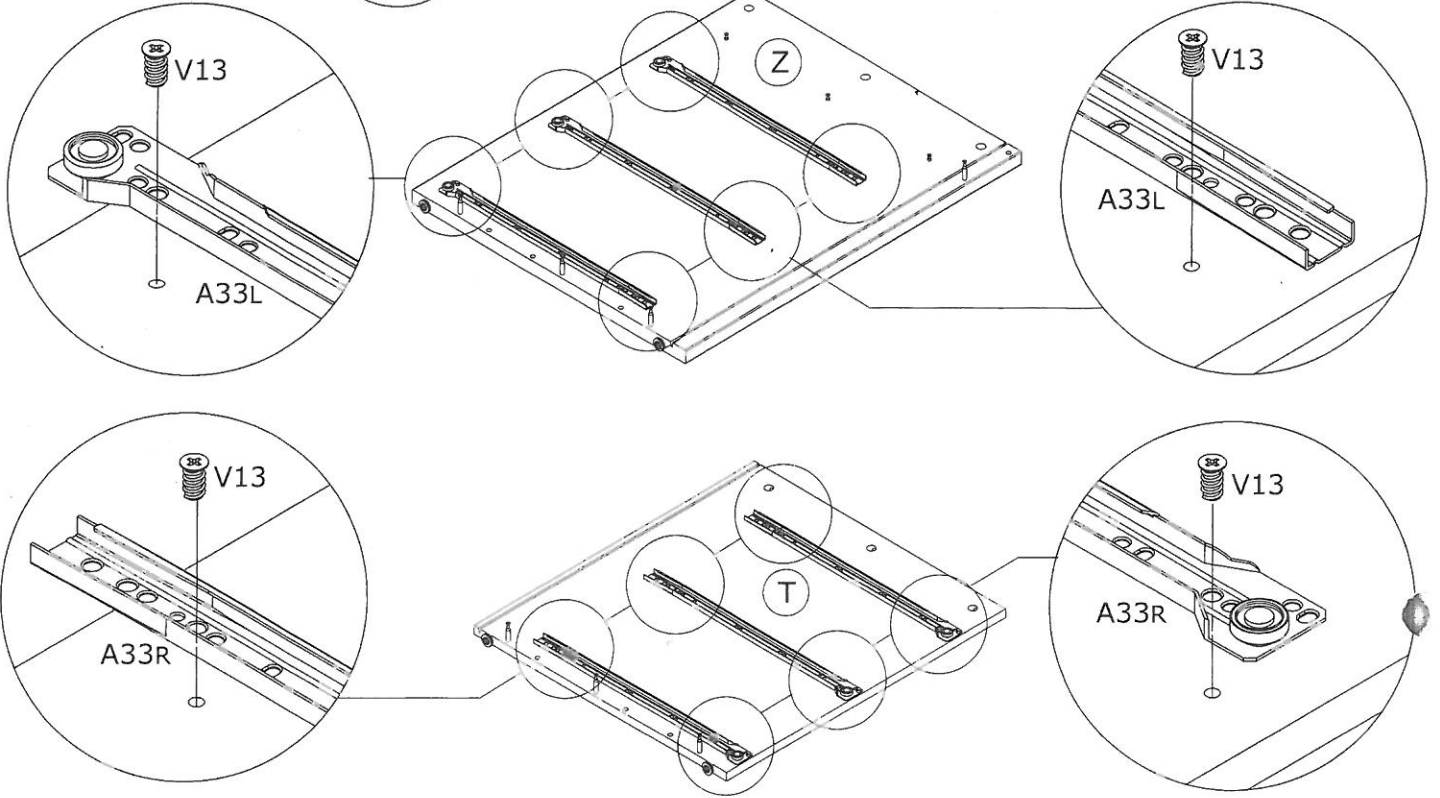


8



9

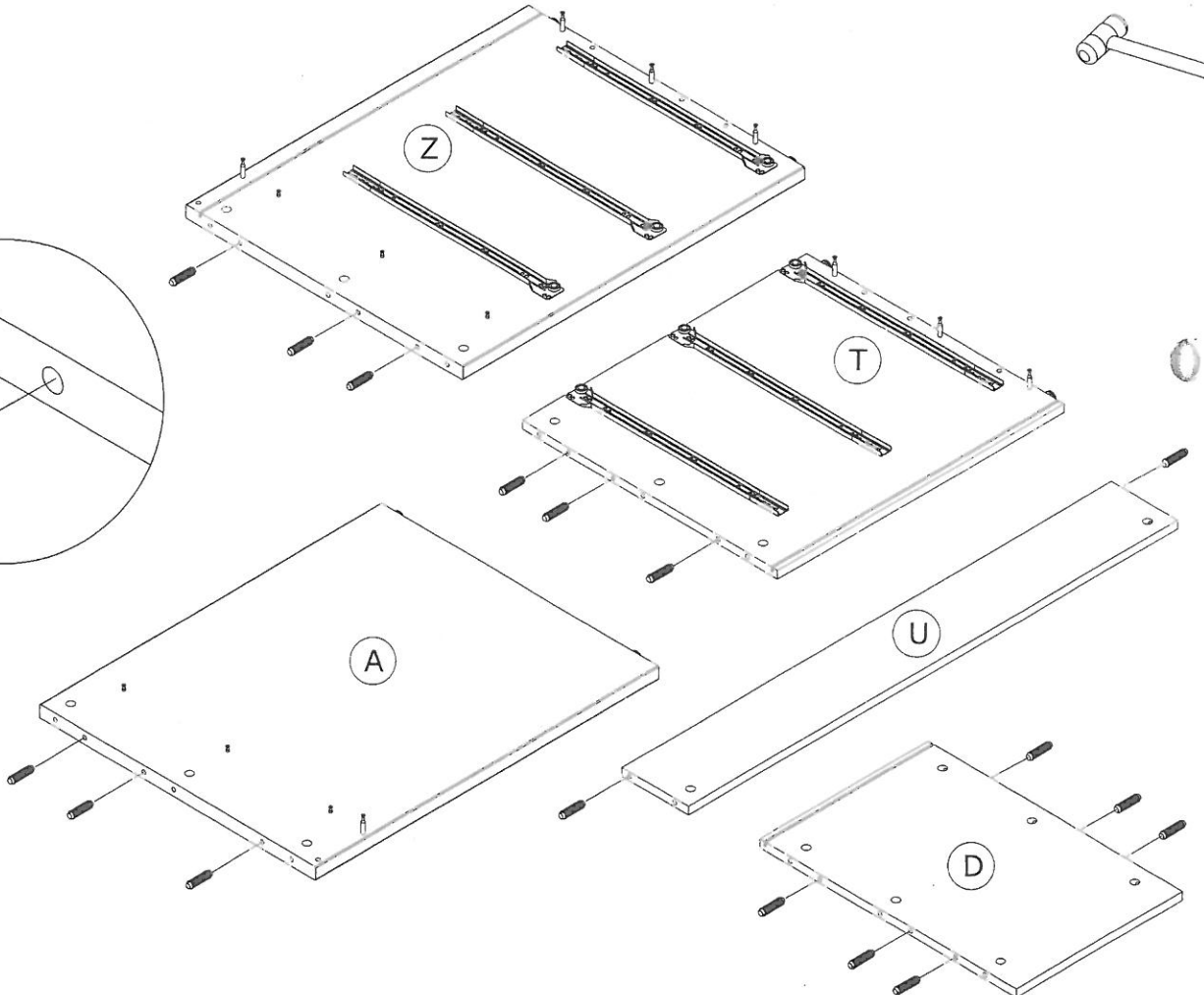
12x



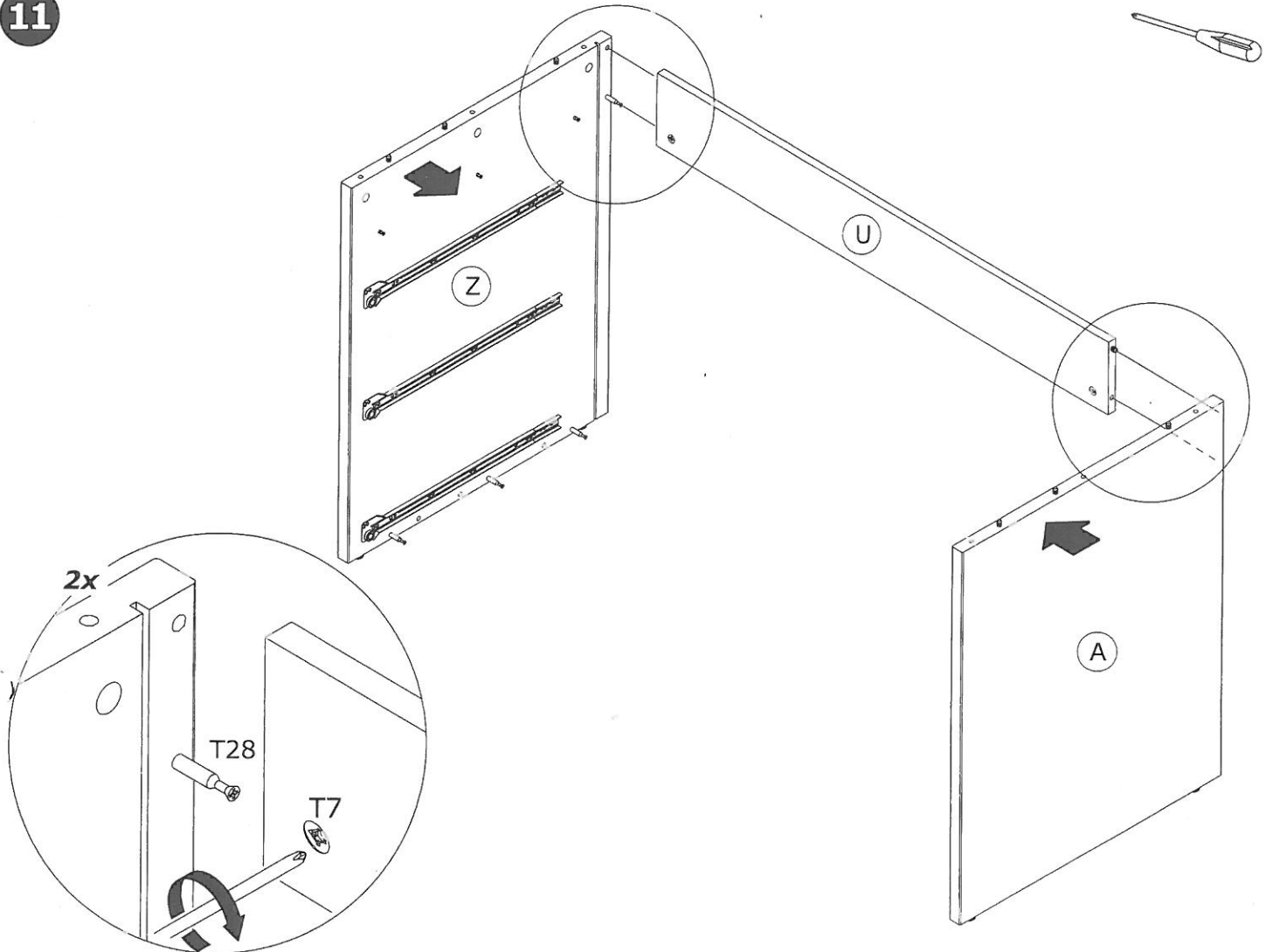
10

17x

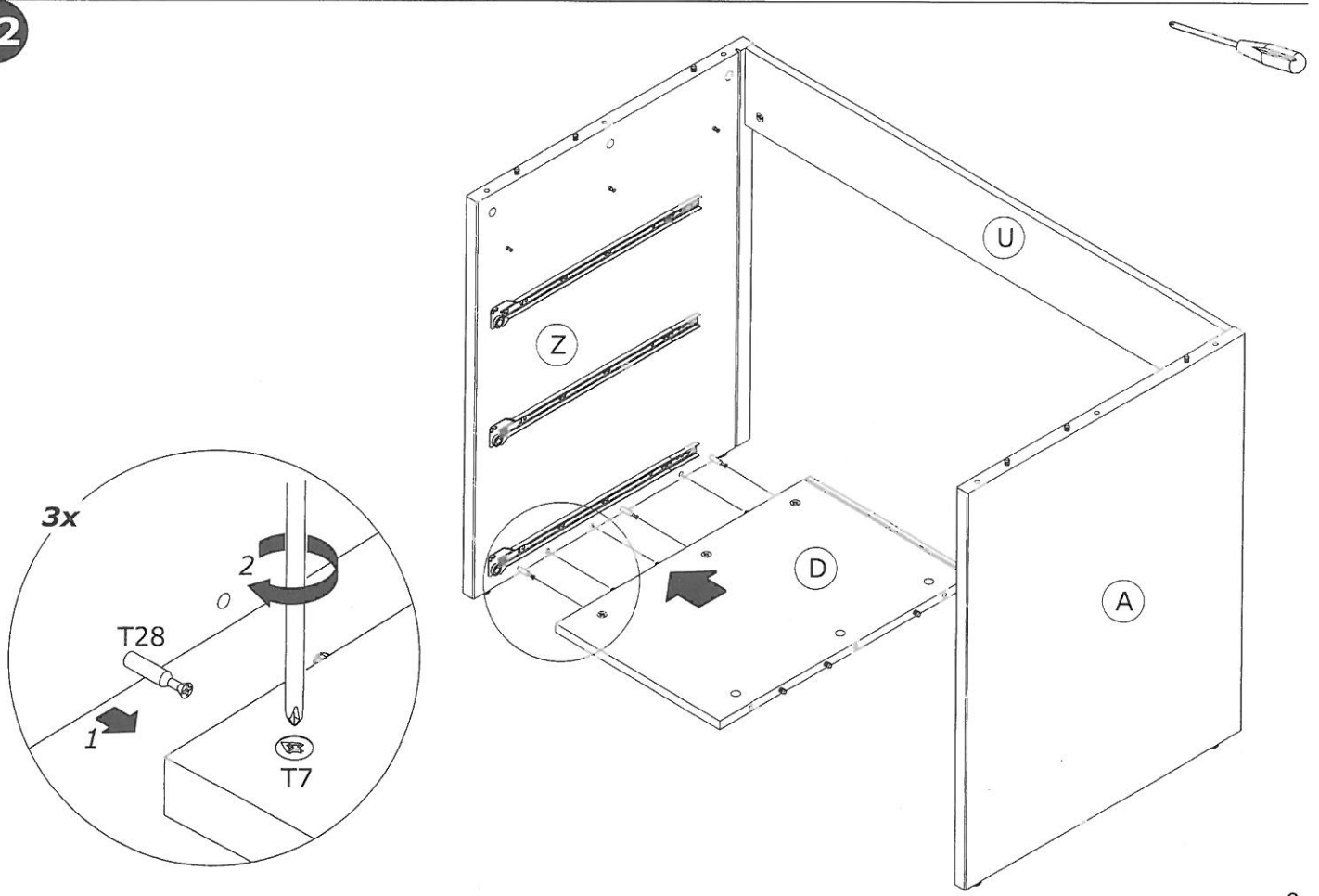
H1



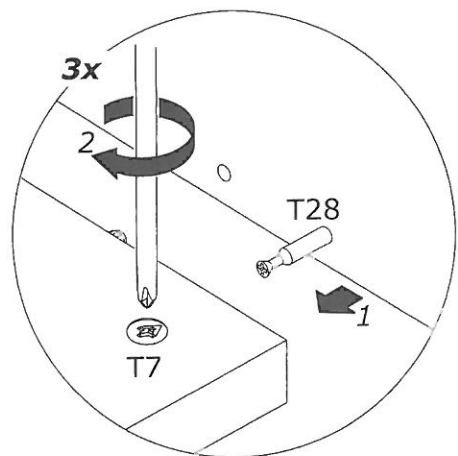
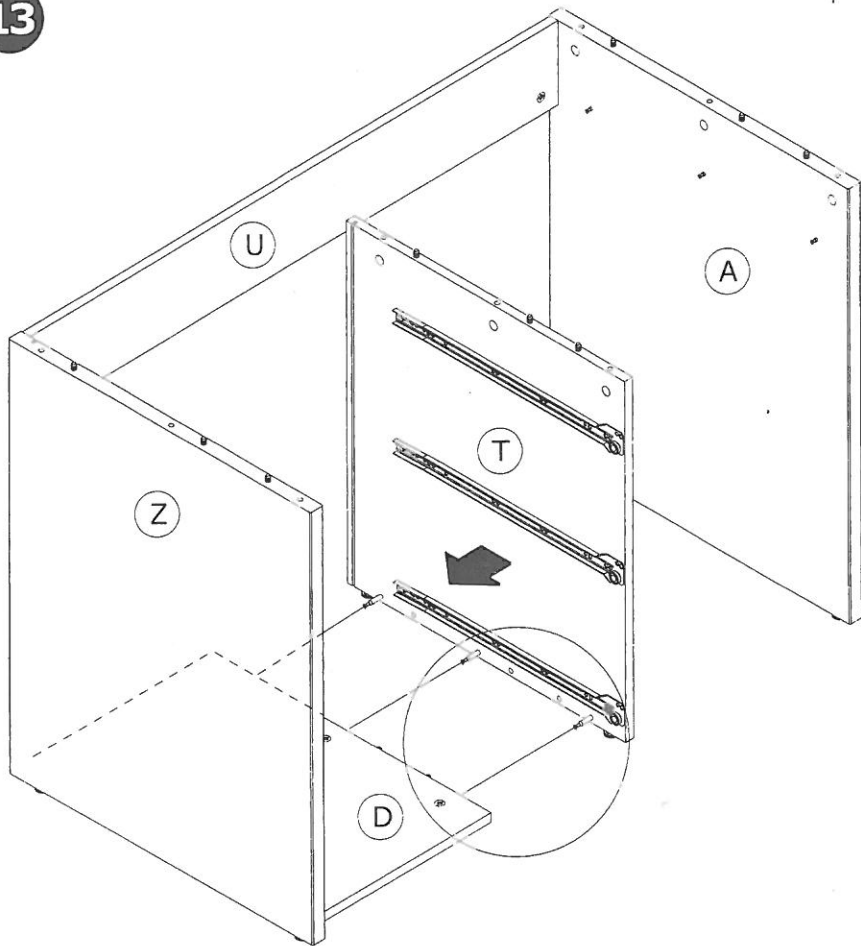
11



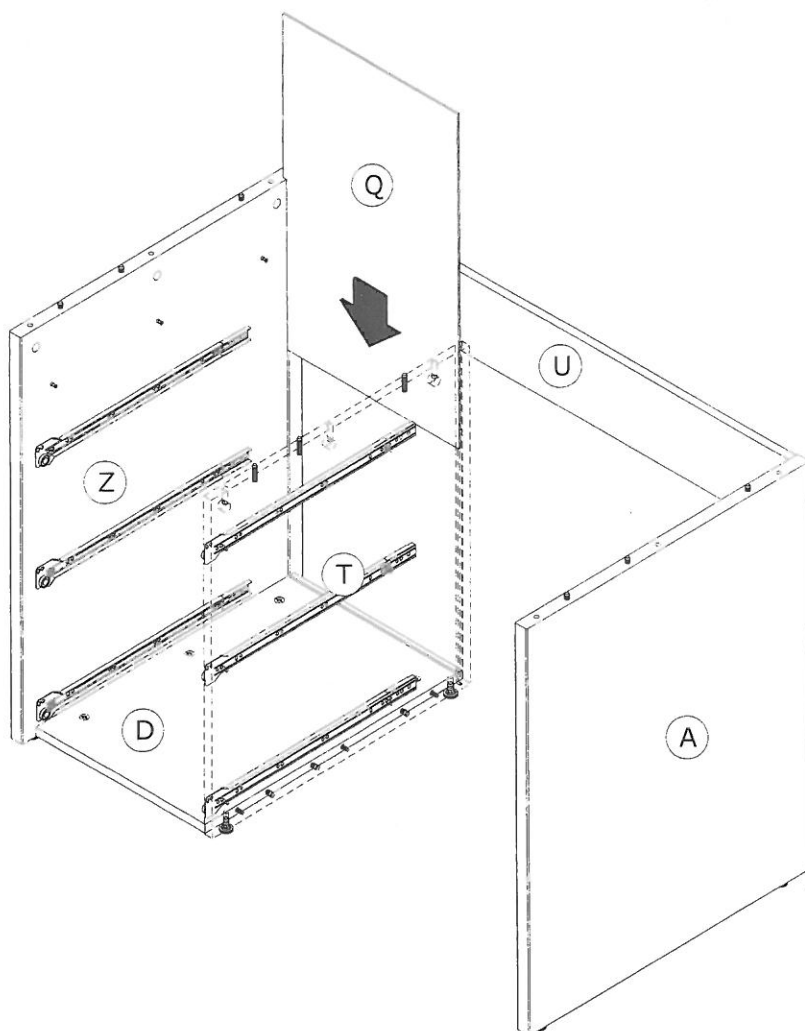
12



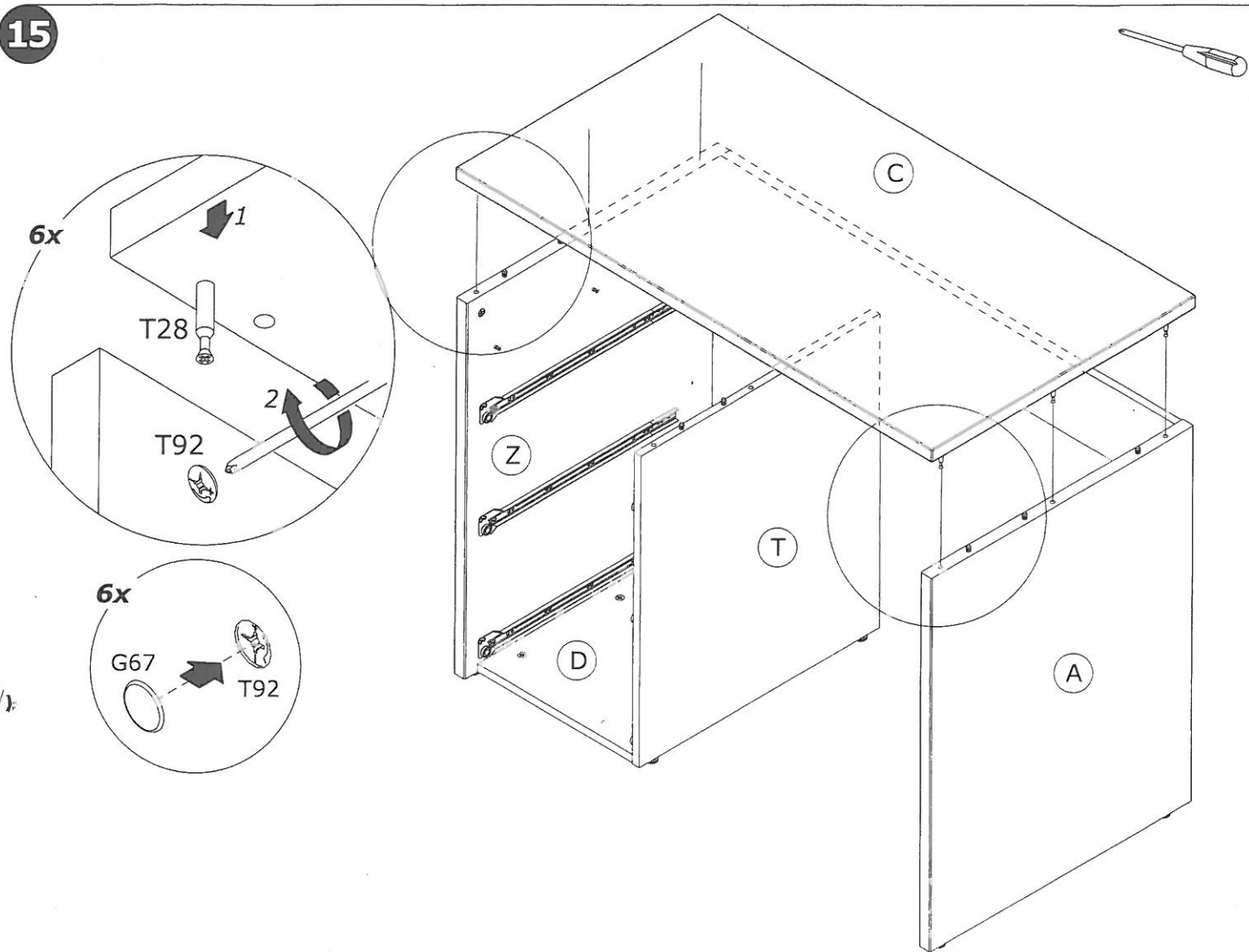
13



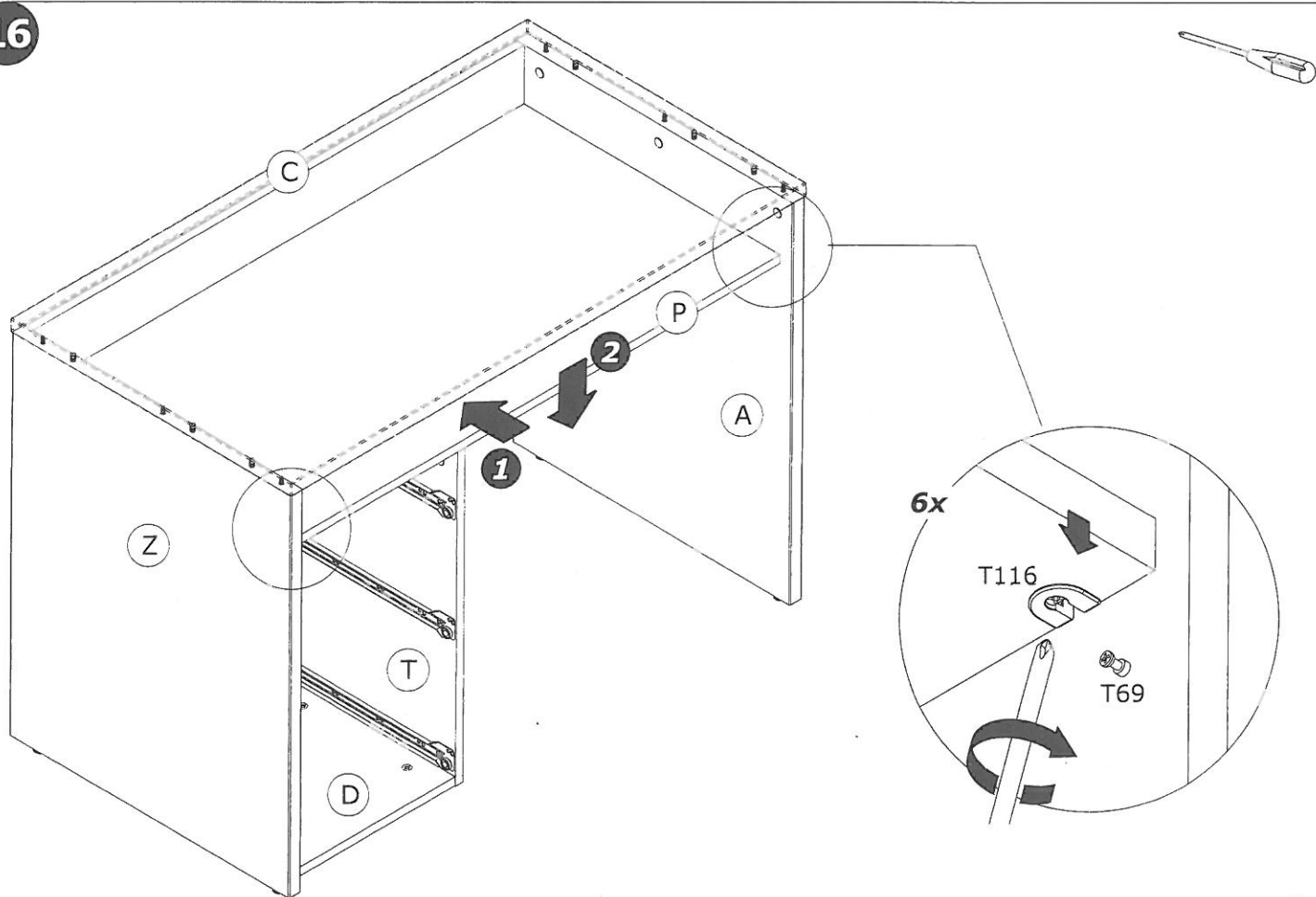
14



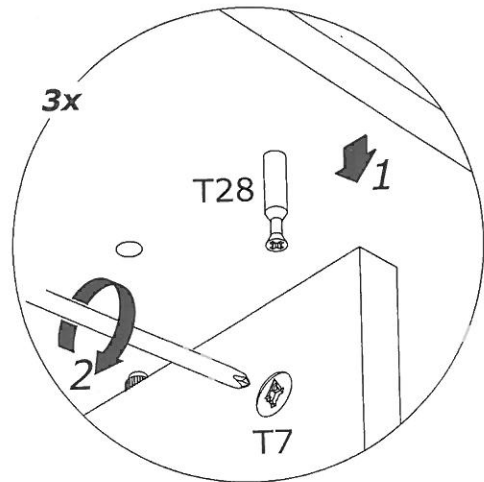
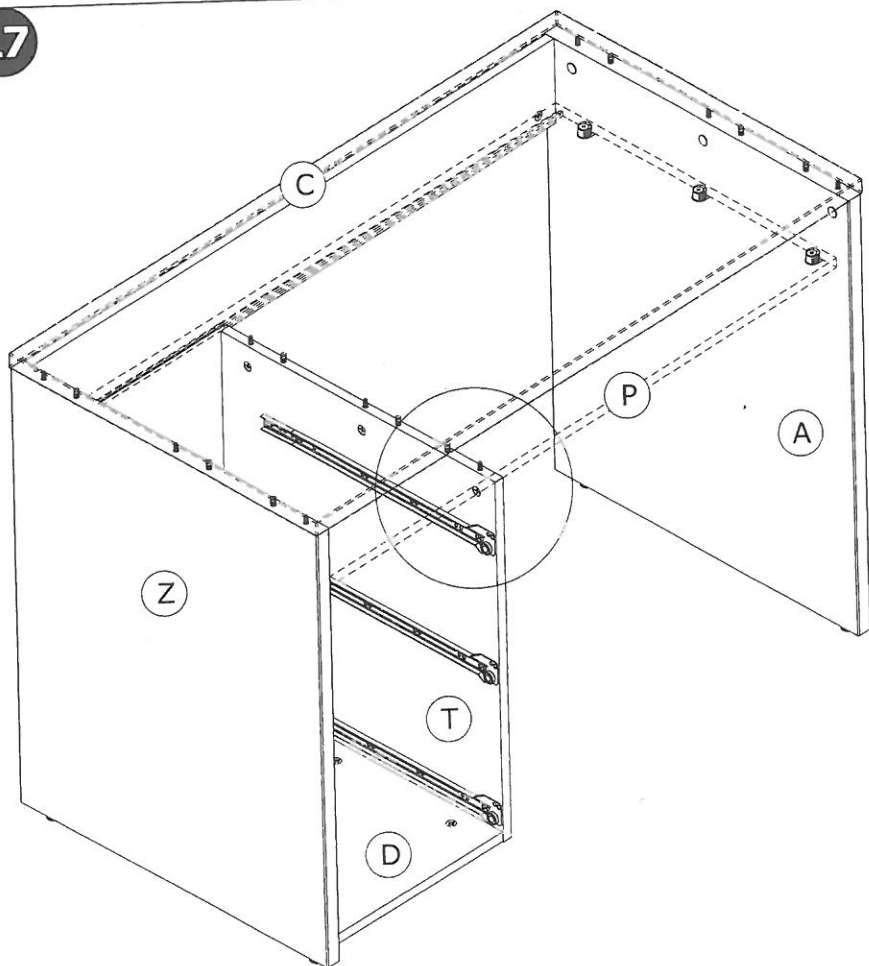
15



16



17



18

