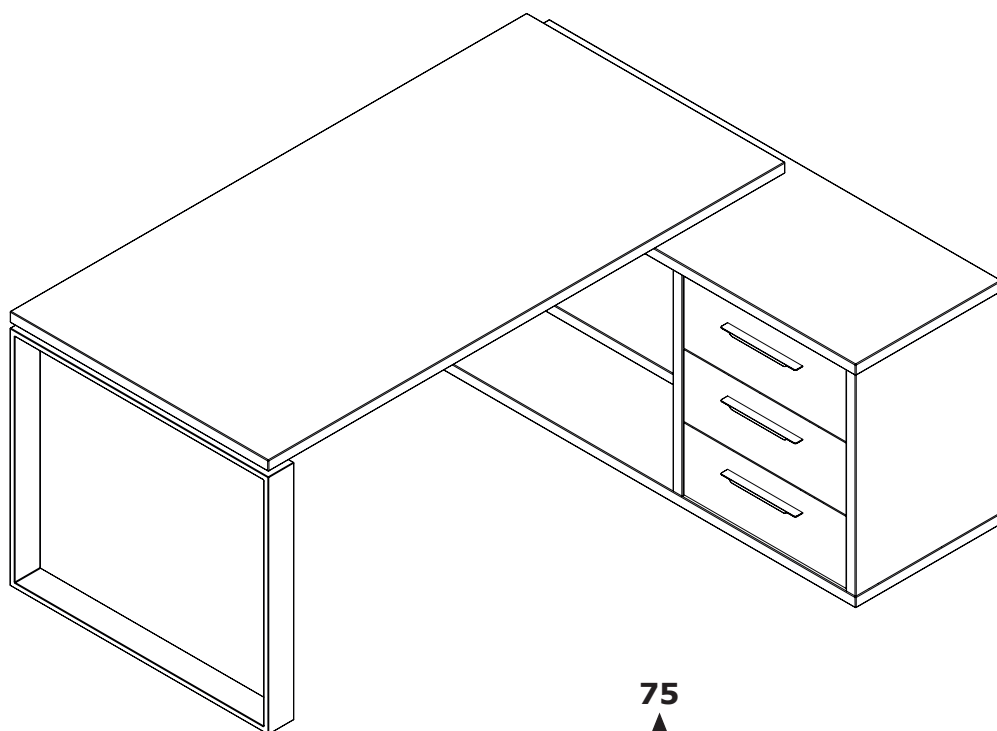
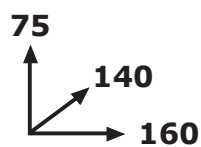


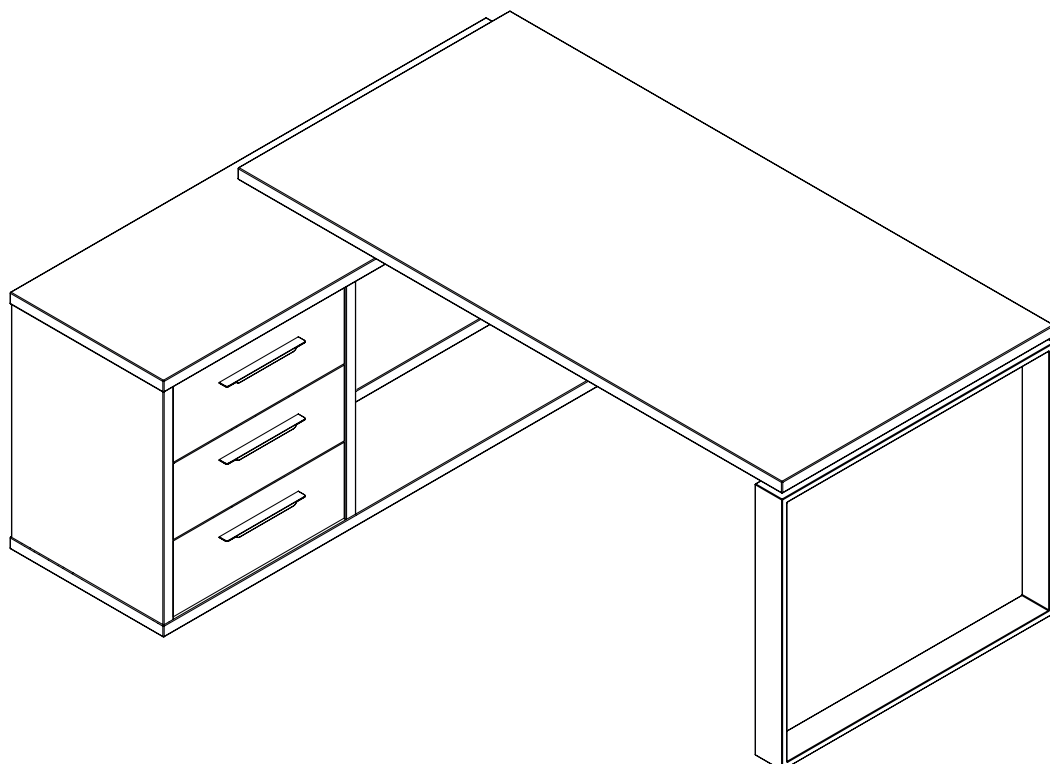
# SR0768K56104

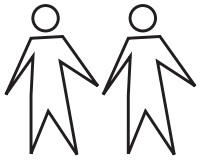


**A**

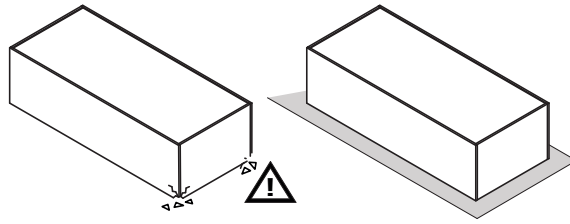
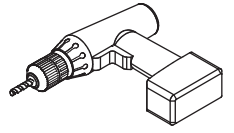
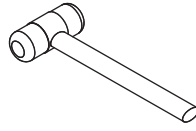
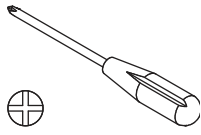


**B**

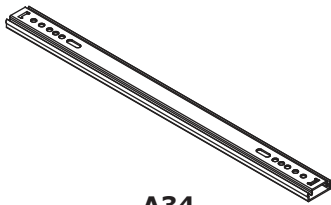




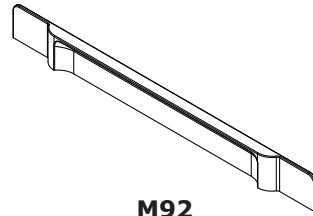
2h



### BU3510



**A34**  
x6



**M92**  
x3

### BU3642



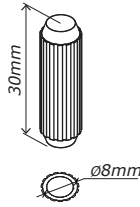
**H54**  
x12



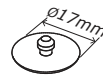
**V5**  
x12



**V32**  
x6



**H1**  
x20



**G67**  
x4



**R40**  
x4



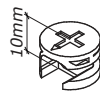
**G128**  
x6



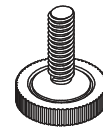
**T28**  
x18



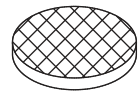
**T97**  
x12



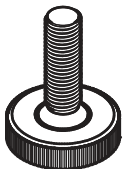
**T98**  
x6



**P34**  
x2



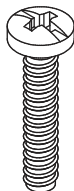
**H139**  
x2



**P14**  
x6



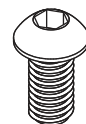
**H118**  
x6



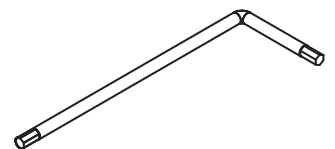
**V118**  
x4



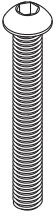
**V38**  
x6



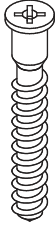
**V143**  
x2



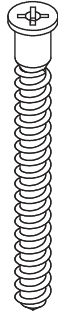
**H138**  
x1



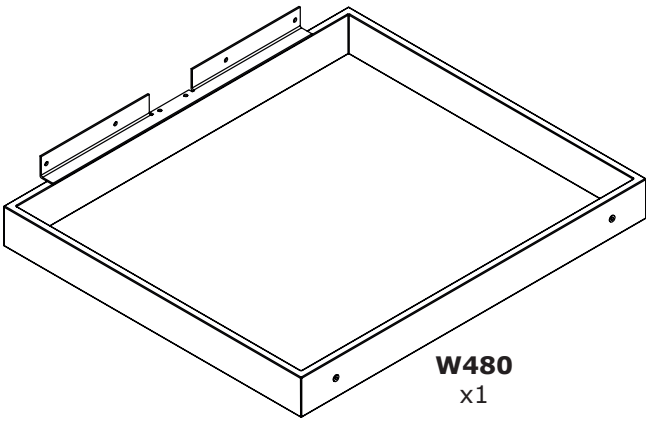
**V153**  
x2



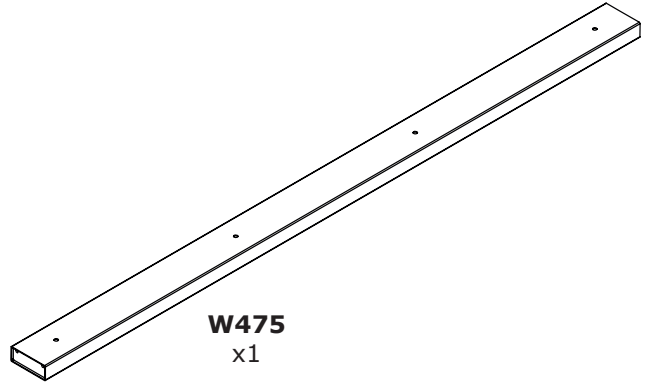
**V45**  
x4



**V115**  
x4

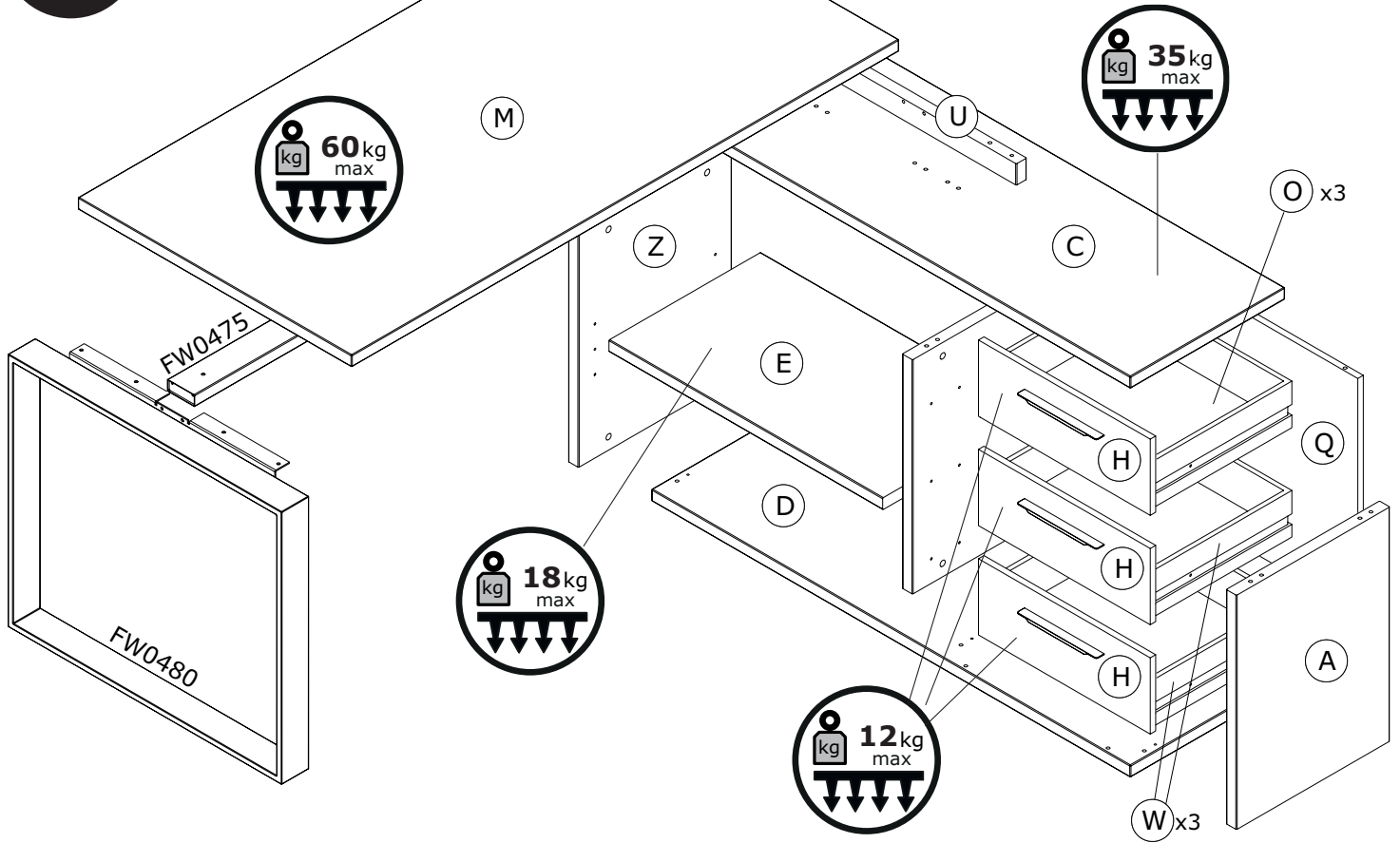


**W480**  
x1

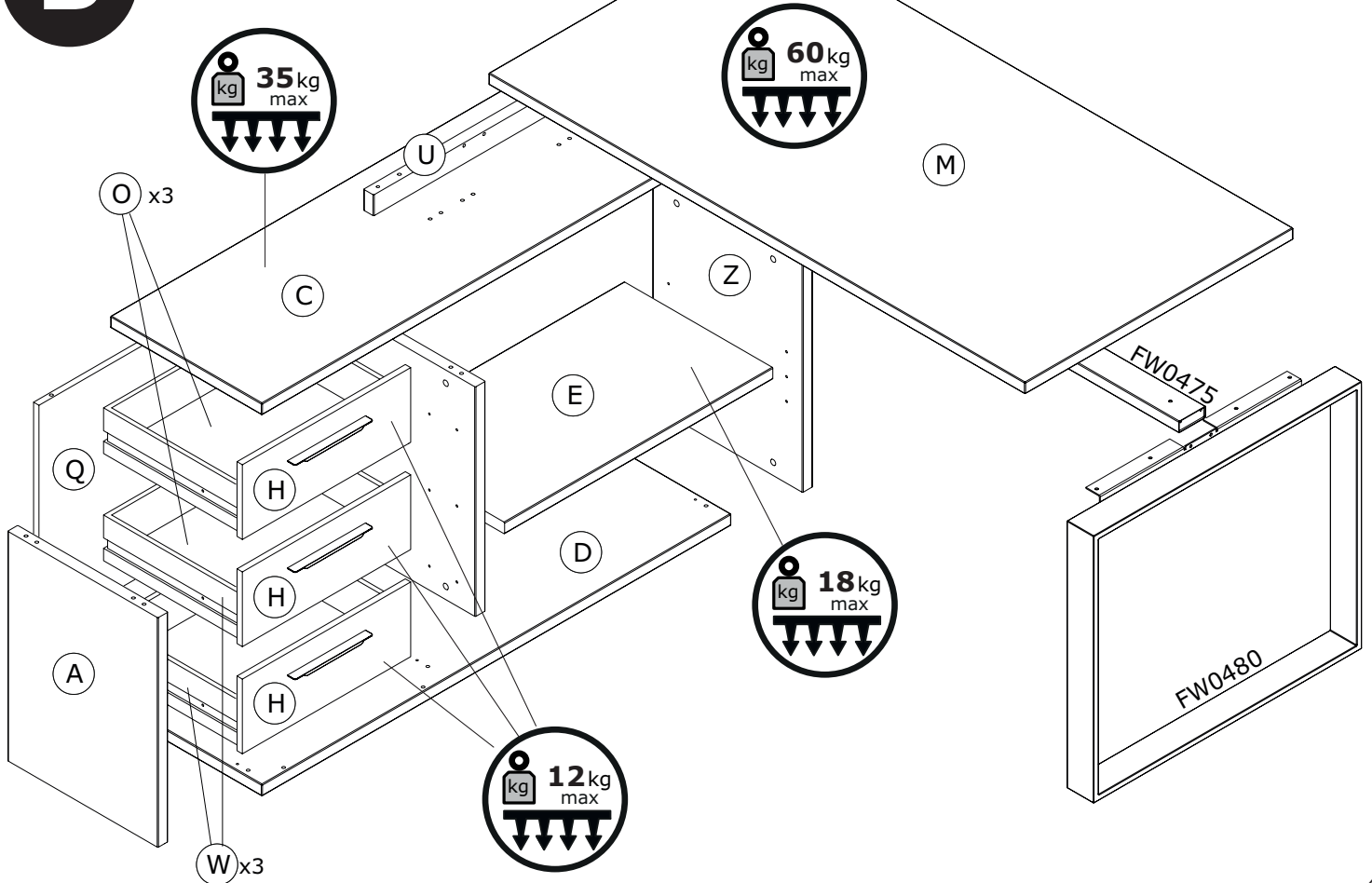


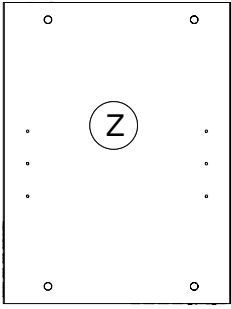
**W475**  
x1

# A

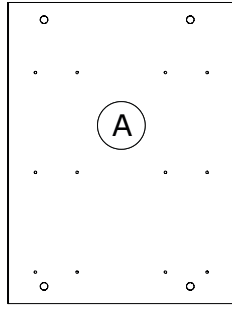


# B

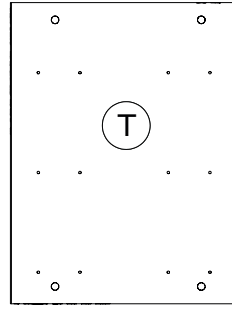




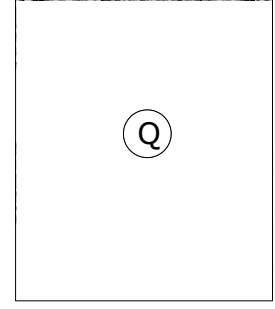
**F17840**  
593x448x30mm



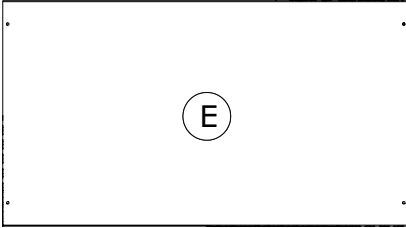
**F17839**  
593x448x30mm



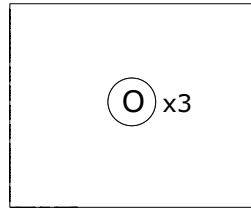
**TR1964**  
593x448x30mm



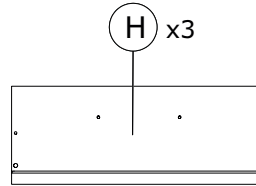
**SH2992**  
593x506x16mm



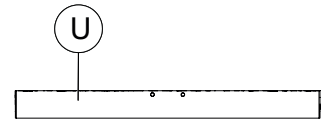
**PI6736**  
800x444x30mm



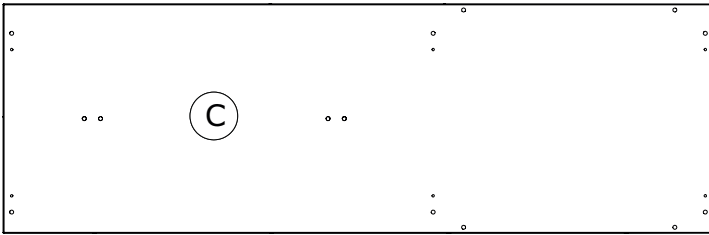
**SH2944**  
485x401x3mm



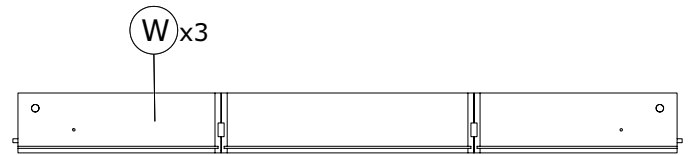
**CS2817**  
502x193x16mm



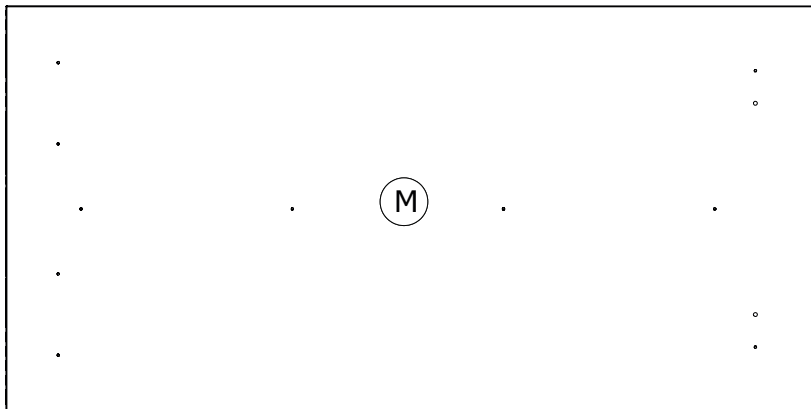
**FS2901**  
542x600x30mm



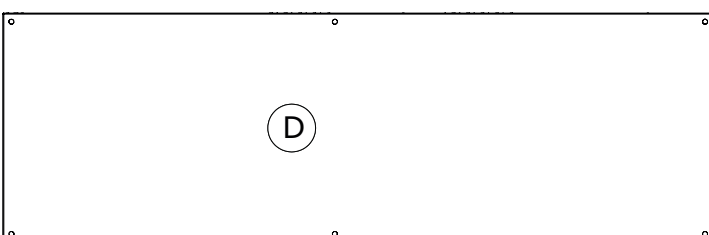
**CA3220**  
1400x452x30mm



**OF0412**  
400x498x400mm H.118mm

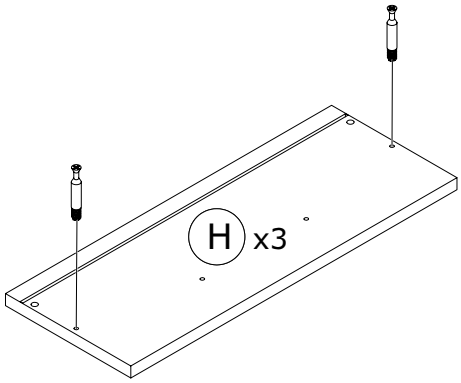
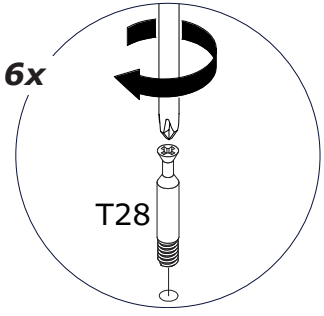
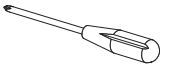


**CA3219**  
1600x800x30mm

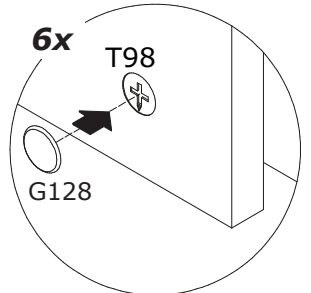
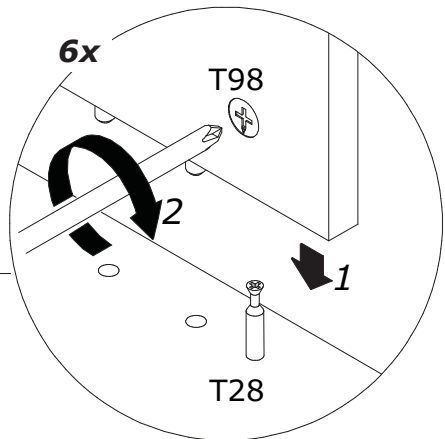
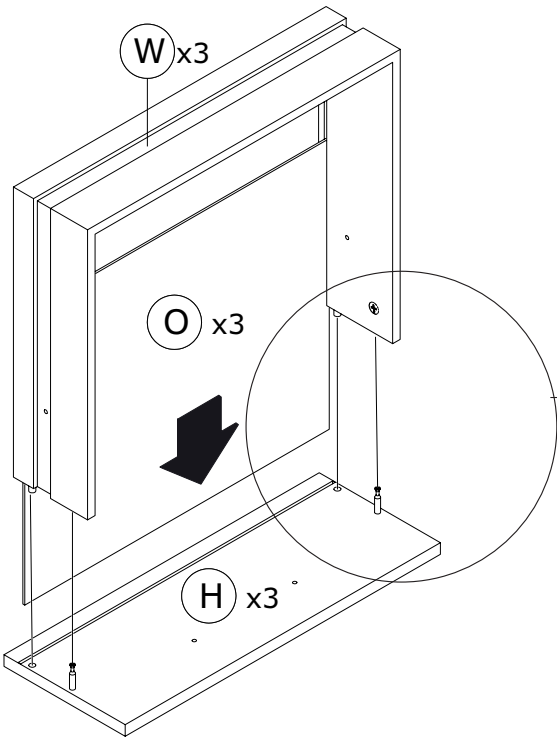
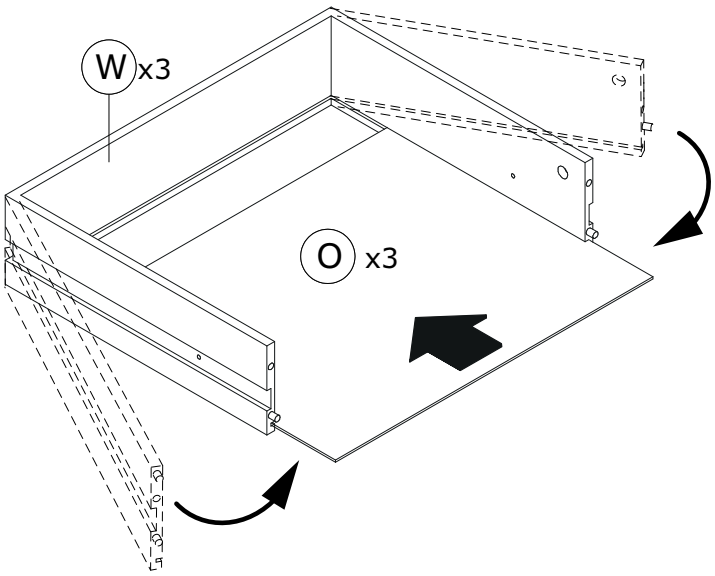
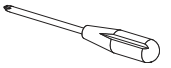


**BA1962**  
1400x452x30mm

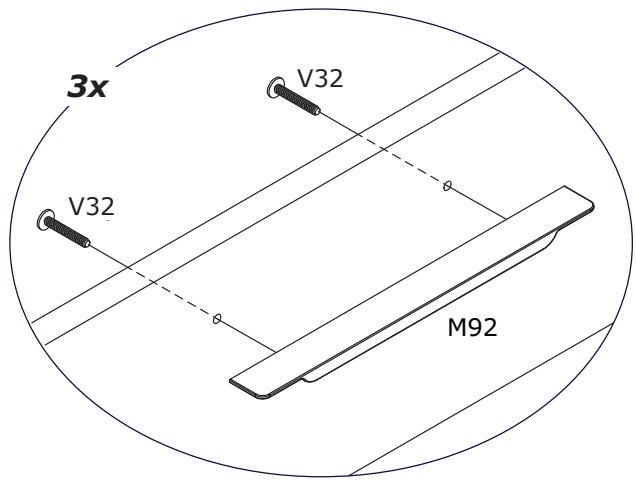
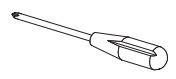
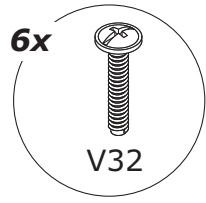
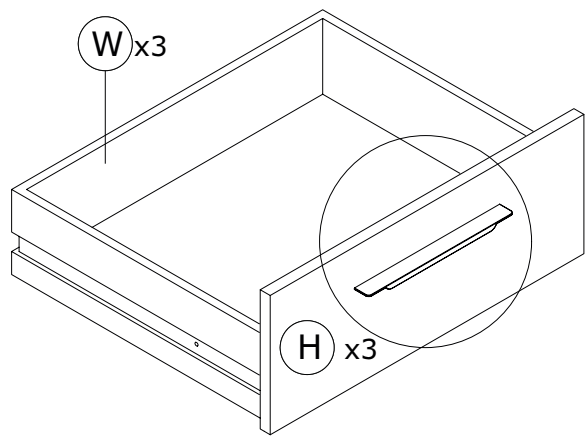
1



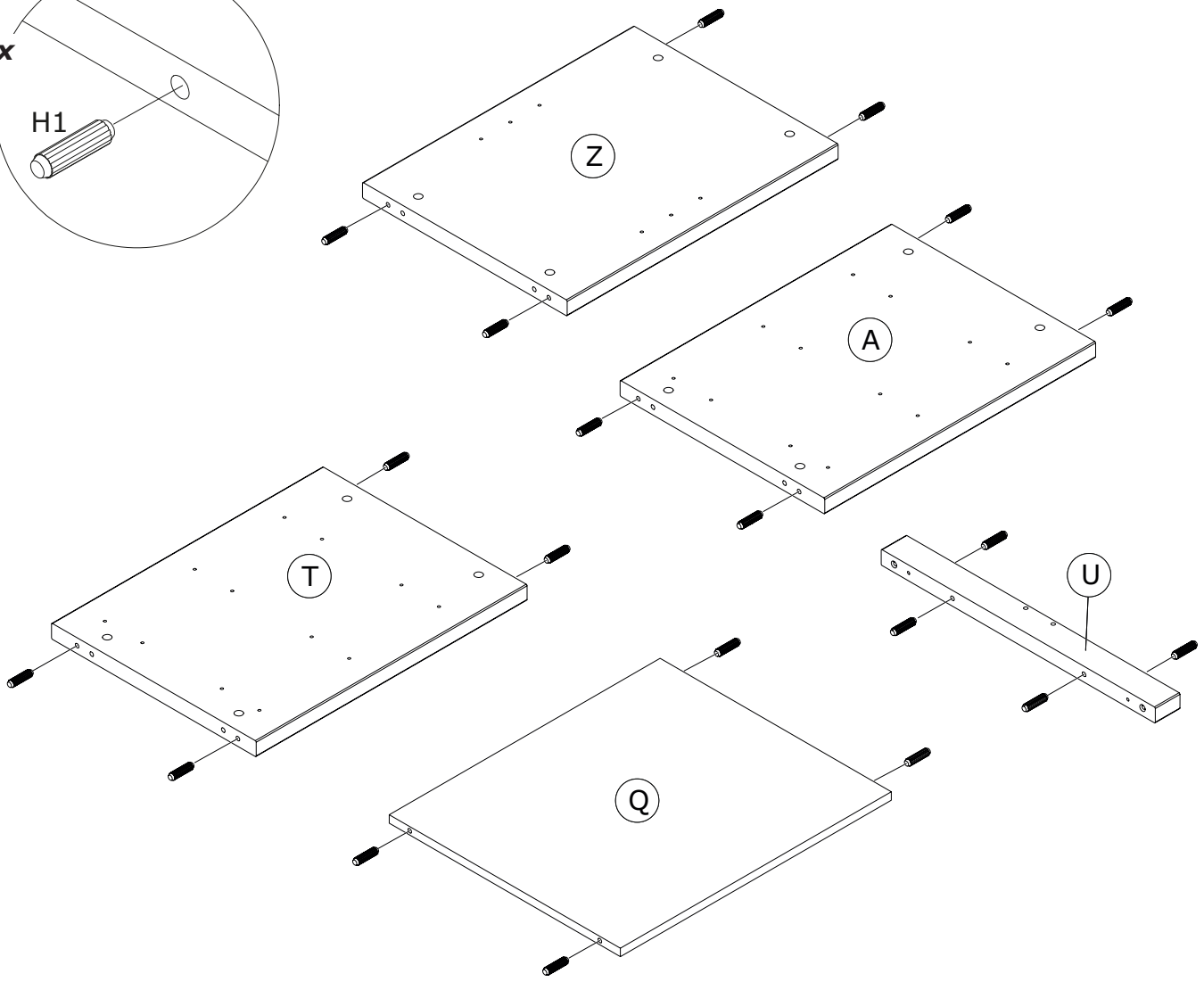
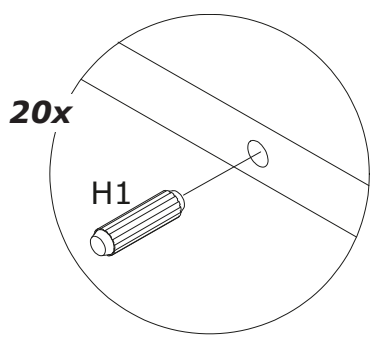
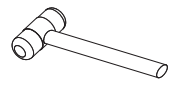
2



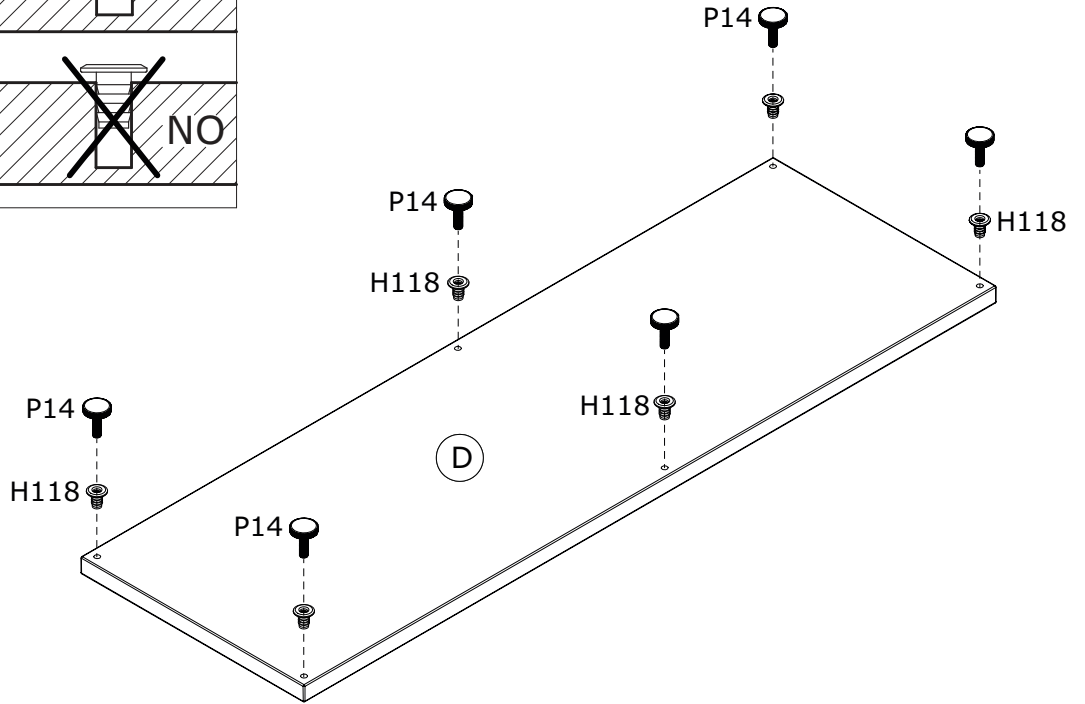
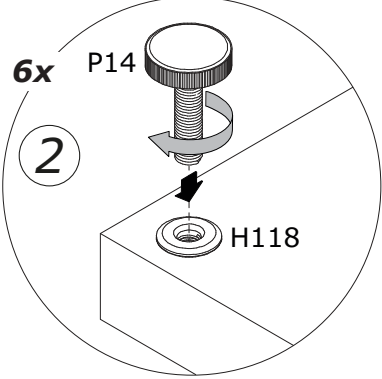
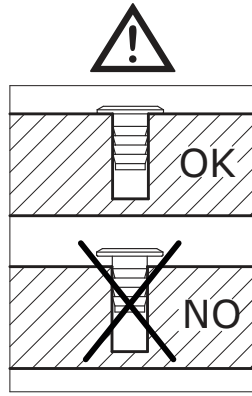
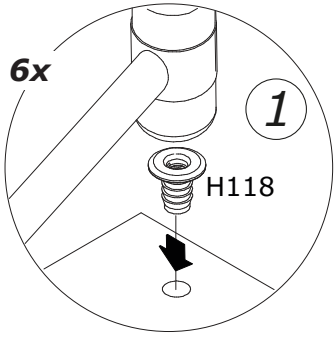
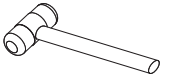
3



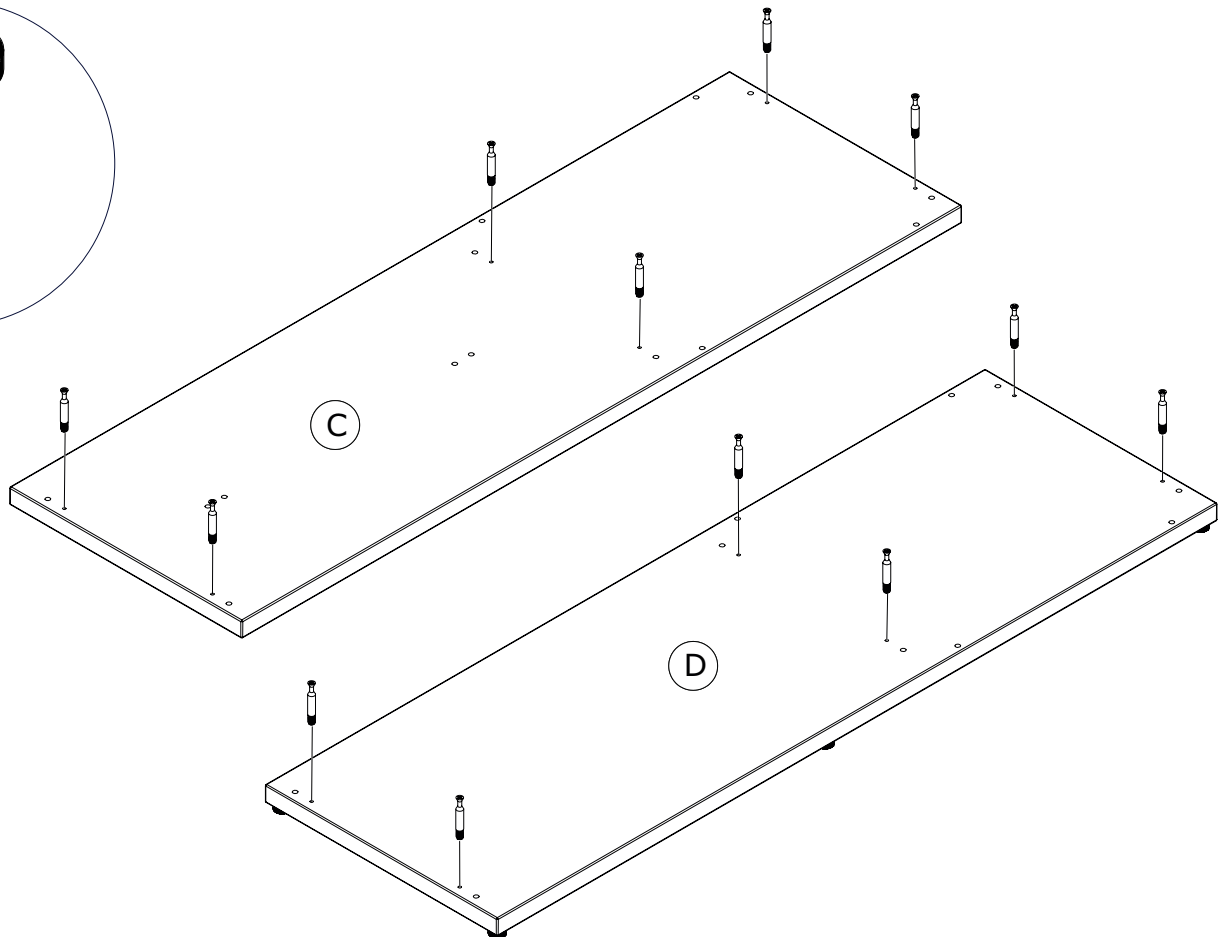
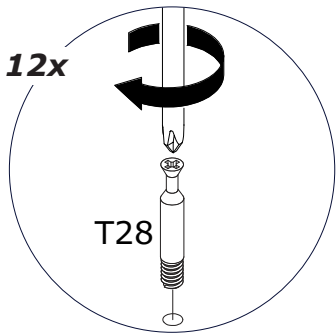
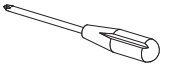
4



5

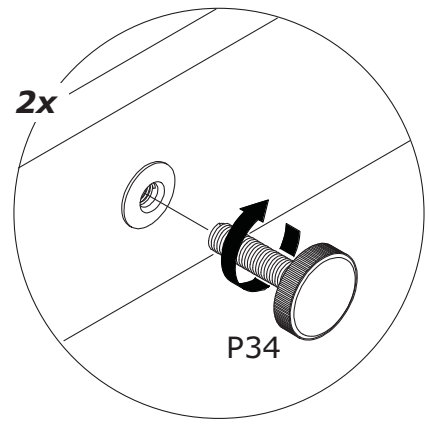
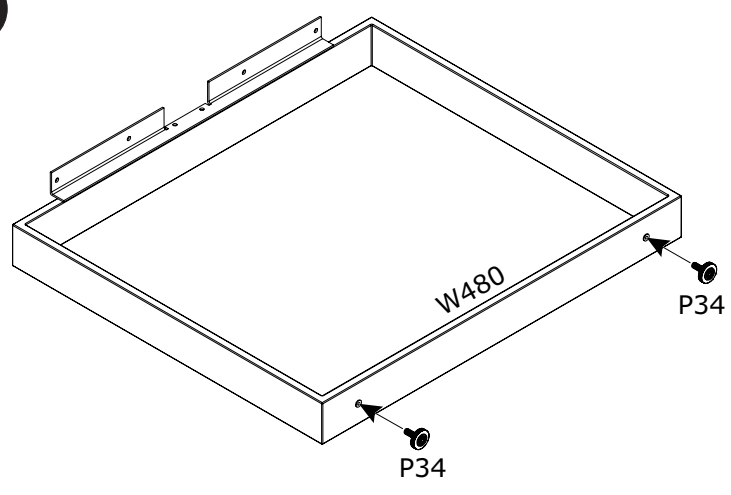


6

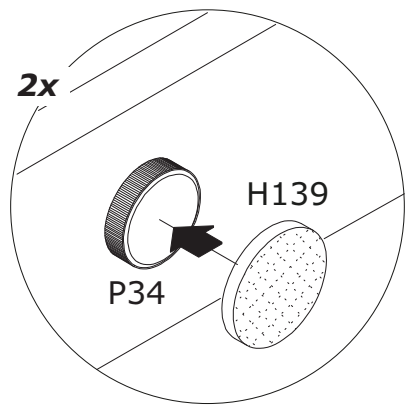
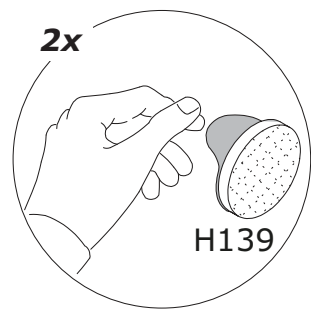
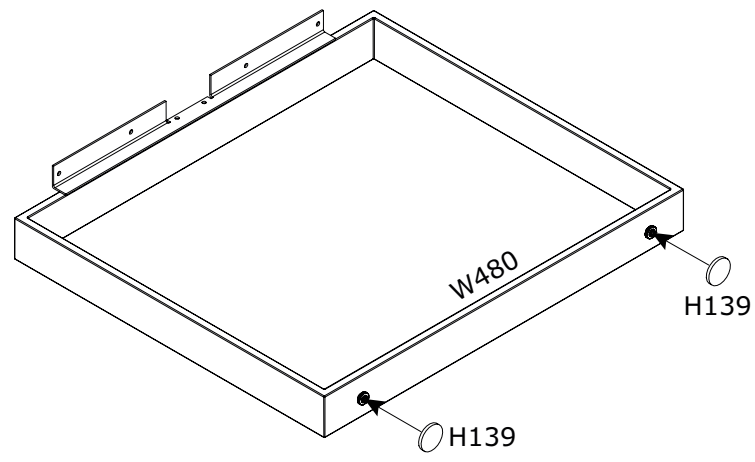




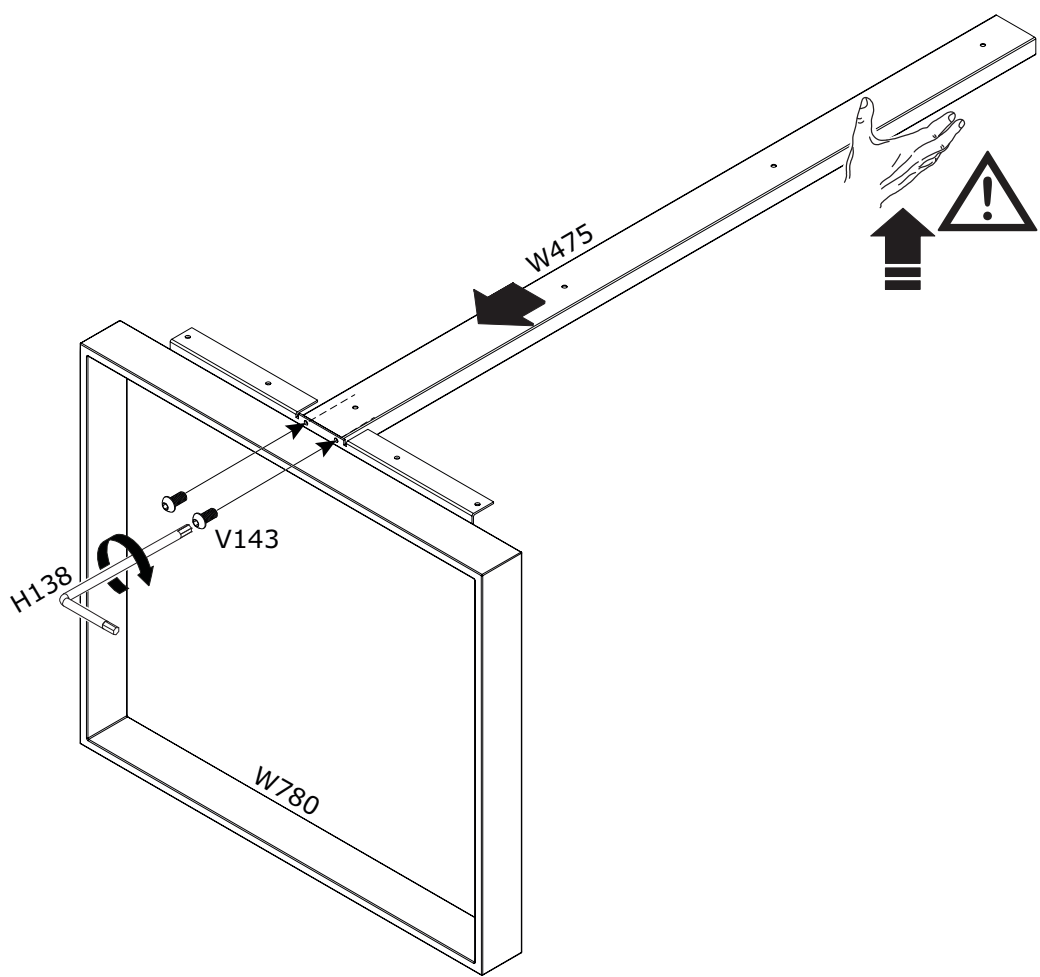
7



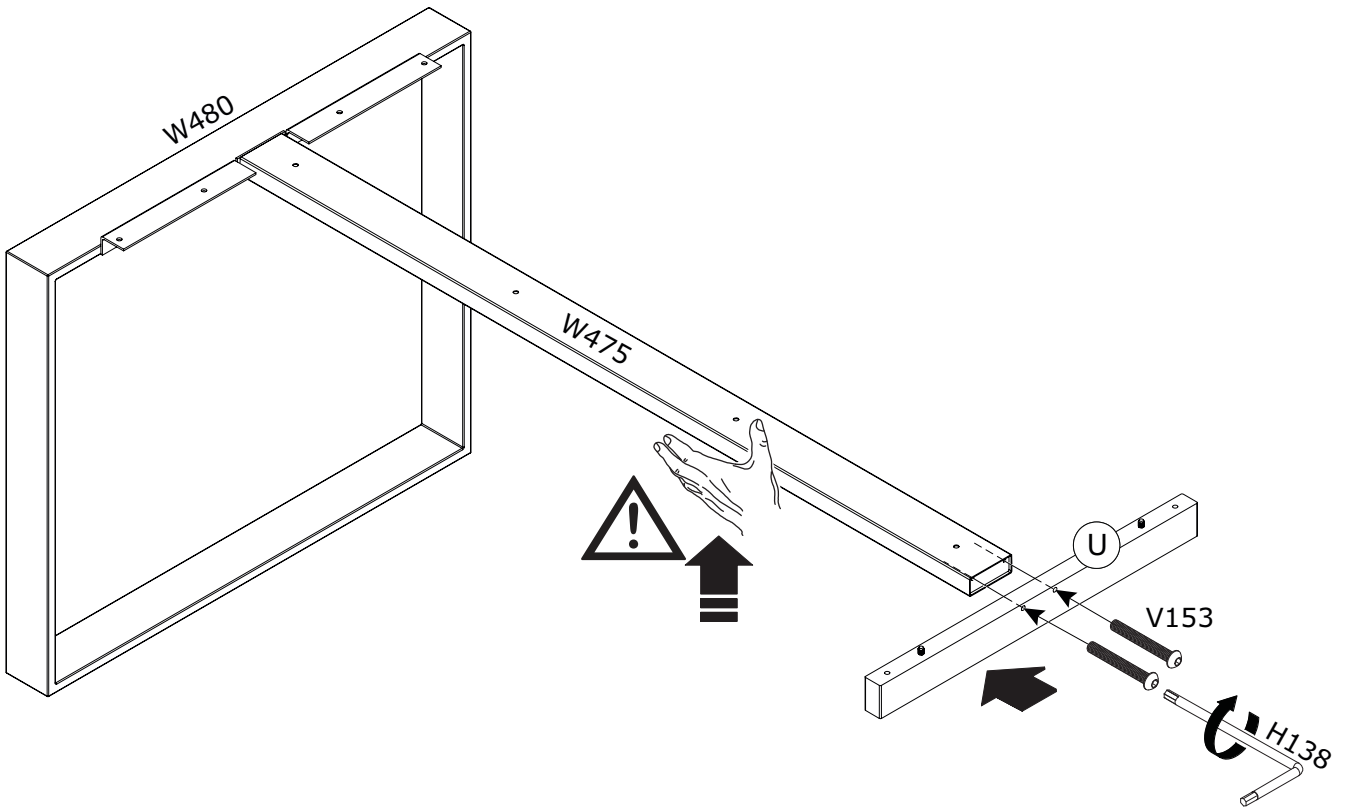
8



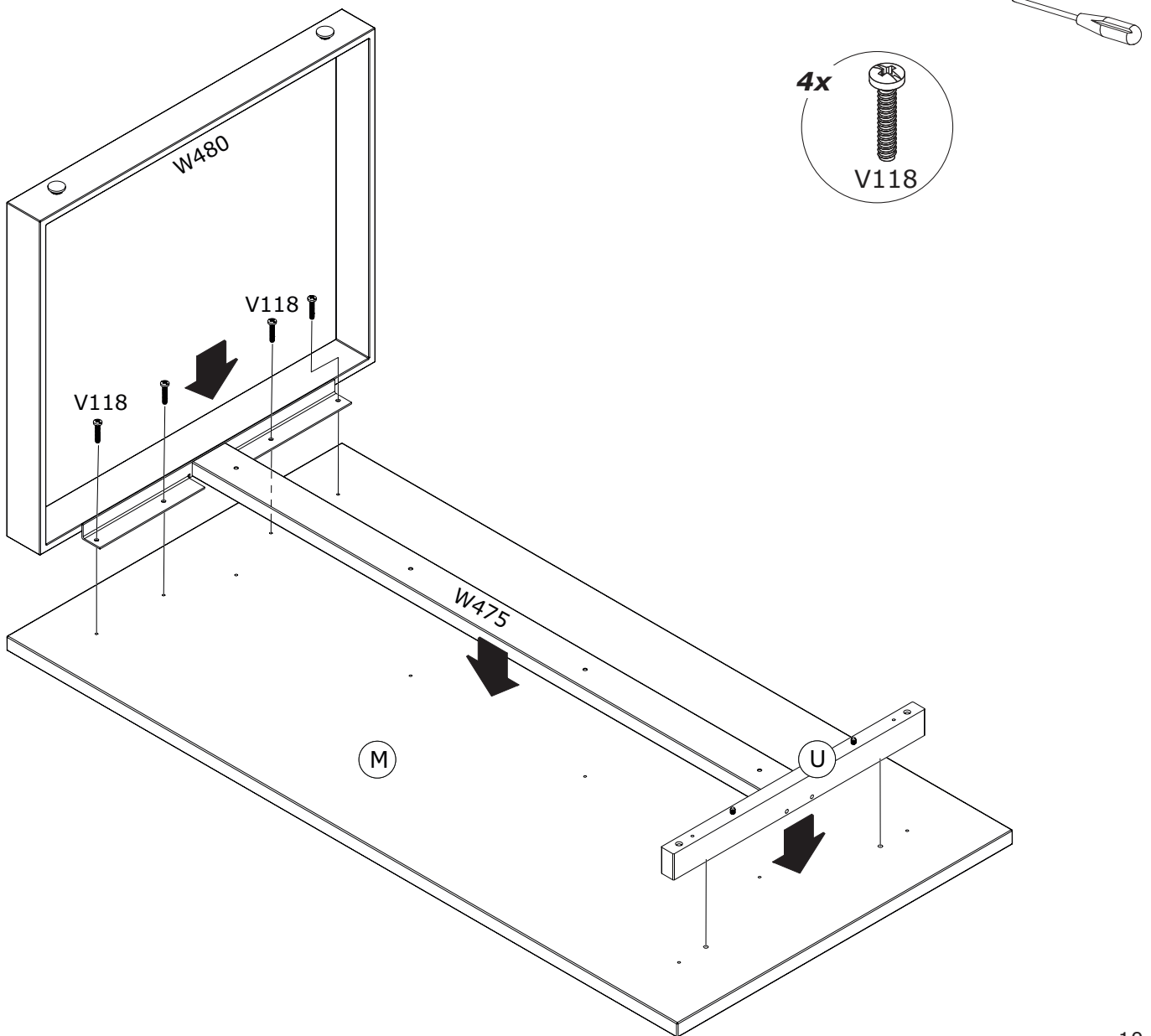
9

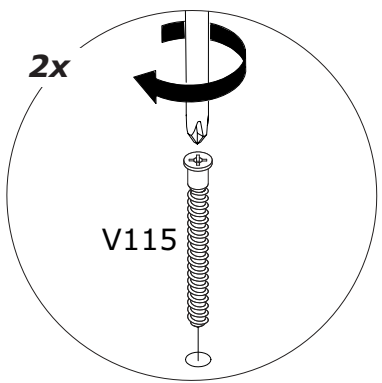
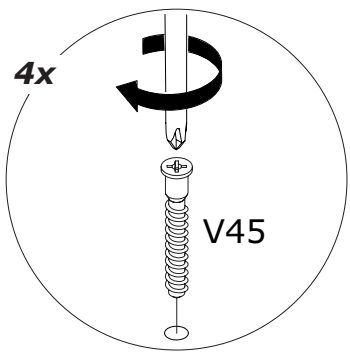
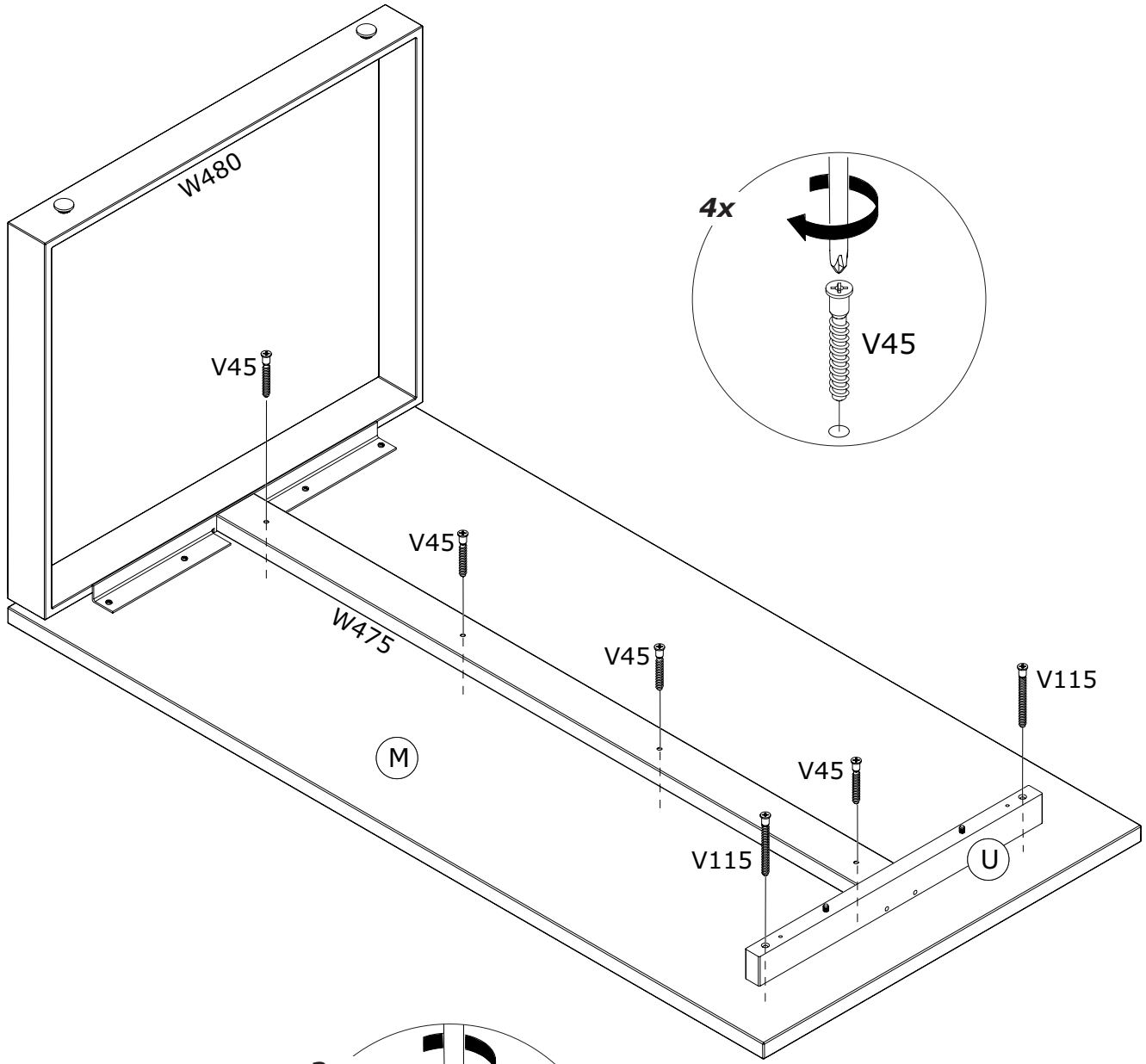
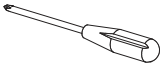


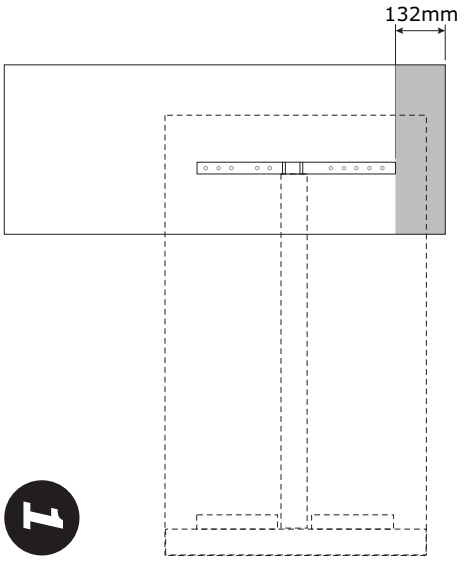
10



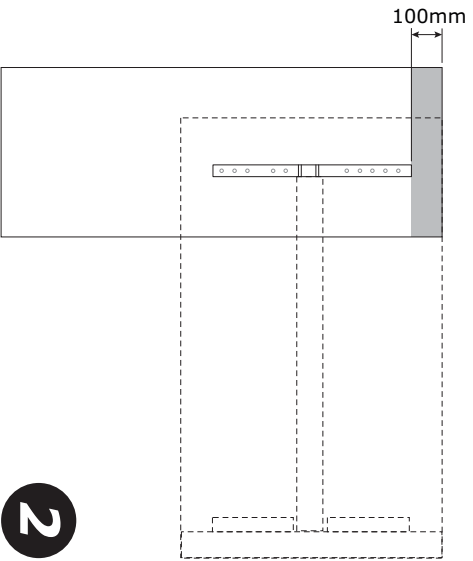
11



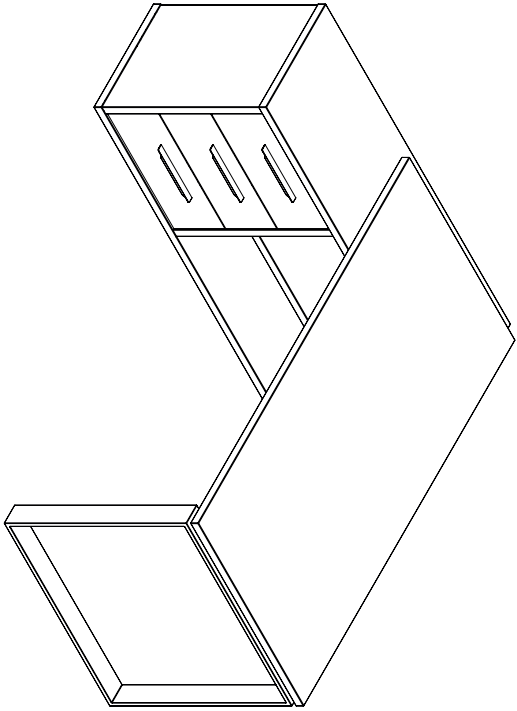




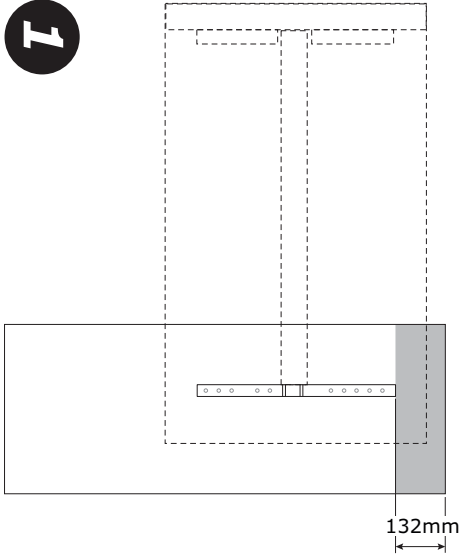
1



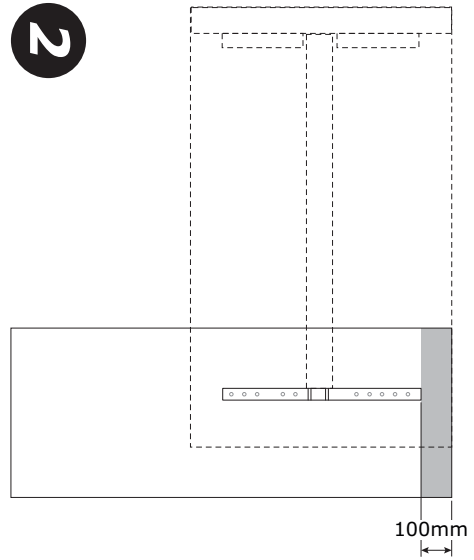
2



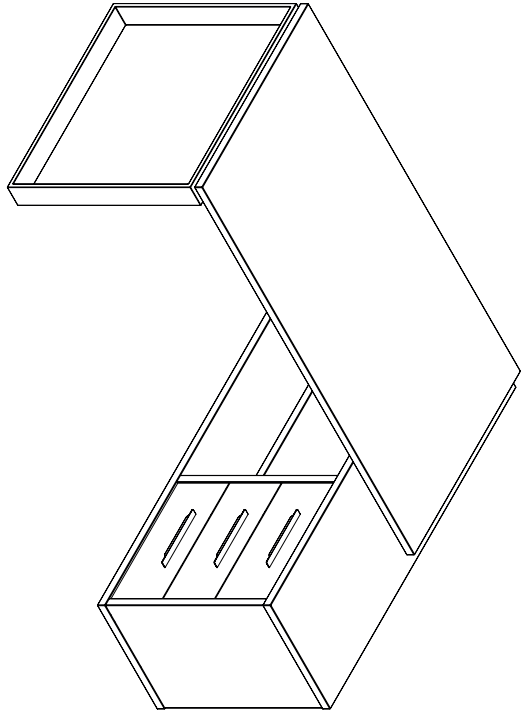
B



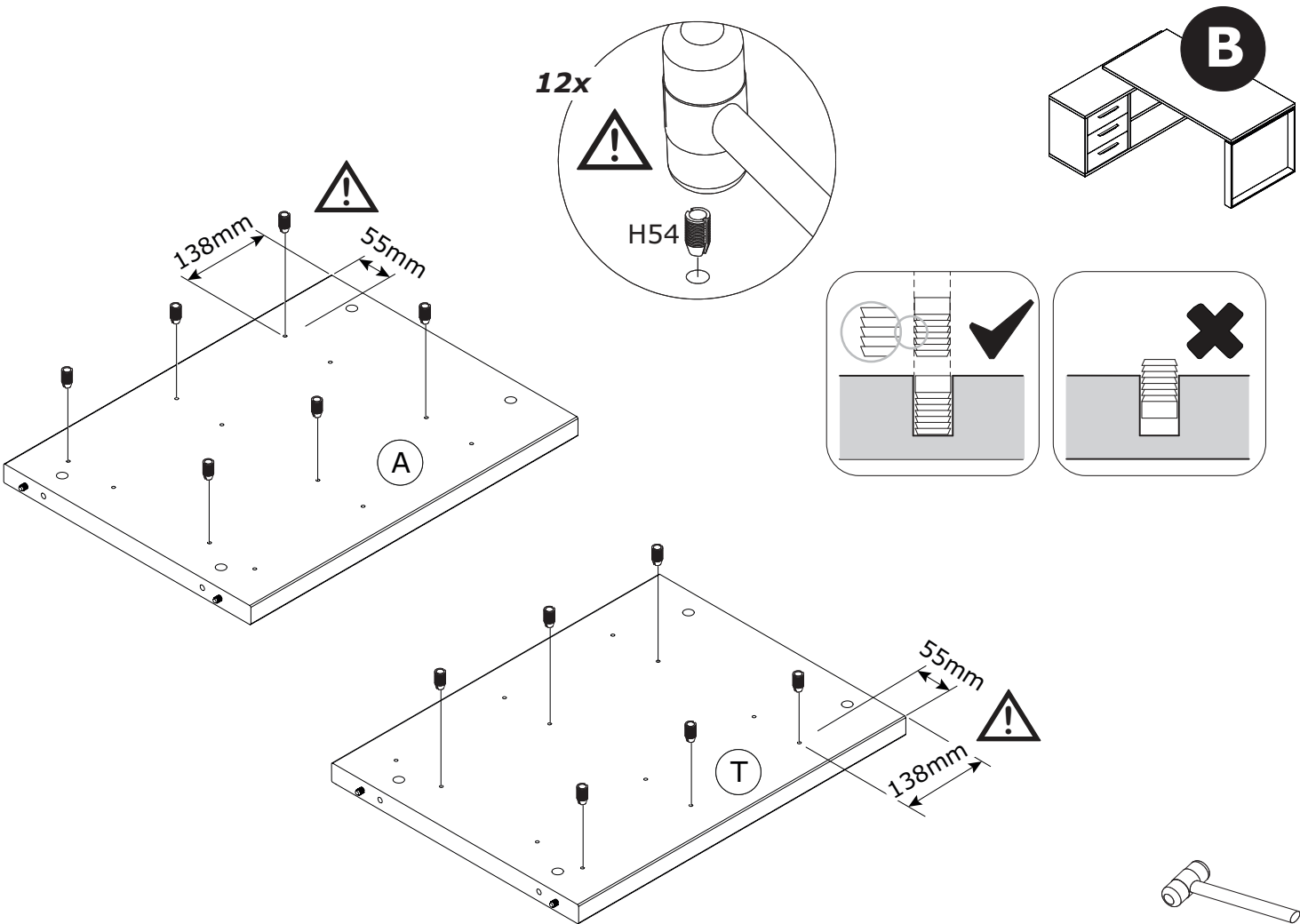
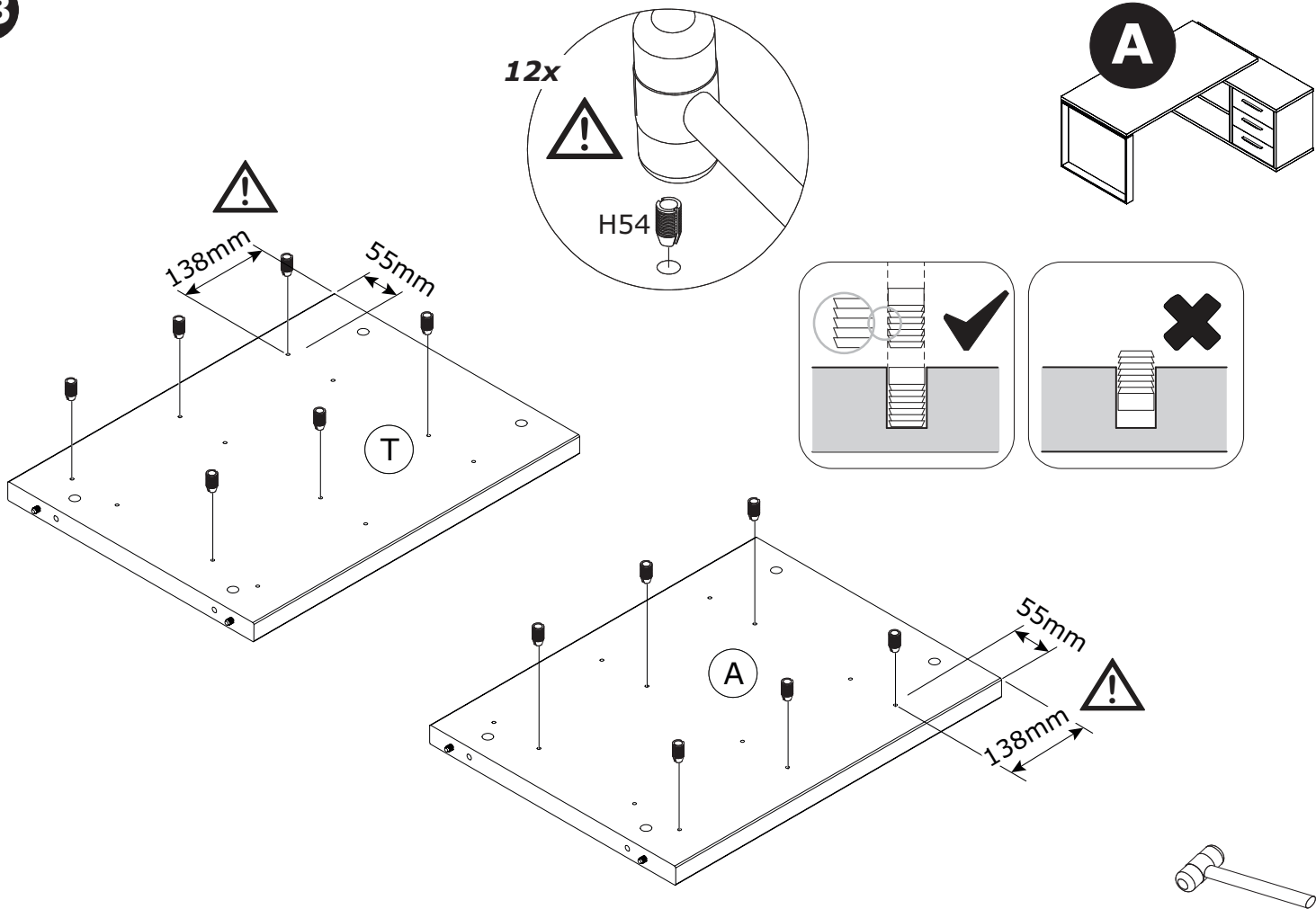
1

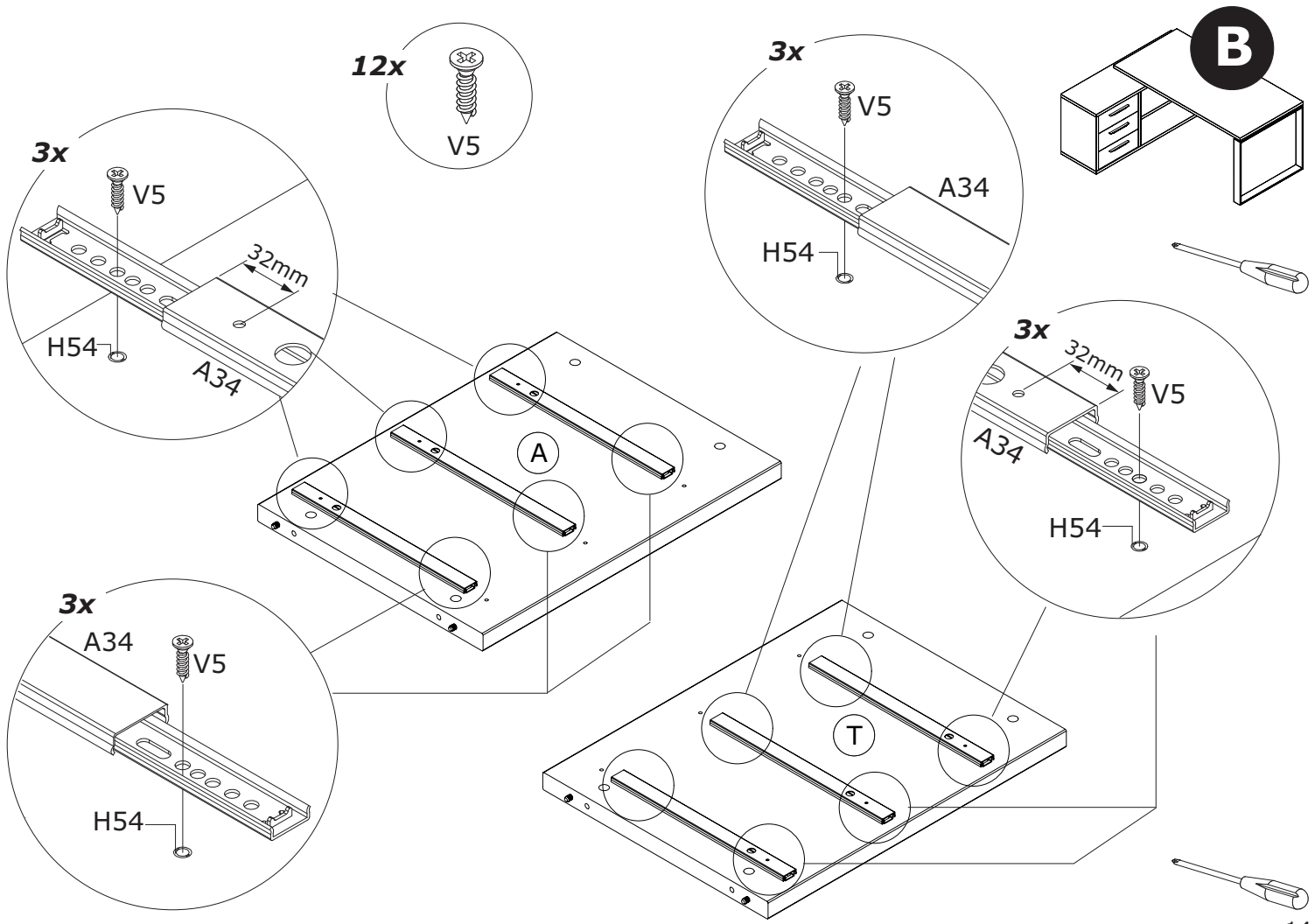
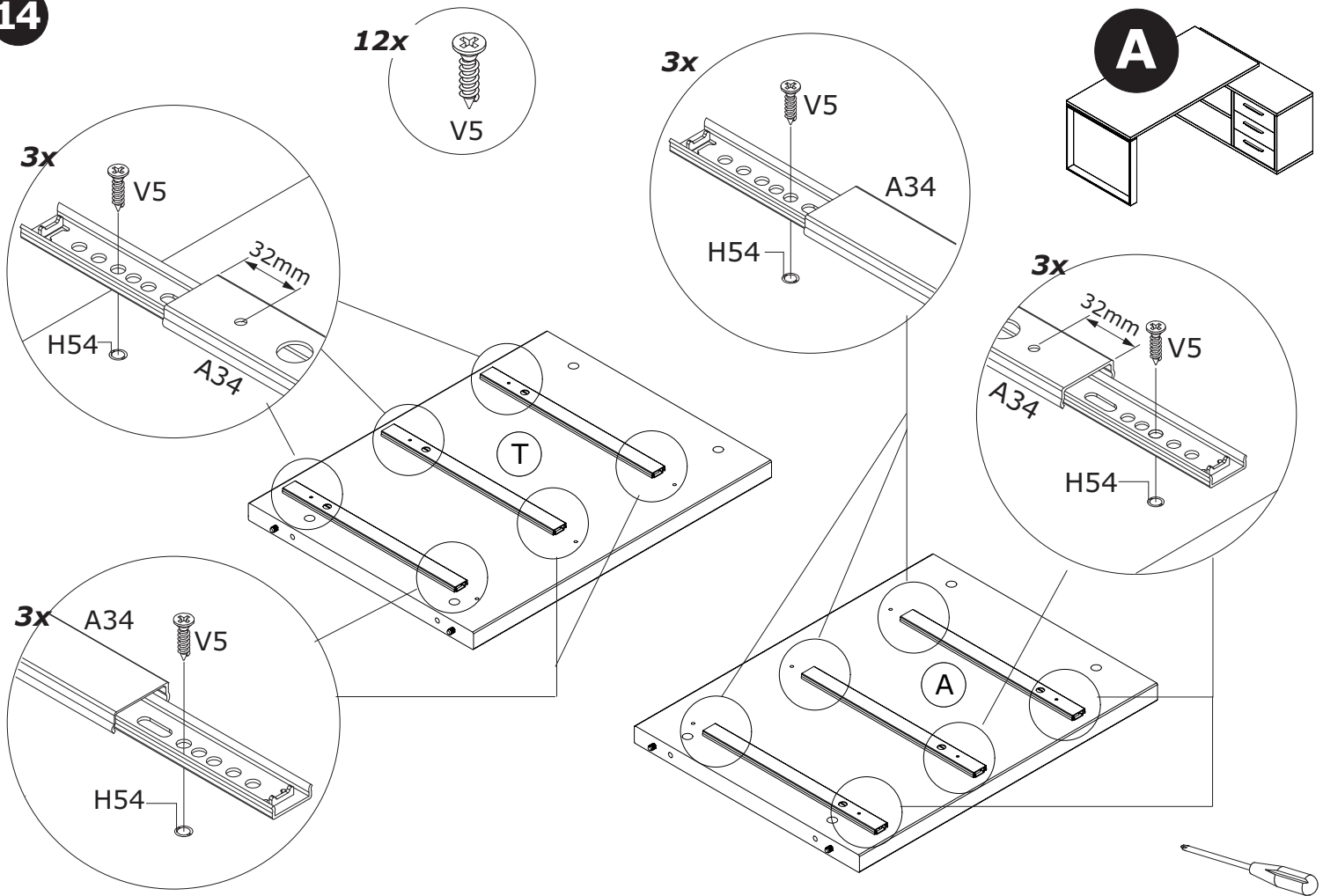


2

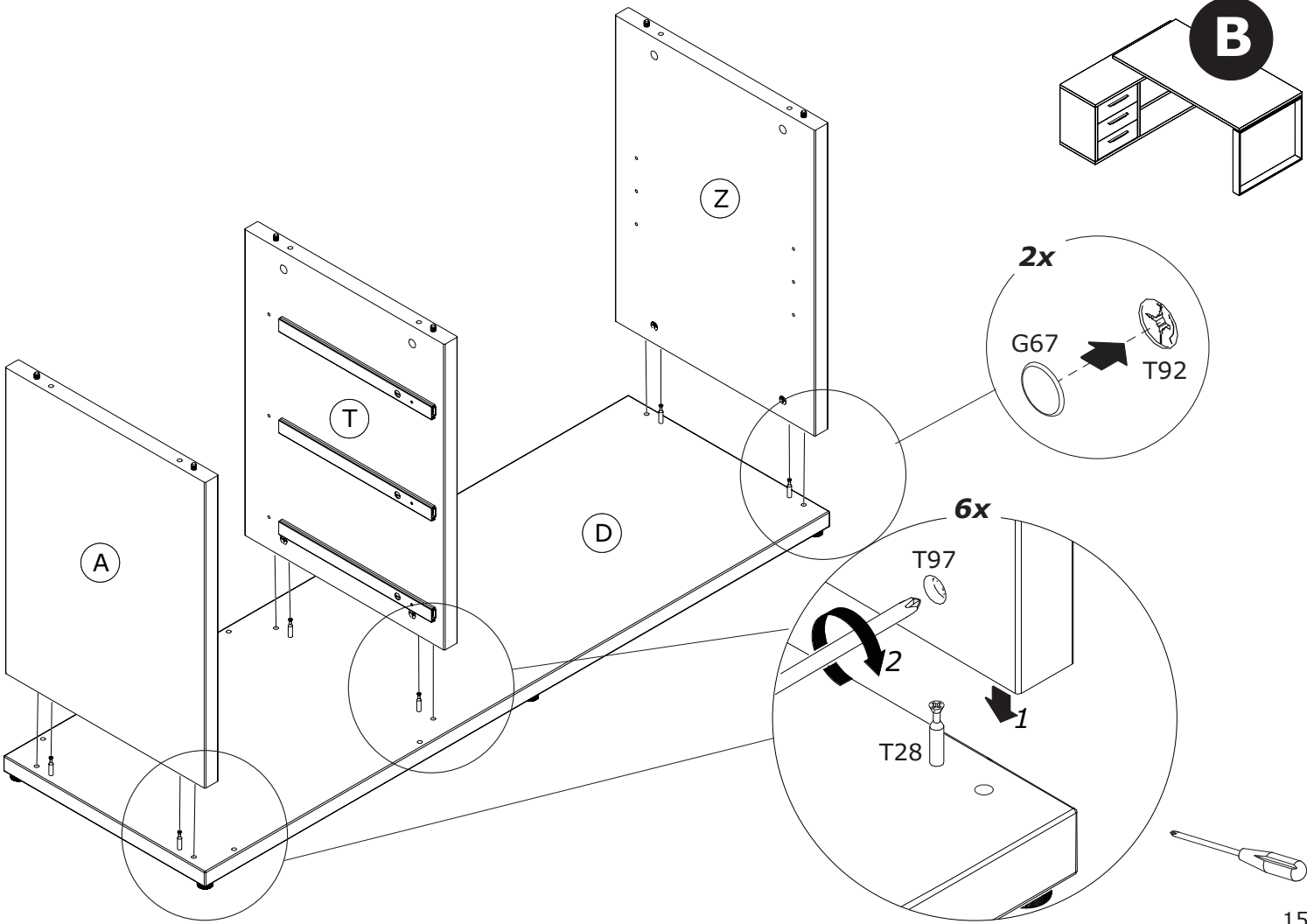
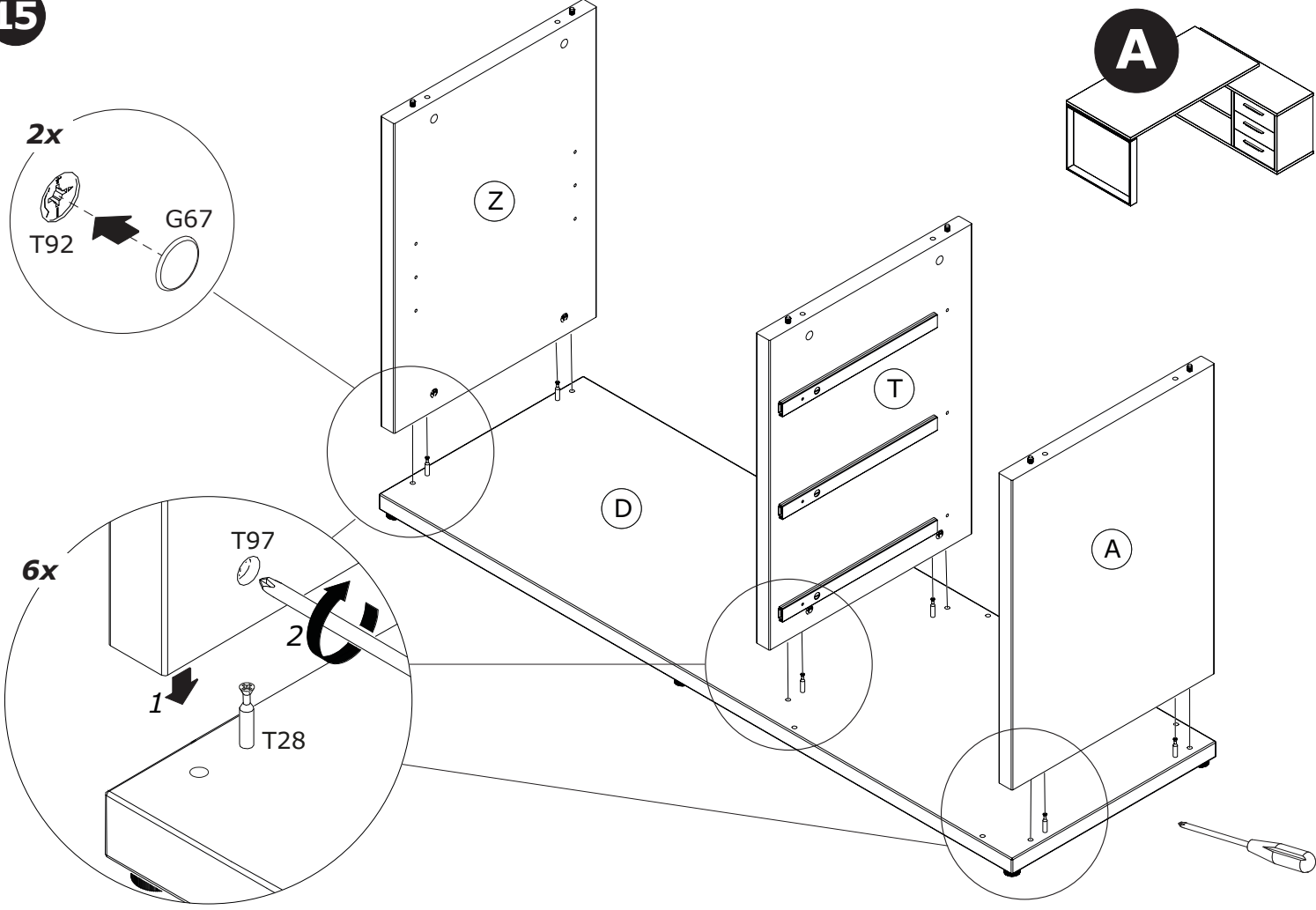


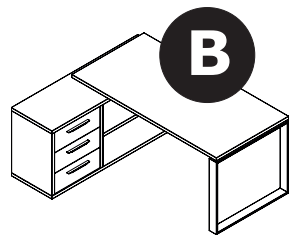
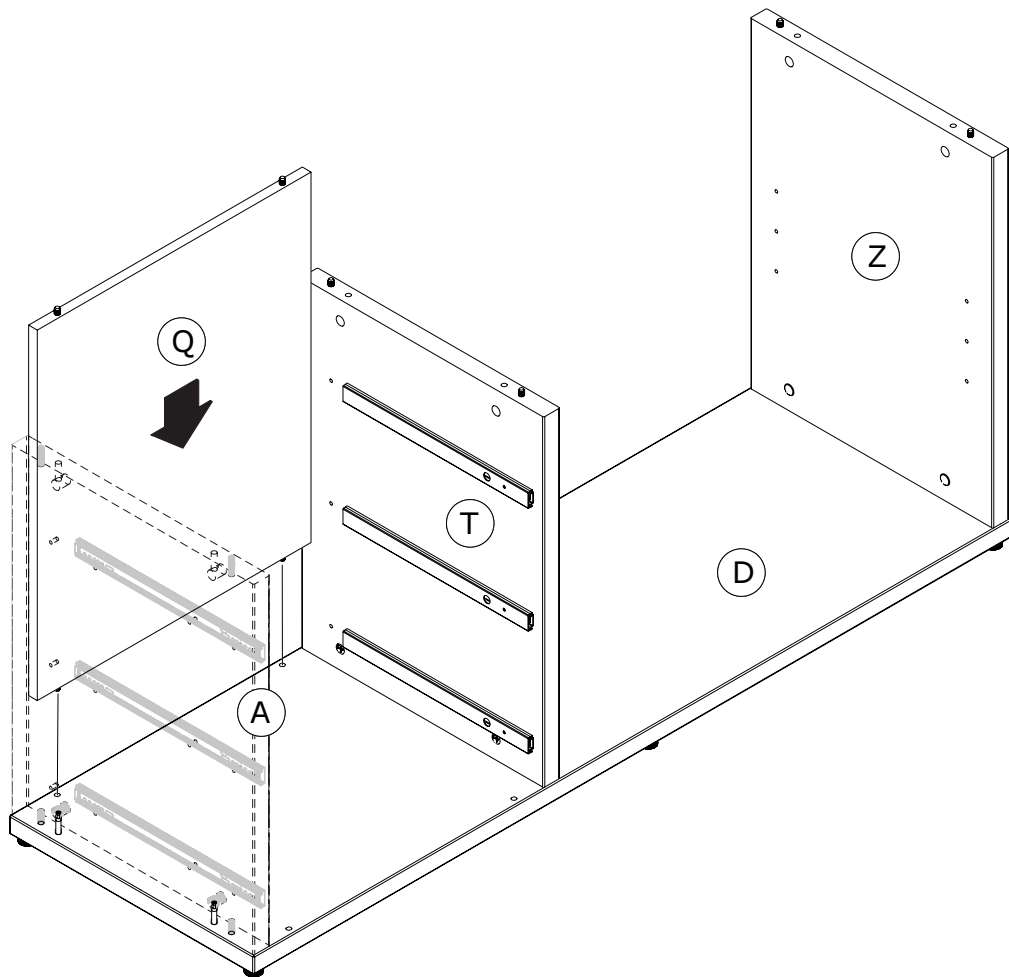
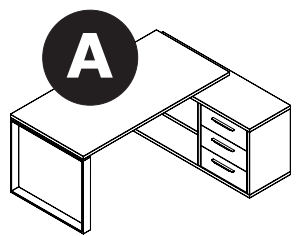
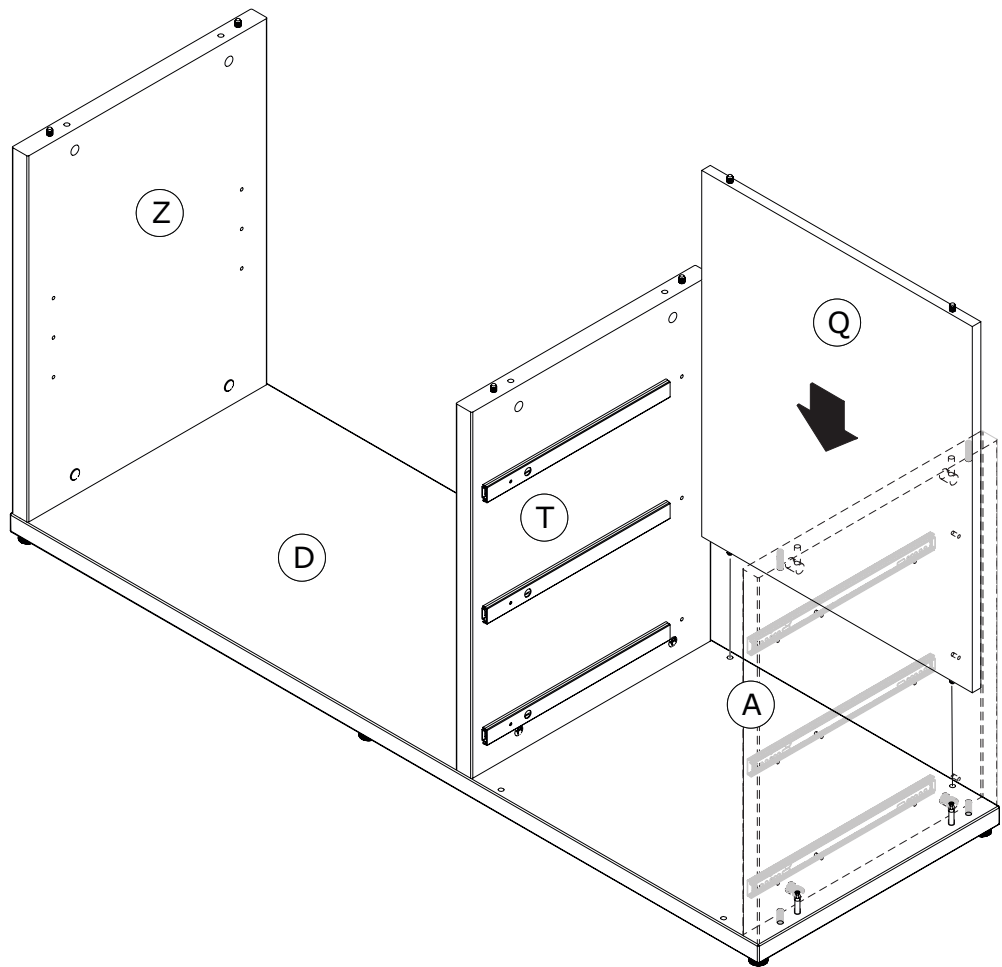
A



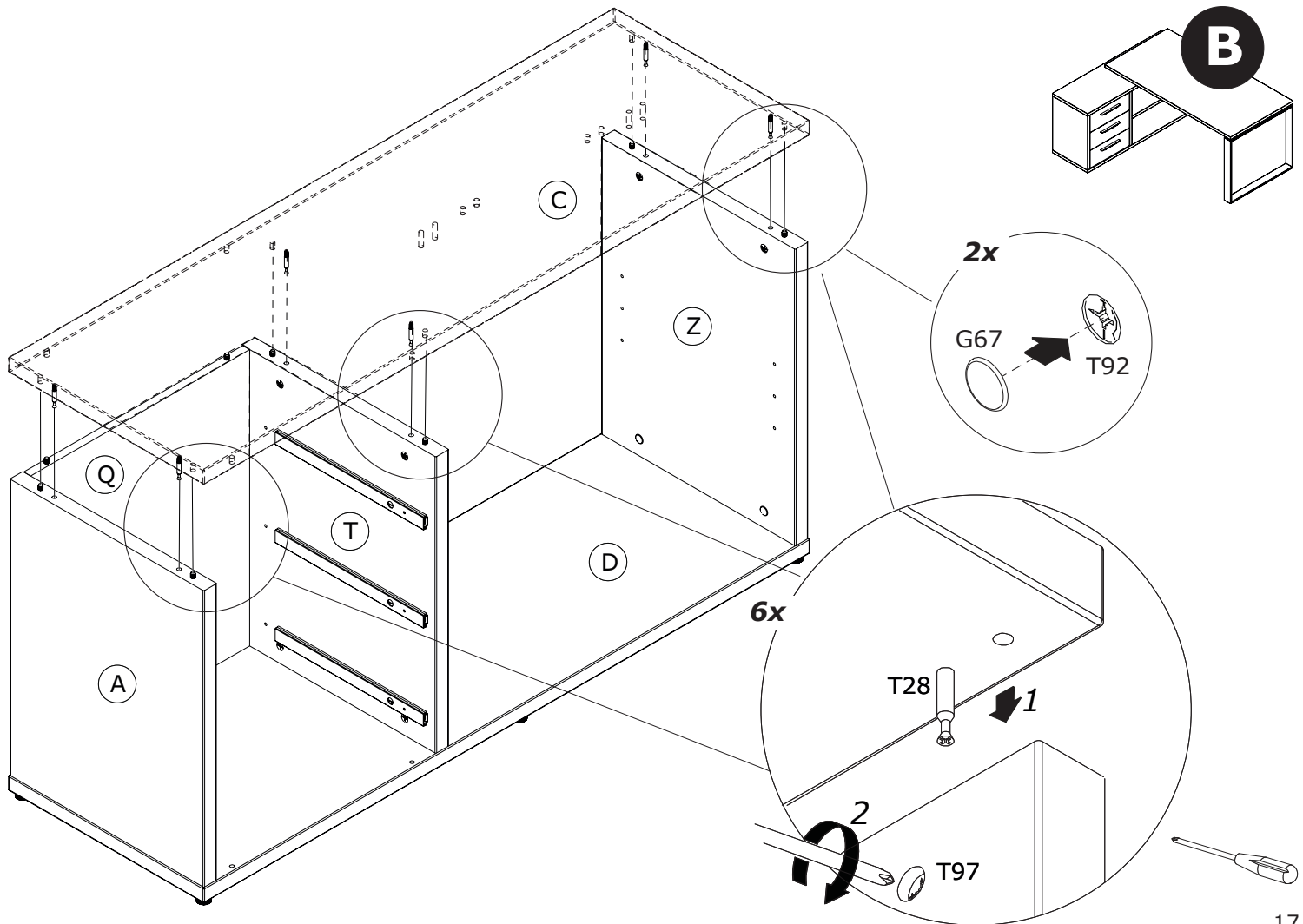
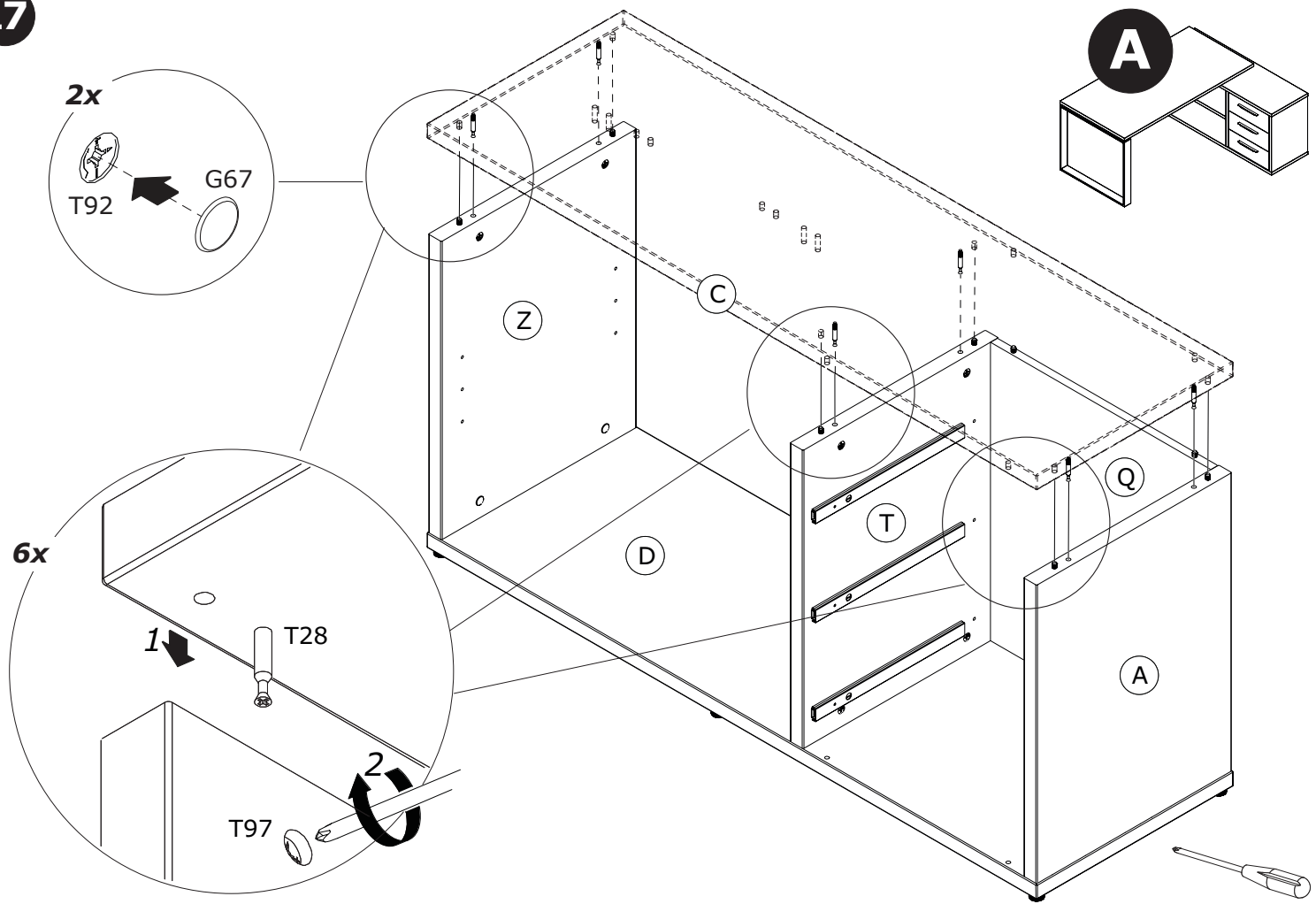


15

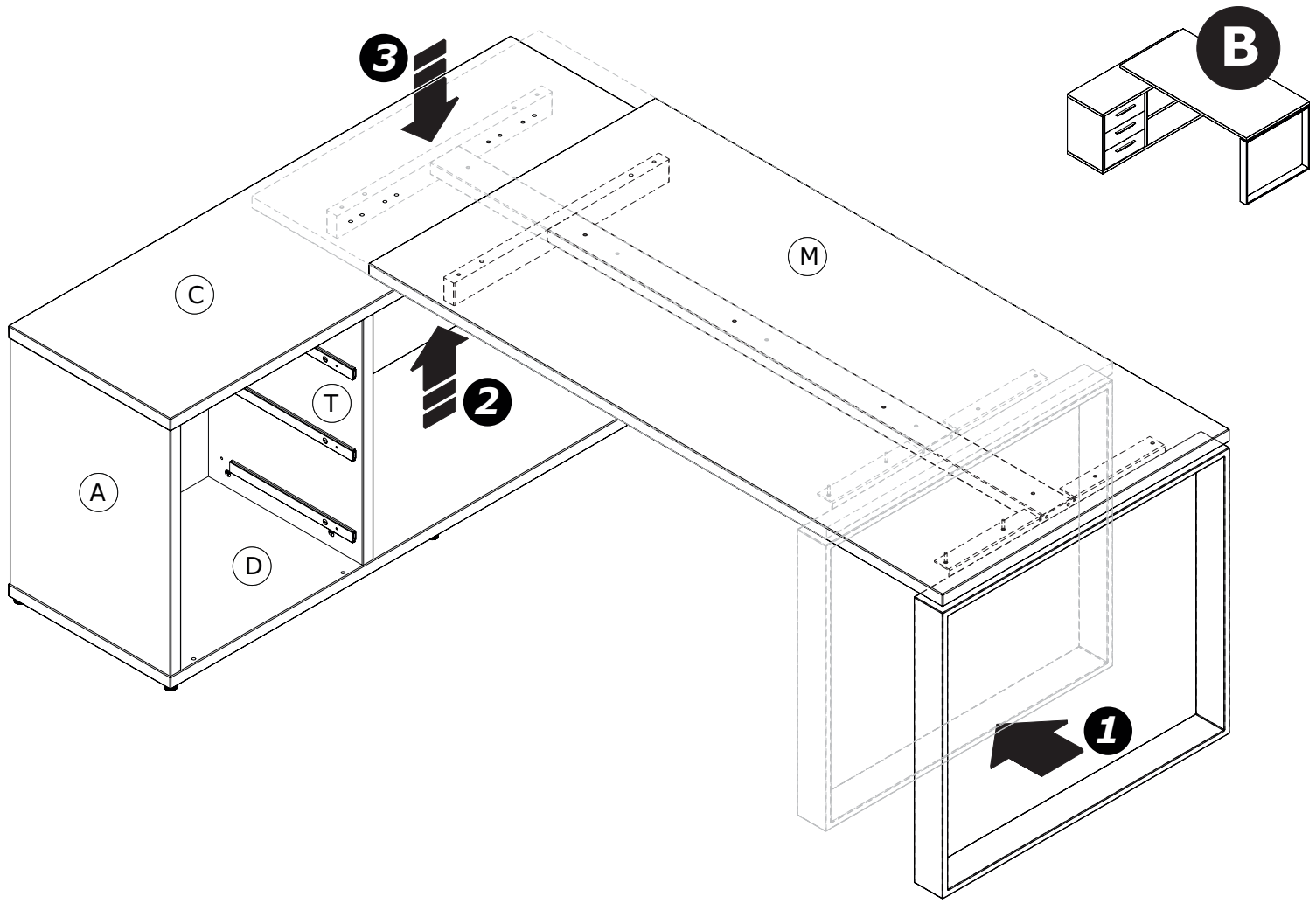
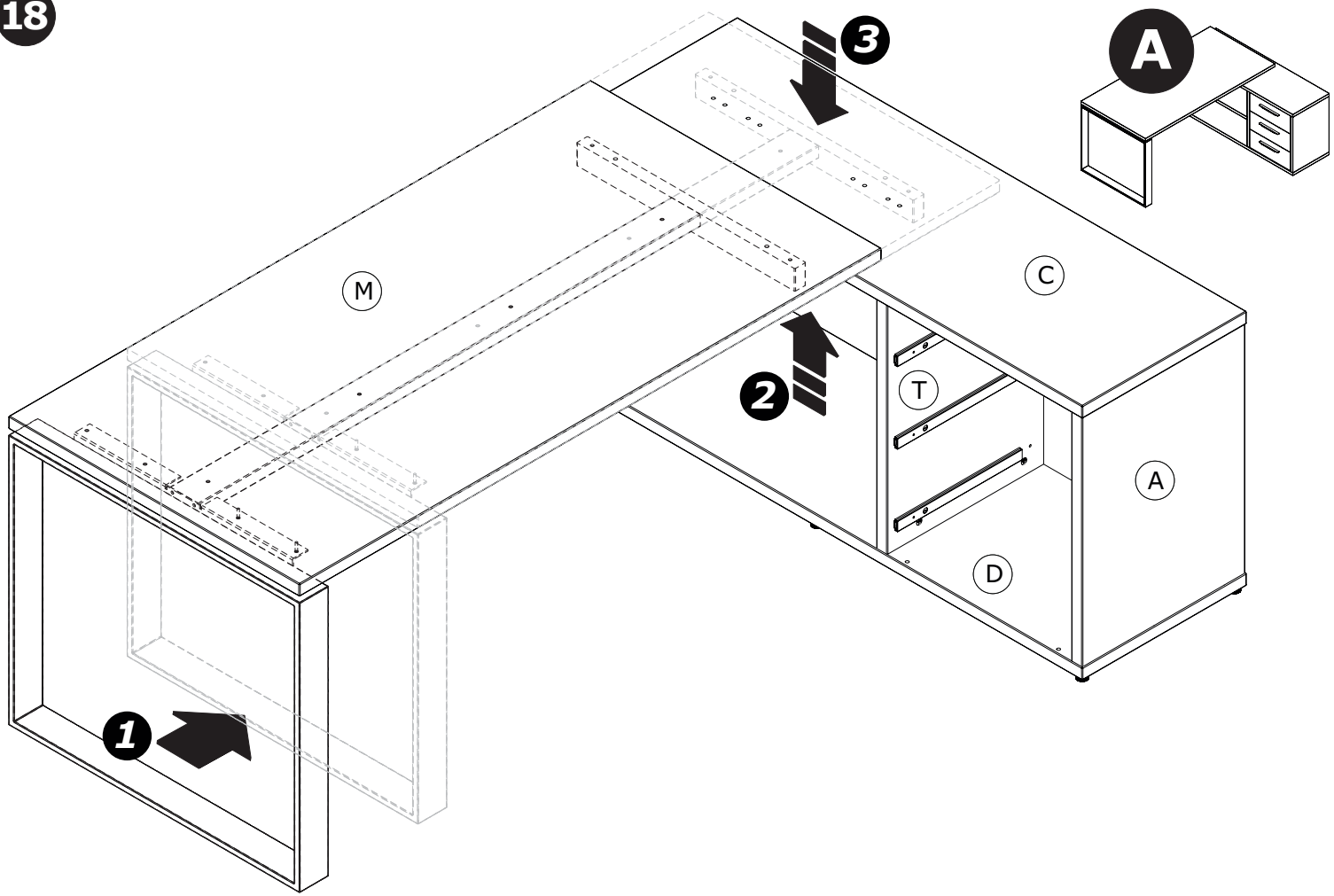


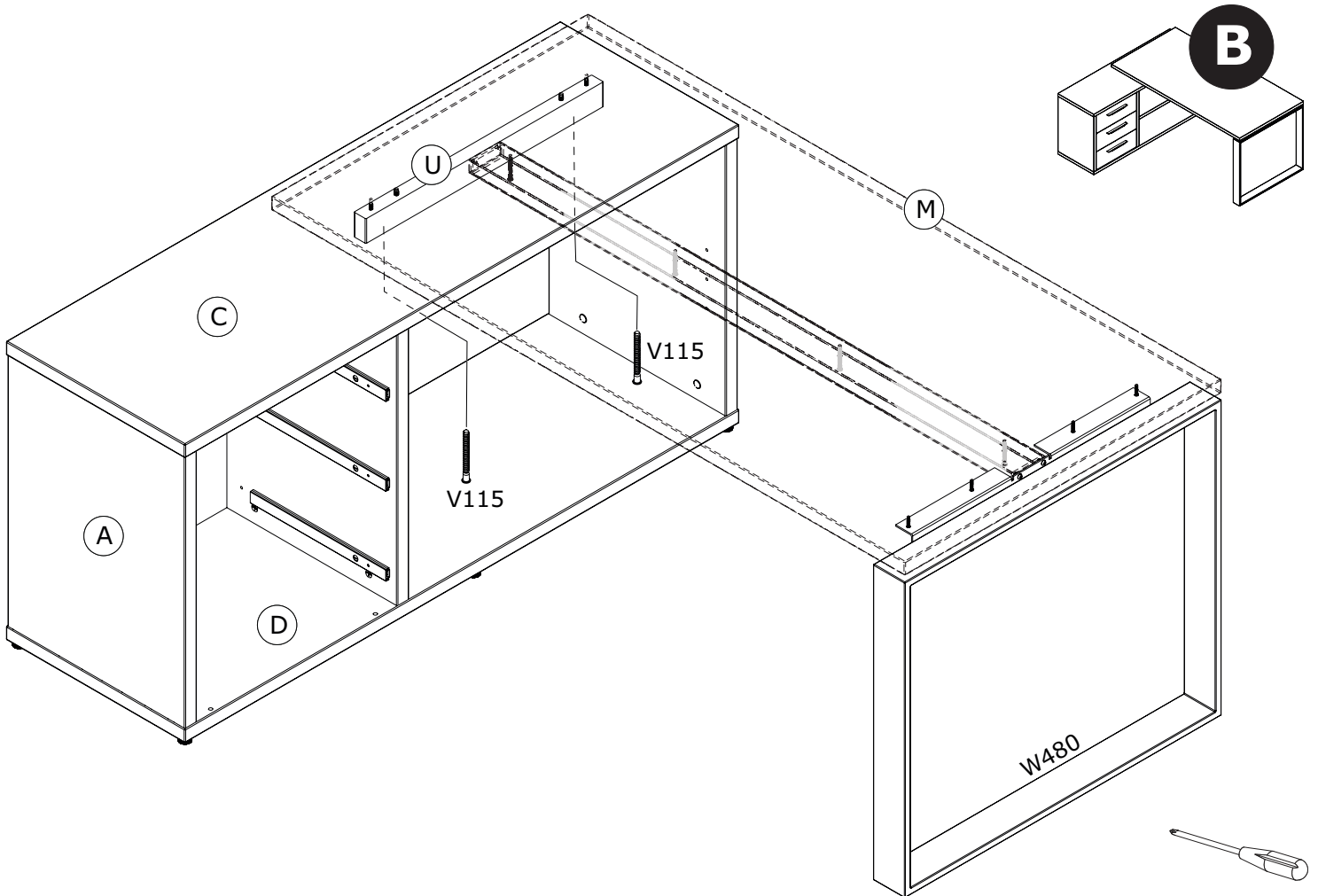
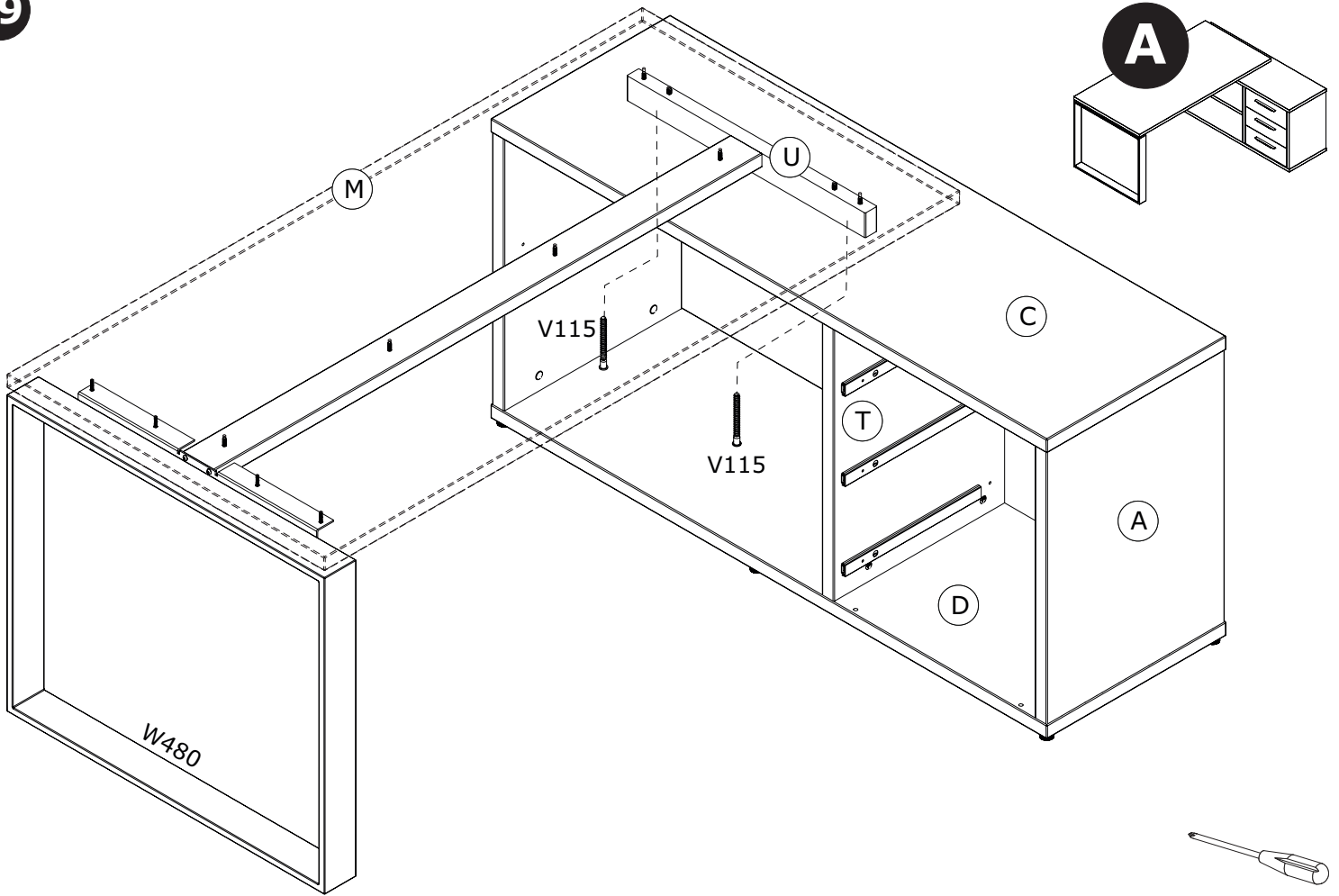


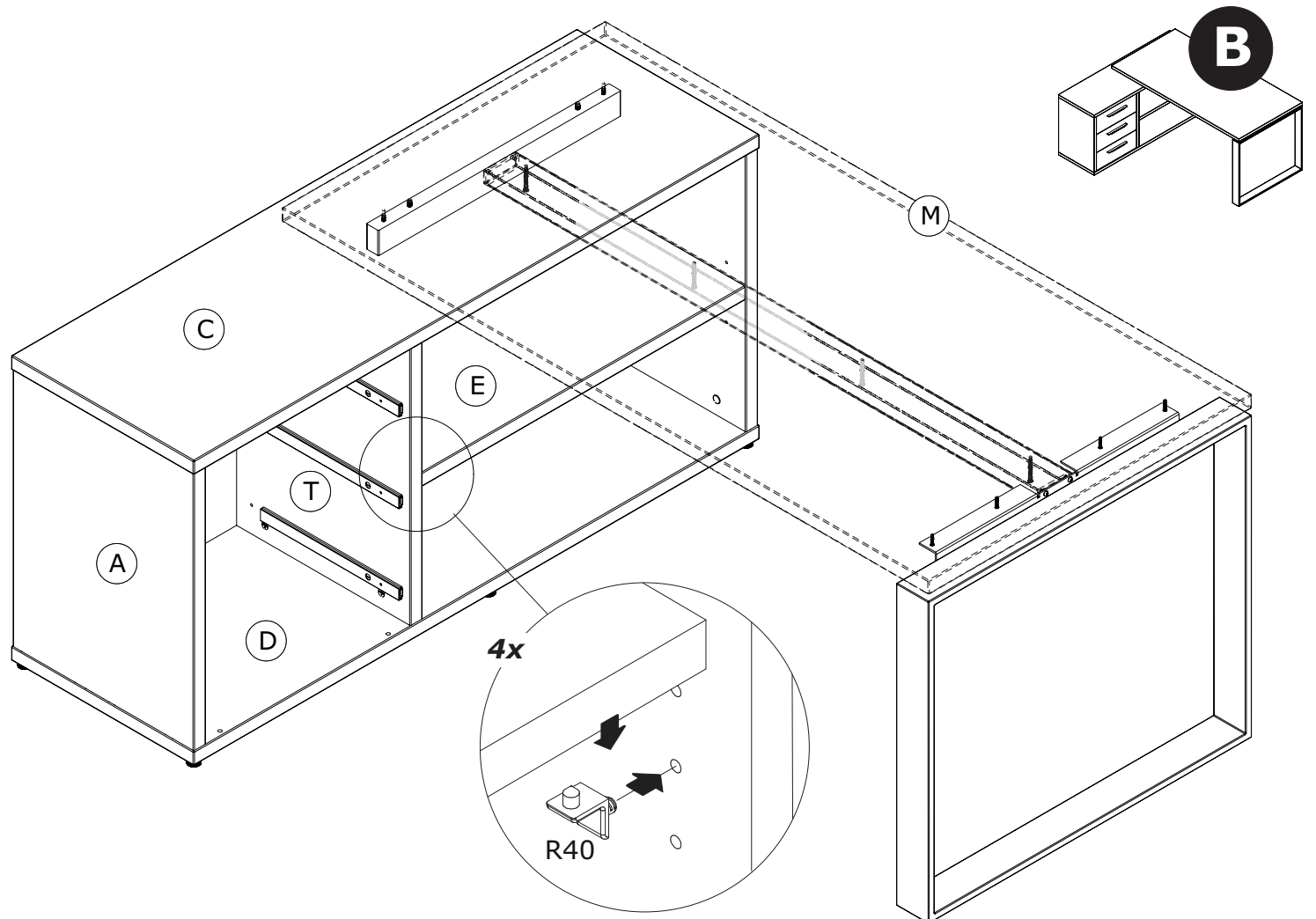
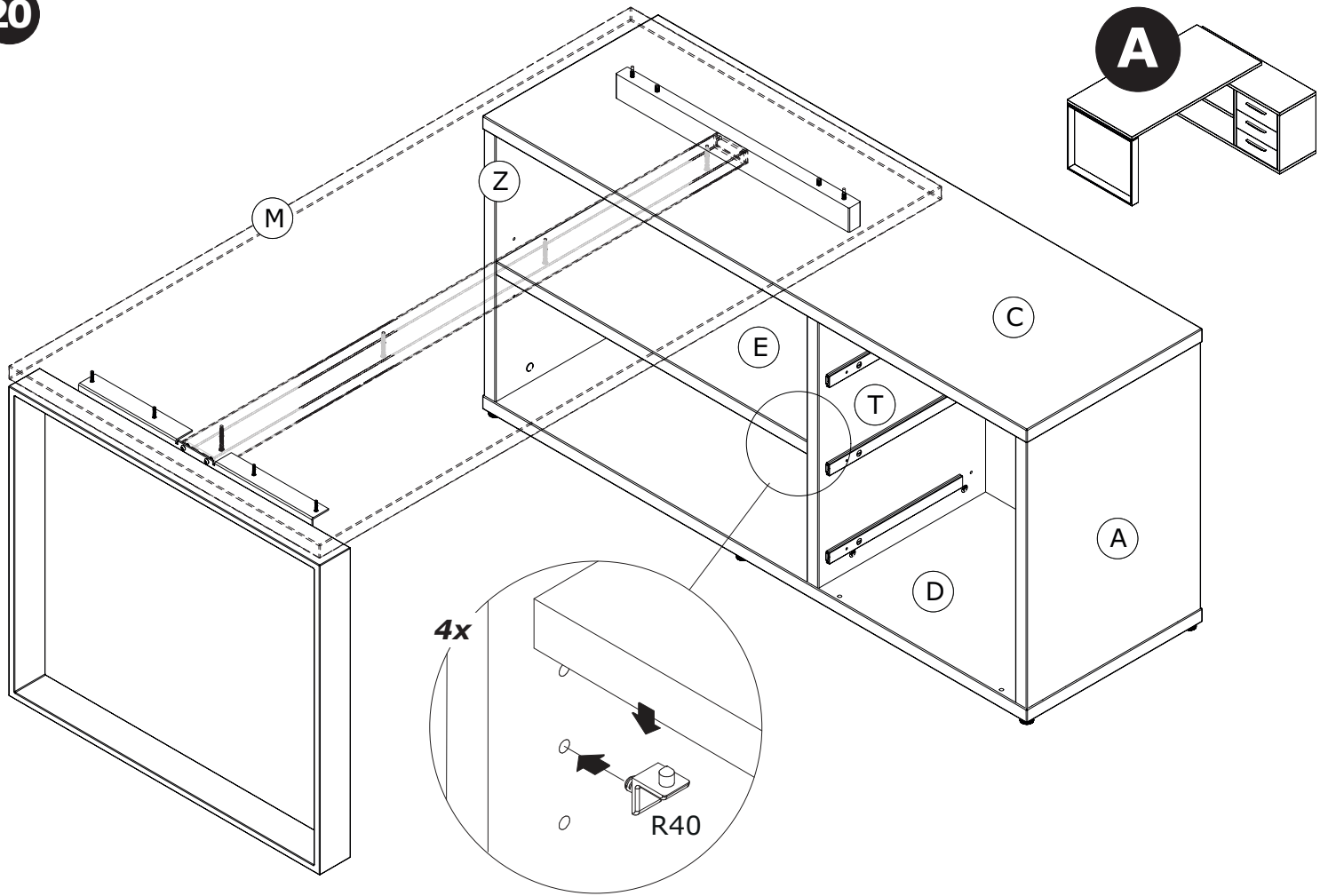




18







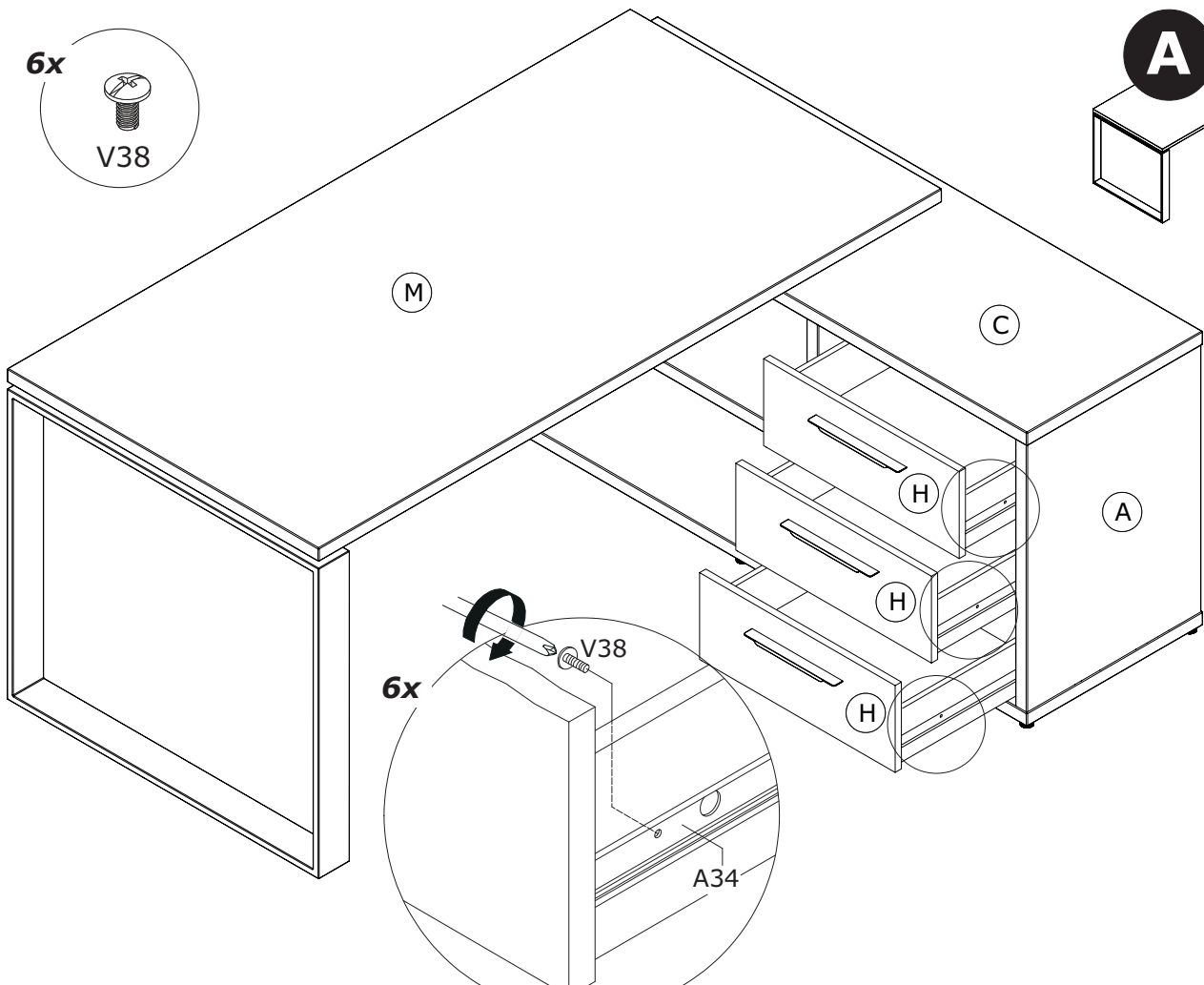
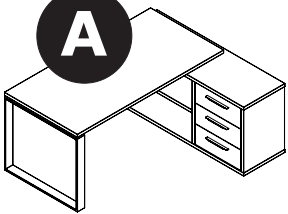
21

6x



V38

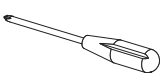
A



6x

V38

A34

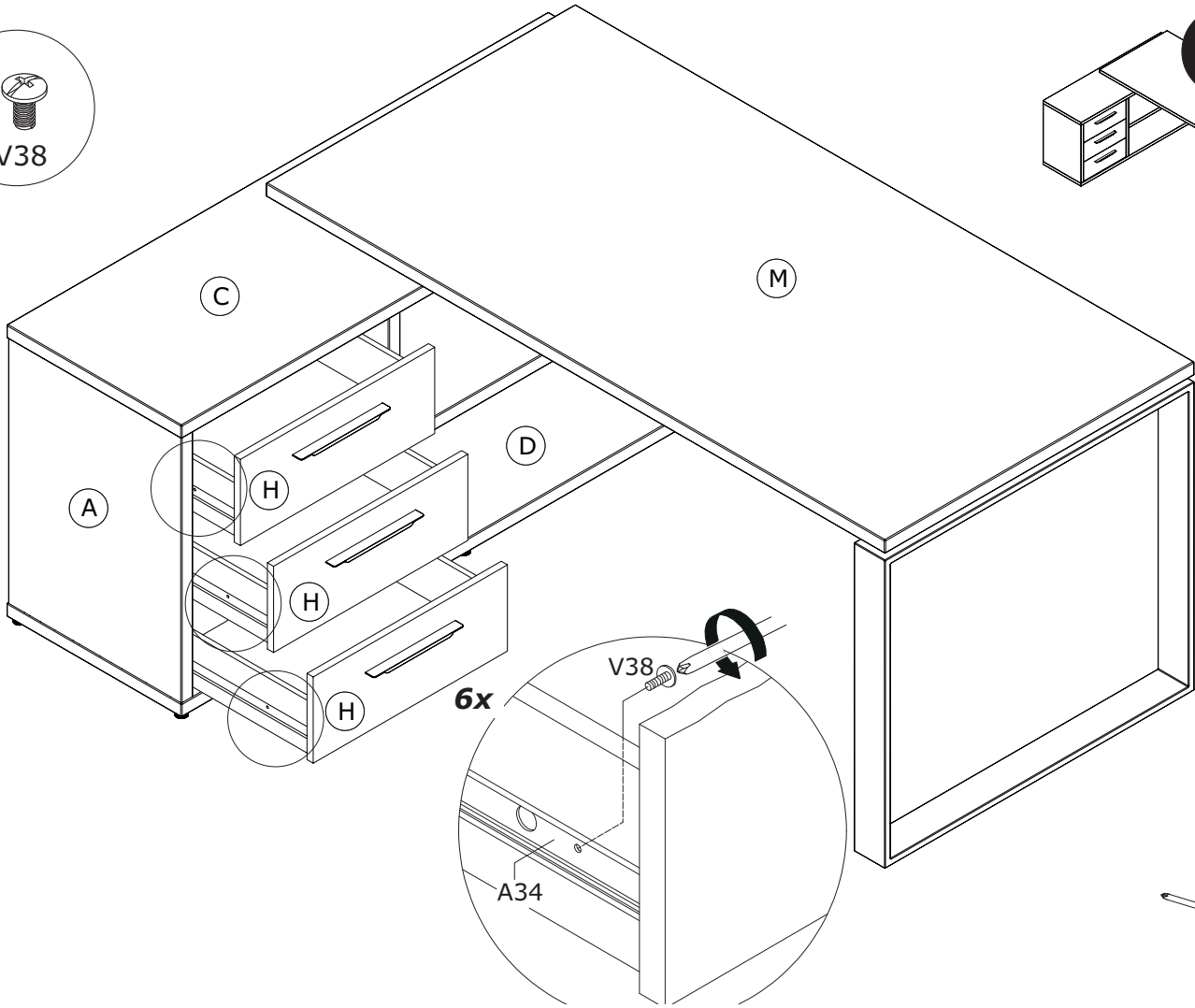
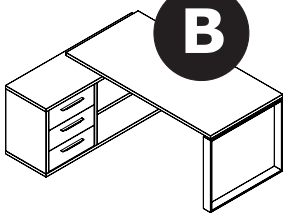


6x



V38

B



6x

V38

A34

