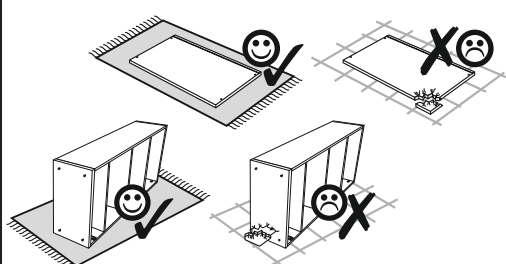
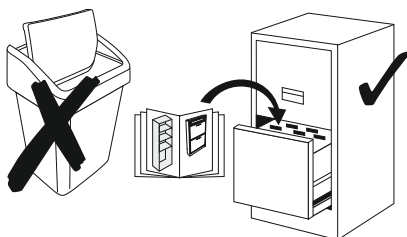
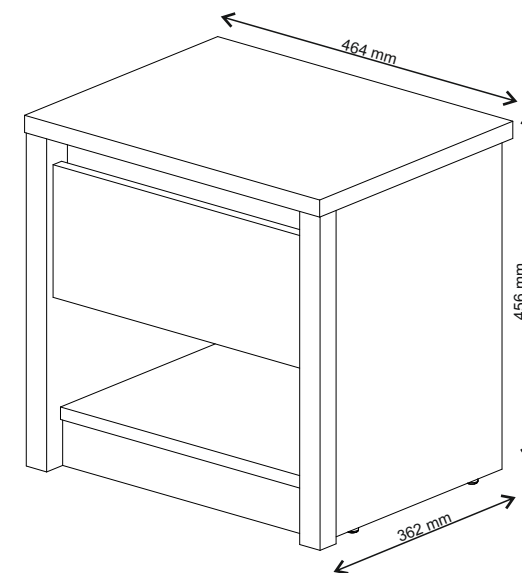
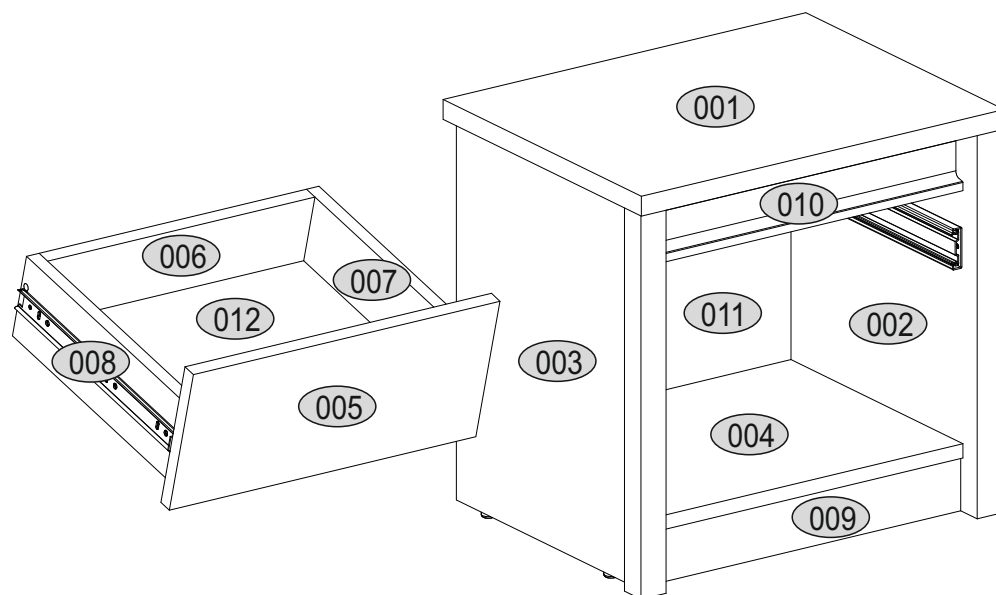
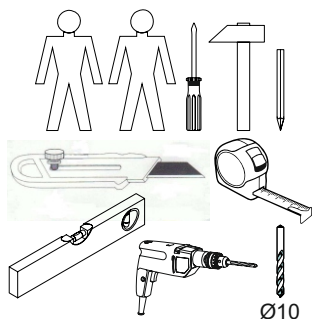
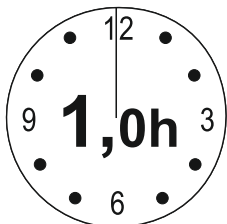








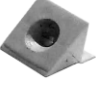





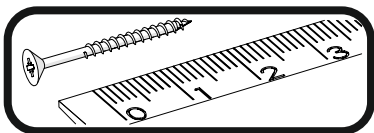
Installation manual

SZAFKA NOCNA 1S

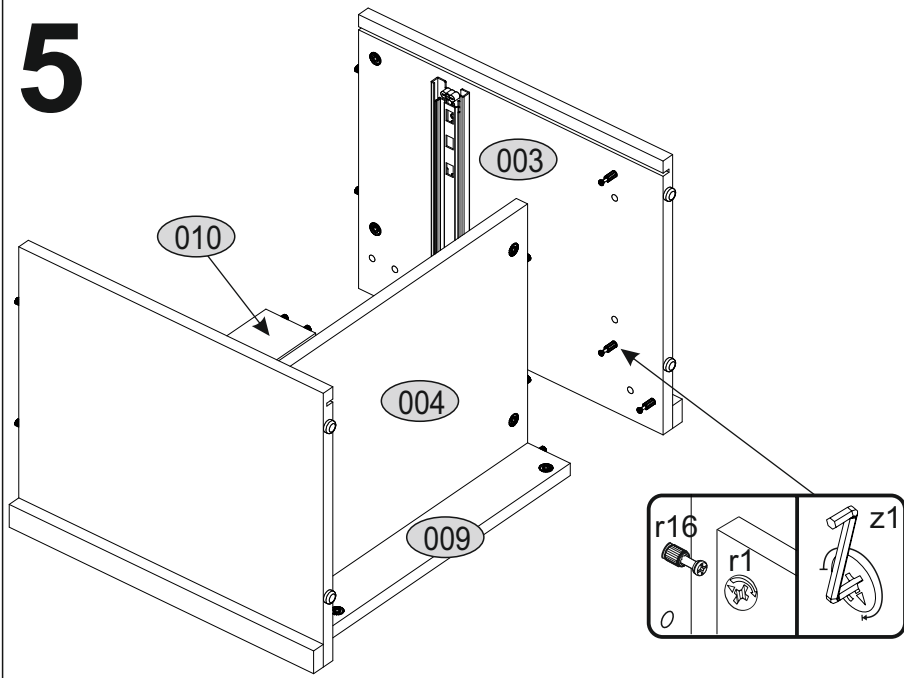


Code	Dimensions			Package	
001	464	362	22	1	1/1
002	428	360	16/32	1	1/1
003	428	360	16/32	1	1/1
004	398	334	16	1	1/1
005	392	170	16	1	1/1
006	342	100	16	1	1/1
007	300	100	16	1	1/1
008	300	100	16	1	1/1
009	398	60	16	1	1/1
010	398	70	30	1	1/1
011	370	416	3	1	1/1
012	360	302	3	1	1/1
accessories				1	1/1

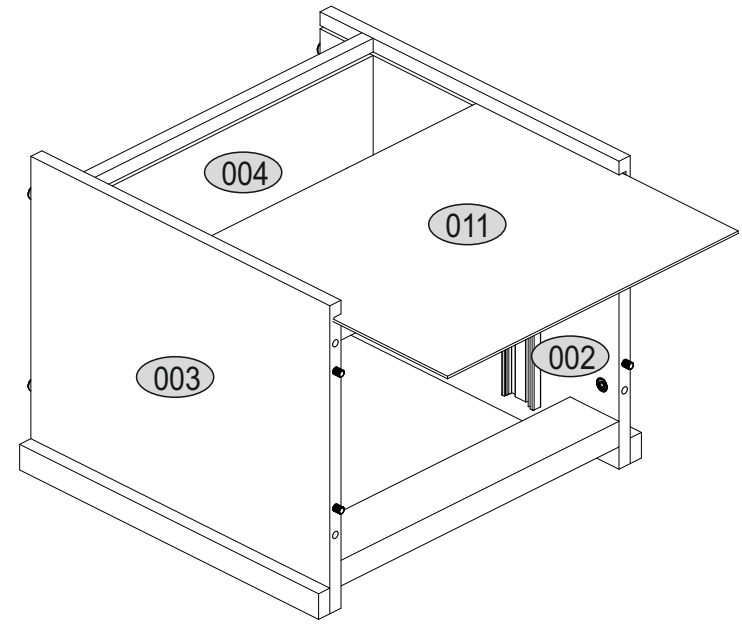
<p>x2 e1</p> <p>Ø 7x50mm</p> 	<p>x2 s1</p> 	<p>x12 r1</p> <p>Ø 15x12mm</p> 	<p>x12 r16</p> 
<p>x2 s2</p> 	<p>x18 f1</p> <p>Ø 8x30mm</p> 	<p>x4 l2</p> 	<p>x4 k1</p> 
<p>x1 lb-L300</p> 	<p>x16 p25</p> <p>Ø 3,5x16mm</p> 		



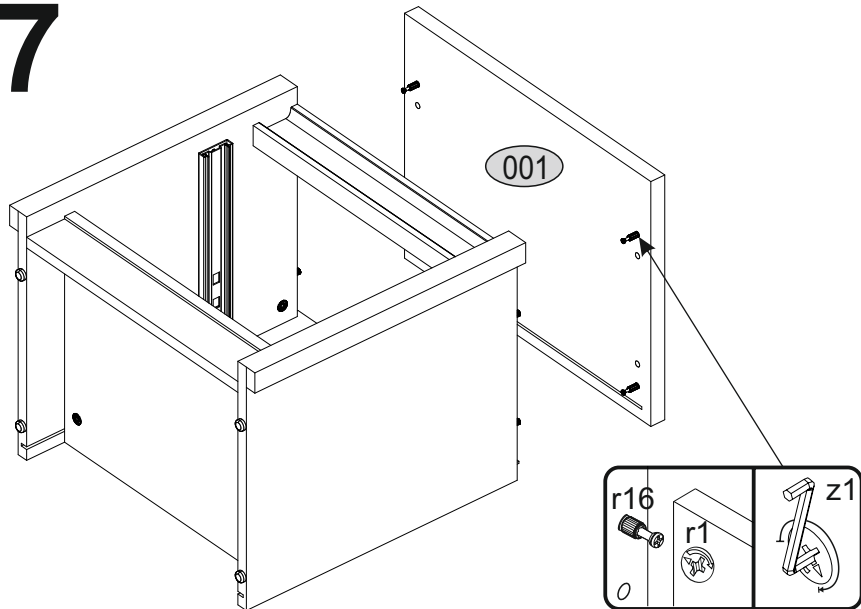
5



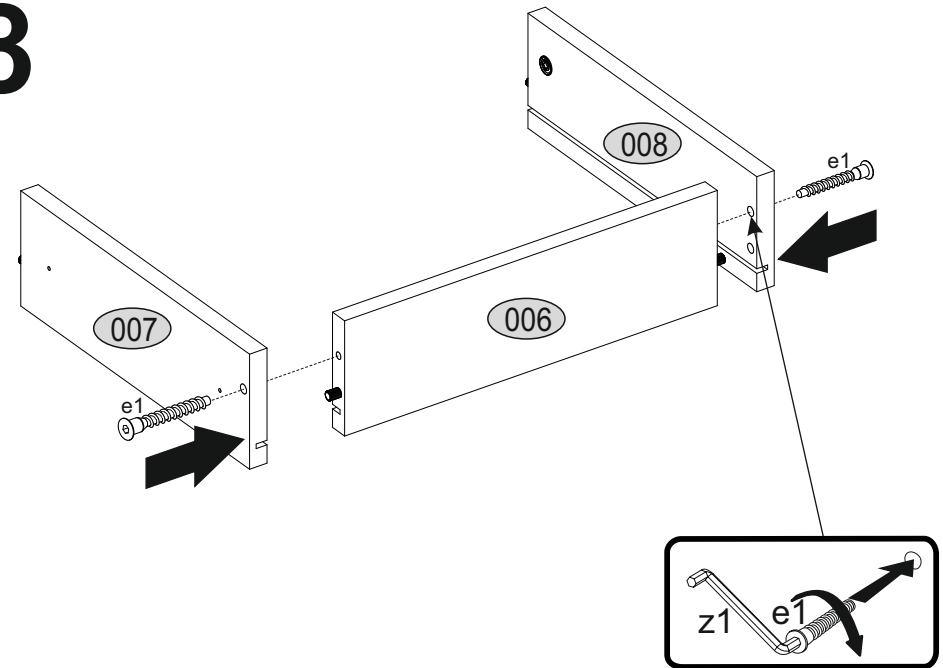
6



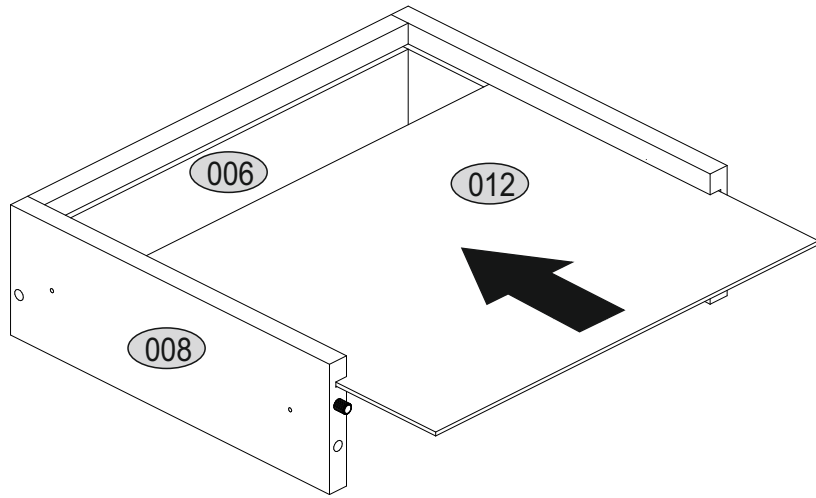
7



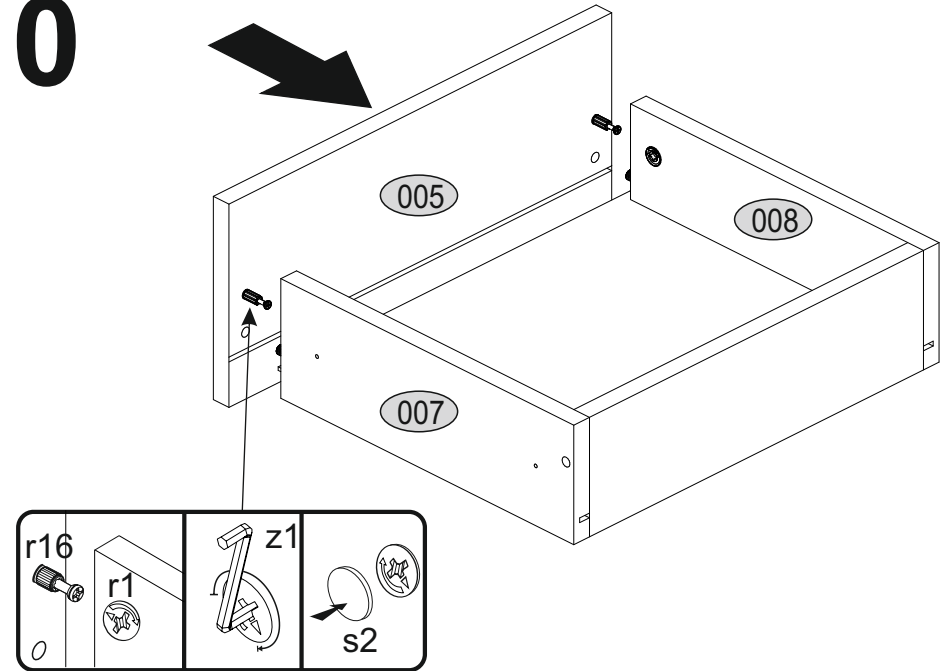
8



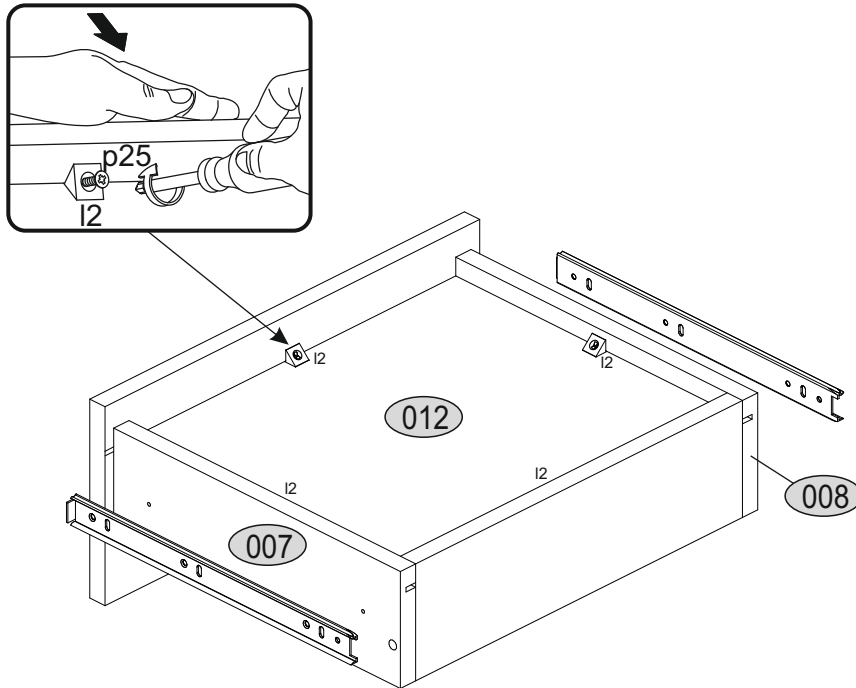
9



10



11



12

