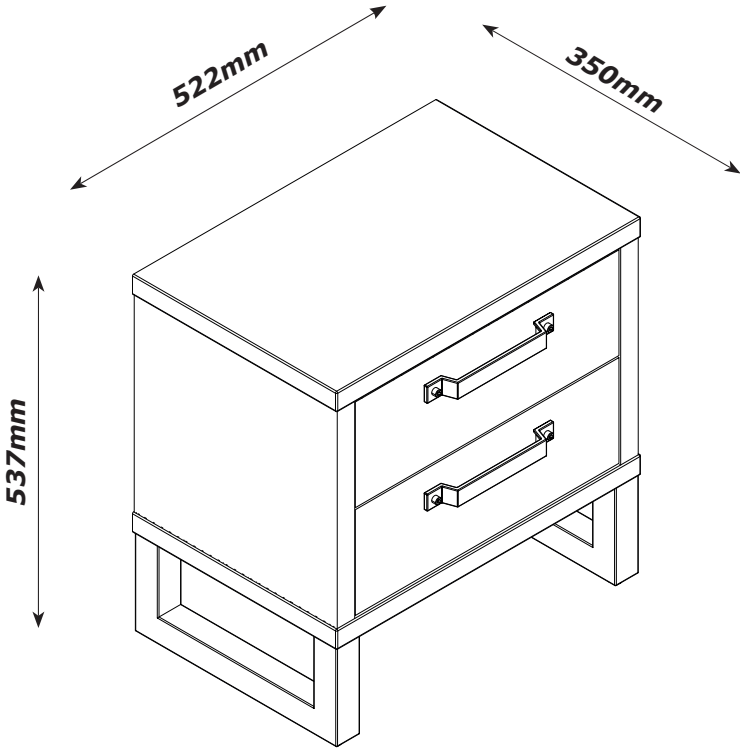
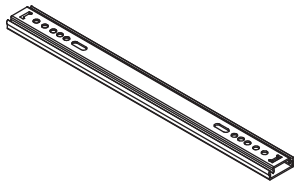
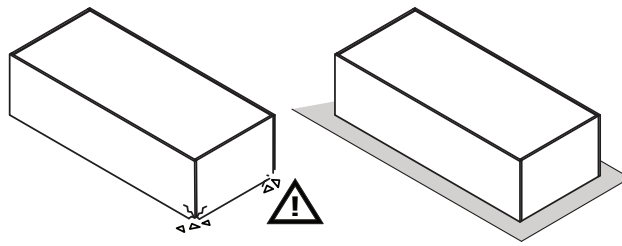
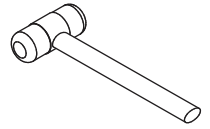
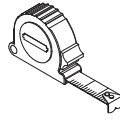
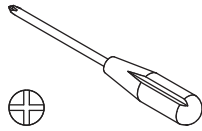


CT2105K76604

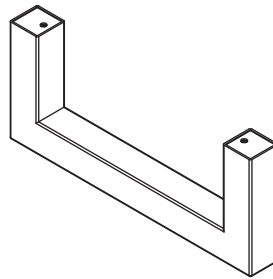




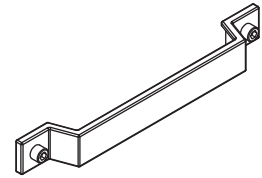
1,5h



A47
x4

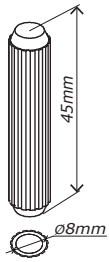


P72
x2



M214
x2

BU4536



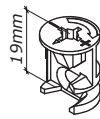
H325
x8



T28
x12



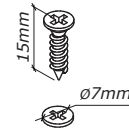
T98
x4



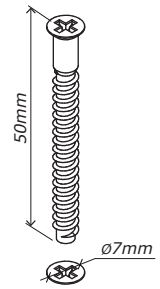
T97
x8



H54
x8



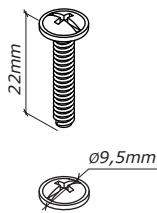
V5
x16



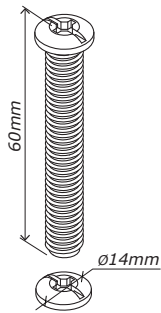
V130
x8



G136
x4



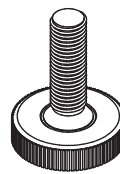
V32
x4



V152
x4



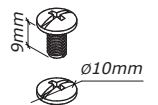
H15
x12



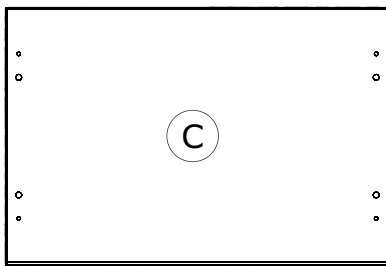
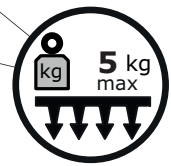
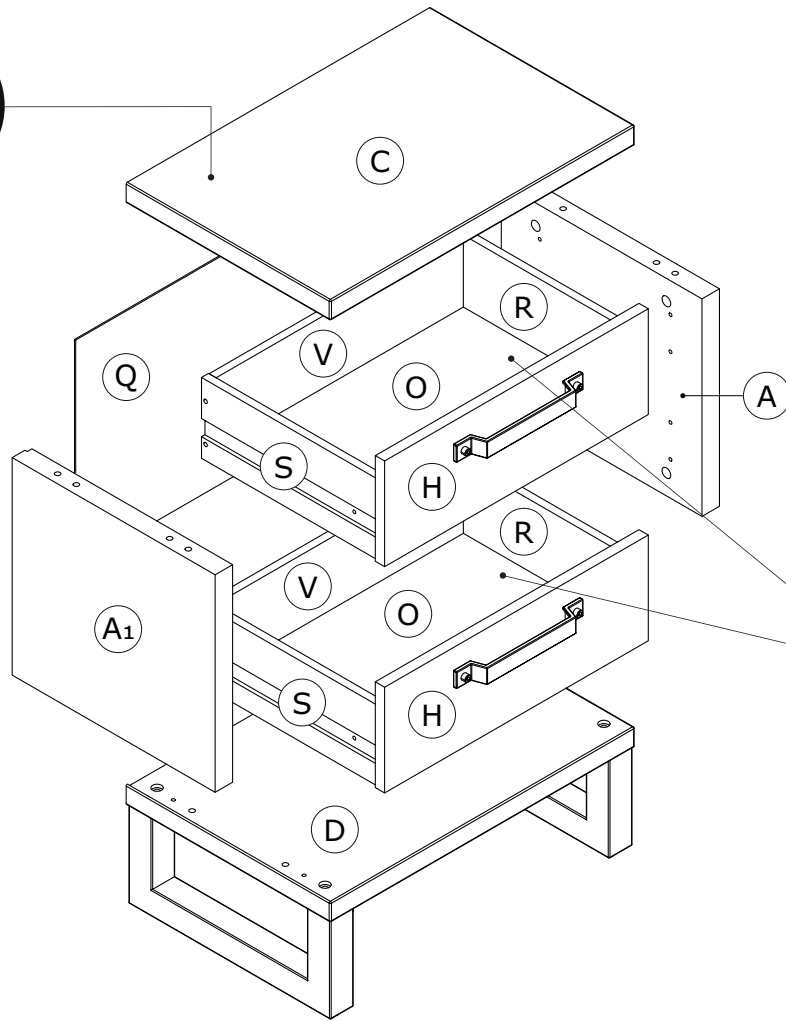
P14
x4



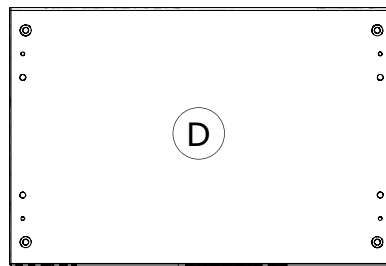
H2
x8



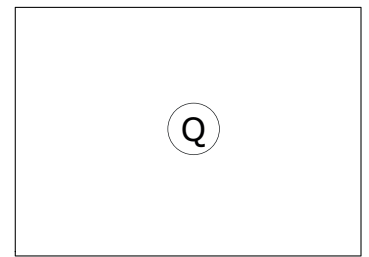
V38
x4



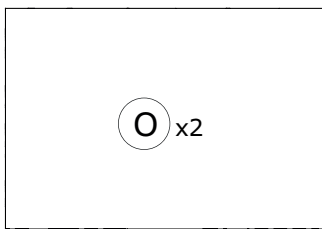
CA3748
522x350x30mm



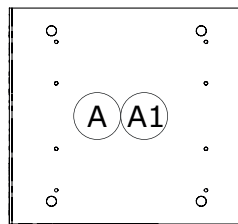
BA2285
522x350x30mm



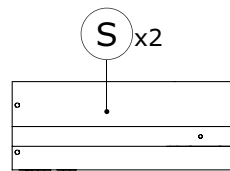
SH3515
470x338x2mm



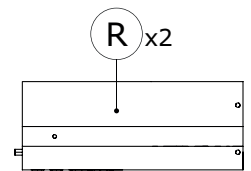
SH3520
435x300x2mm



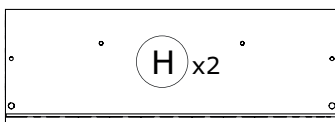
FI9000
323x348x30mm



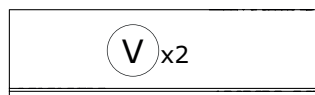
OS0324
300x120x12mm



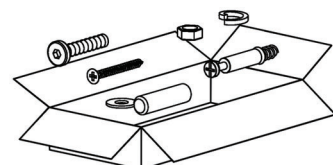
OS0323
300x120x12mm



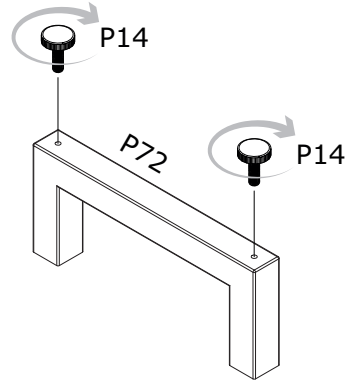
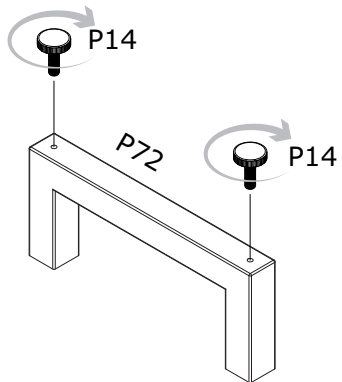
CS3772
452x157x16mm



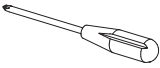
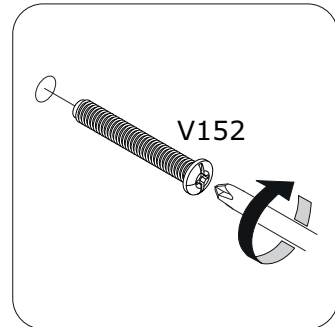
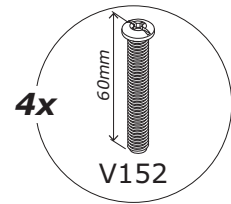
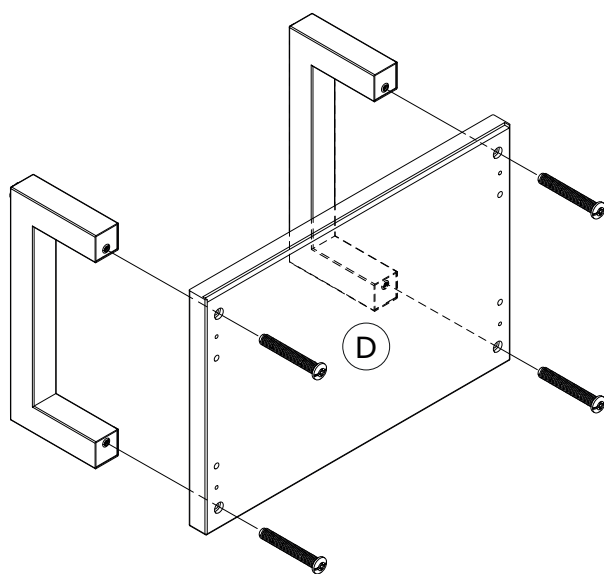
OS0322
424x120x12mm



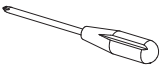
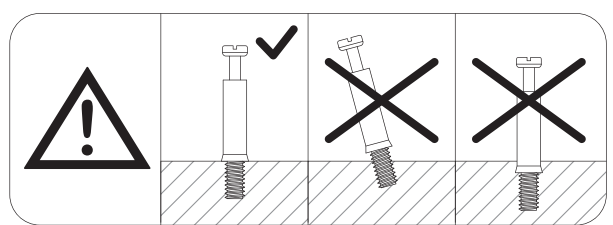
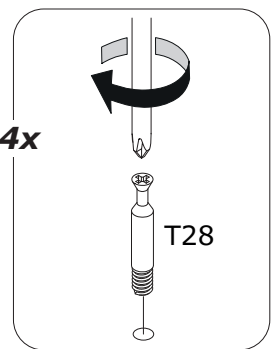
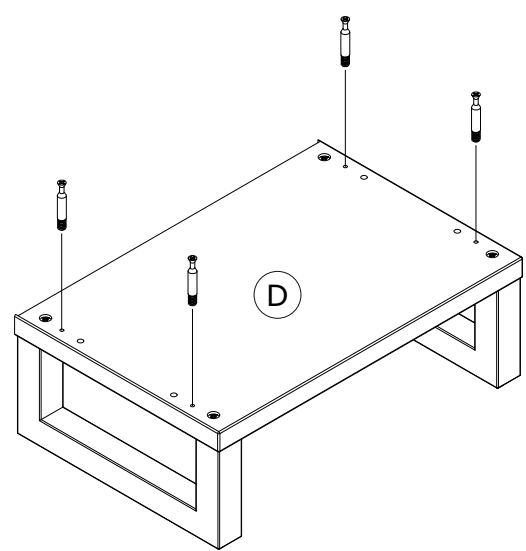
1



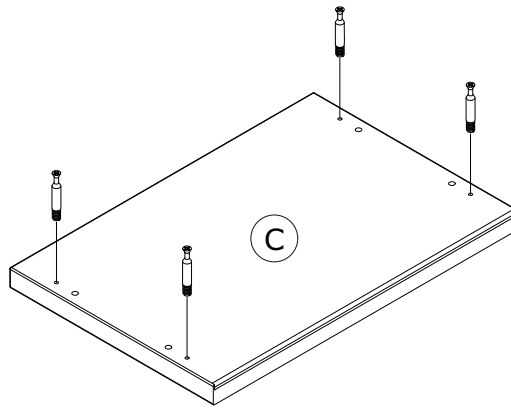
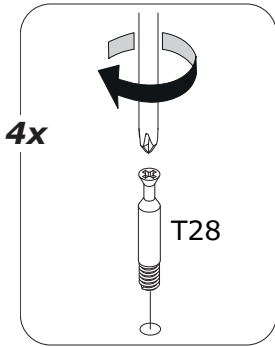
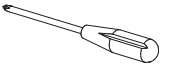
2



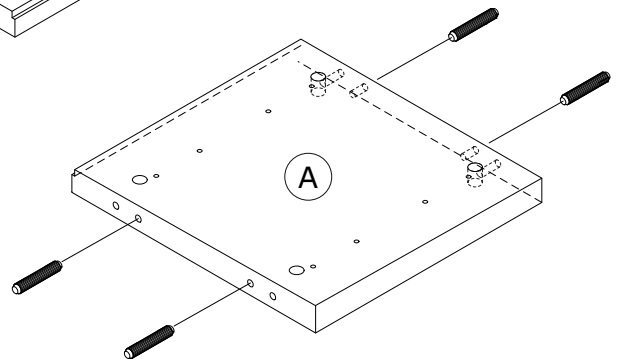
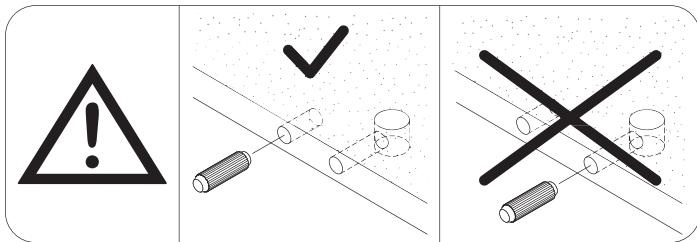
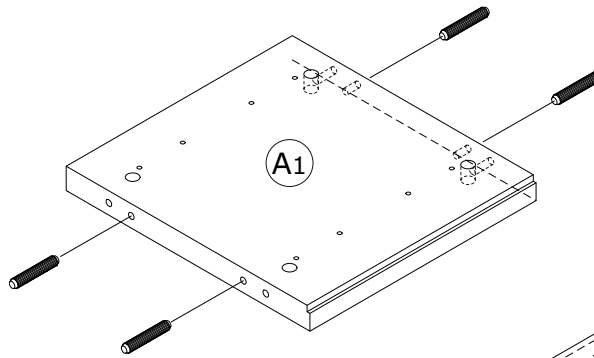
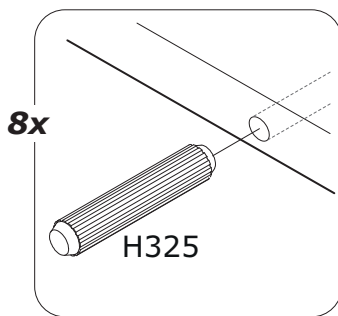
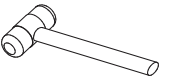
3



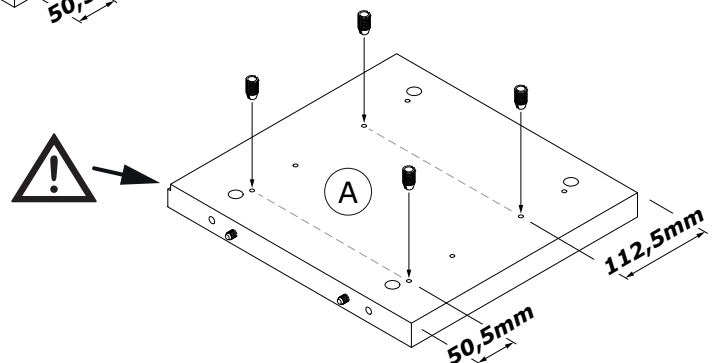
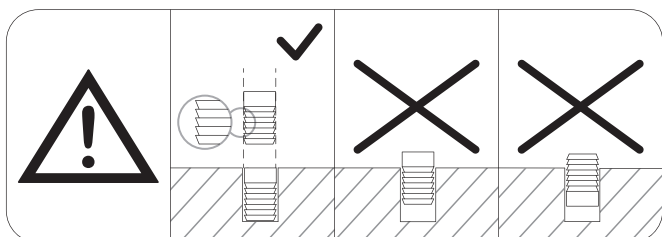
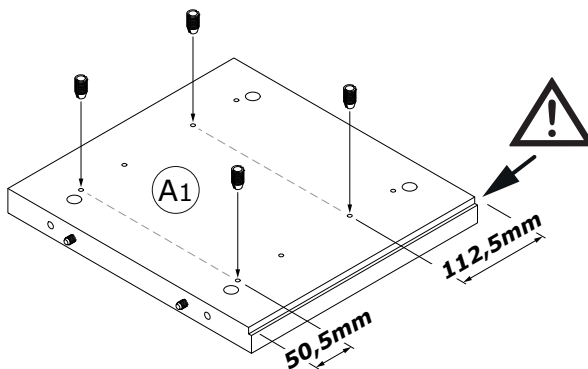
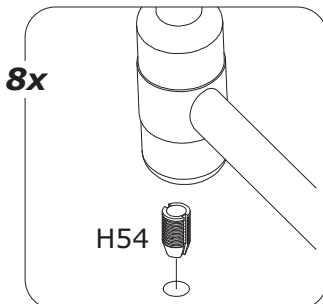
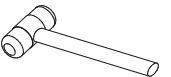
4



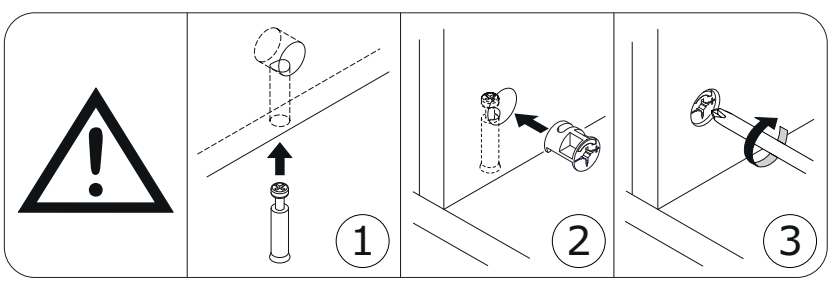
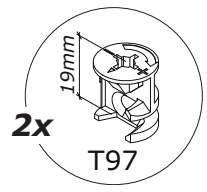
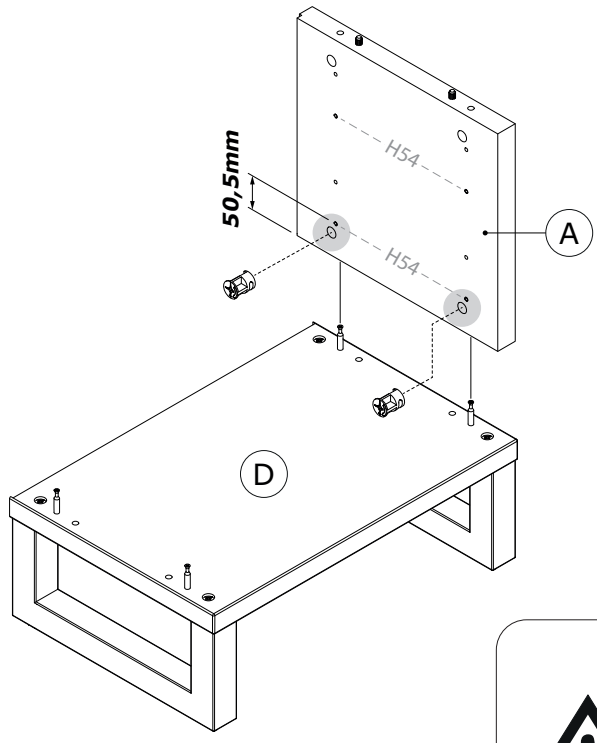
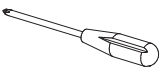
5



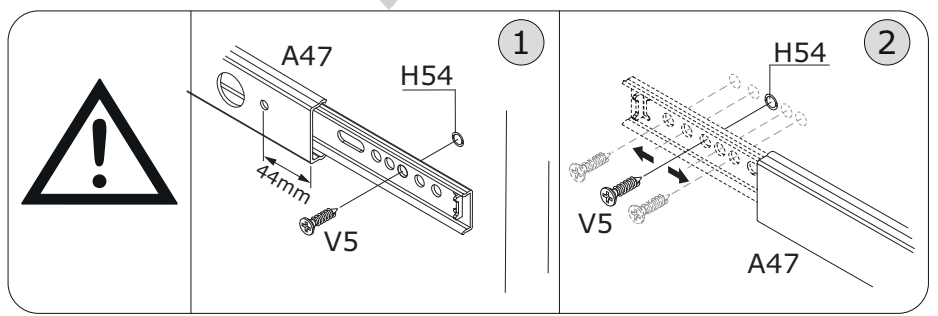
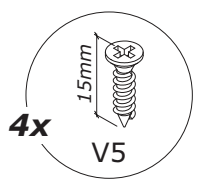
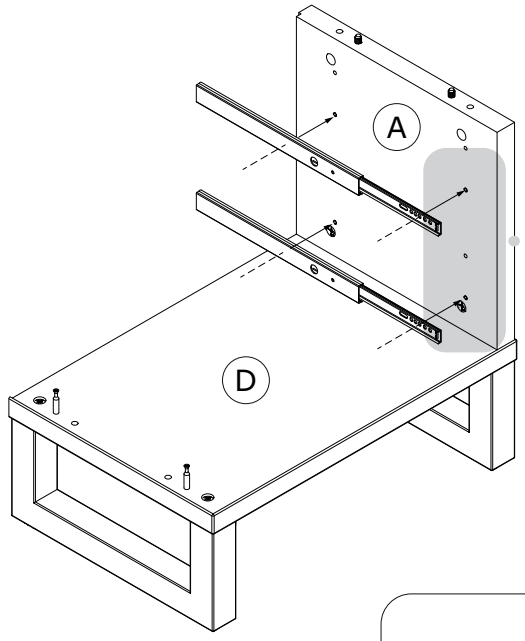
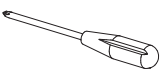
6



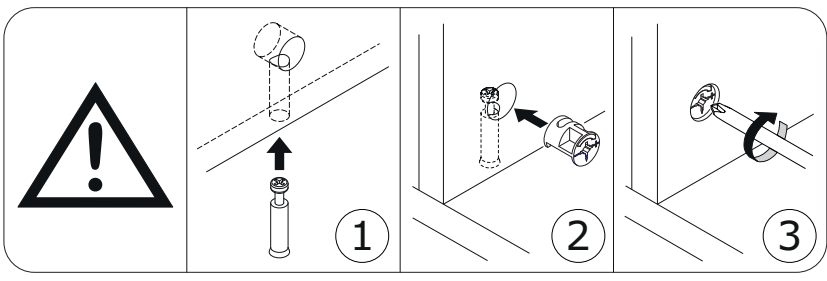
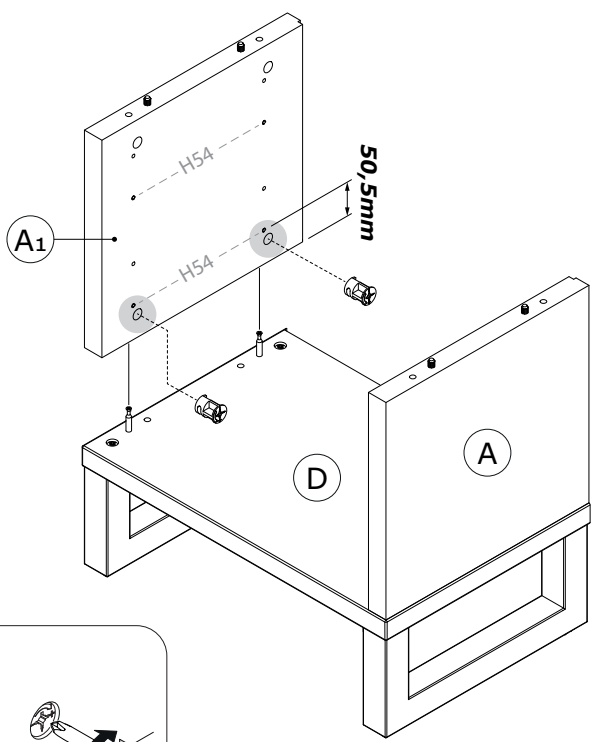
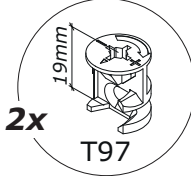
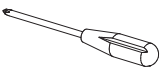
7



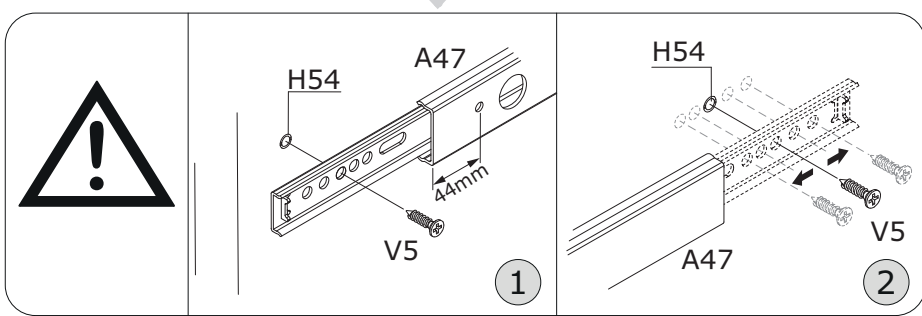
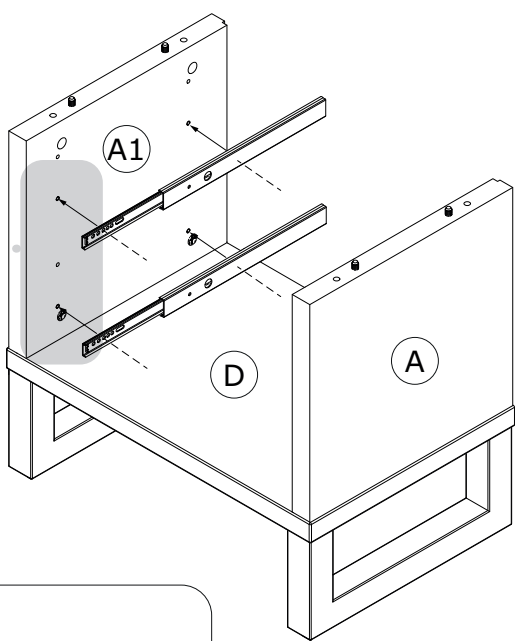
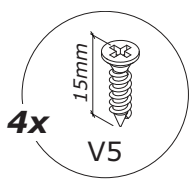
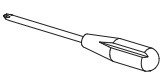
8



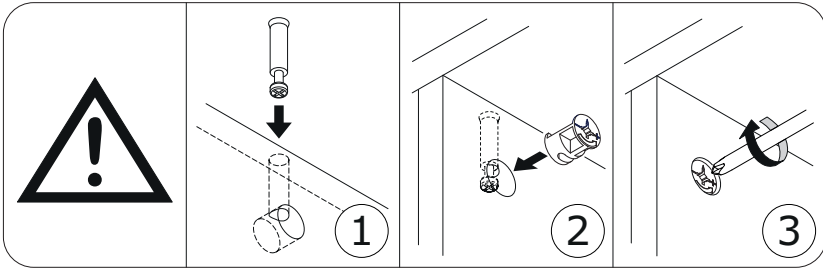
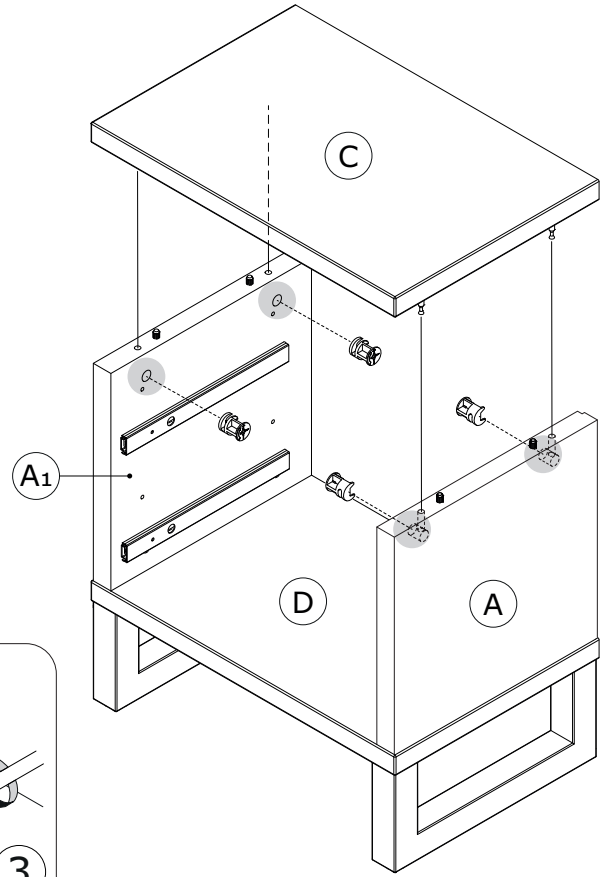
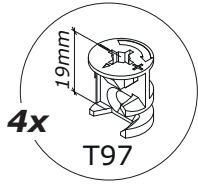
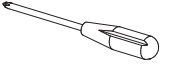
9



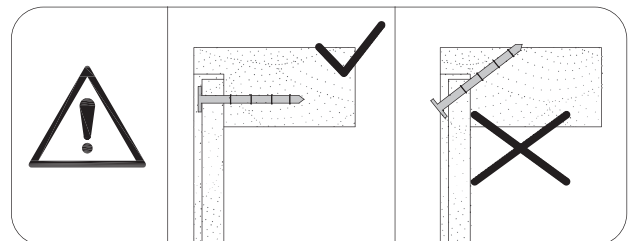
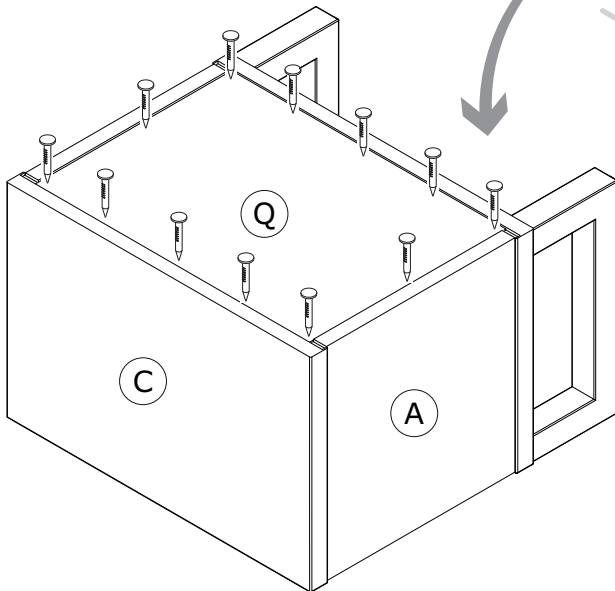
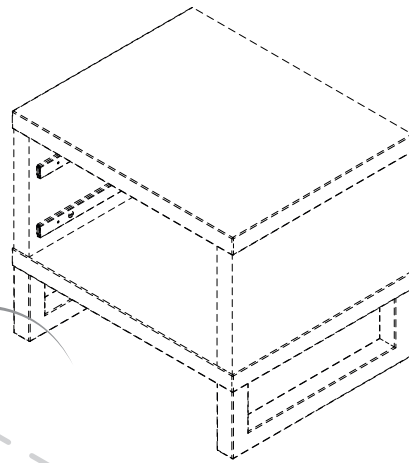
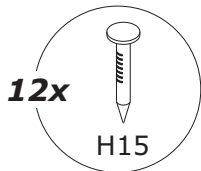
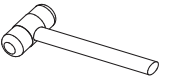
10



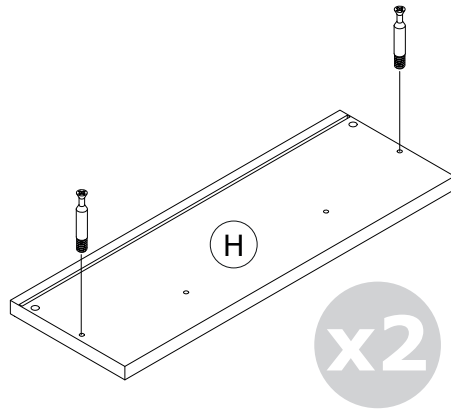
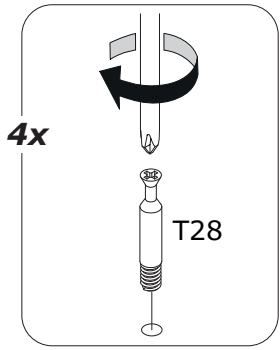
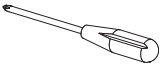
11



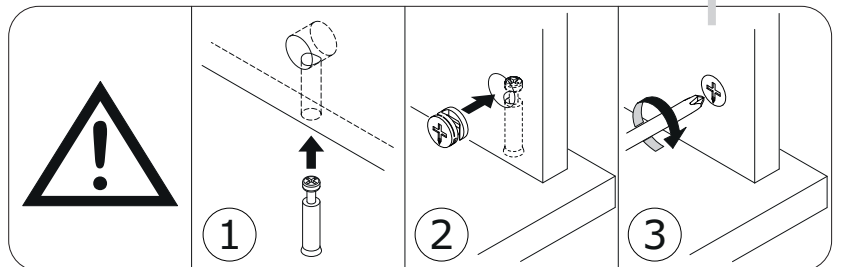
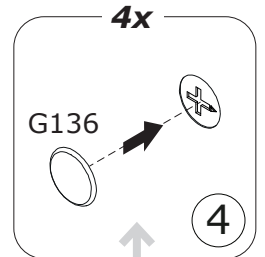
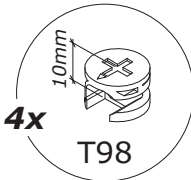
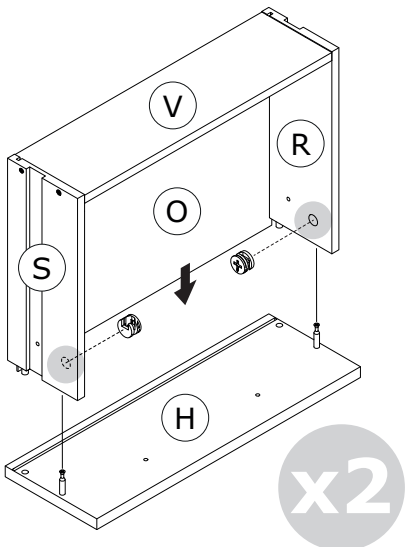
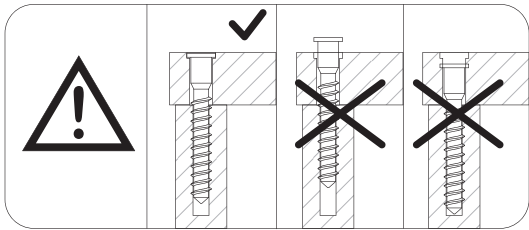
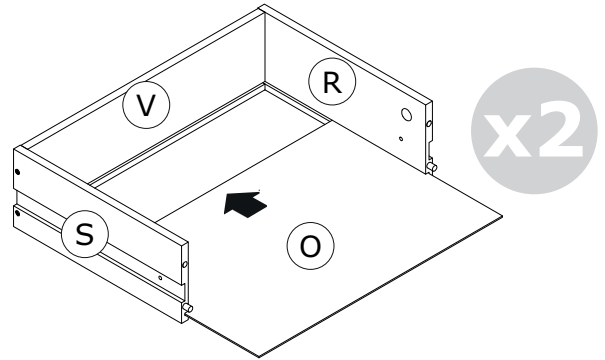
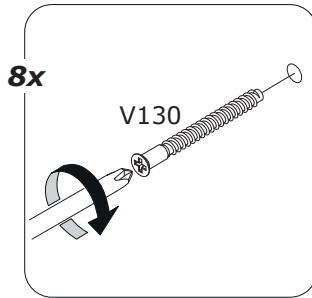
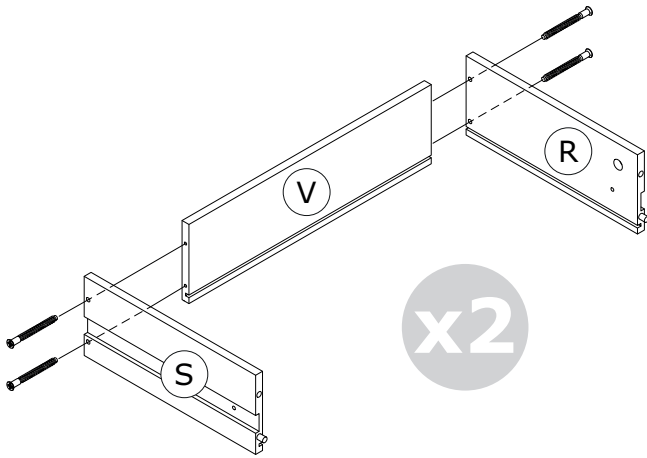
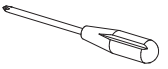
12



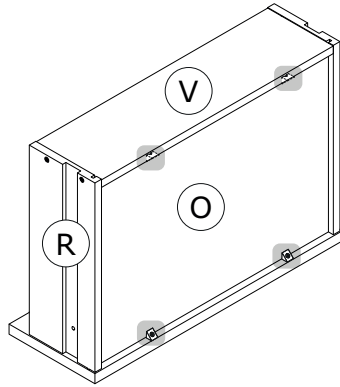
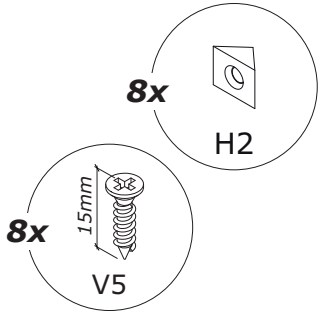
13



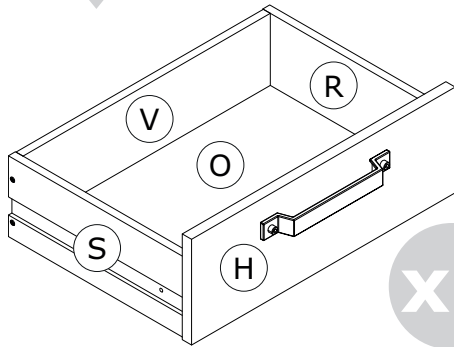
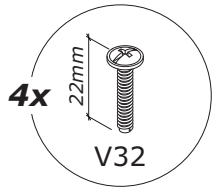
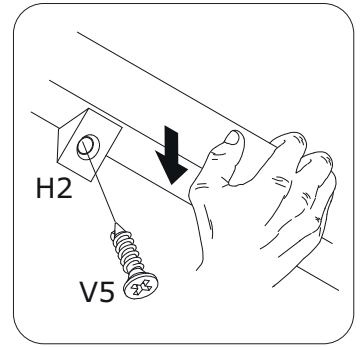
14



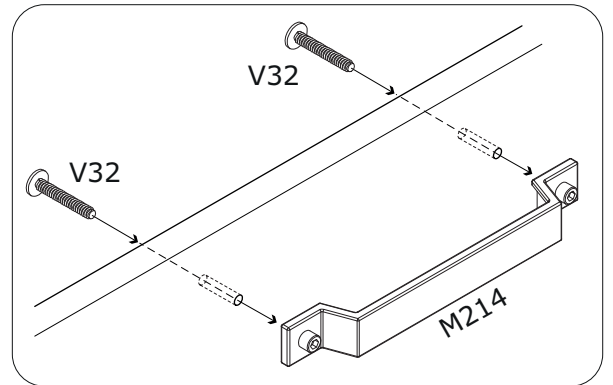
15



x2



x2



16

