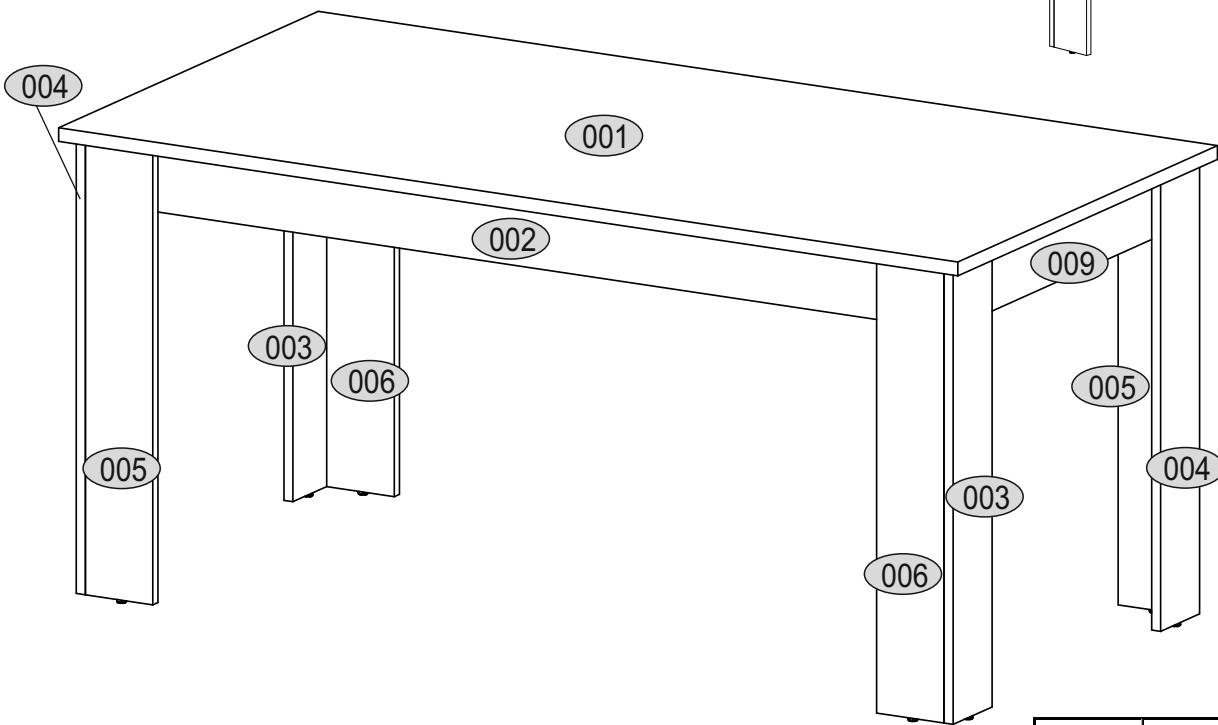
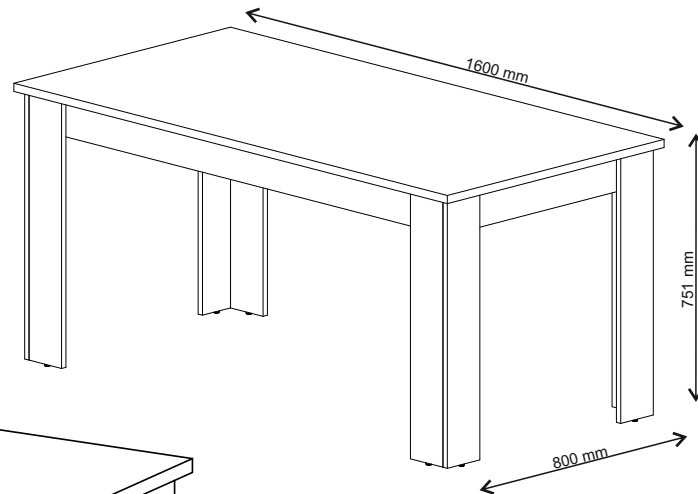
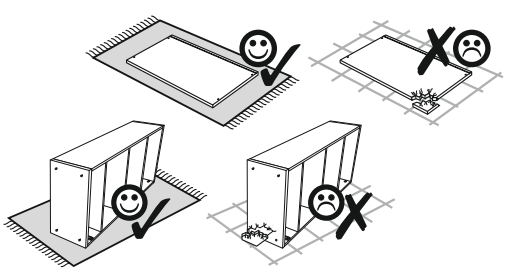
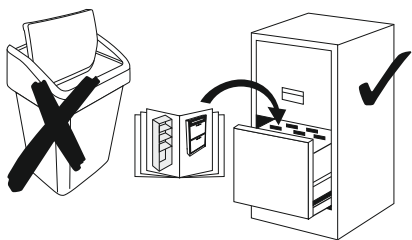
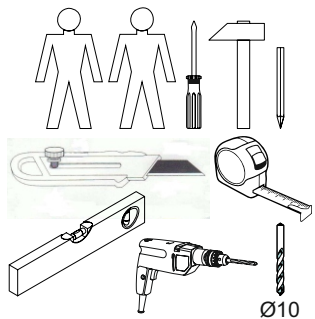
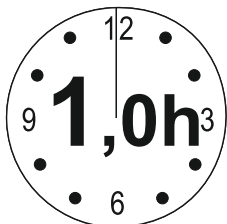








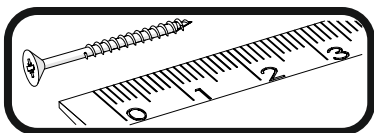
Installation manual

STOL_160

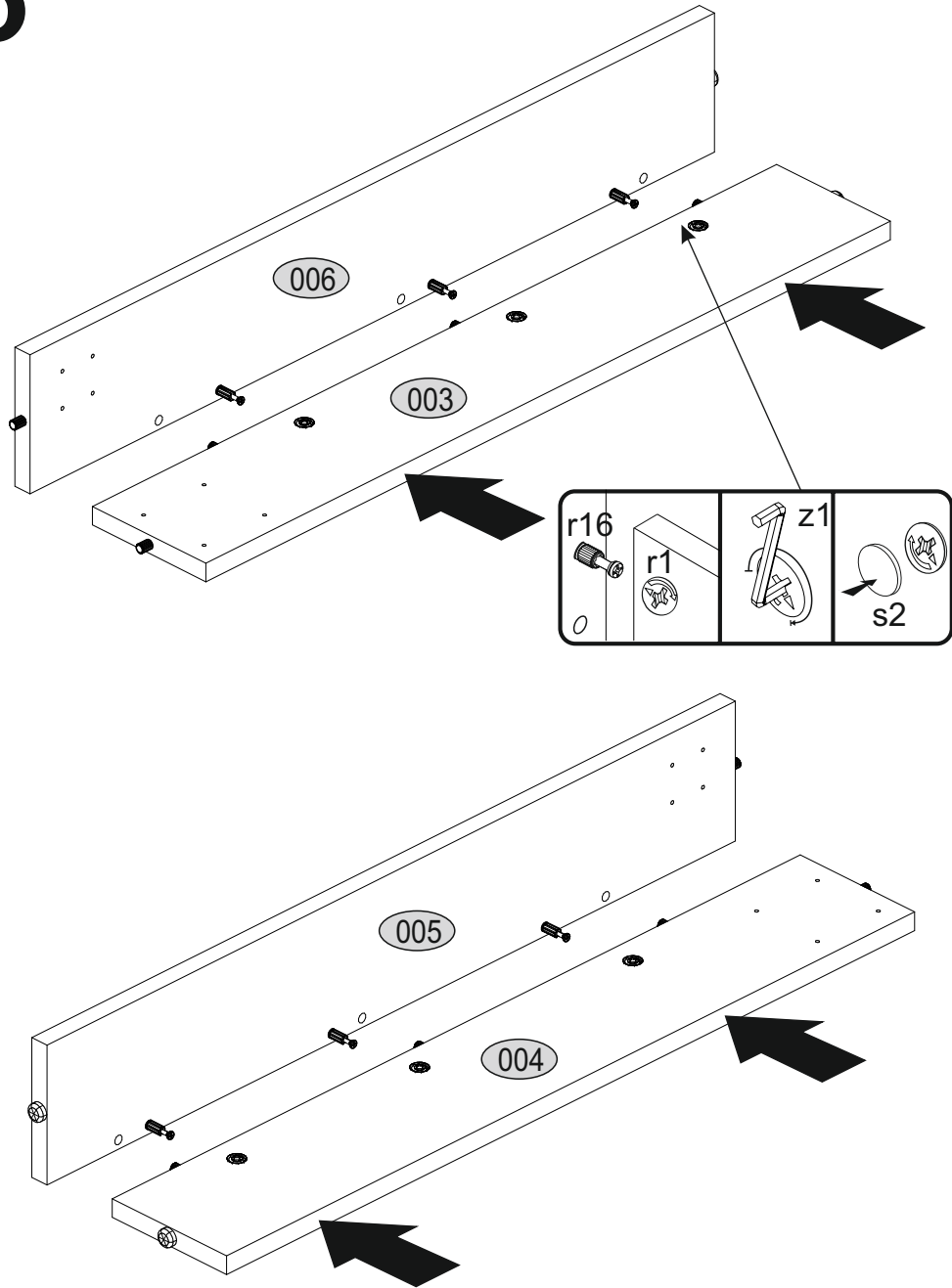


Code	Dimensions			Package	
001	1600	800	22	1	1/1
002	1528	100	16	2	1/1
003	723	120	16	2	1/1
004	723	120	16	2	1/1
006	723	120	16	2	1/1
005	723	120	16	2	1/1
009	696	100	16	1	1/1
accessories				1	1/1

<p>x30 r1</p> <p>Ø 15x12mm</p> 	<p>x30 r16</p> 	<p>x14 s2</p> 	<p>x40 f1</p> <p>Ø 8x30mm</p> 
<p>x32 p21</p> <p>Ø 4x30mm</p> 	<p>x8 k1</p> 		



5



6

