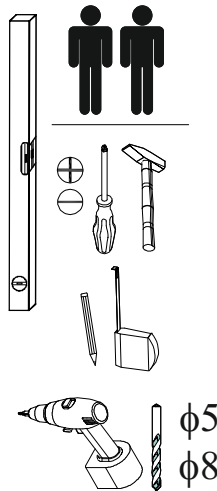
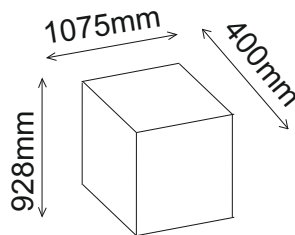
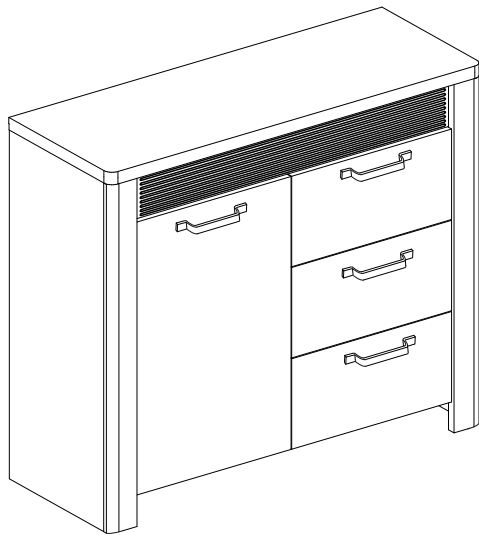


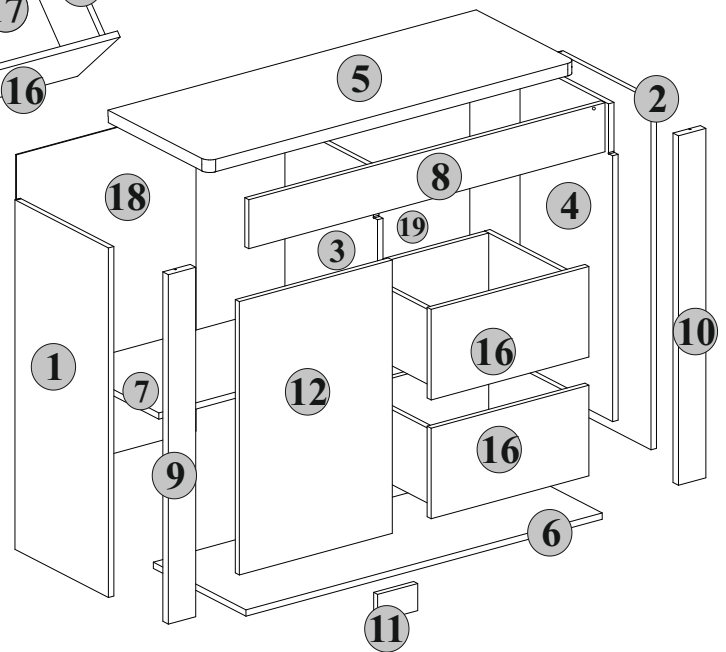
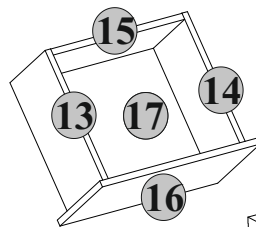
Moris/Mopic/Mopис

Chest of 1D3Drw
Komoda 1D3Sh
Комод 1Д3Ш

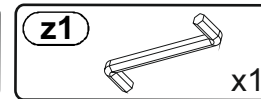
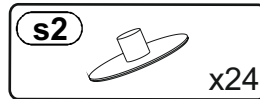
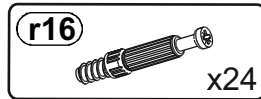
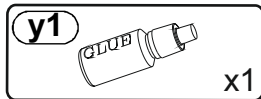
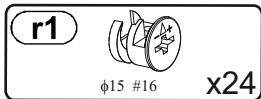
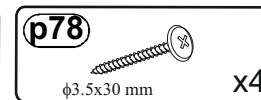
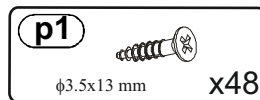
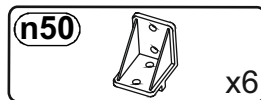
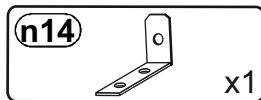
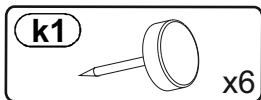
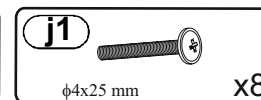
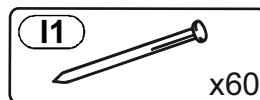
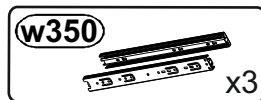
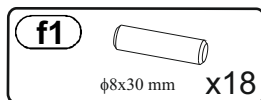
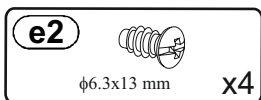
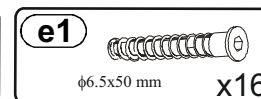
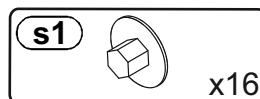
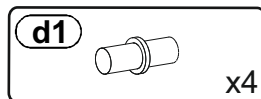
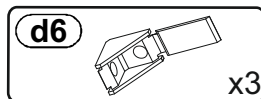
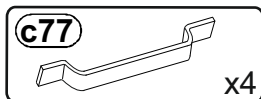
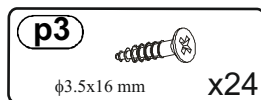
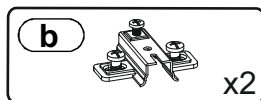
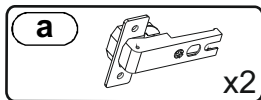
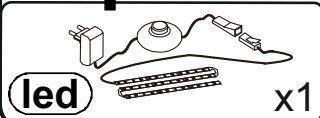


number	Measurements	Pcs.
1	891x375	1
2	891x375	1
3	805x372	1
4	805x372	1
5	1075x400	1
6	1041x372	1
7	507x371	1
8	1041x125	1
9	891x80	1
10	891x80	1

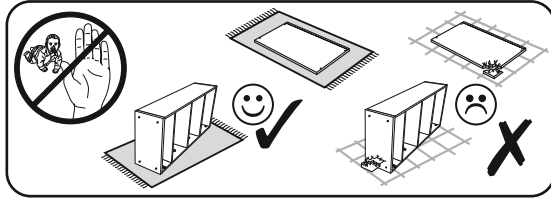
11	69x116	1
12	446x696	1
13	350x190	3
14	350x190	3
15	384x190	3
16	460x230	3
17	394x344	3
18	829x525	1
19	829x535	1






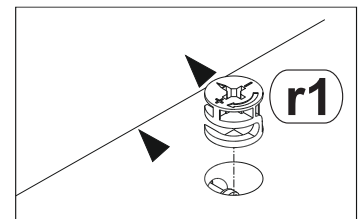
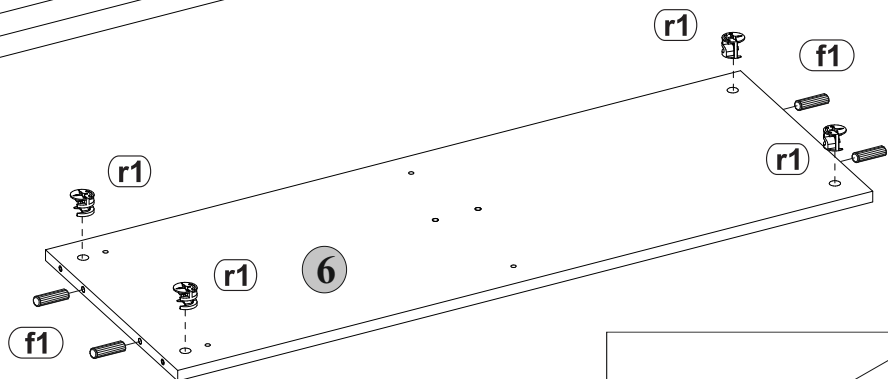
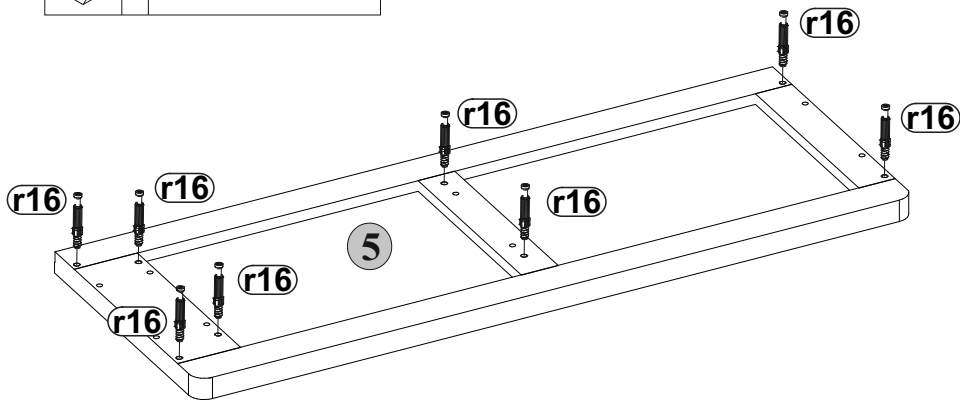
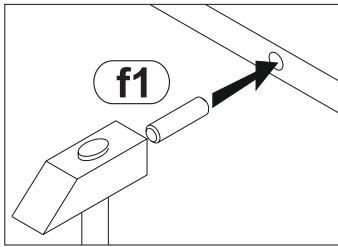
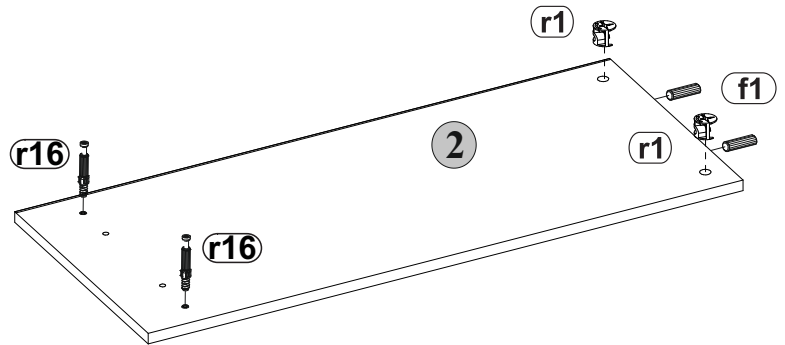
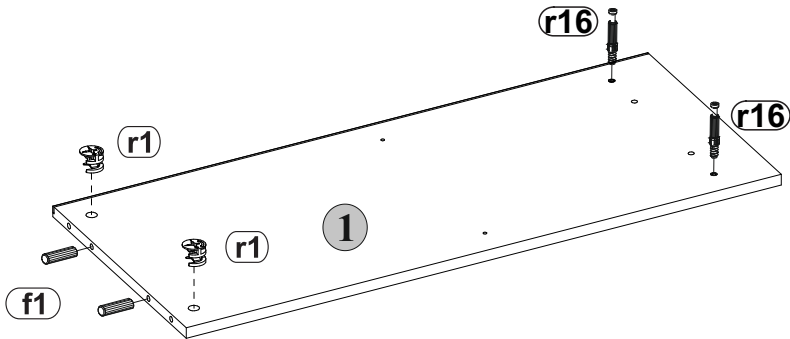
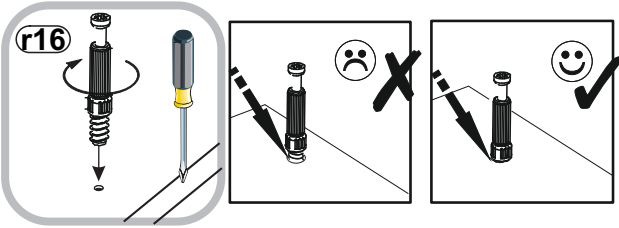
Option



I

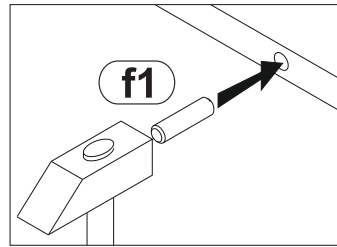
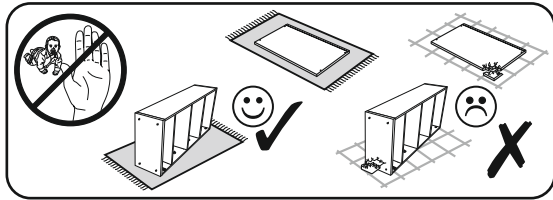



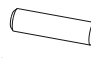

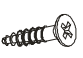
- r1**  $\phi 15 \#16$ x8
- r16**  x12
- f1**  $\phi 8 \times 30$ mm x8

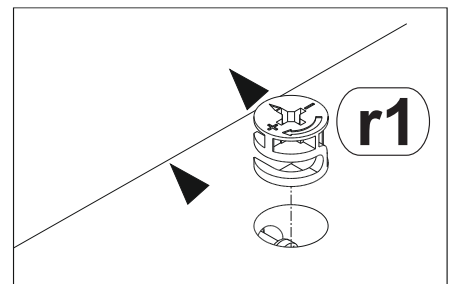
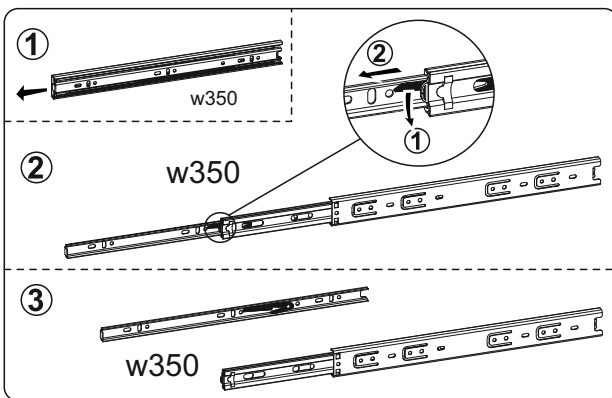
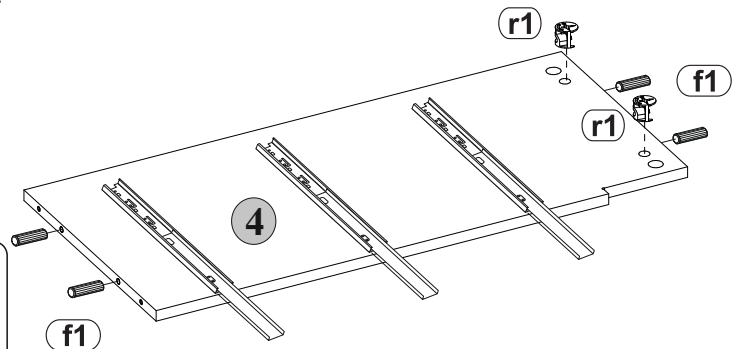
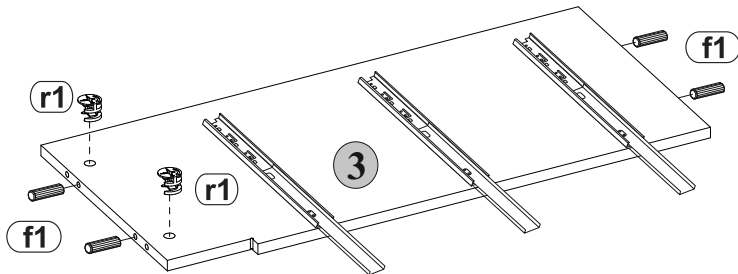


2

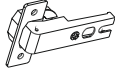

2

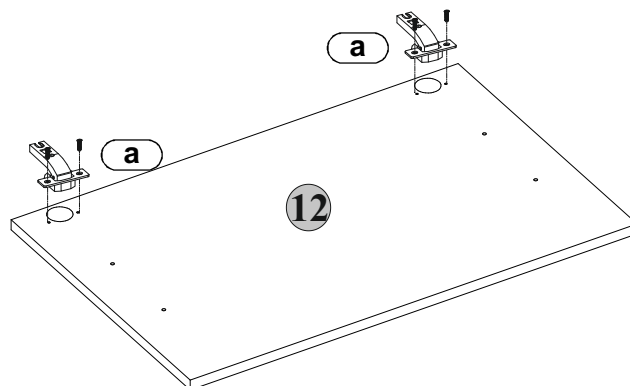
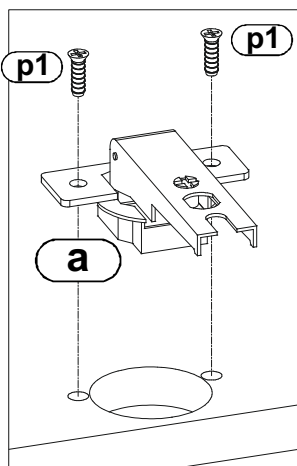


- r1**  $\phi 15 \#16$ x4
- f1**  $\phi 8 \times 30$ mm x8
- w350**  x3
- p1**  $\phi 3.5 \times 13$ mm x18



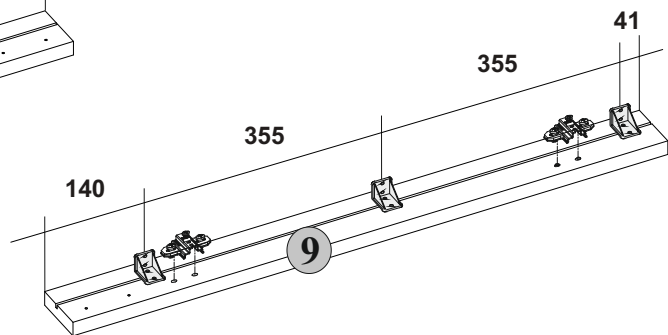
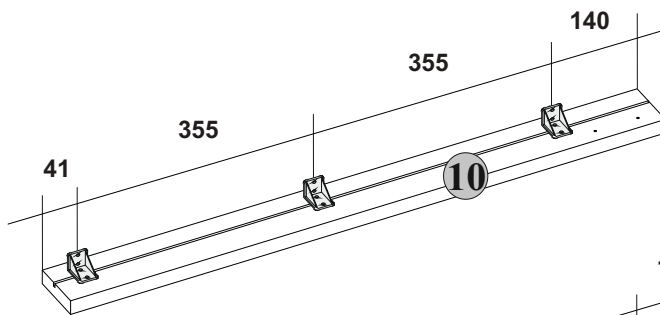
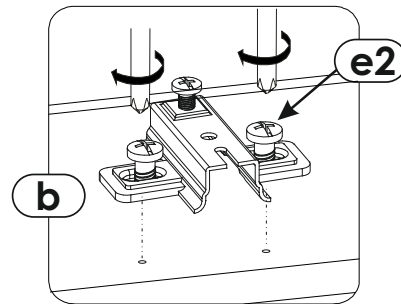
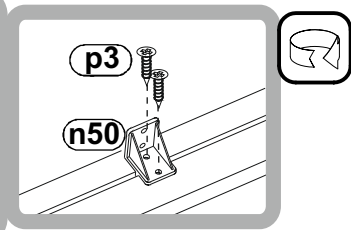
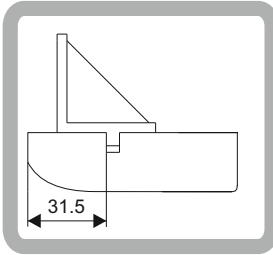
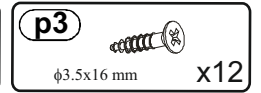
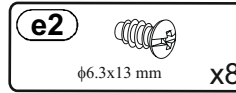
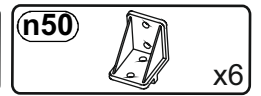
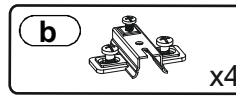
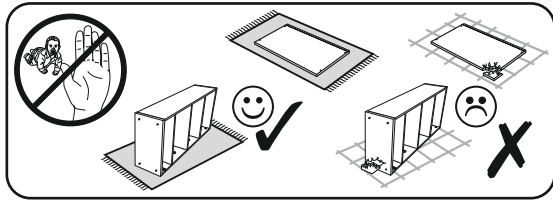
3

- a**  x2
- p1**  $\phi 3.5 \times 13$ mm x4

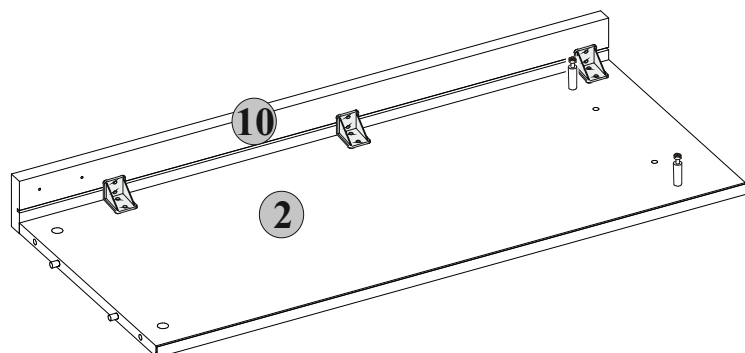
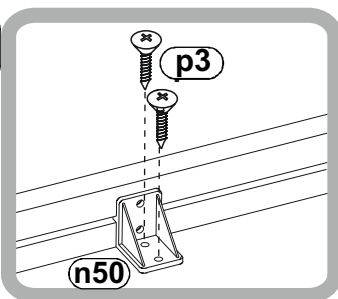
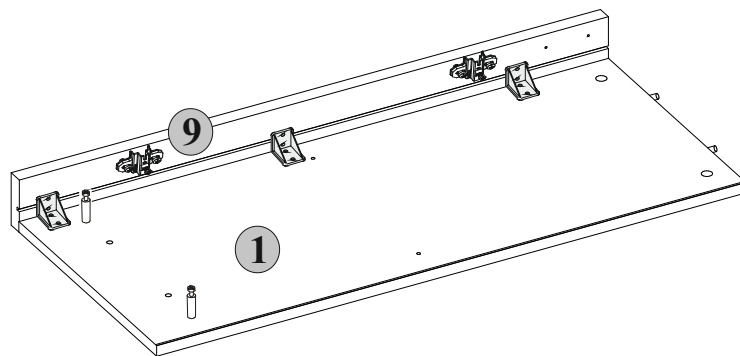
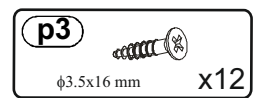


3

4

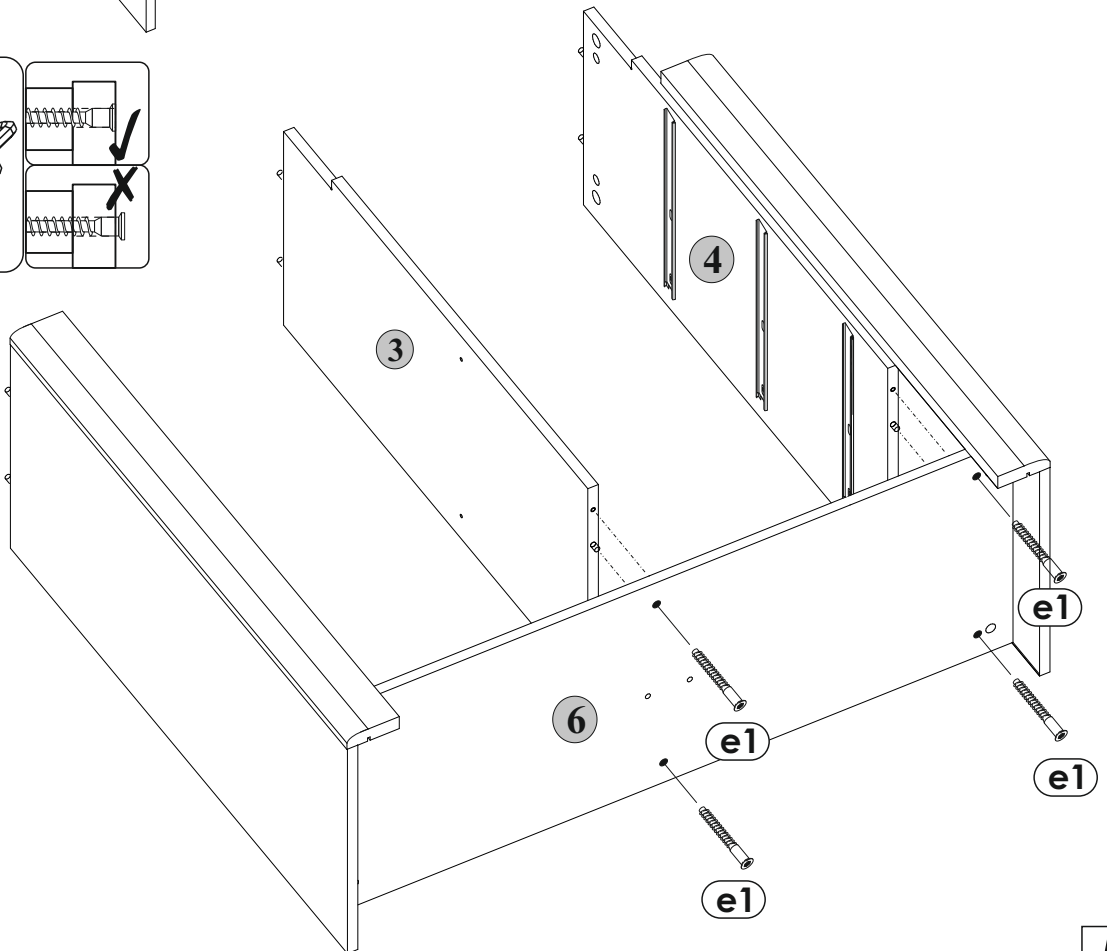
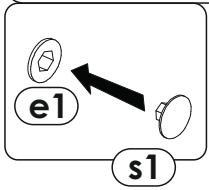
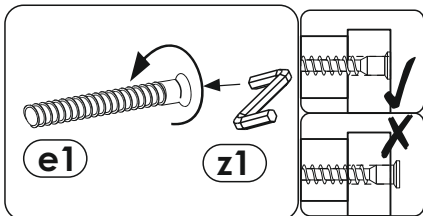
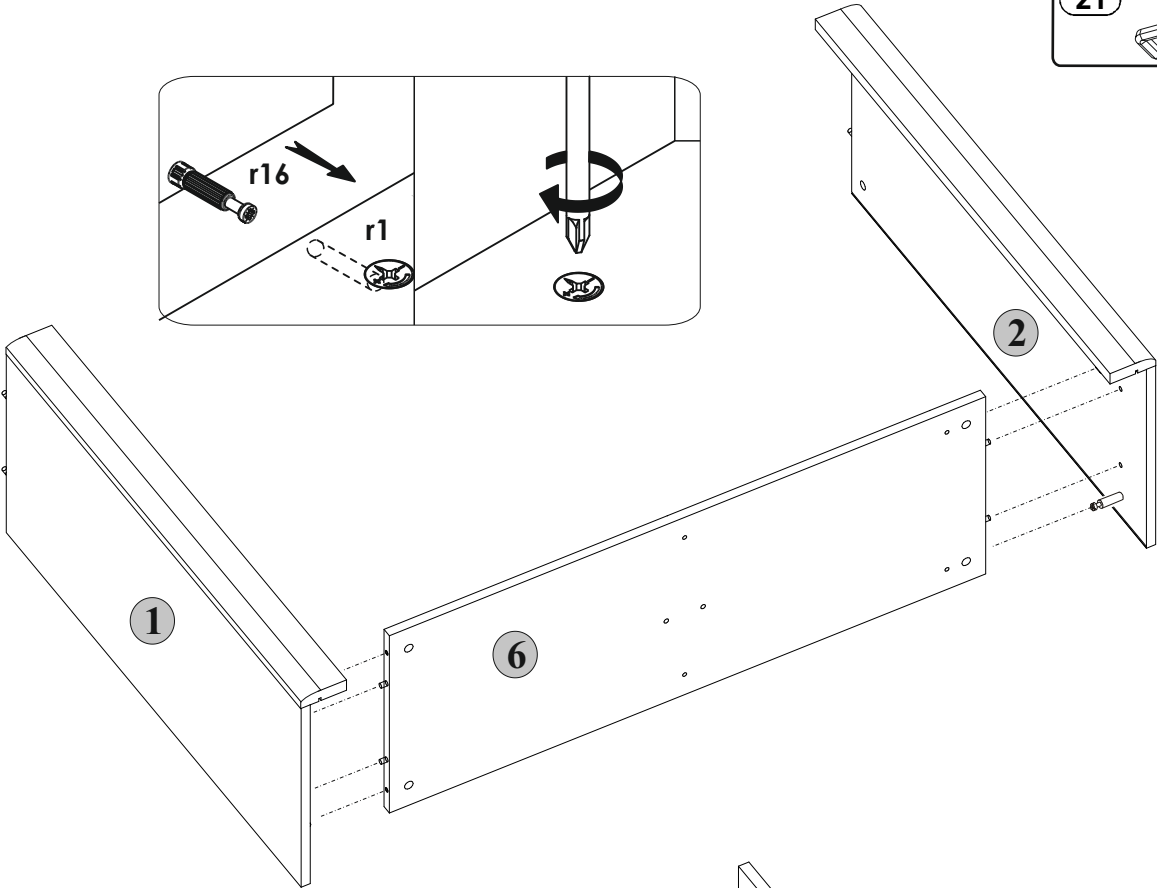
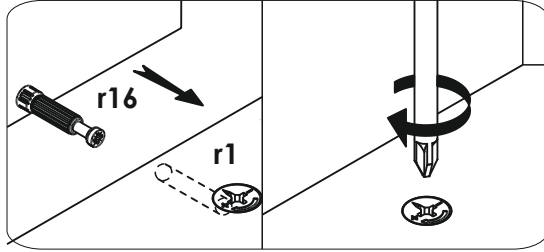
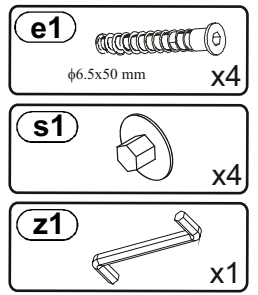
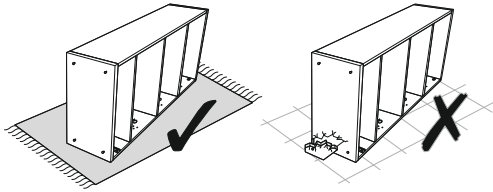


5



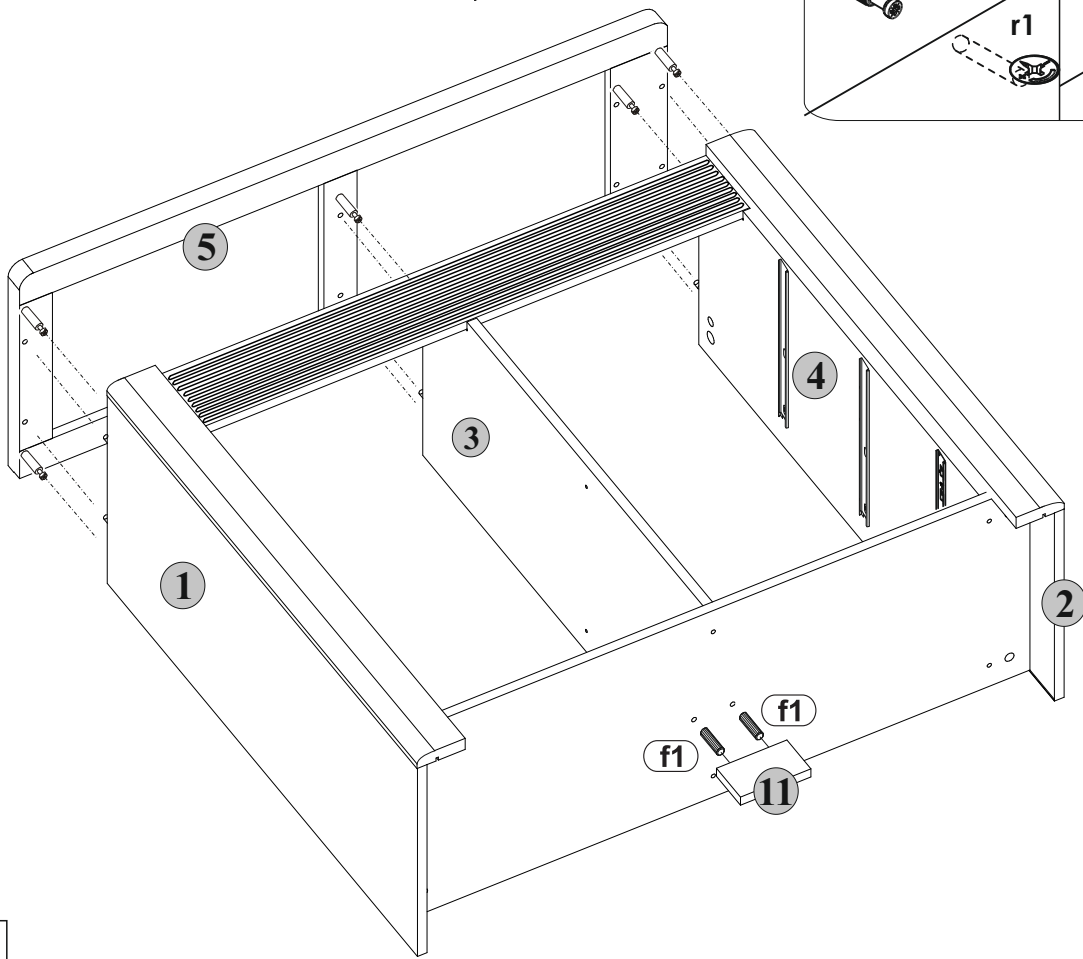
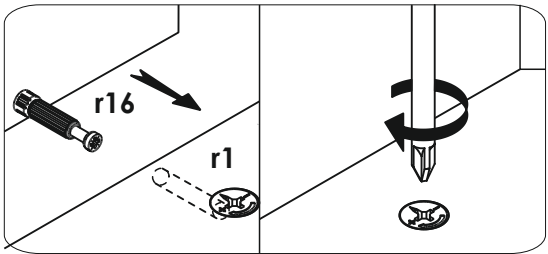
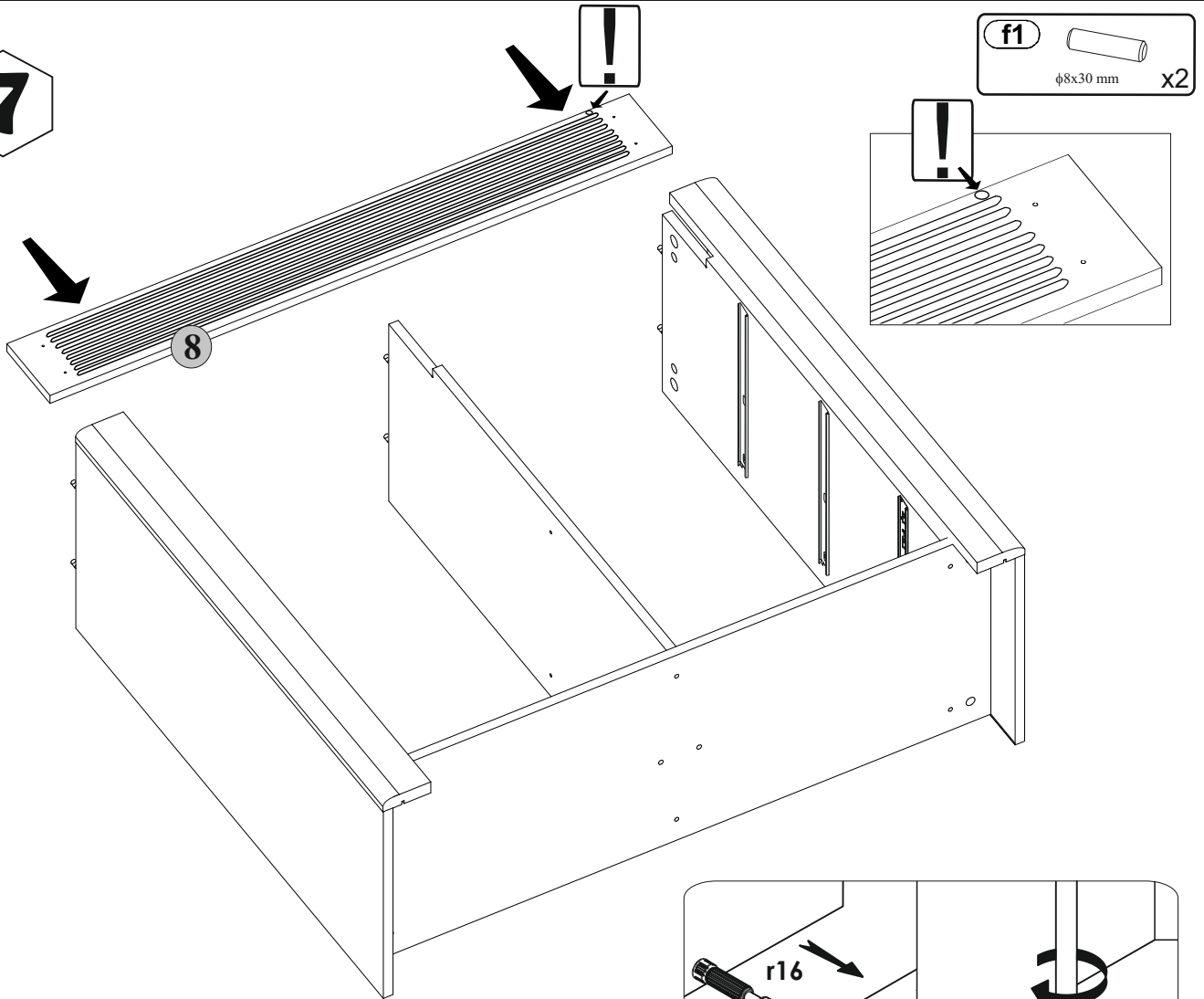
4

6



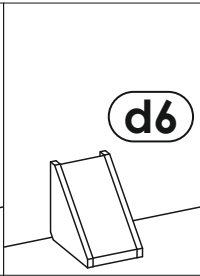
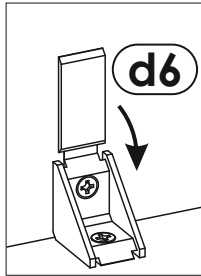
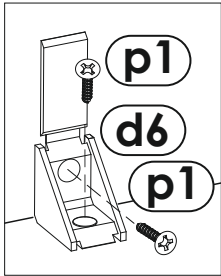
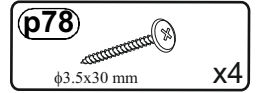
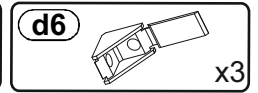
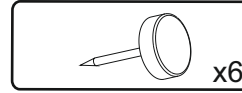
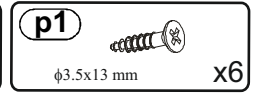
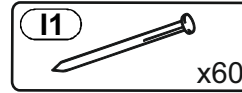
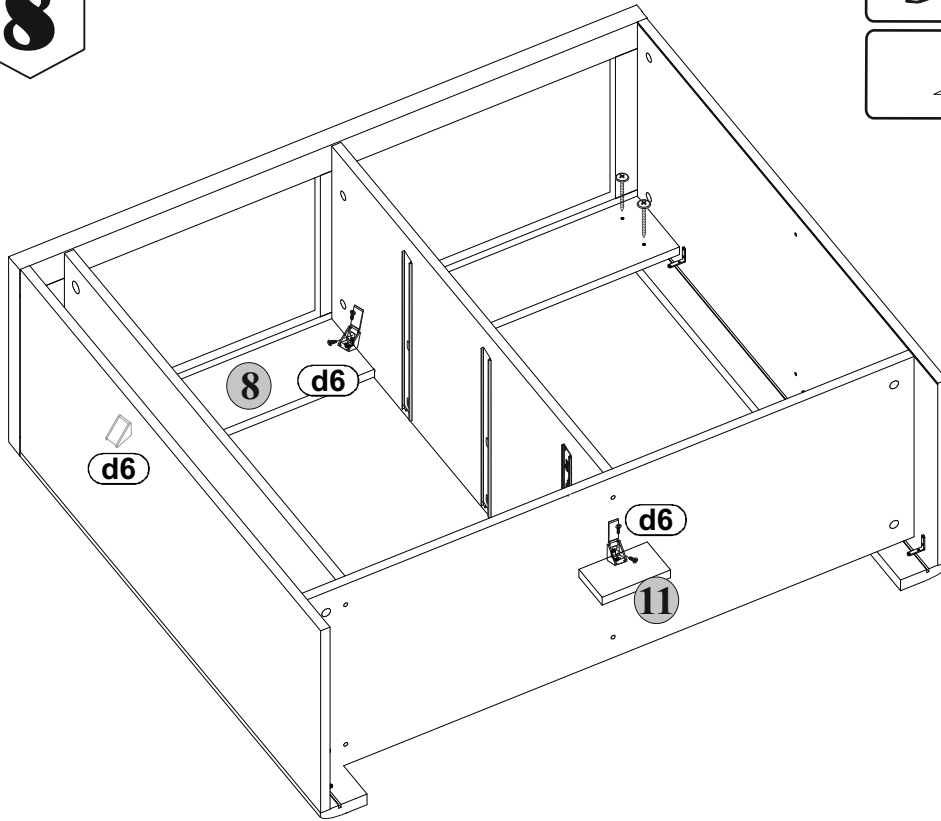
5

7

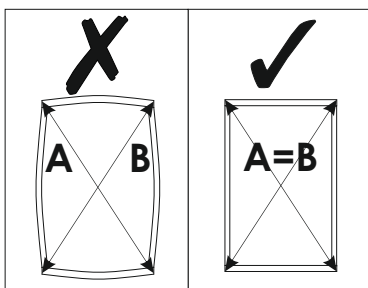
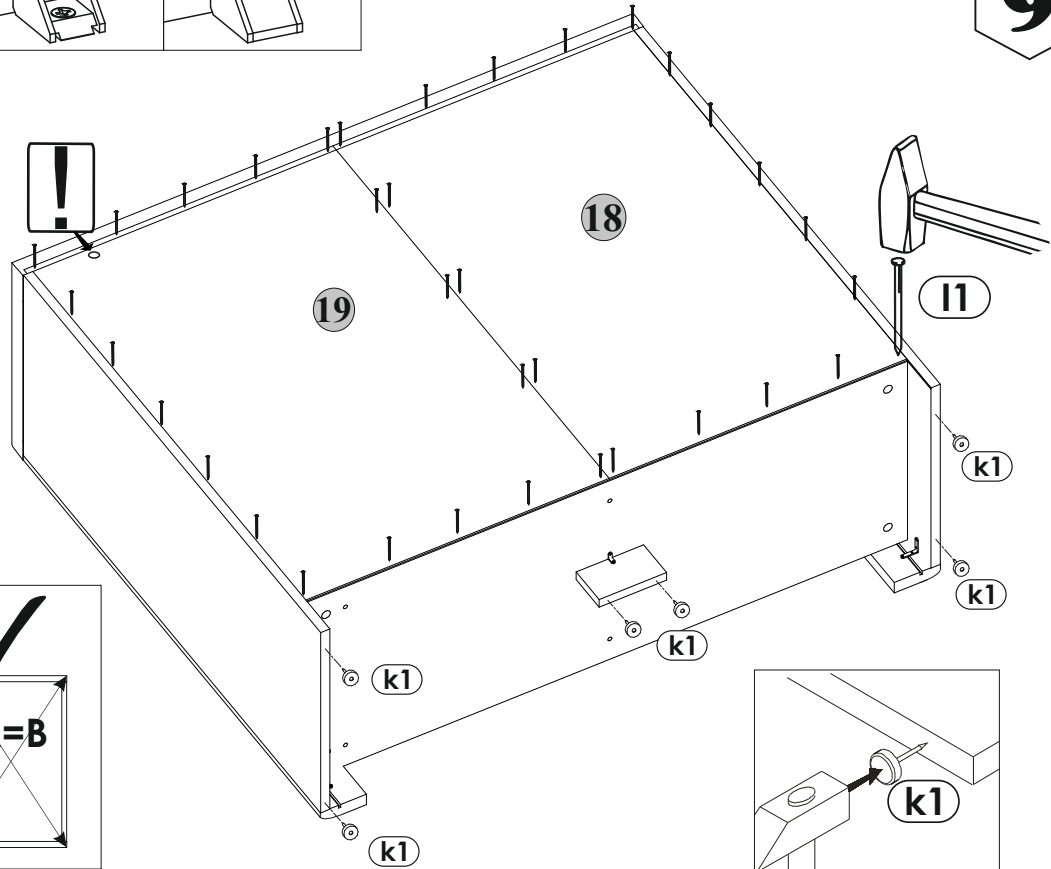


6

8



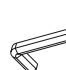





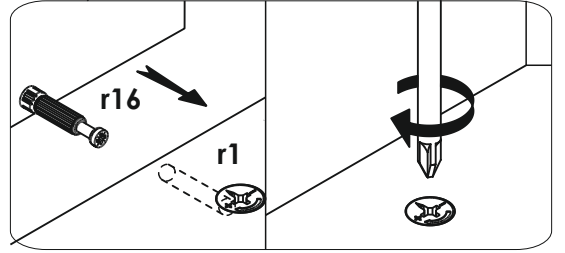
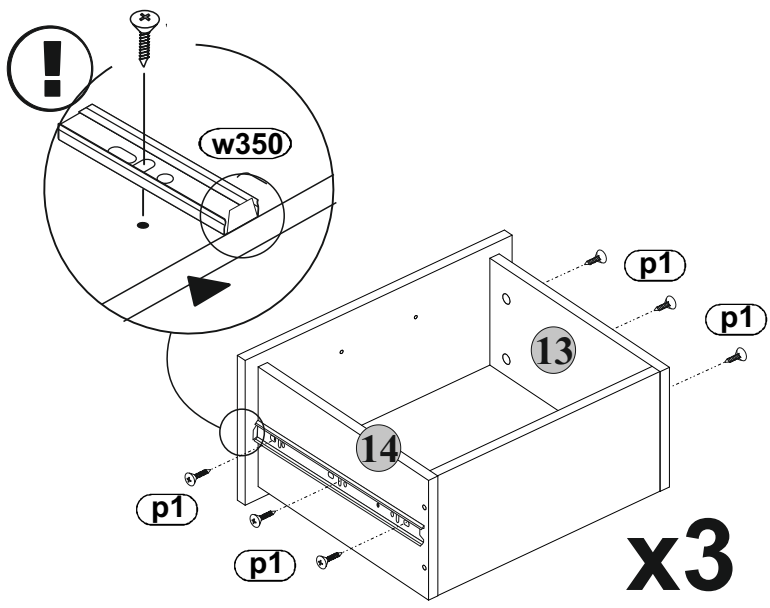
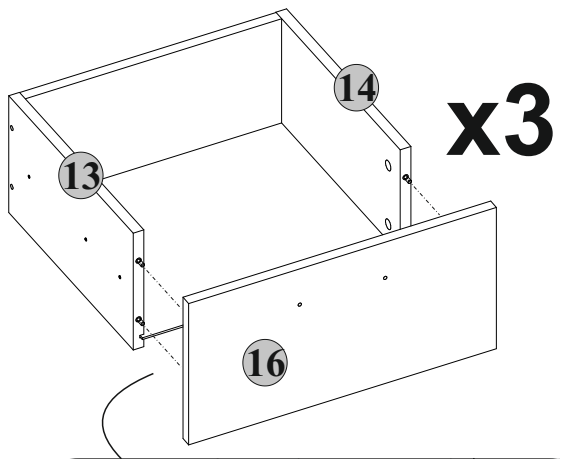
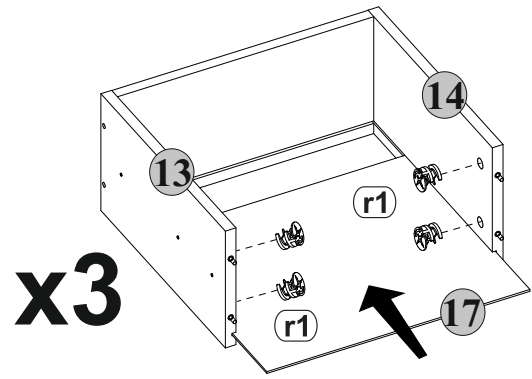
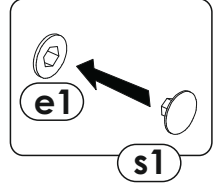
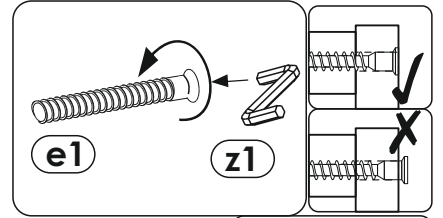
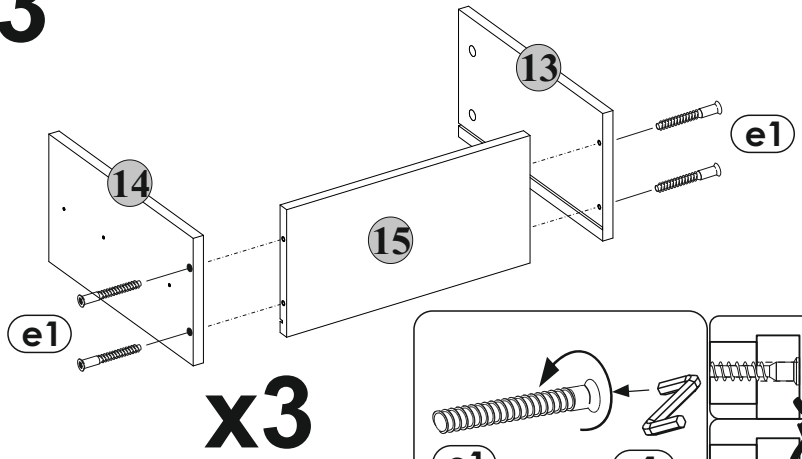
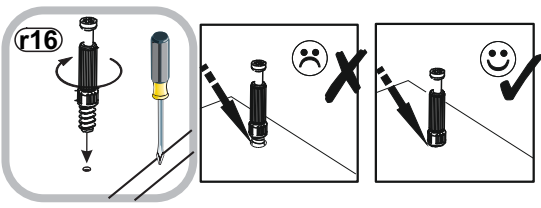
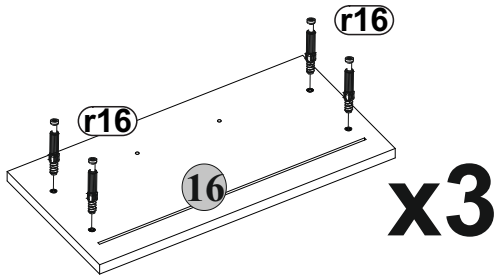
9



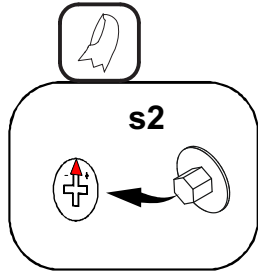
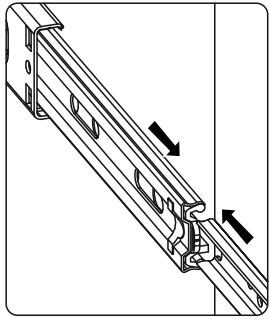
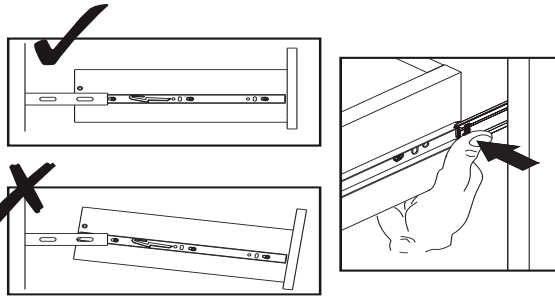
7



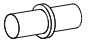

10

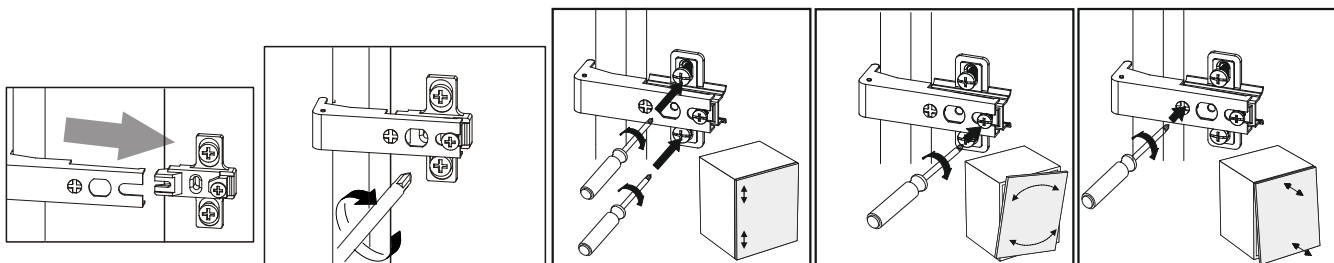
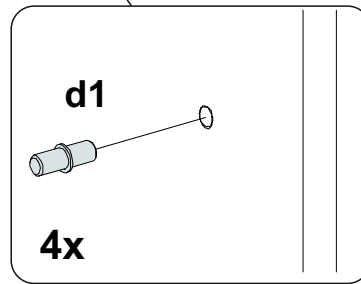
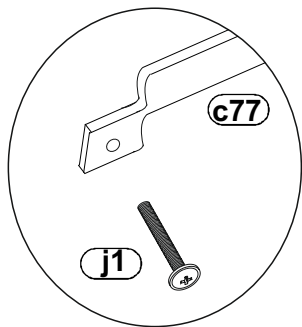
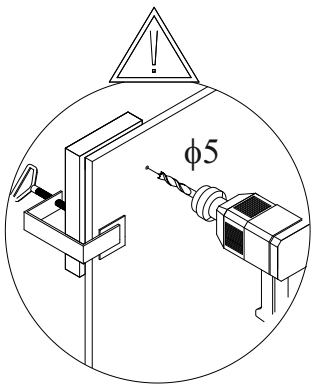
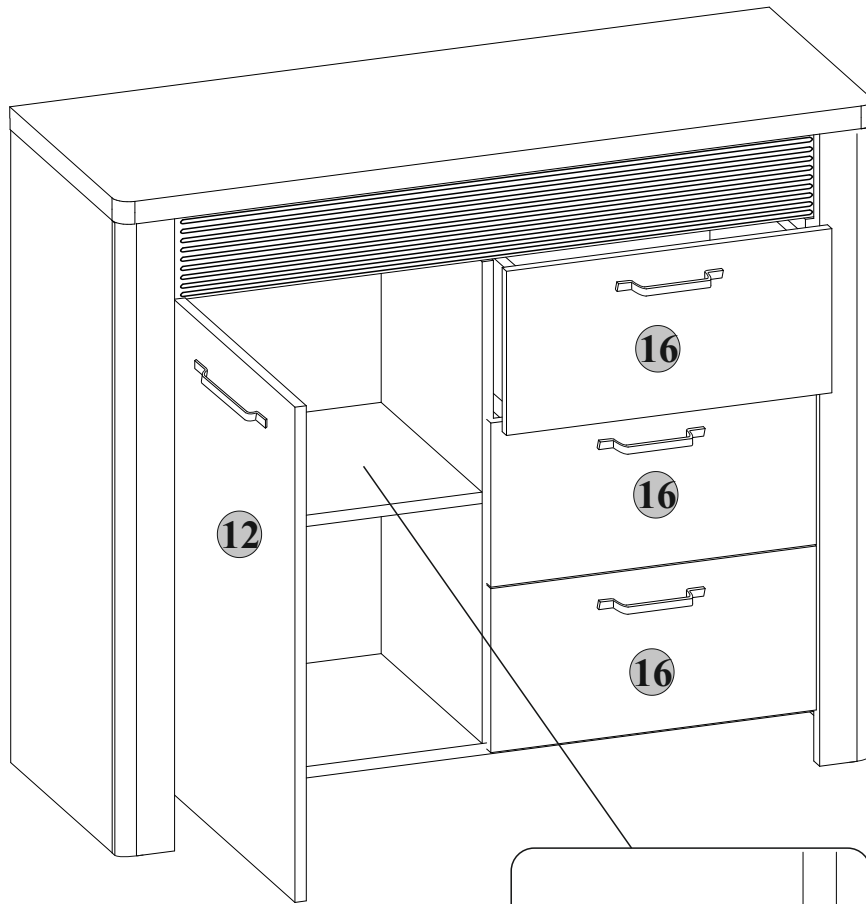
- e1**  $\phi 6.5 \times 50$ mm x12
- r1**  $\phi 15$ #16 x12
- z1**  x1
- r16**  x12
- s1**  x12
- p1**  $\phi 3.5 \times 13$ mm x18



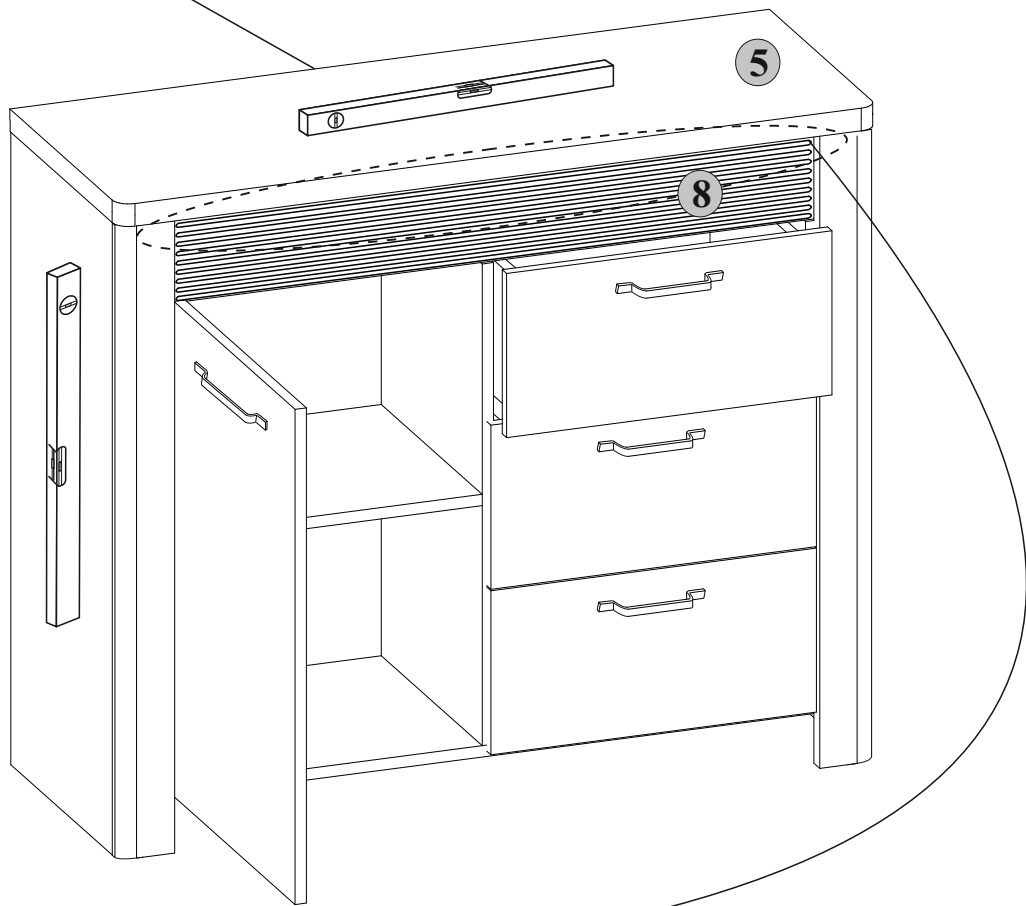
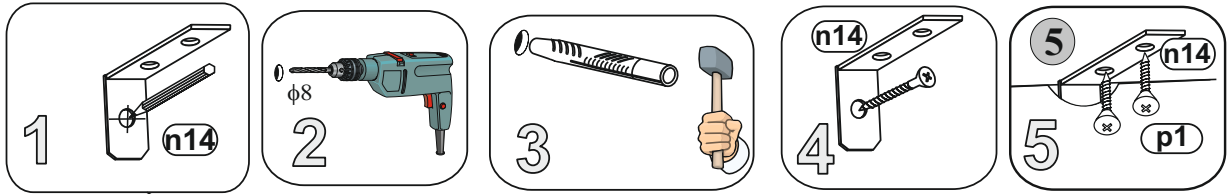
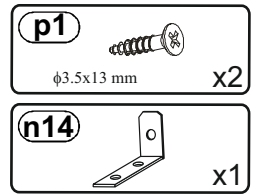
11



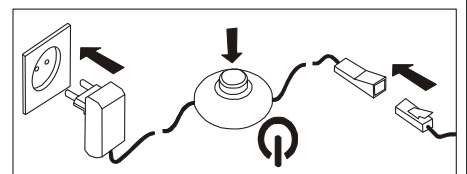
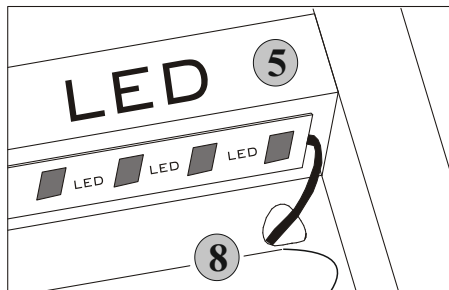
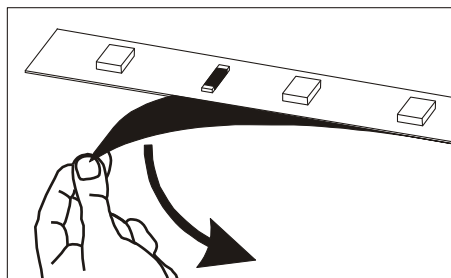
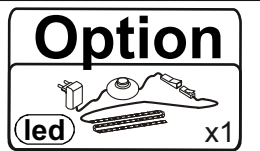
- c77**  x4
- j1**  $\phi 4 \times 25$ mm x8
- d1**  x4
- s2**  x24



12



OPTION



10