

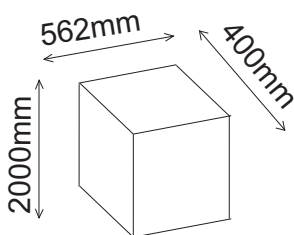
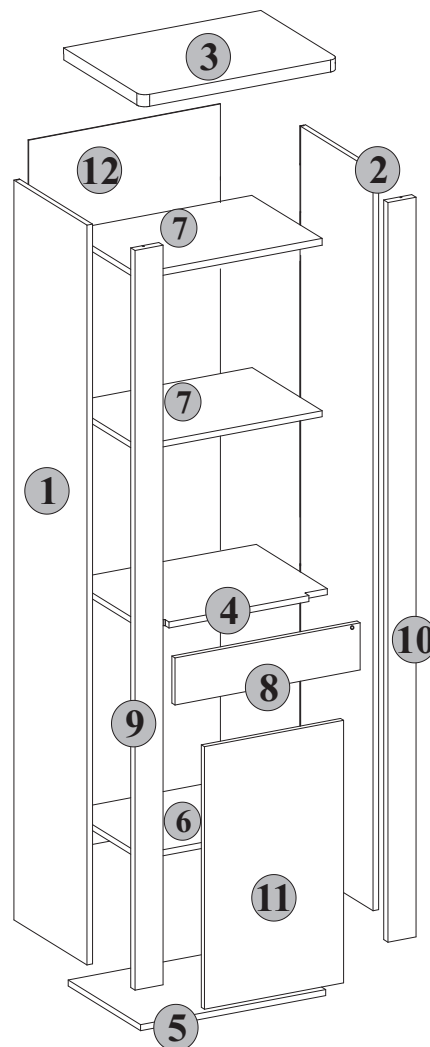
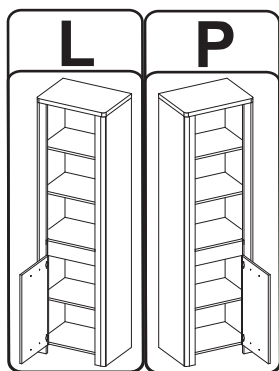
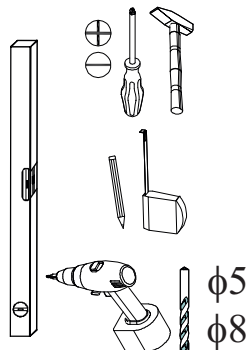
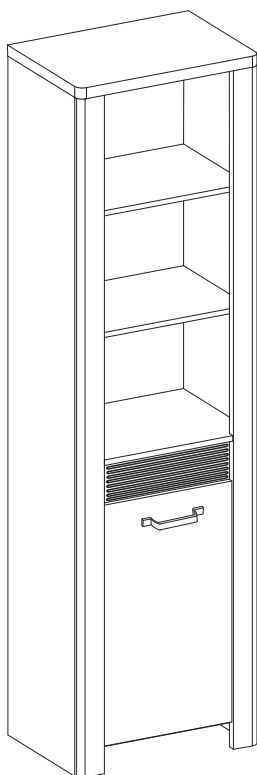
# Moris

## Regał 1D

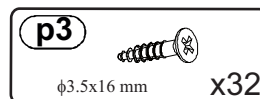
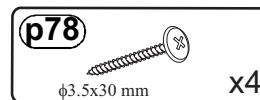
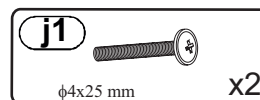
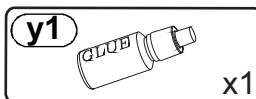
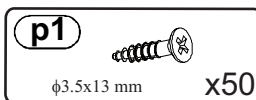
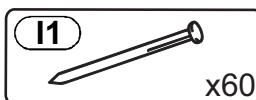
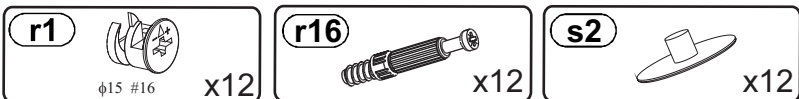
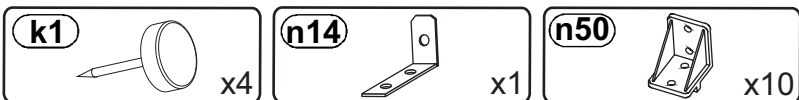
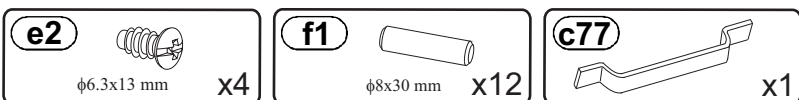
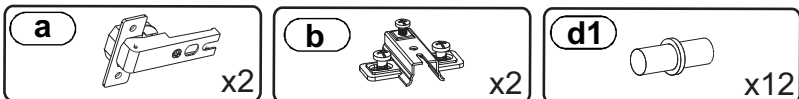
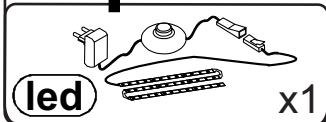


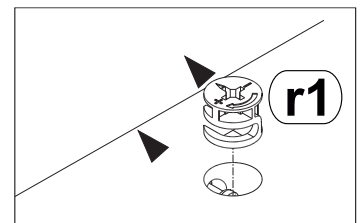
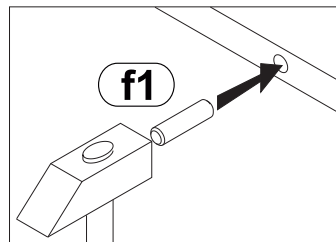
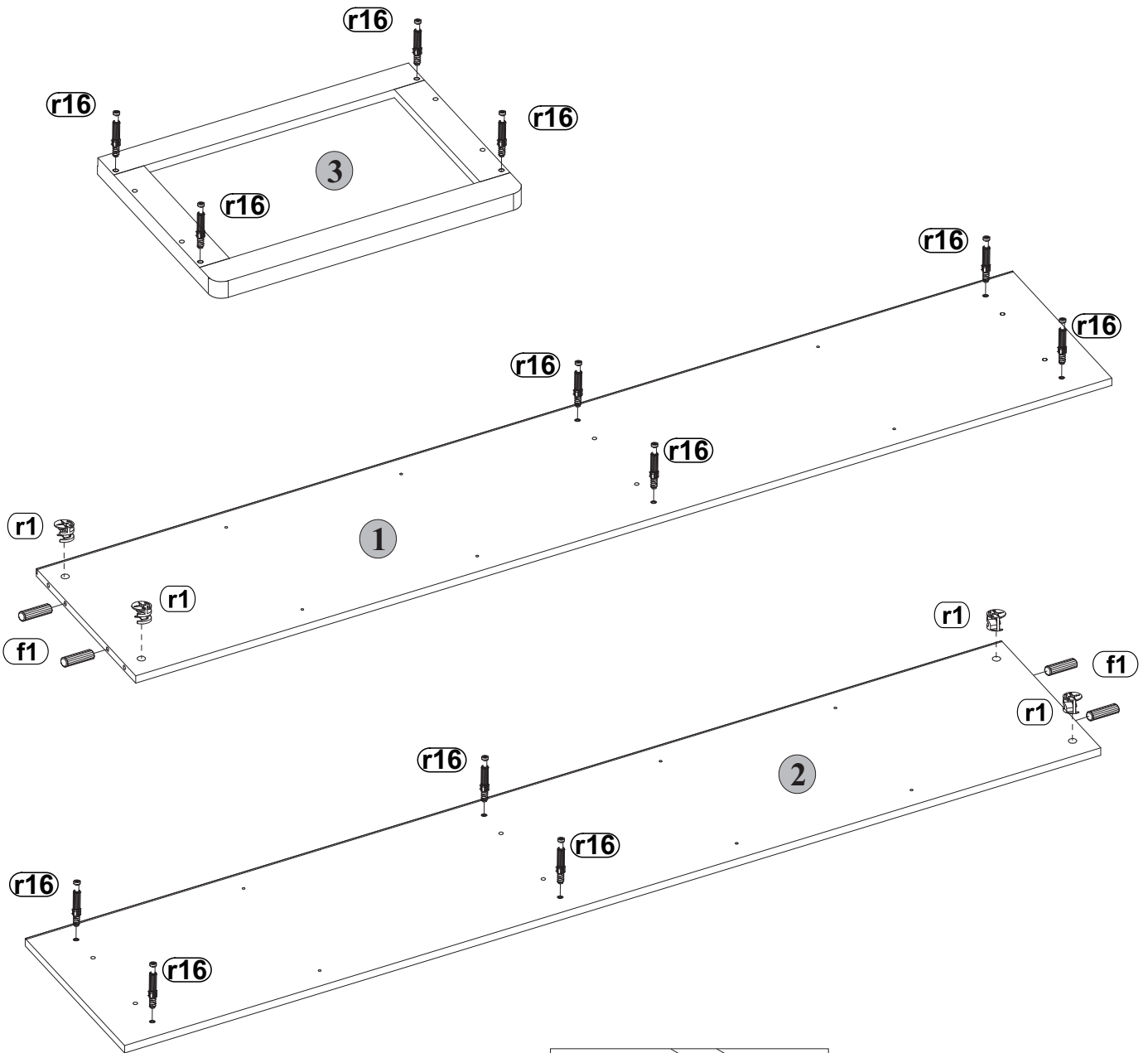
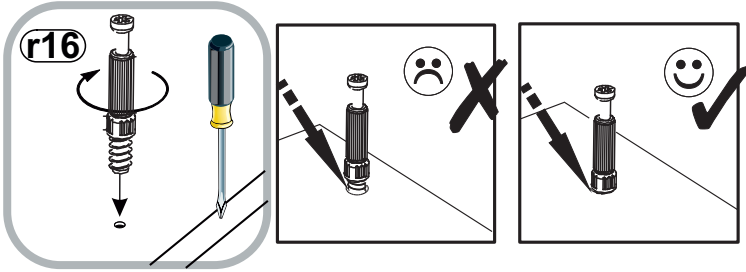
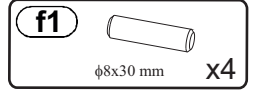
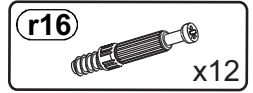
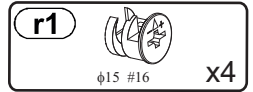
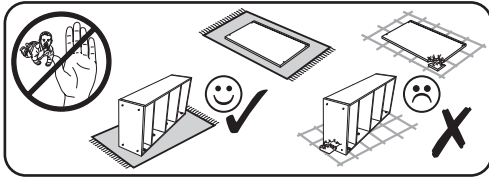
number	Measurements	Pcs.
1	1964x375	1
2	1964x375	1
3	562x400	1
4	528x392	1
5	528x372	1
6	527x371	1
7	527x371	2
8	528x125	1
9	1964x80	1
10	1964x80	1

11	396x696	1
12	1902x547	1



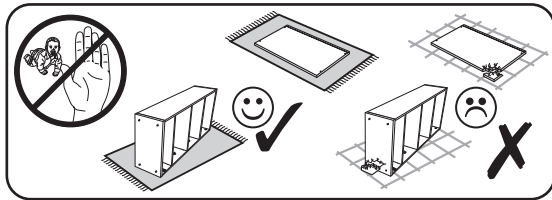
### Option




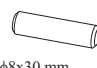


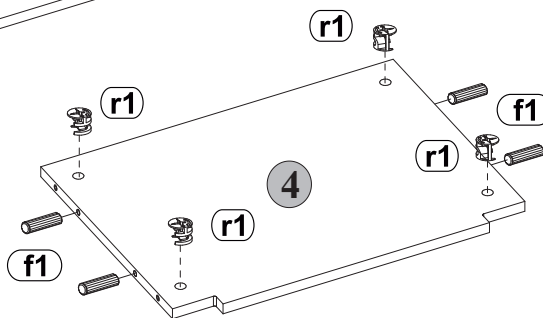
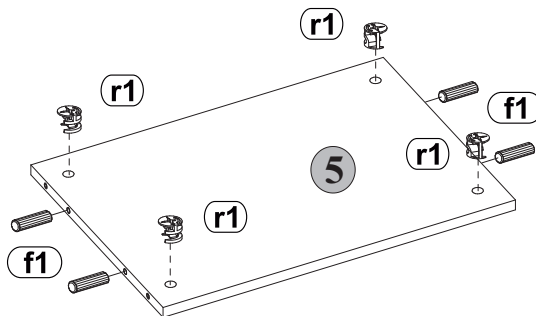
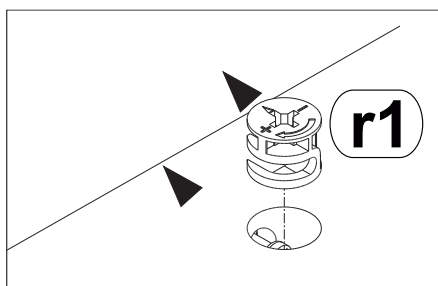
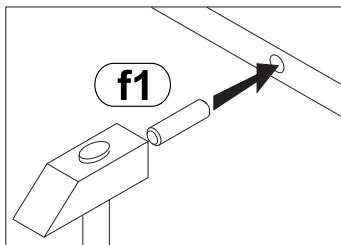
2

# 2

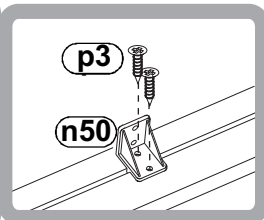
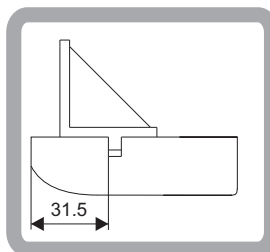
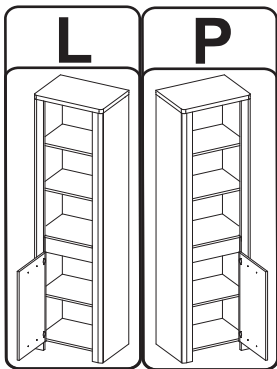


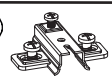
**r1**   $\phi 15 \#16$  x8


**f1**   $\phi 8 \times 30$  mm x8

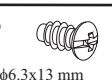


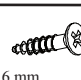
# 3 P

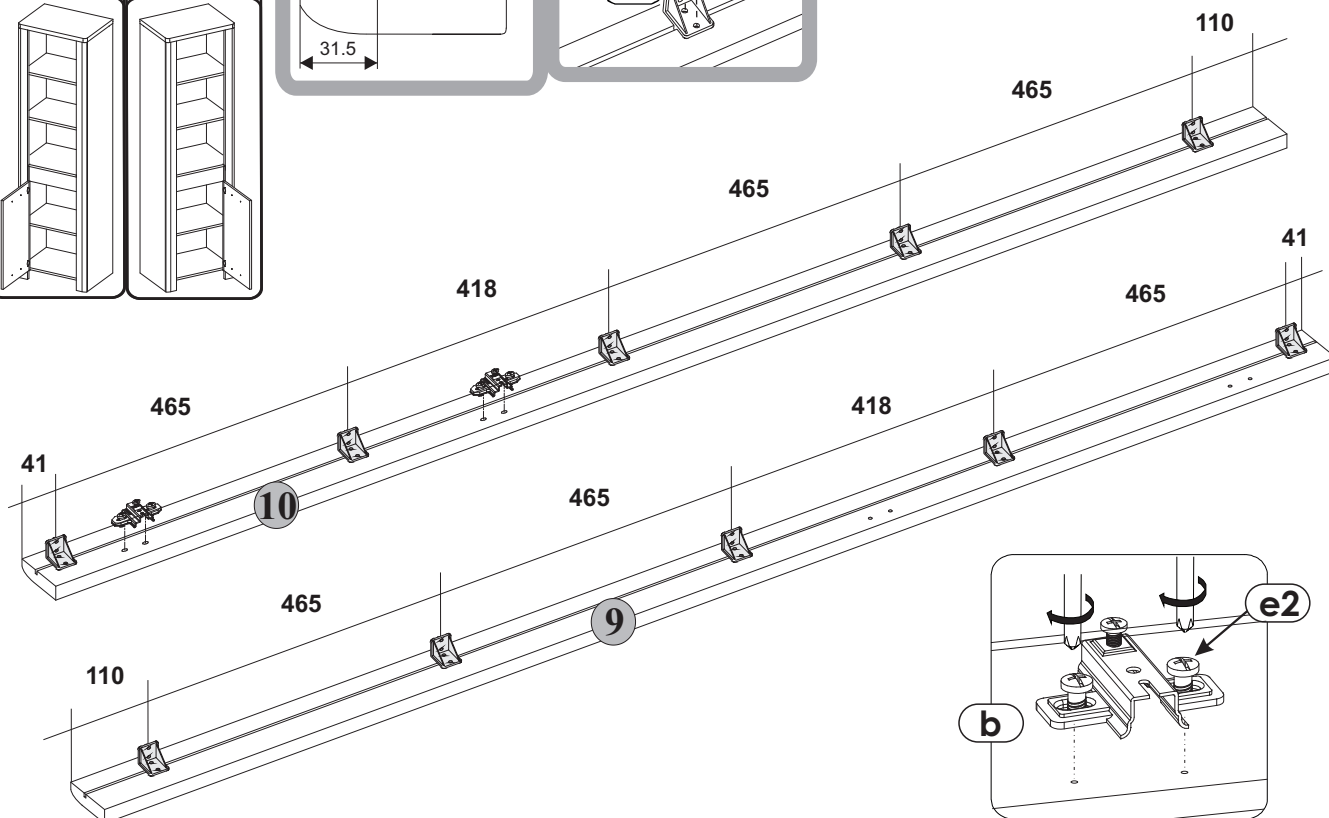


**b**  x2

**n50**  x10

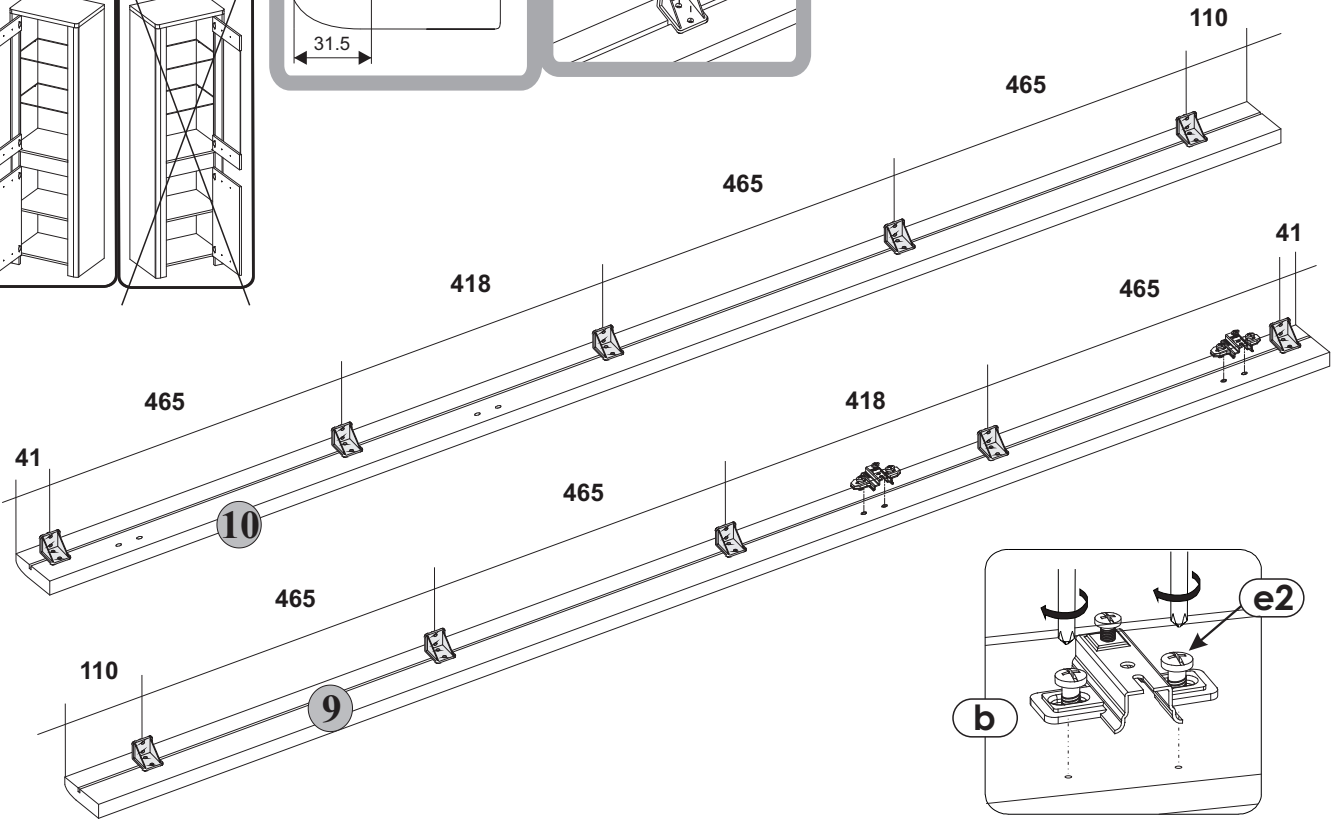
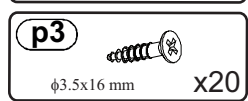
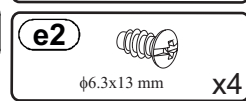
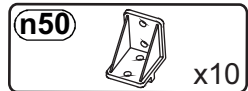
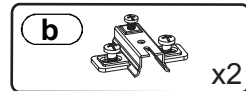
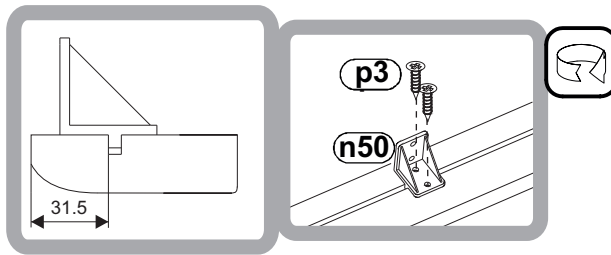
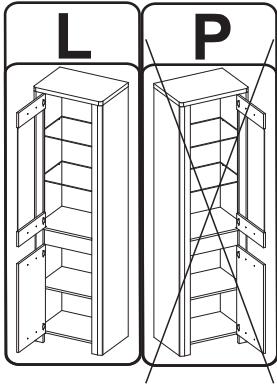
**e2**   $\phi 6.3 \times 13$  mm x4

**p3**   $\phi 3.5 \times 16$  mm x20

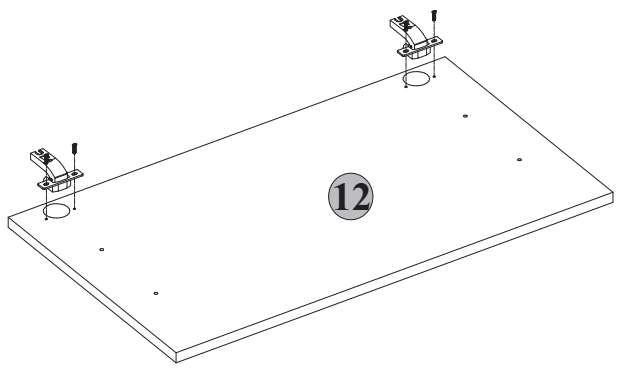
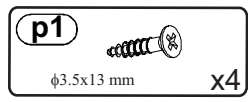
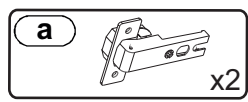
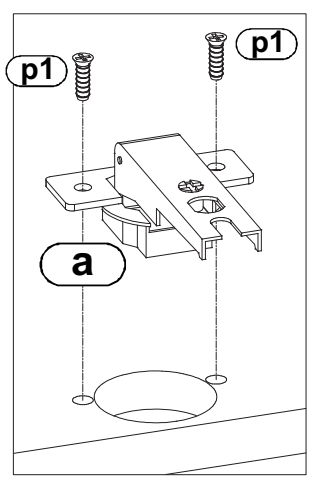


# 3

# 3 L

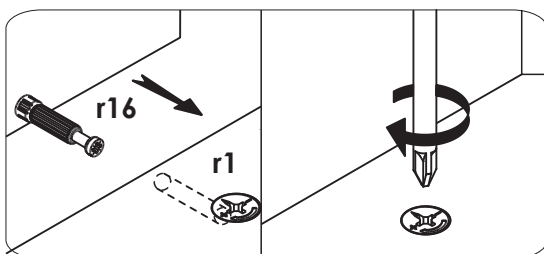
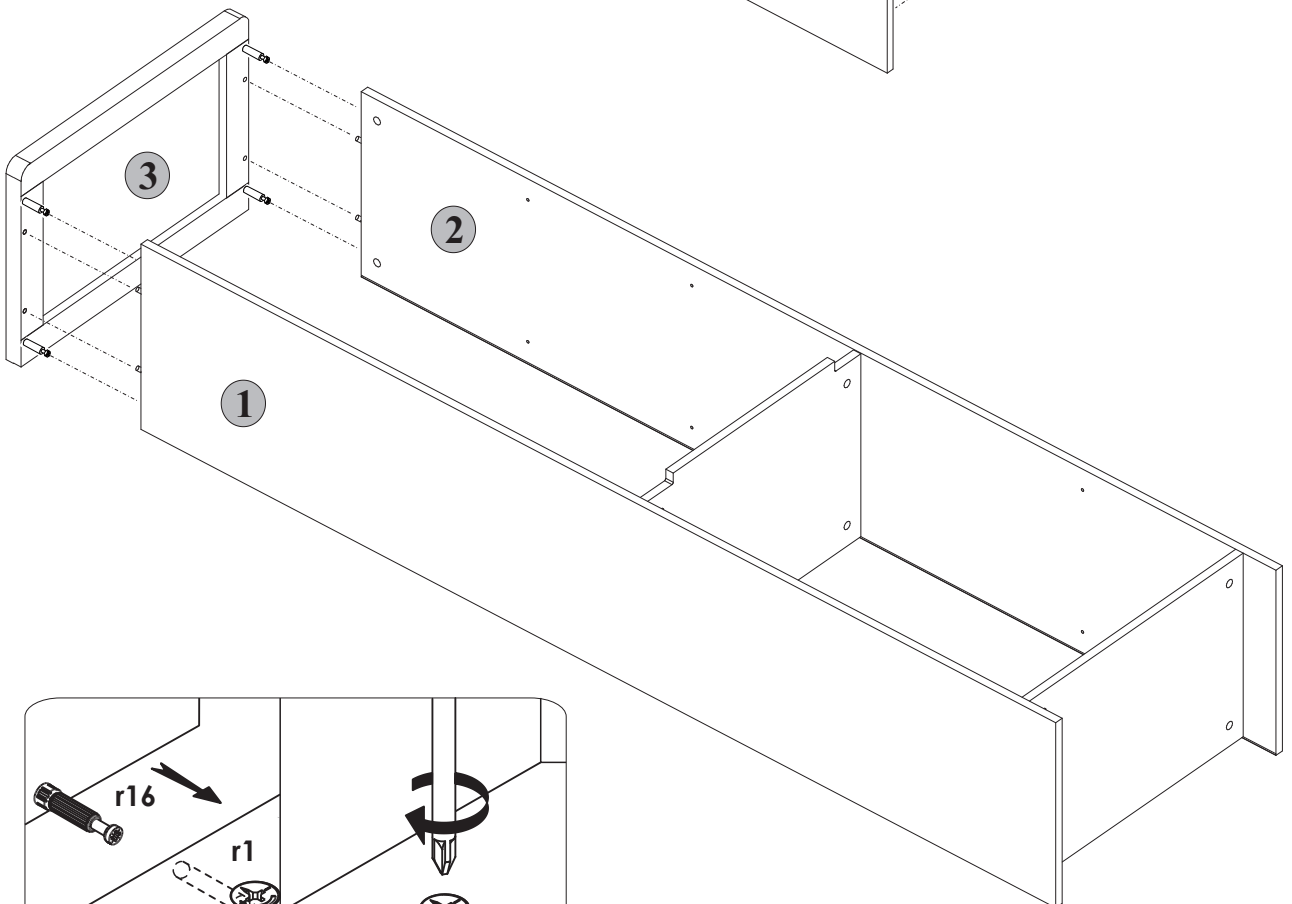
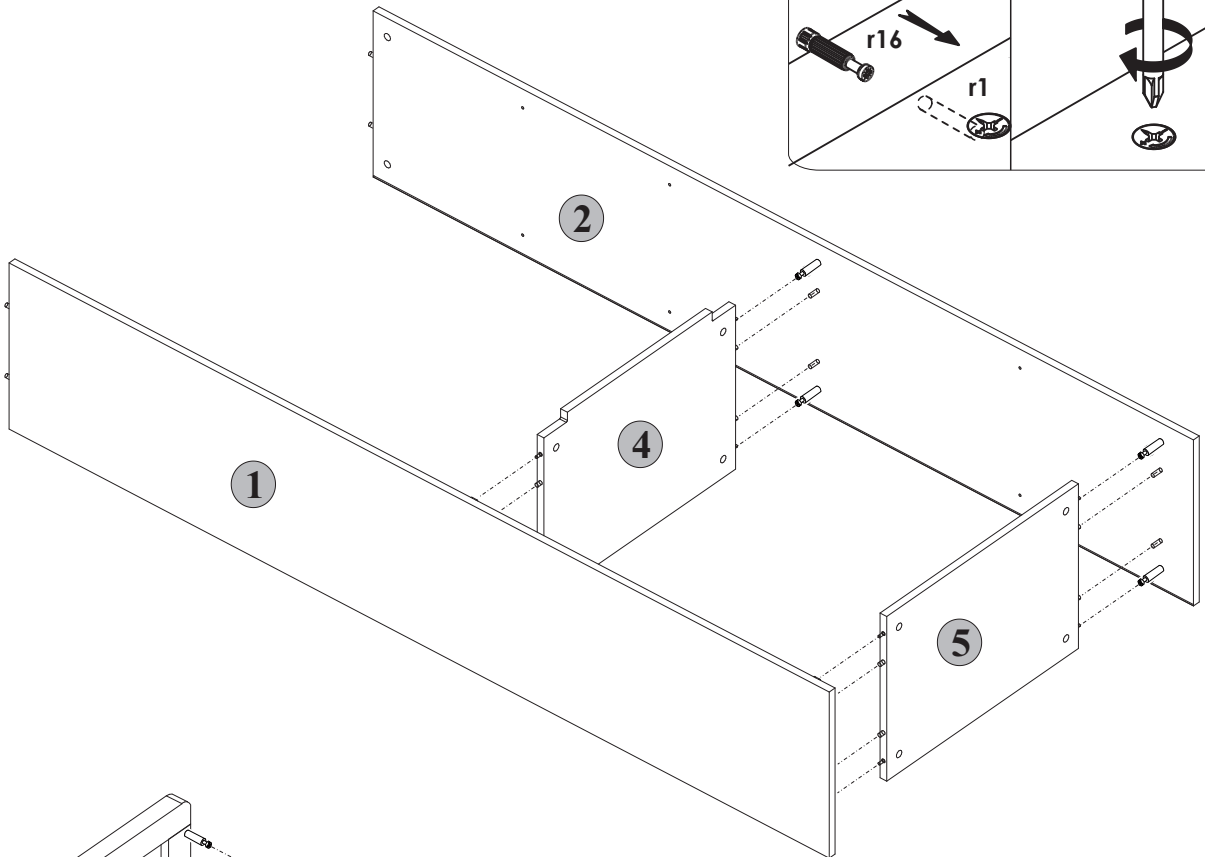
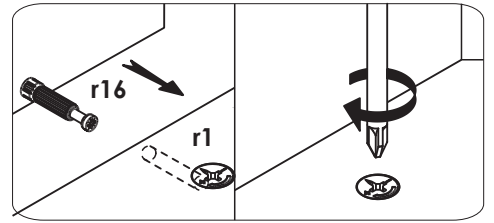
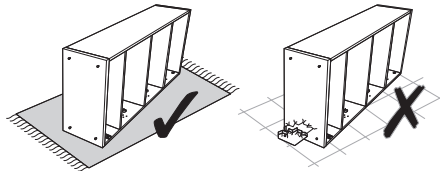


# 4



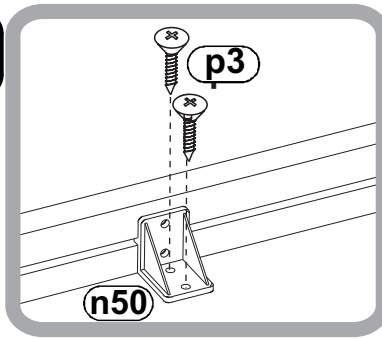
# 4

5



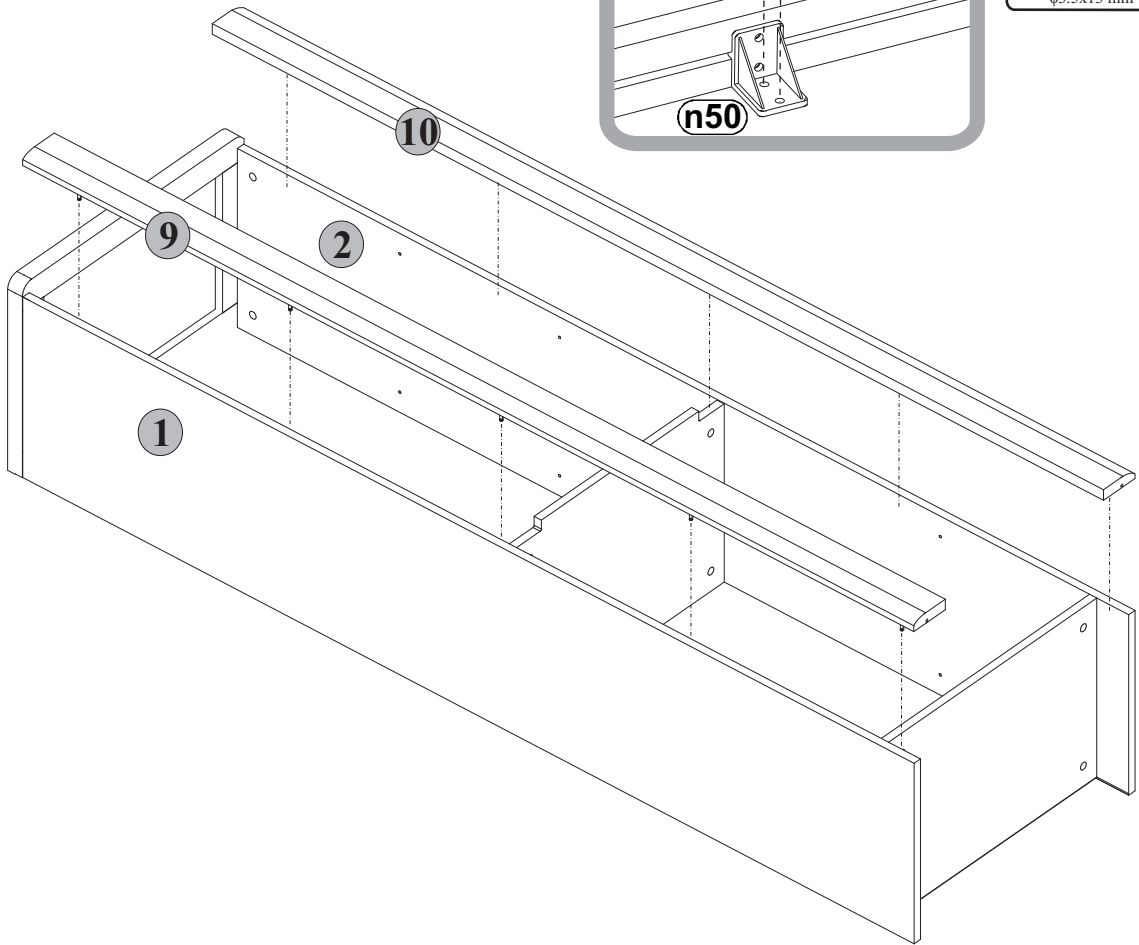
5

6

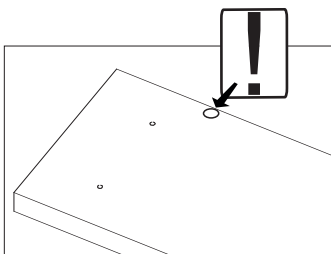
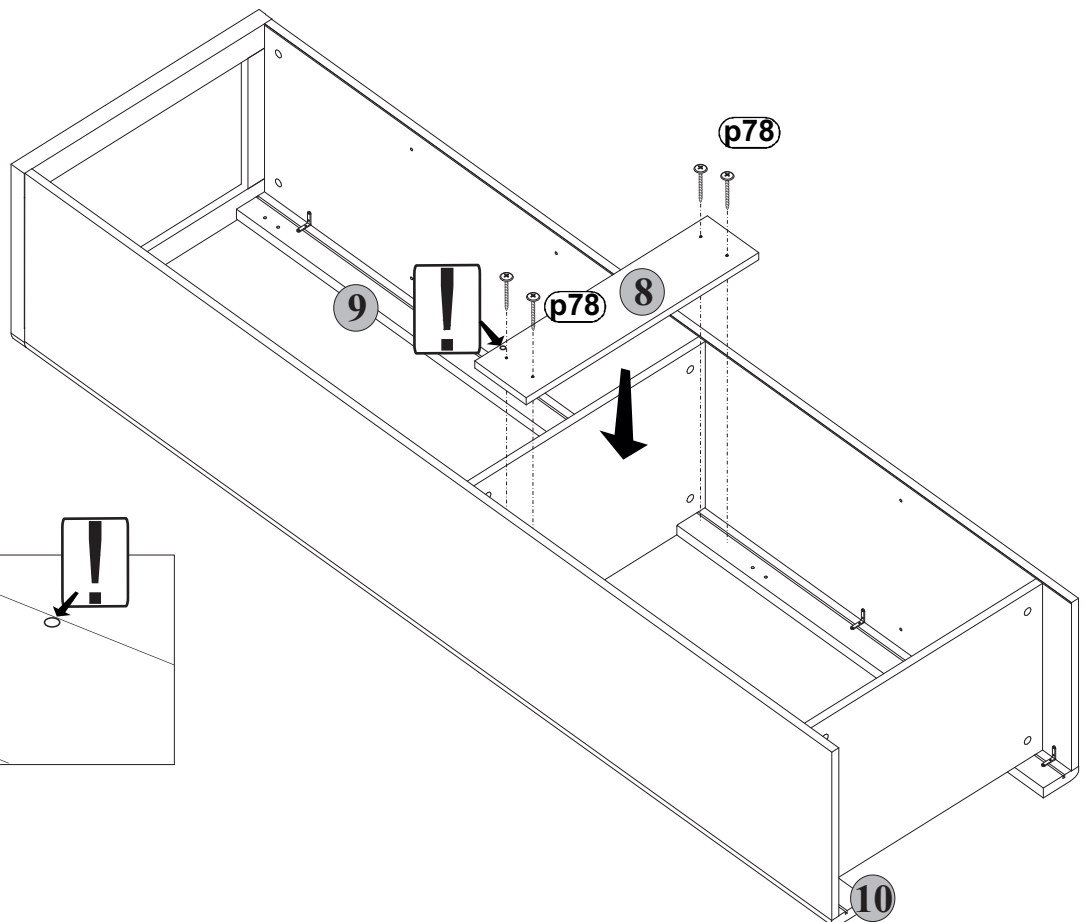


**p3**  
φ3.5x16mm x20

**p78**  
φ3.5x13 mm x4

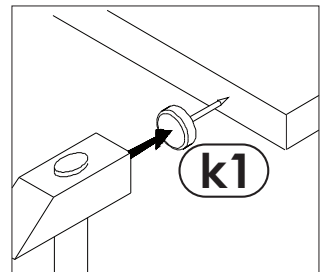
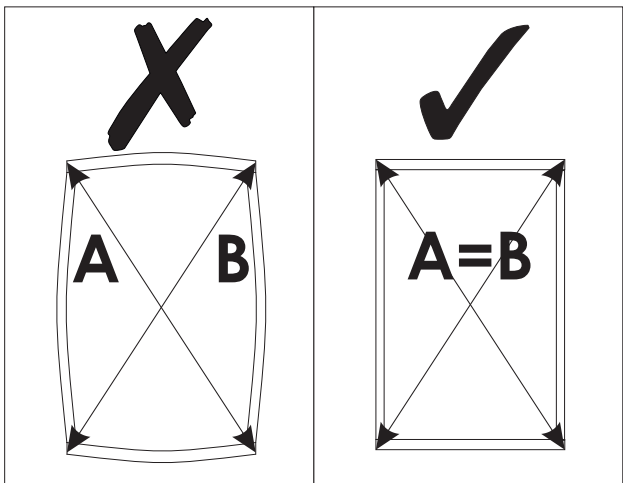
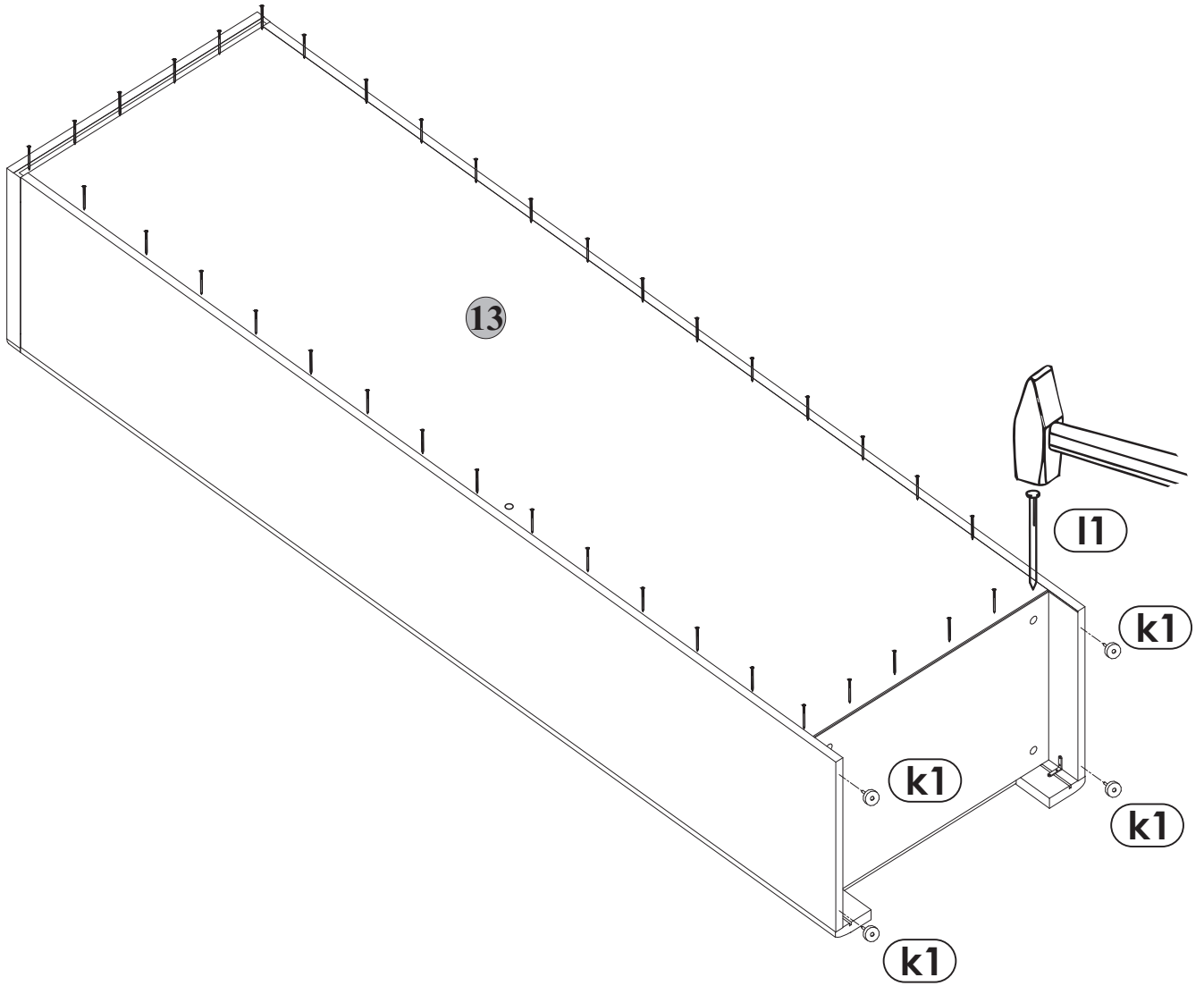
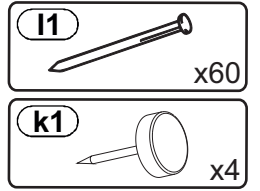


7



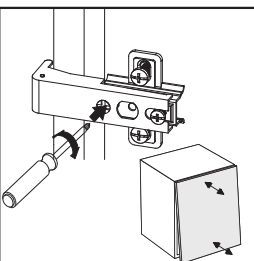
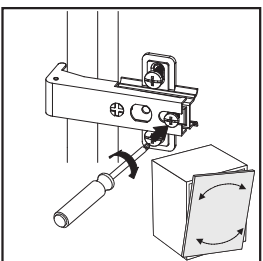
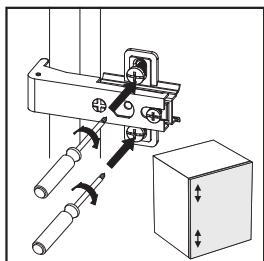
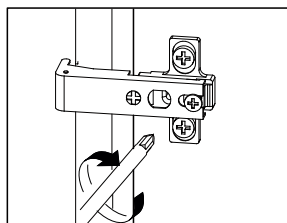
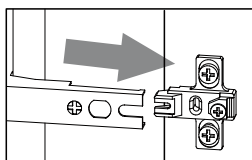
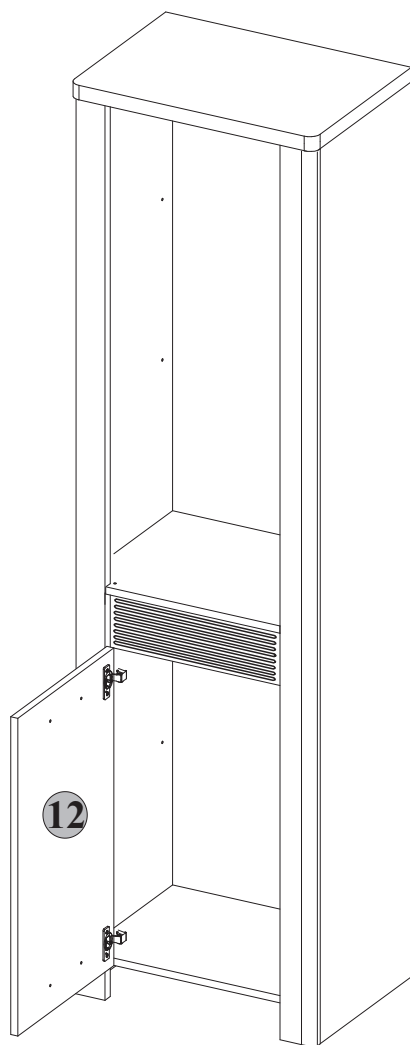
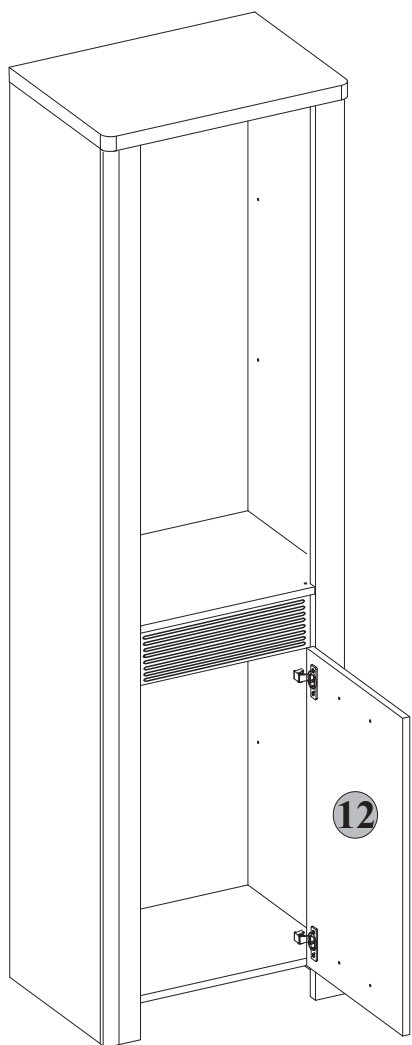
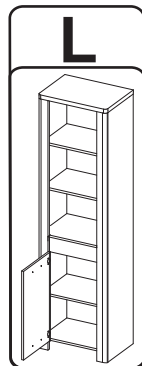
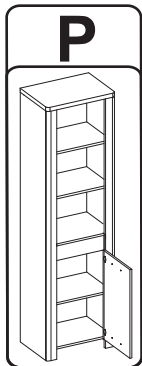
6

8



7



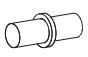

9

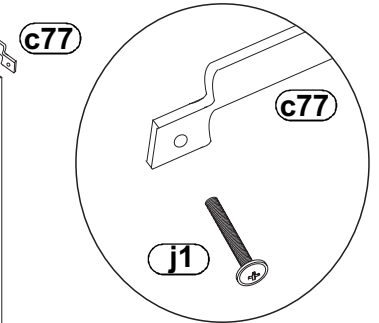
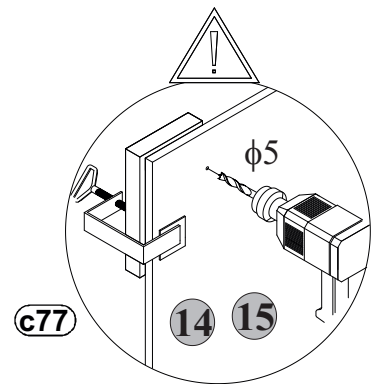
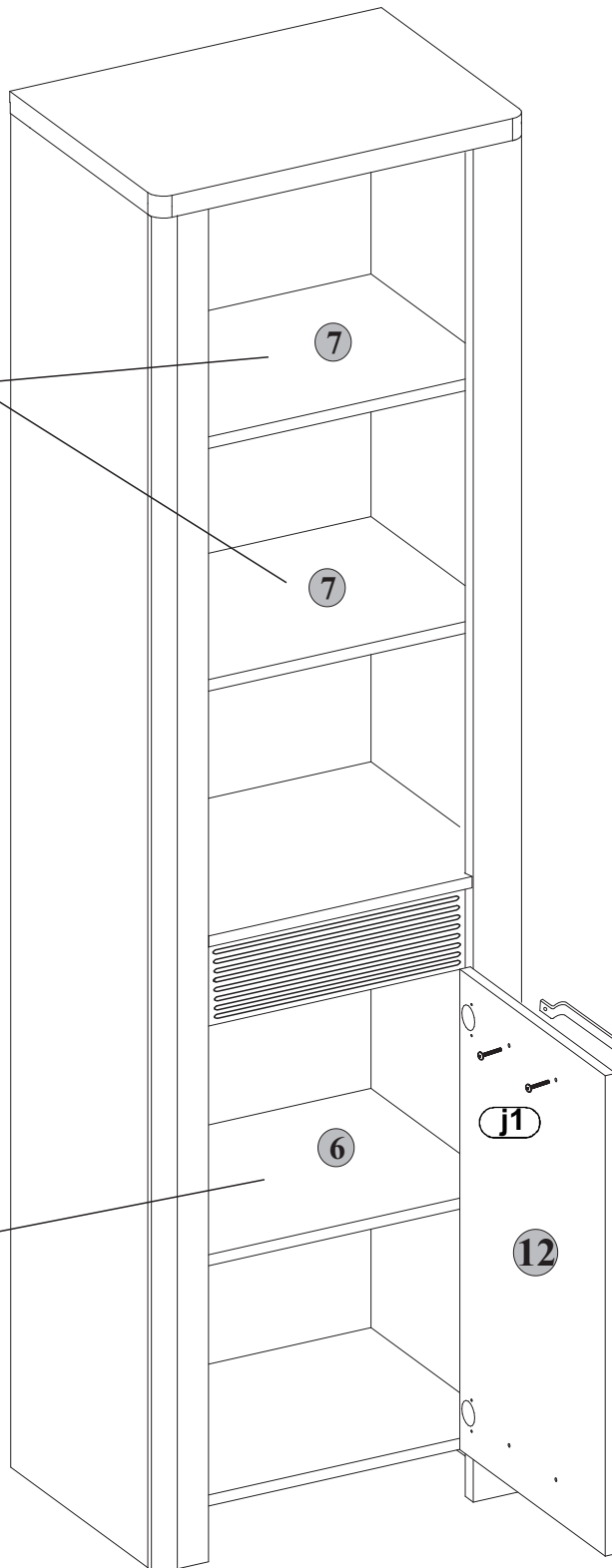
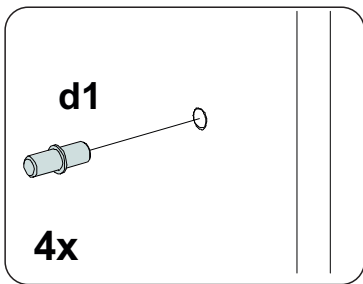
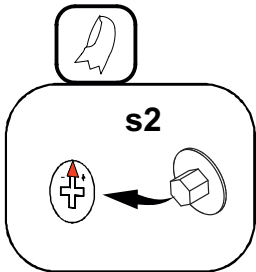
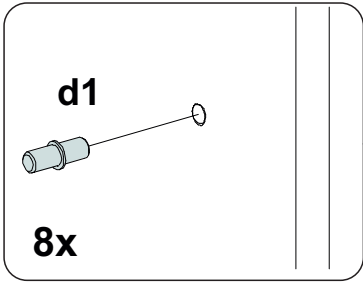


8

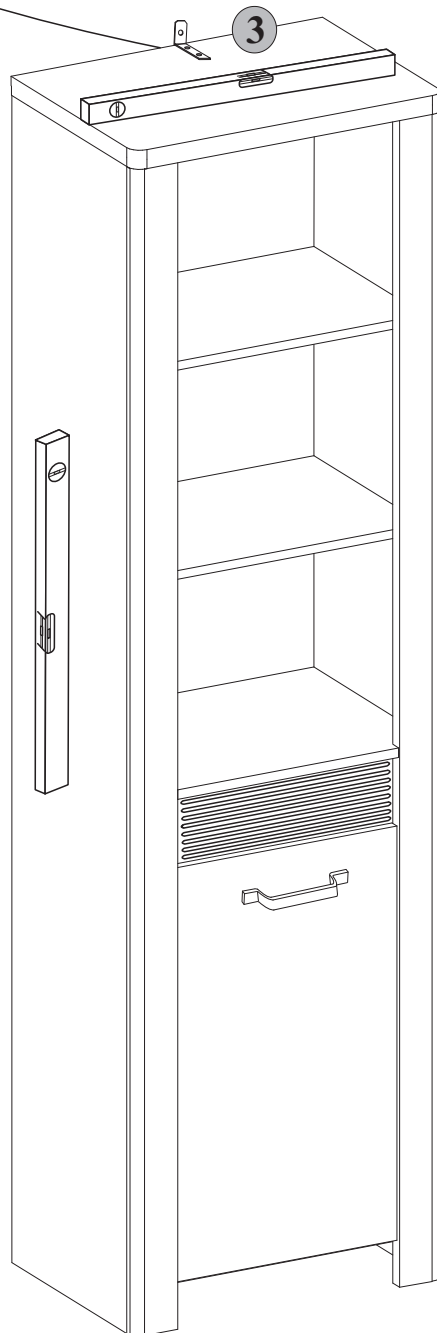
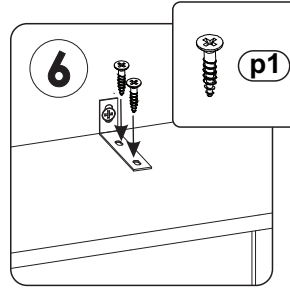
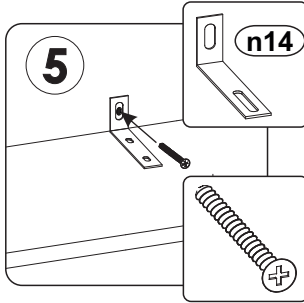
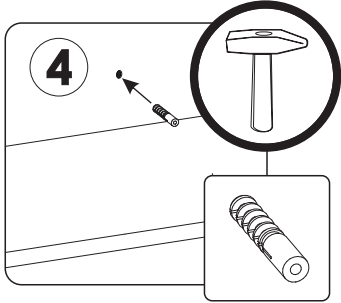
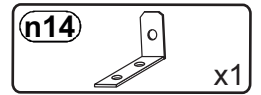
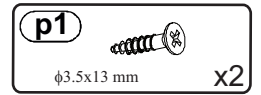
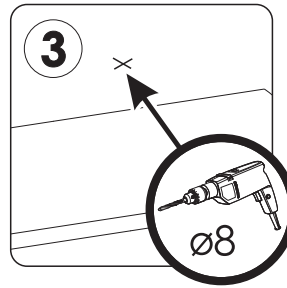
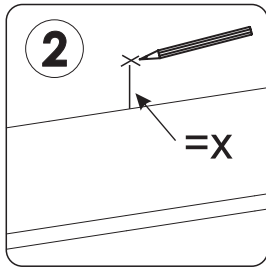
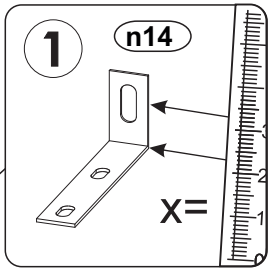


**10**

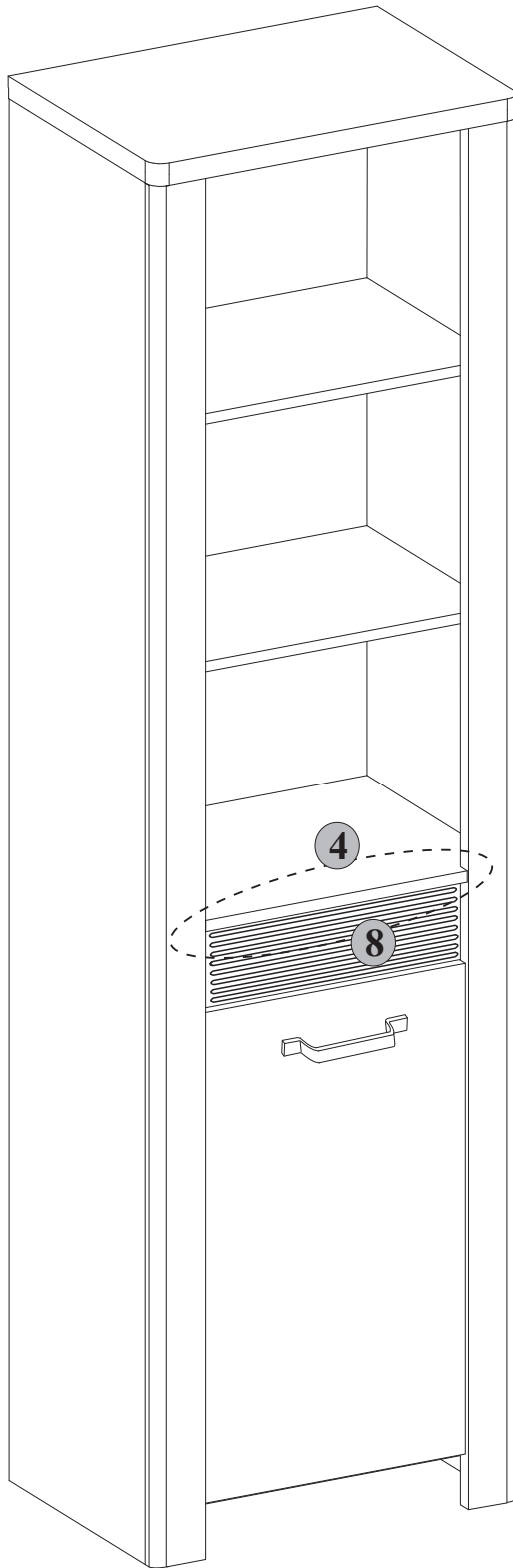
- c77**  x1
- j1**   $\phi 4 \times 20$  mm x2
- d1**  x12
- s2**  x18



# 11



# OPTION



## Option

led x1

