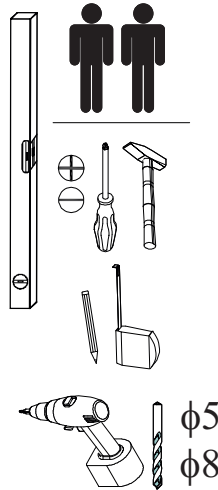
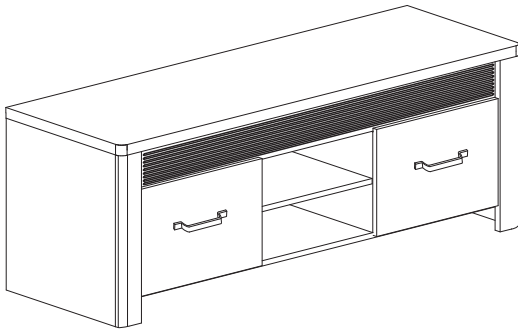
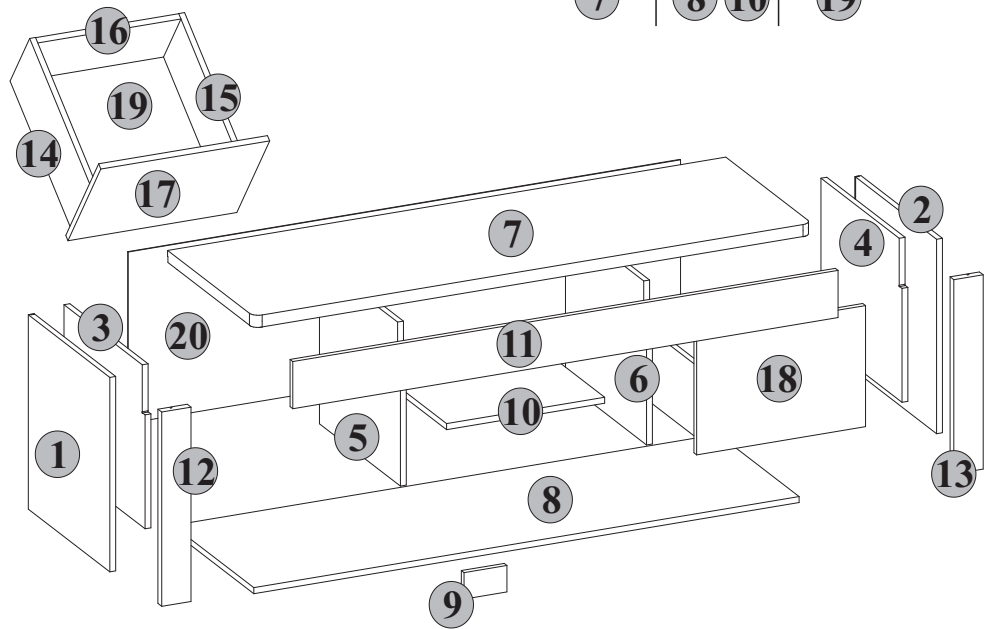
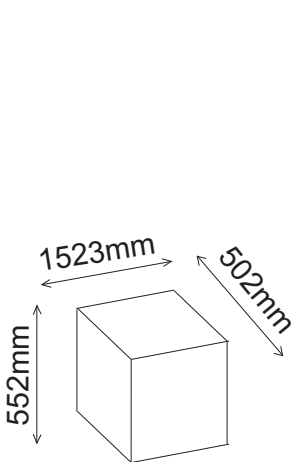
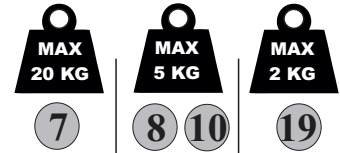


Moris

Szafka RTV 2Sh

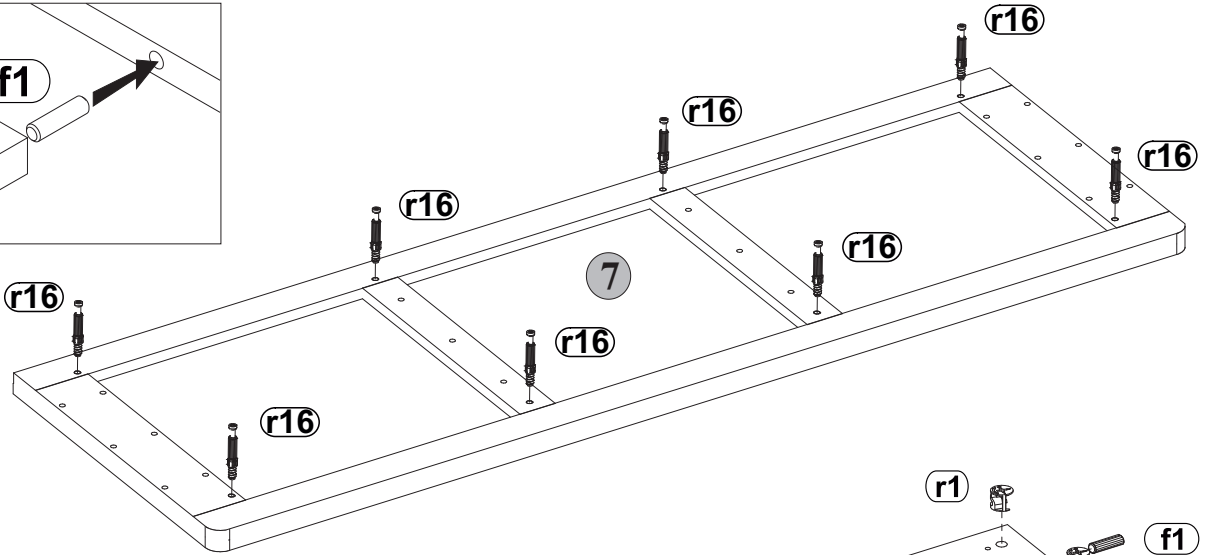
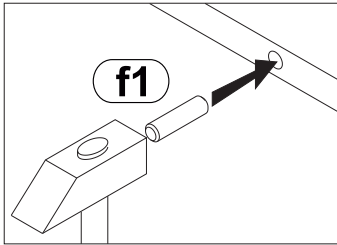
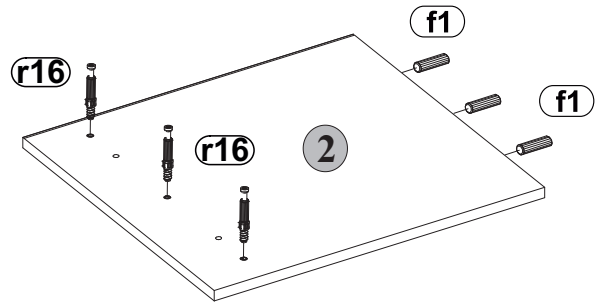
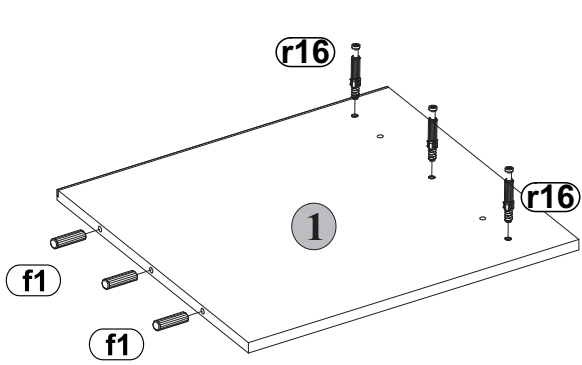
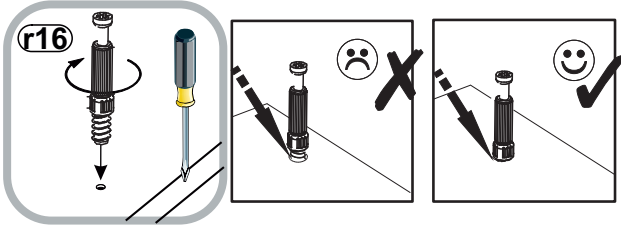
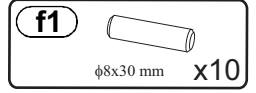
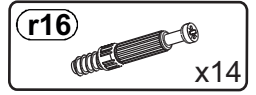
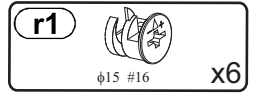
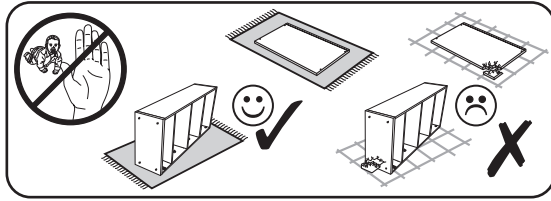


number	Measurements	Pcs.
1	515x477	1
2	515x477	1
3	429x474	1
4	429x474	1
5	429x474	1
6	429x474	1
7	1523x502	1
8	1489x474	1
9	70x116	1
10	431x472	1
11	1489x125	1
12	515x80	1
13	515x80	1
14	450x190	2
15	450x190	2
16	391x190	2
17	460x320	1
18	460x320	1
19	401x444	1
20	1508x454	1

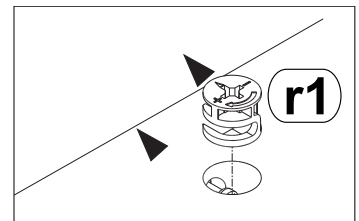
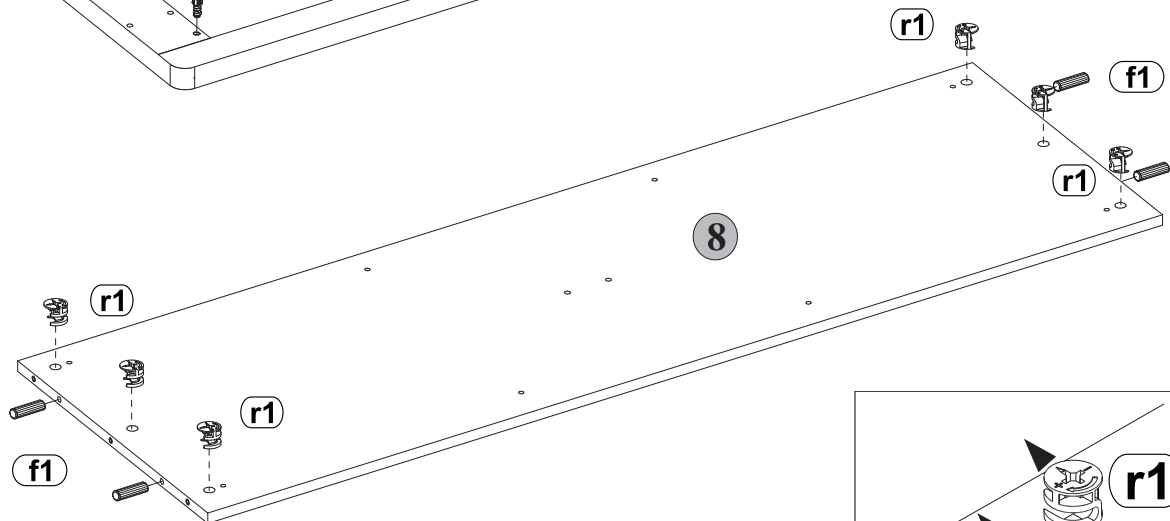


d1 x4	s3 x2	p3 φ3.5x16 mm x16	s1 x16
c77 x2	d6 x5	w400 x2	l1 x60
j1 φ4x25 mm x4	k1 x6	f1 φ8x30 mm x36	n50 x4
e1 φ6.5x50 mm x16	r1 φ15 #16 x22	y1 x1	p1 φ3.5x13 mm x50
z1 x1	r16 x22	s2 x22	

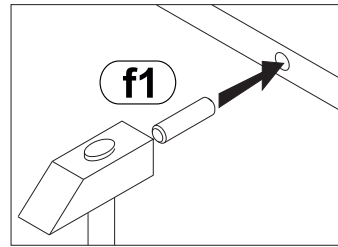
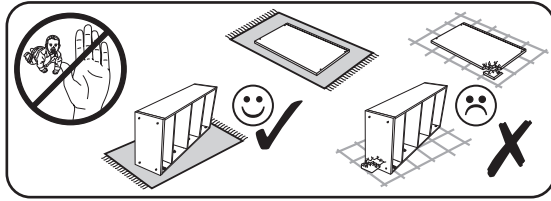
I


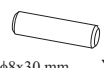




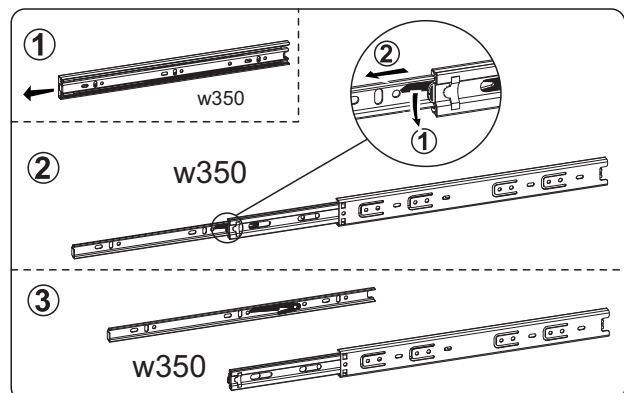
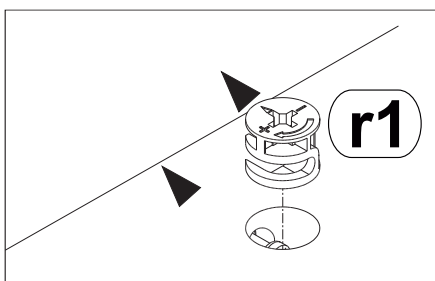
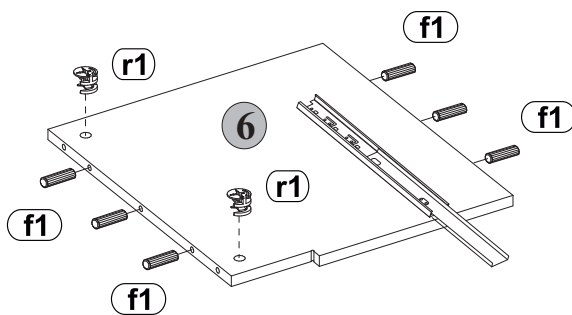
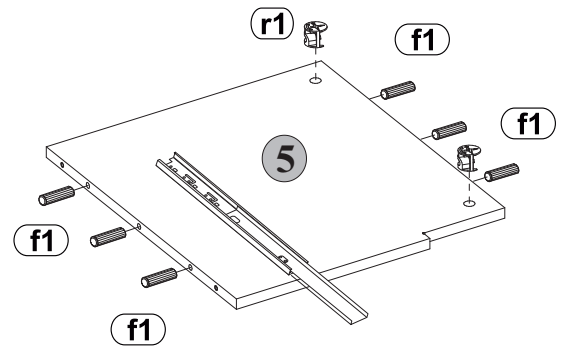
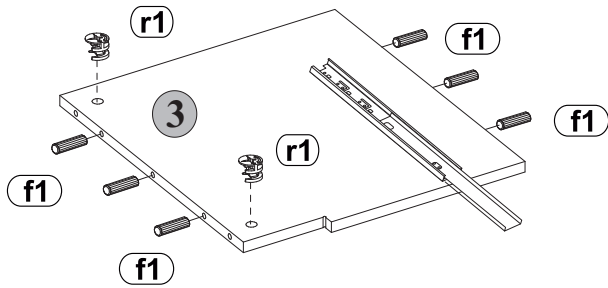
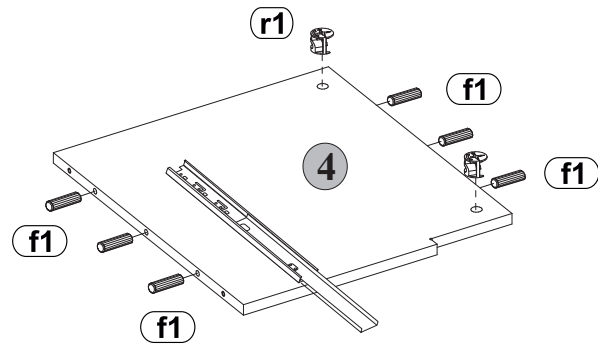
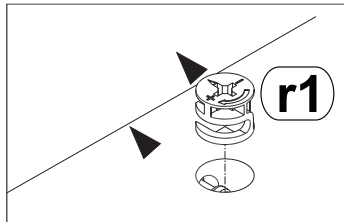
2



3

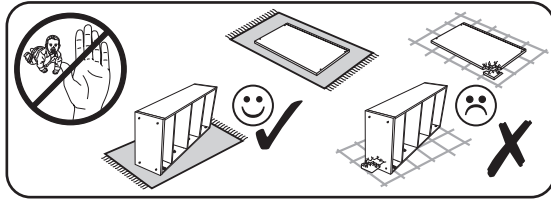



- r1**  $\phi 15 \# 16$ x8
- f1**  $\phi 8 \times 30 \text{ mm}$ x24
- w400**  x2
- p1**  $\phi 3.5 \times 13 \text{ mm}$ x12

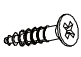


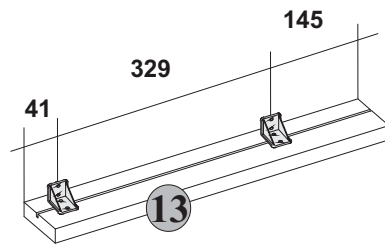
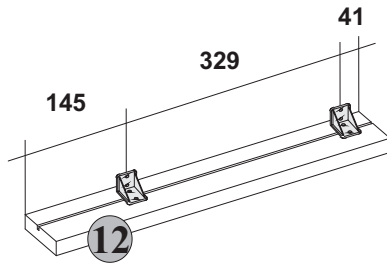
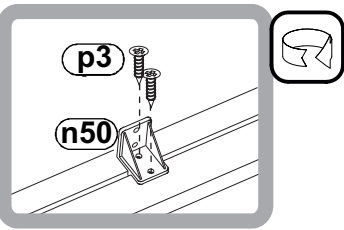
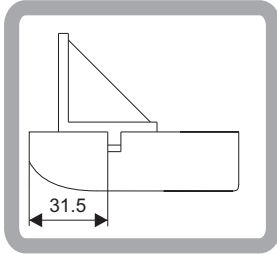
3

4




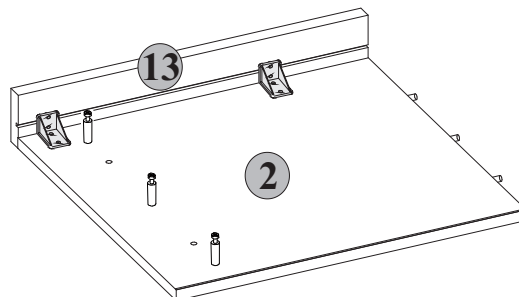
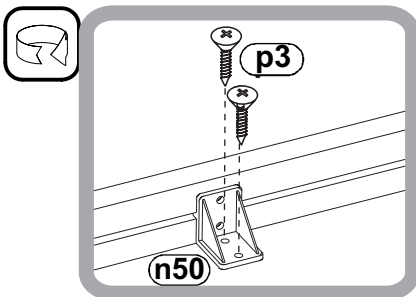
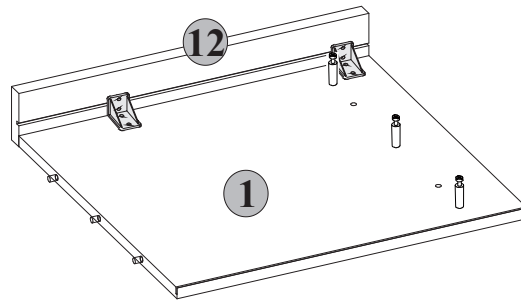
n50  x4

p3  $\phi 3.5 \times 16$ mm x8



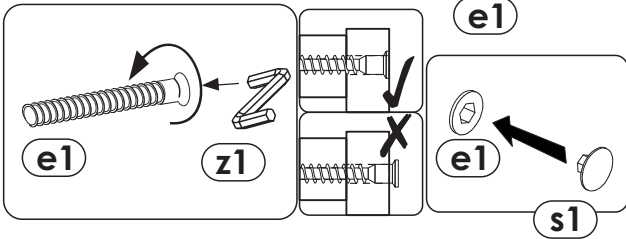
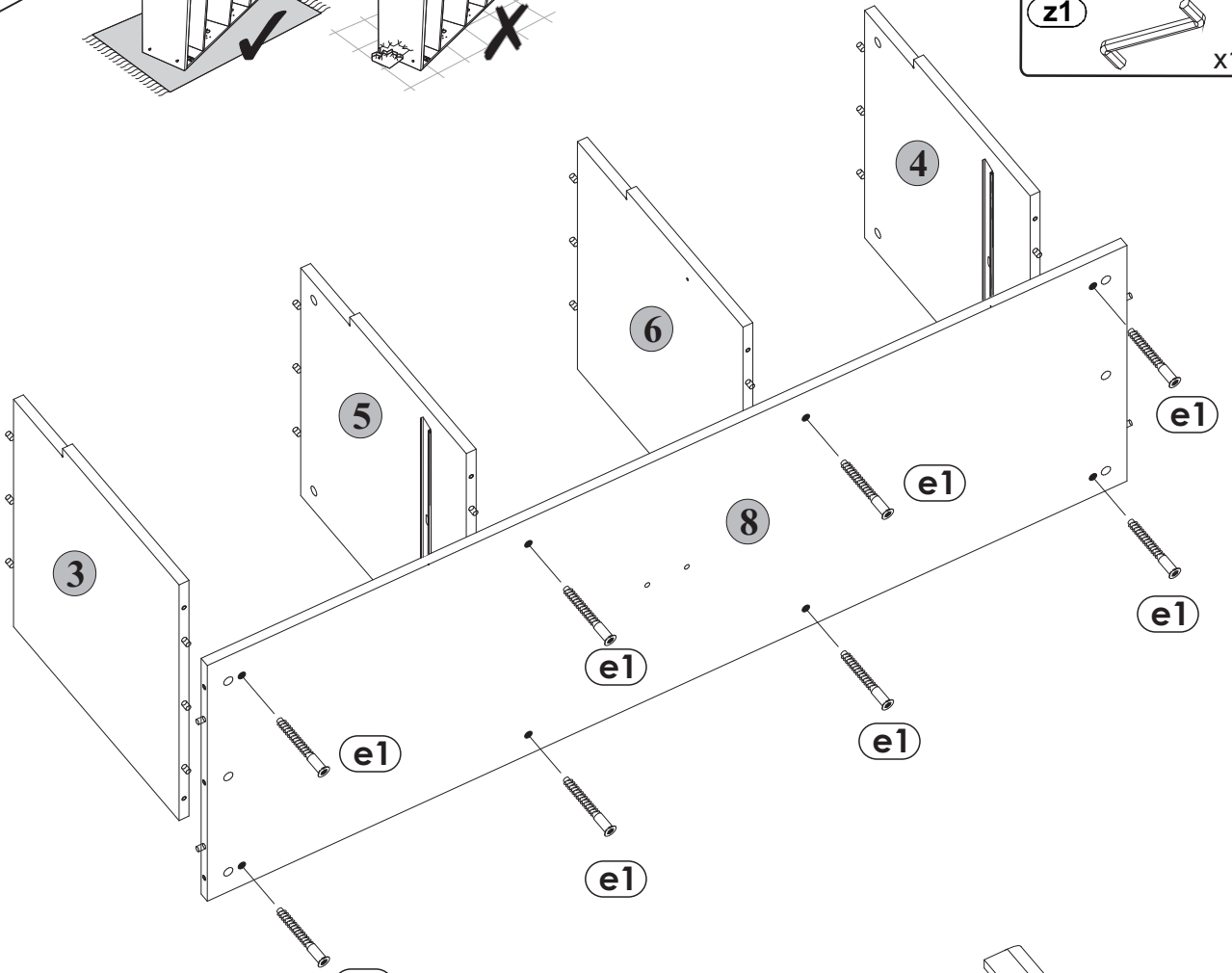
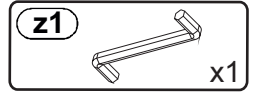
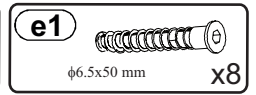
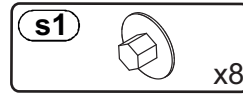
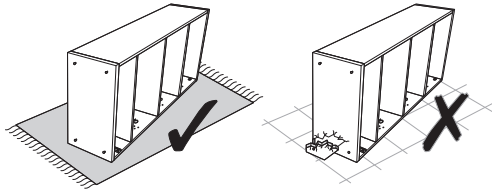
5

p3  $\phi 3.5 \times 16$ mm x8

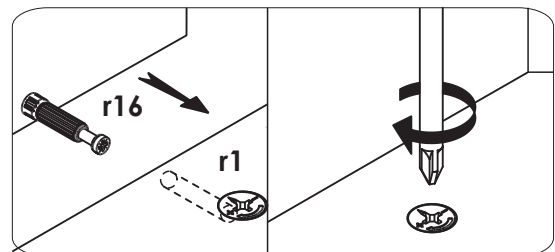
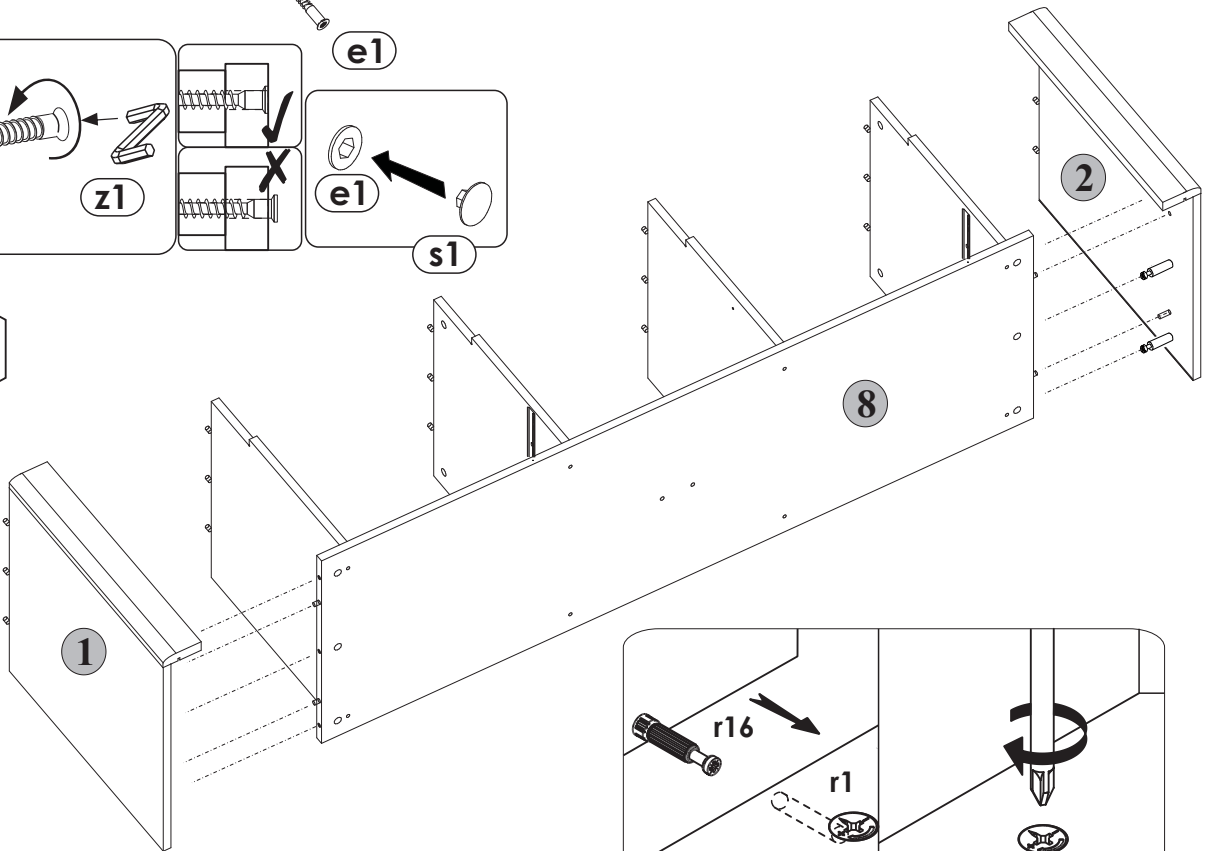


4

6

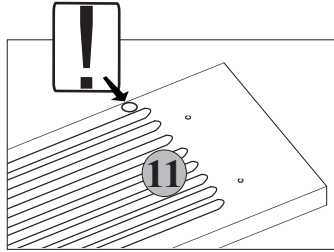


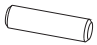
7

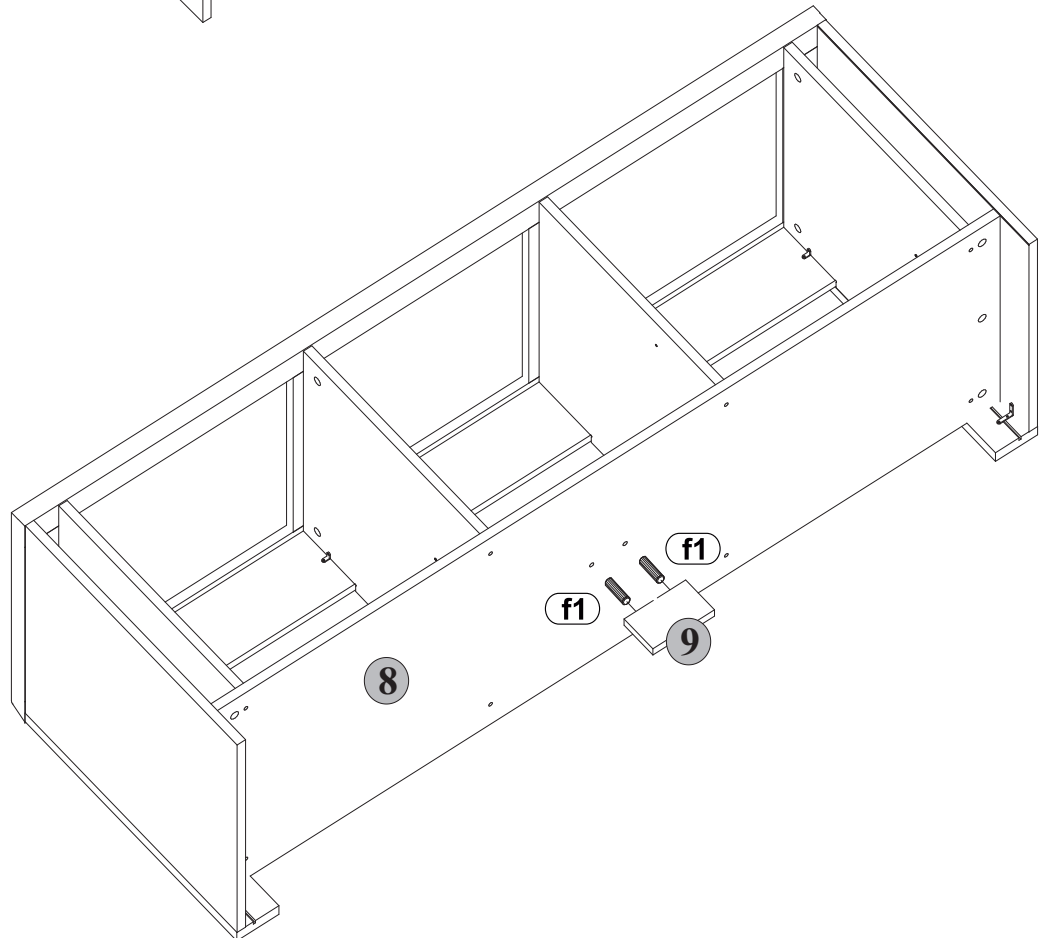
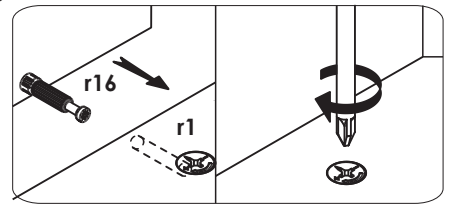
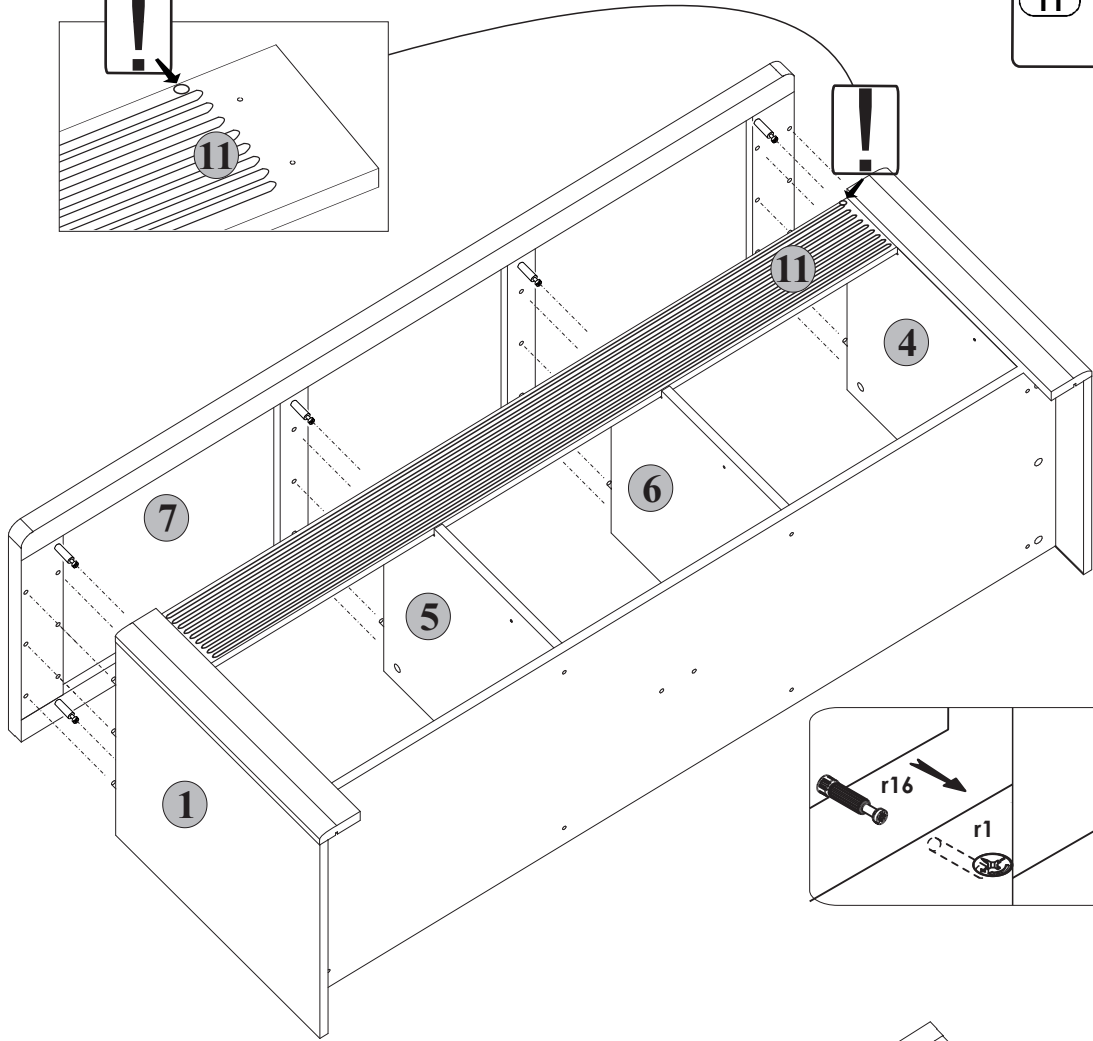


5

8

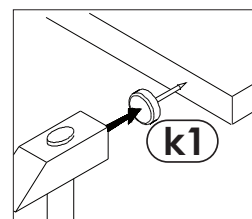
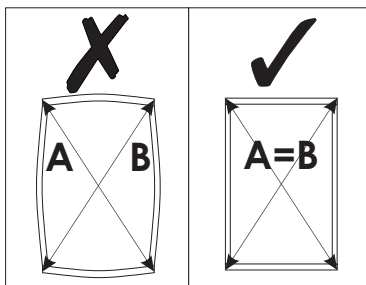
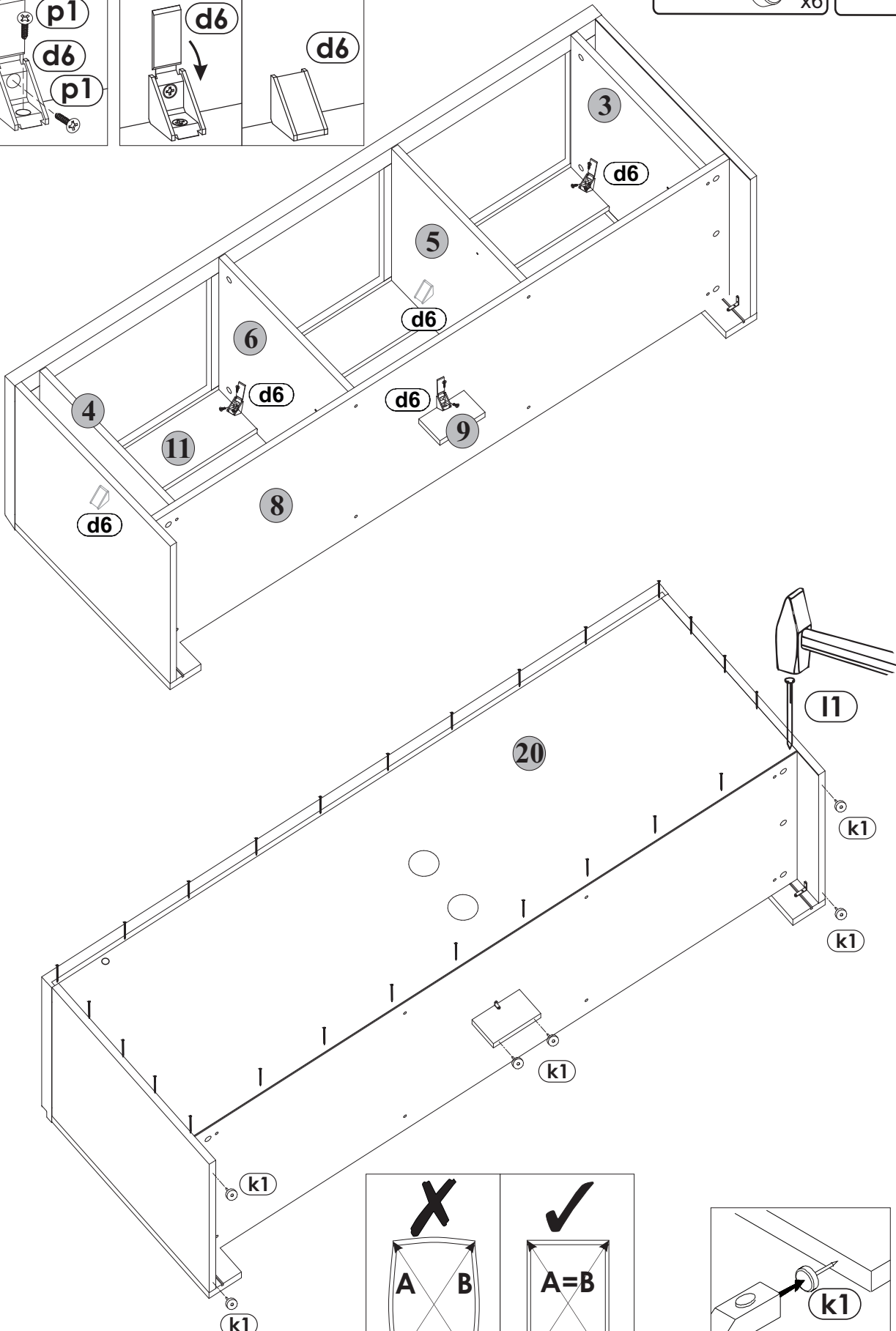
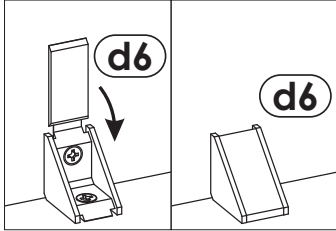
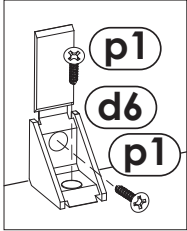
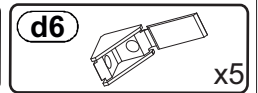
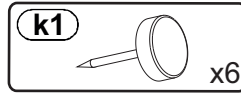
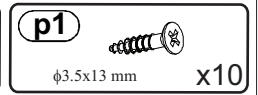
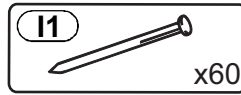


f1  $\phi 8 \times 30$ mm x2



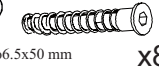

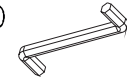
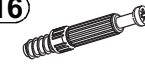

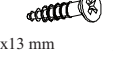
6

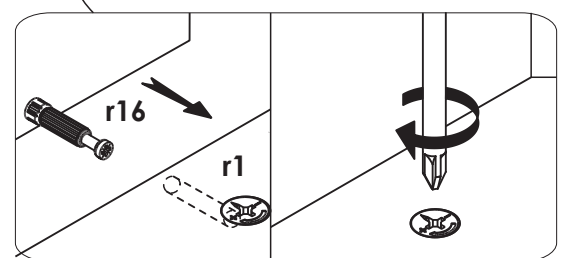
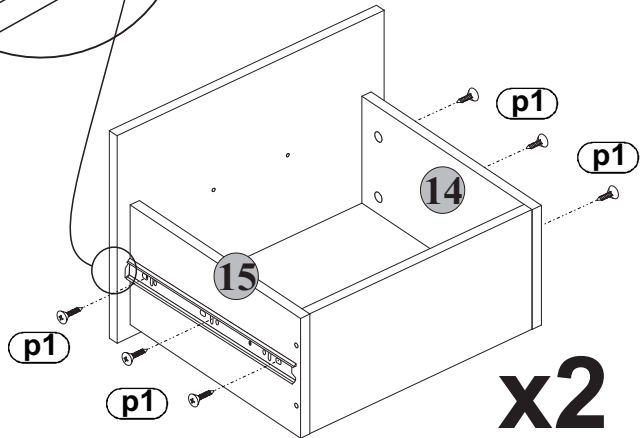
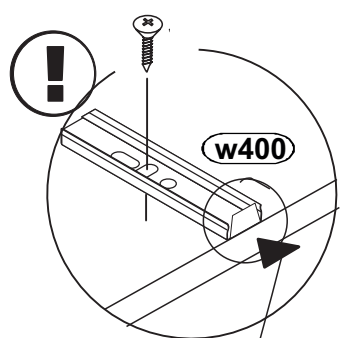
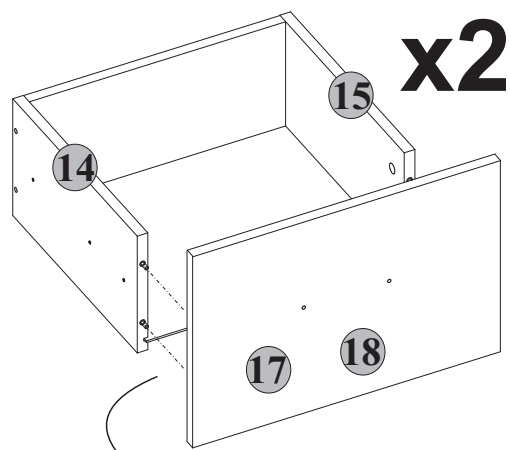
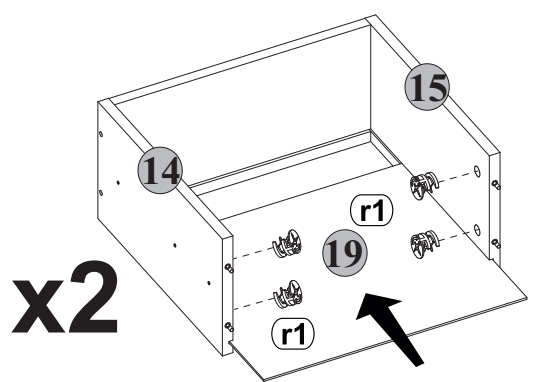
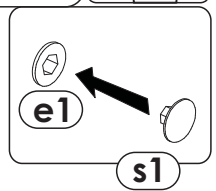
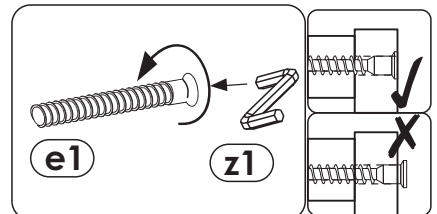
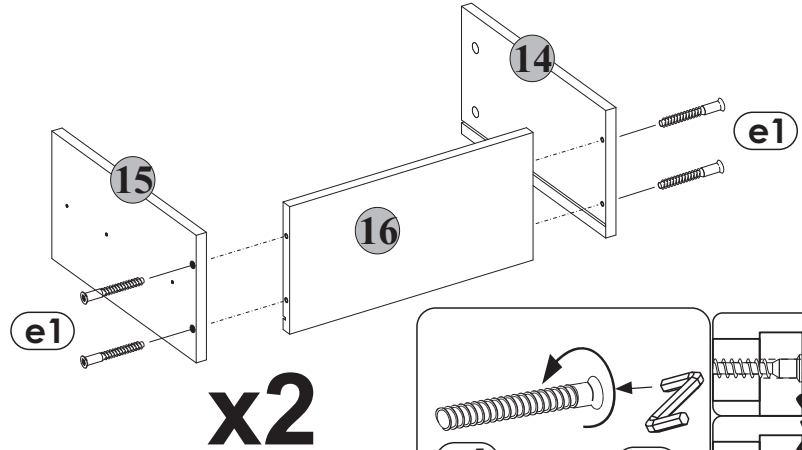
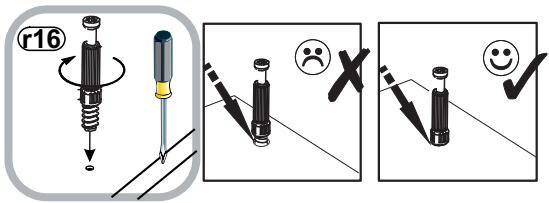
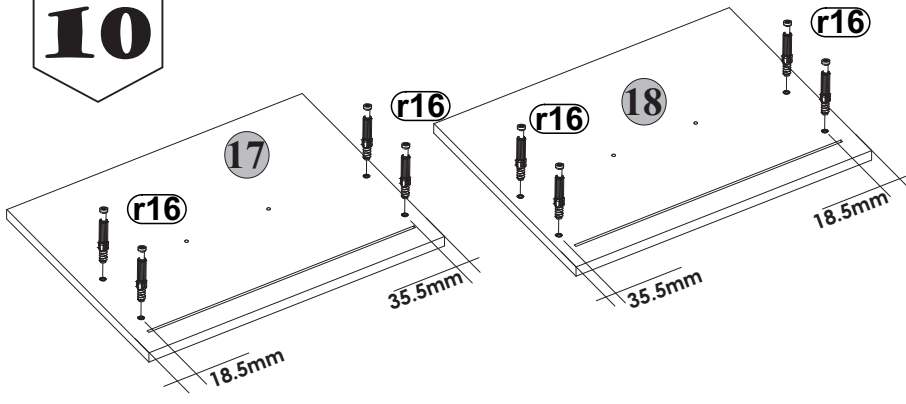
9



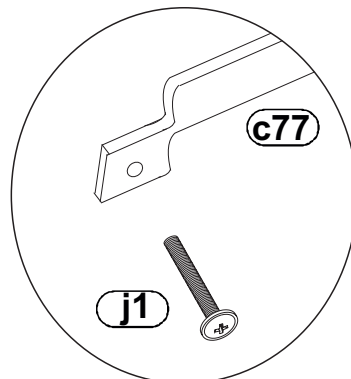
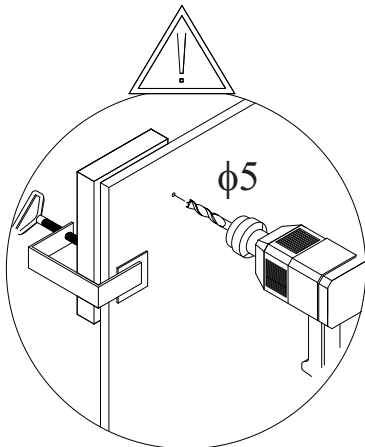
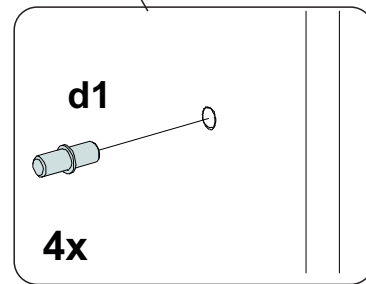
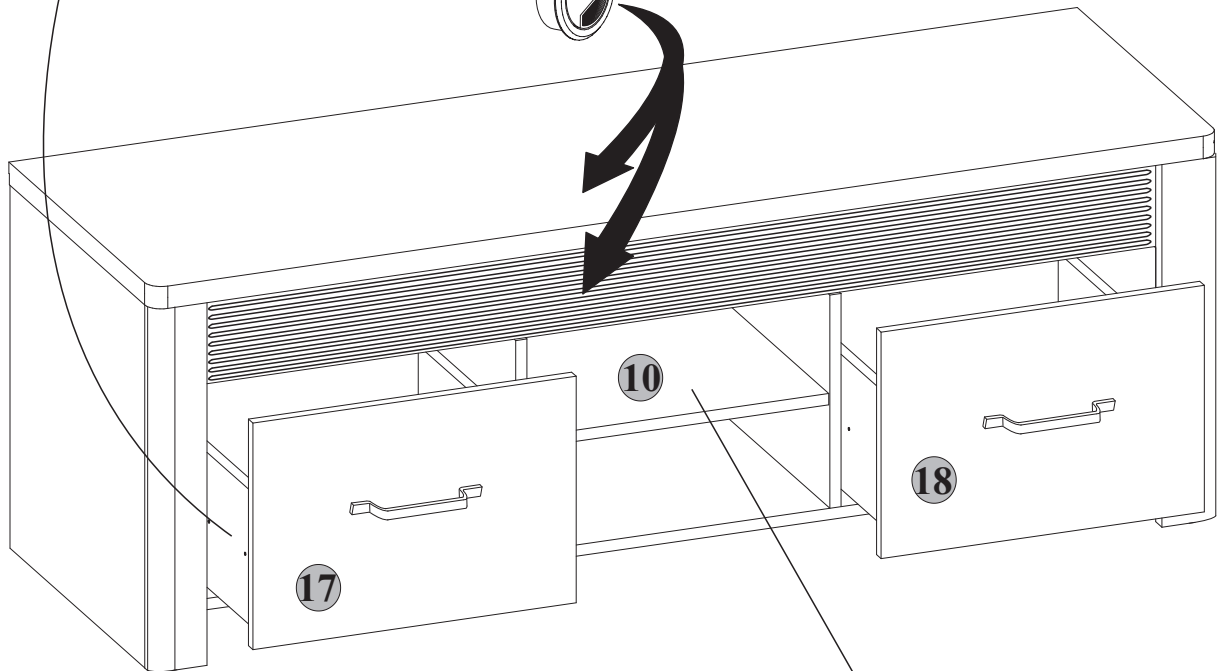
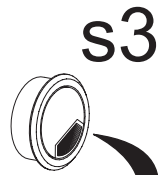
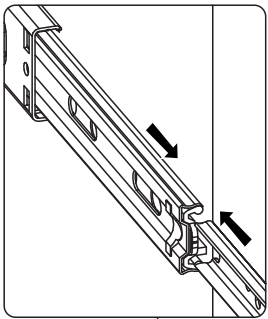
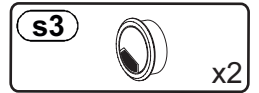
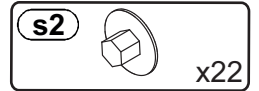
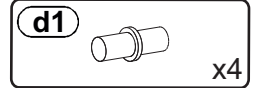
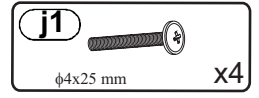
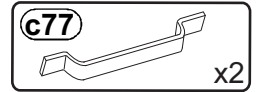
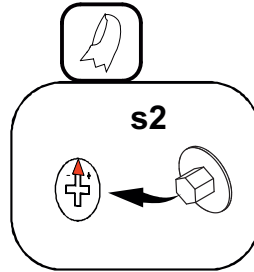
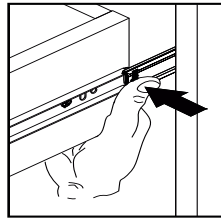
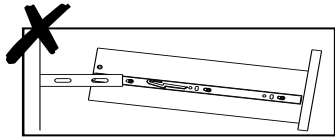
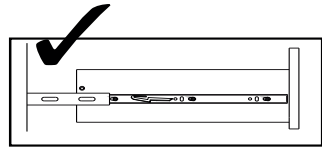
7

10

- e1**  $\phi 6.5 \times 50$ mm x8
- r1**  $\phi 15 \# 16$ x8
- z1**  x1
- r16**  x8
- s1**  x8
- p1**  $\phi 3.5 \times 13$ mm x12

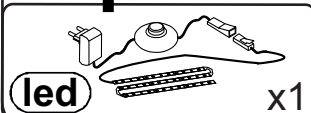


11

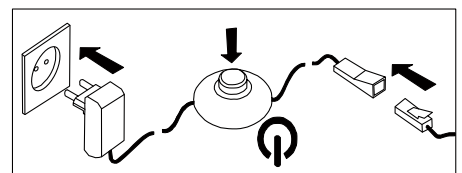
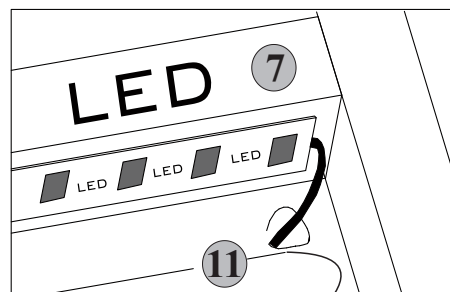
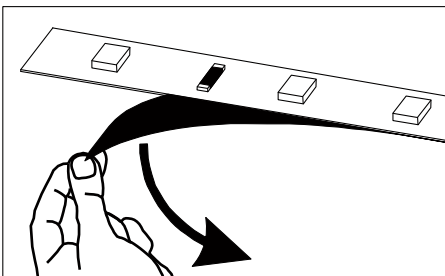
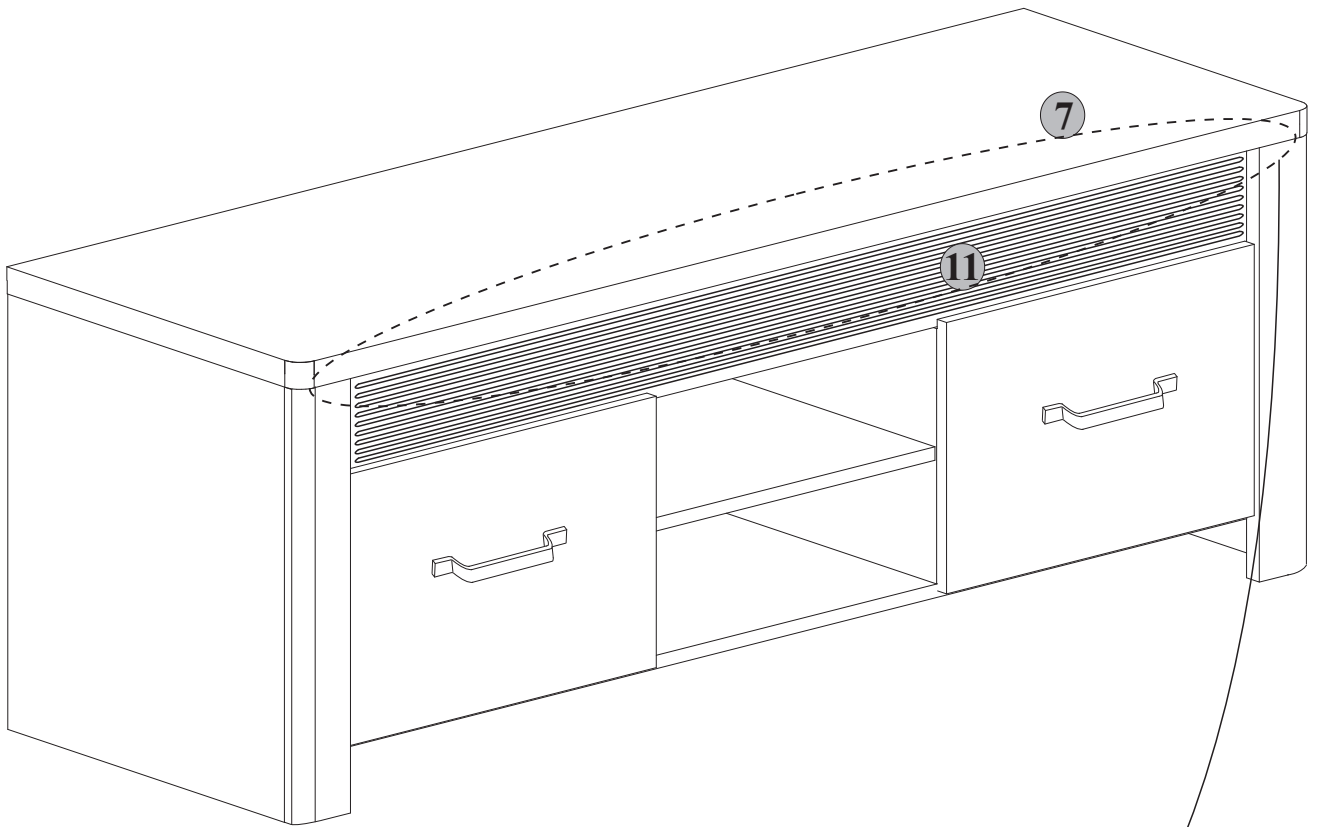


OPTION

Option



led x1



10