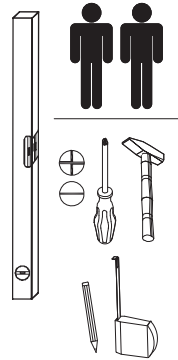
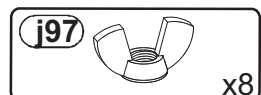
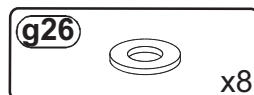
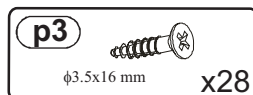
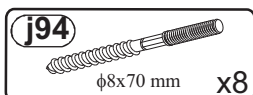
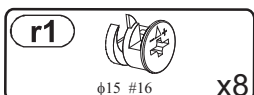
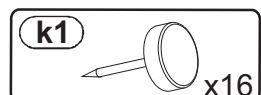
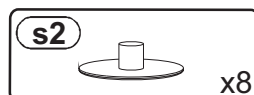
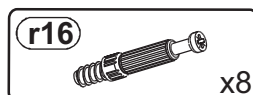
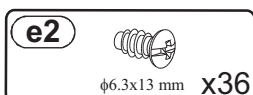
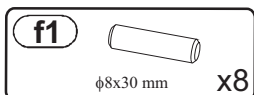
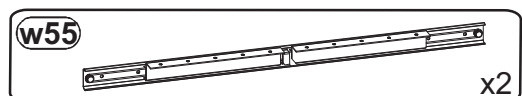
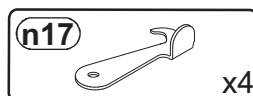
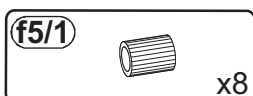
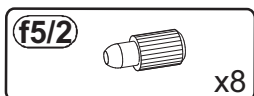
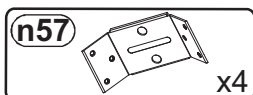
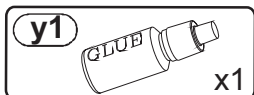
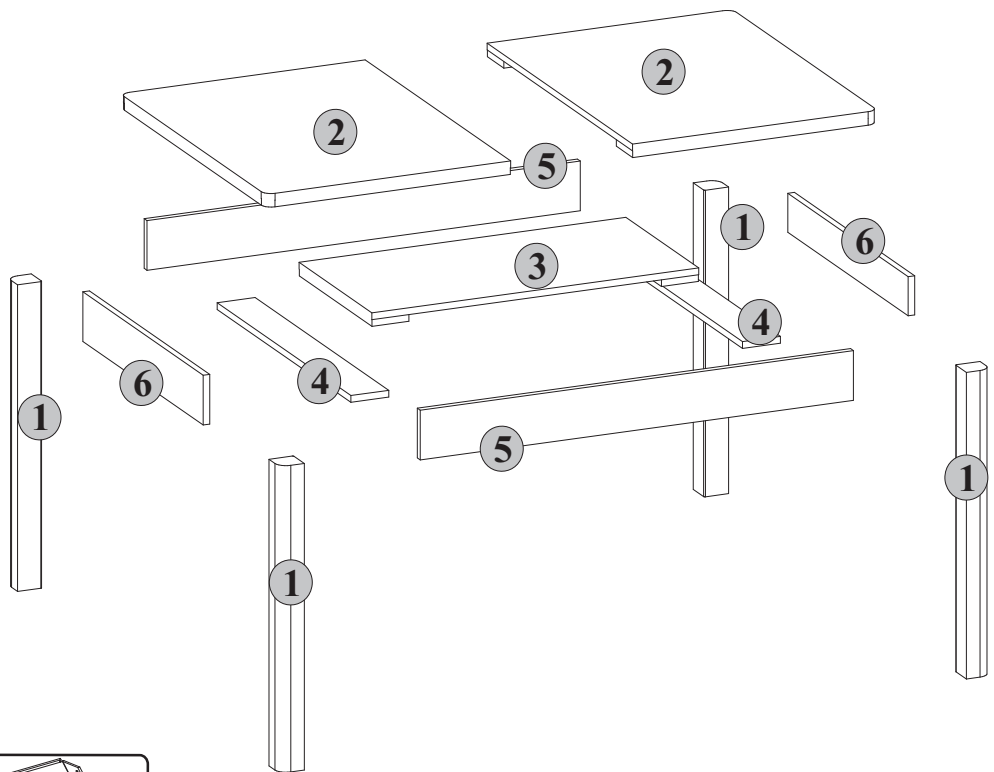
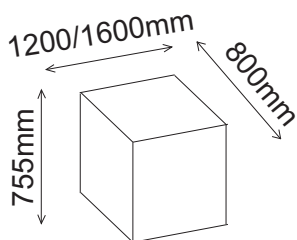
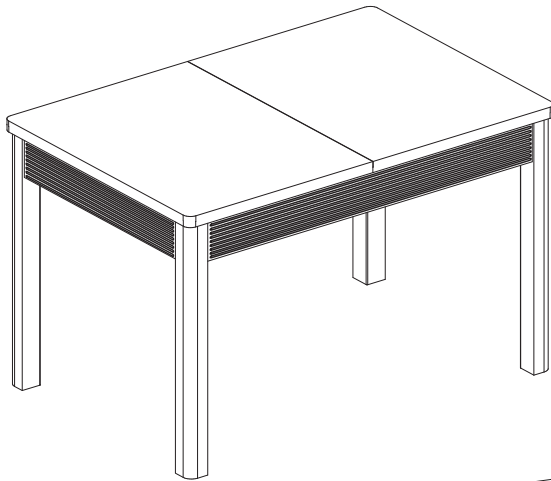


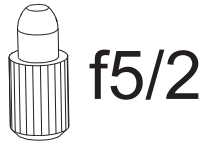
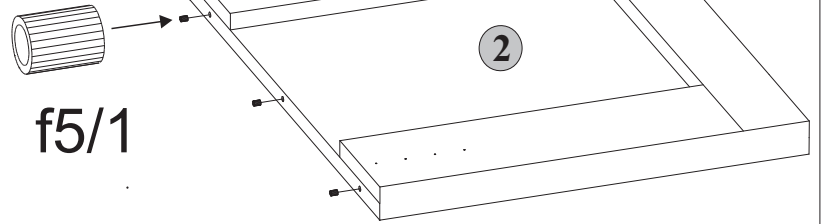
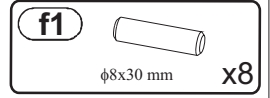
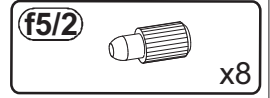
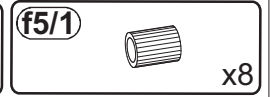
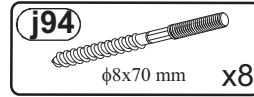
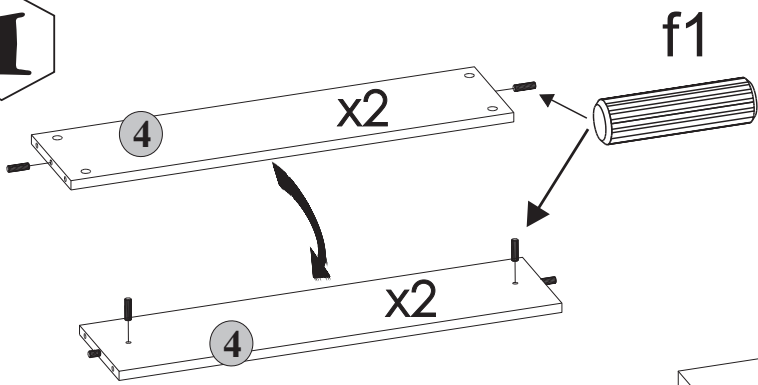
Moris/Mopic

Table (extendable)
Stół (składany)

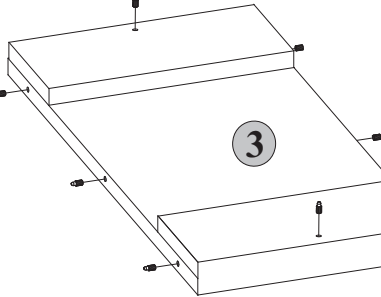
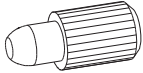


number	Measurements	Pcs.
1	722x60x60	4
2	600x800	2
3	400x800	1
4	736x92	2
5	1062x117	2
6	662x117	2

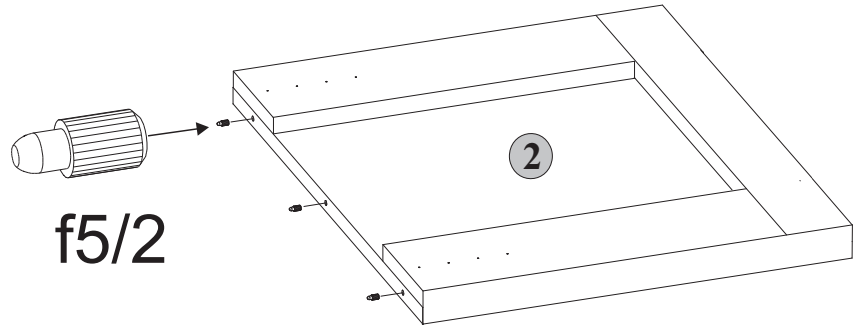
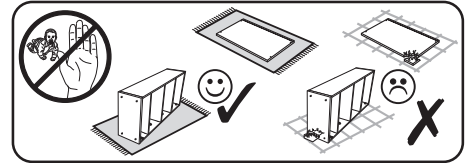




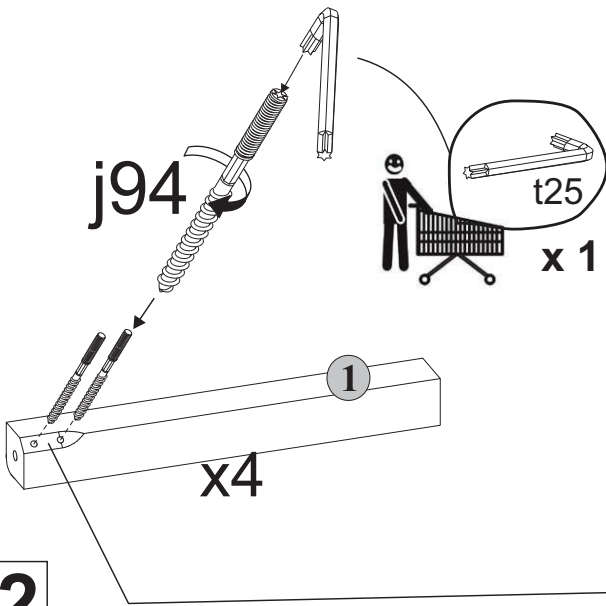
f5/2



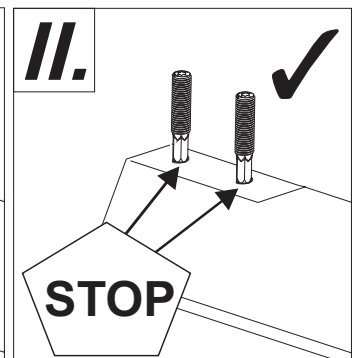
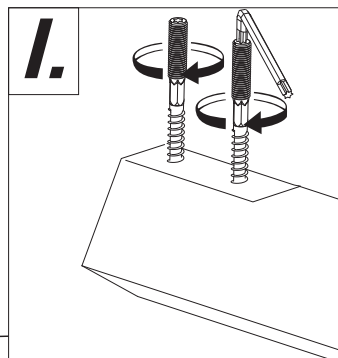
f5/1



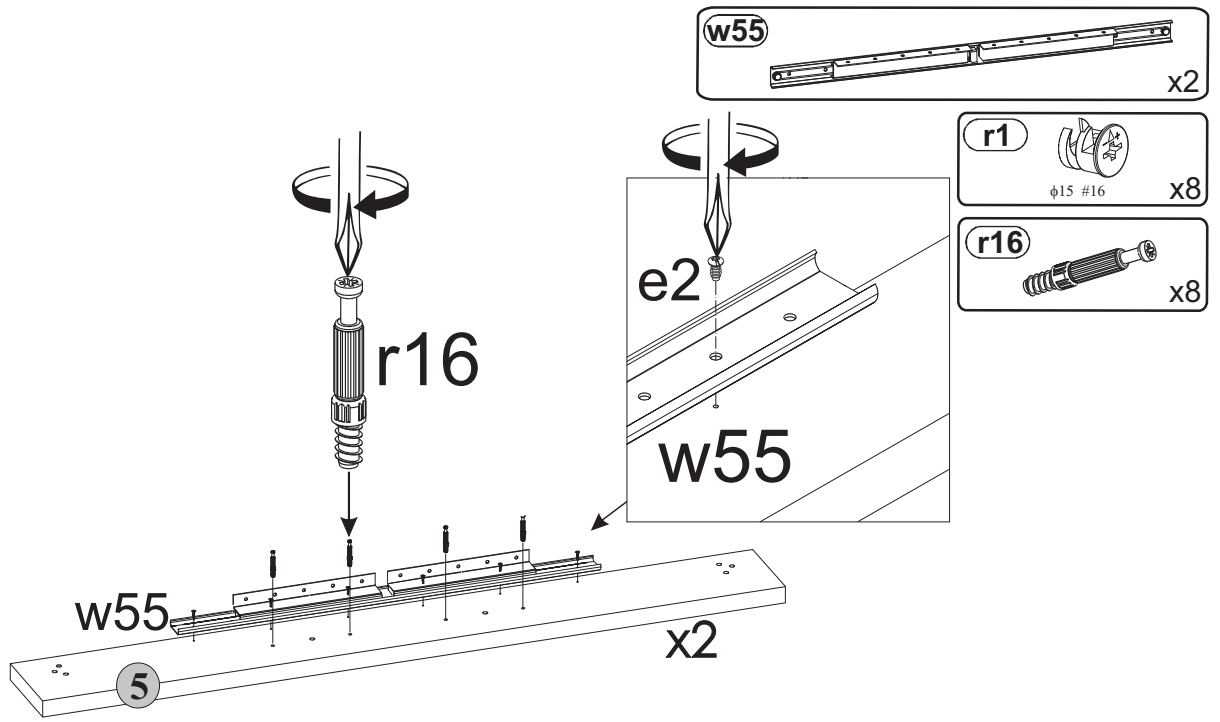
f5/2



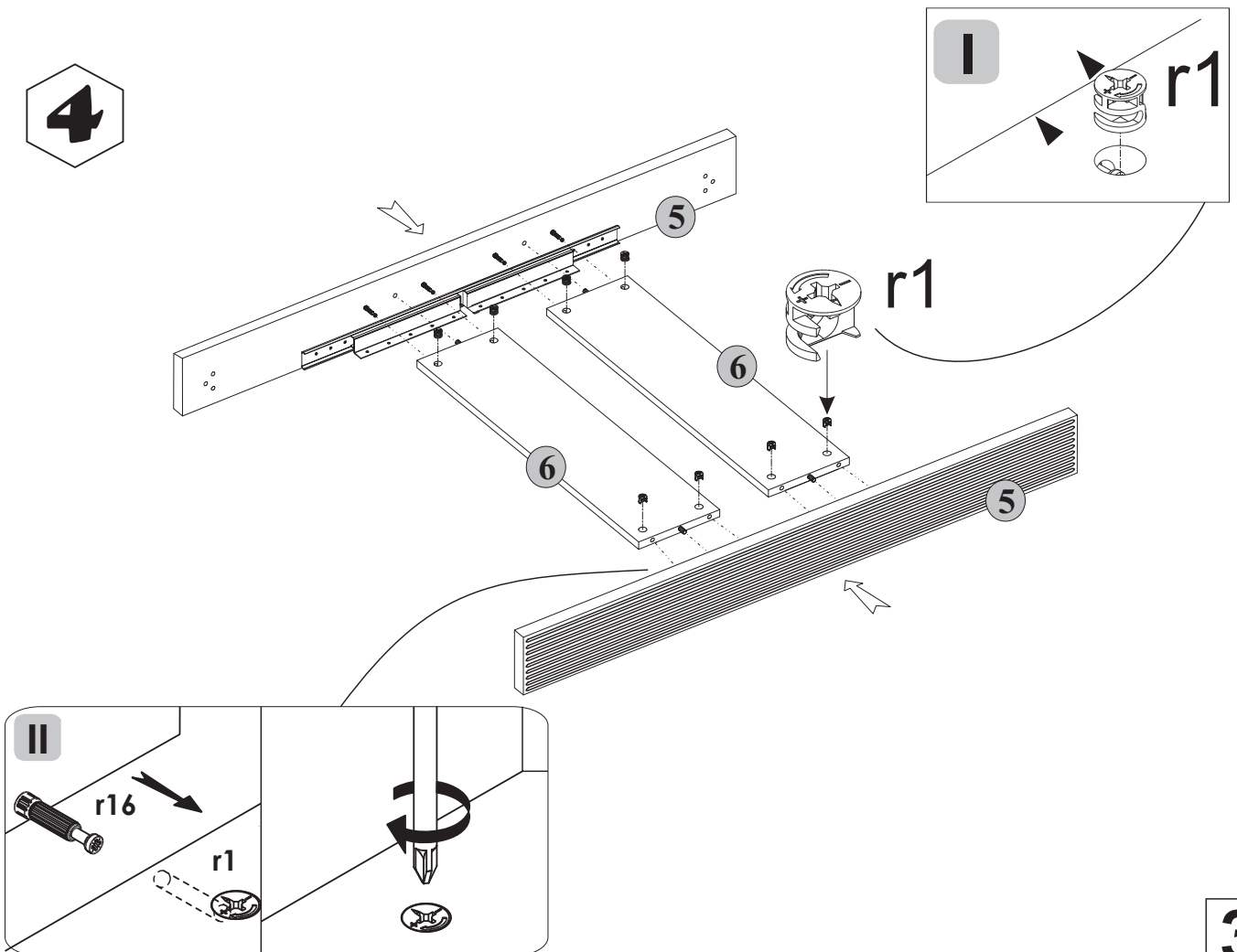
2



3

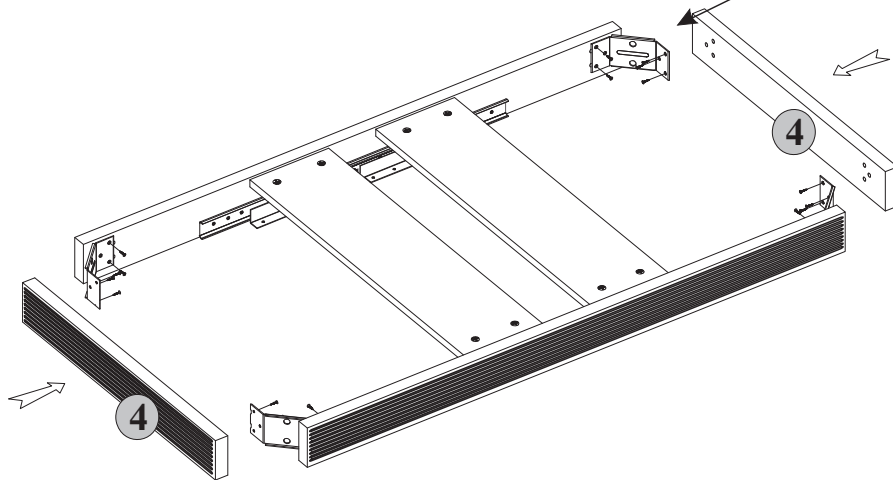
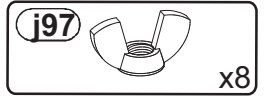
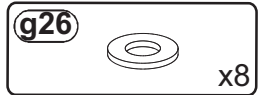
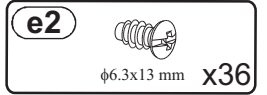
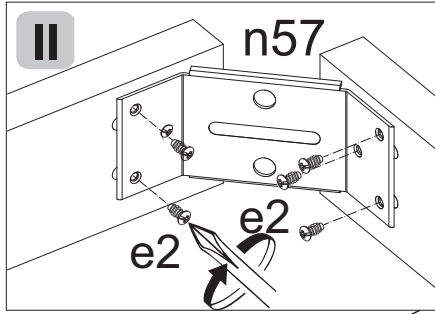
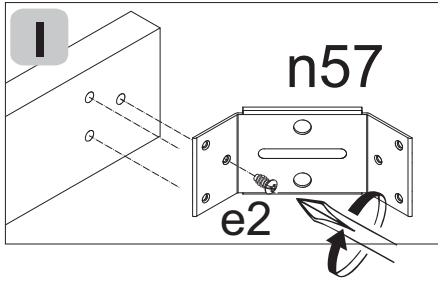


4

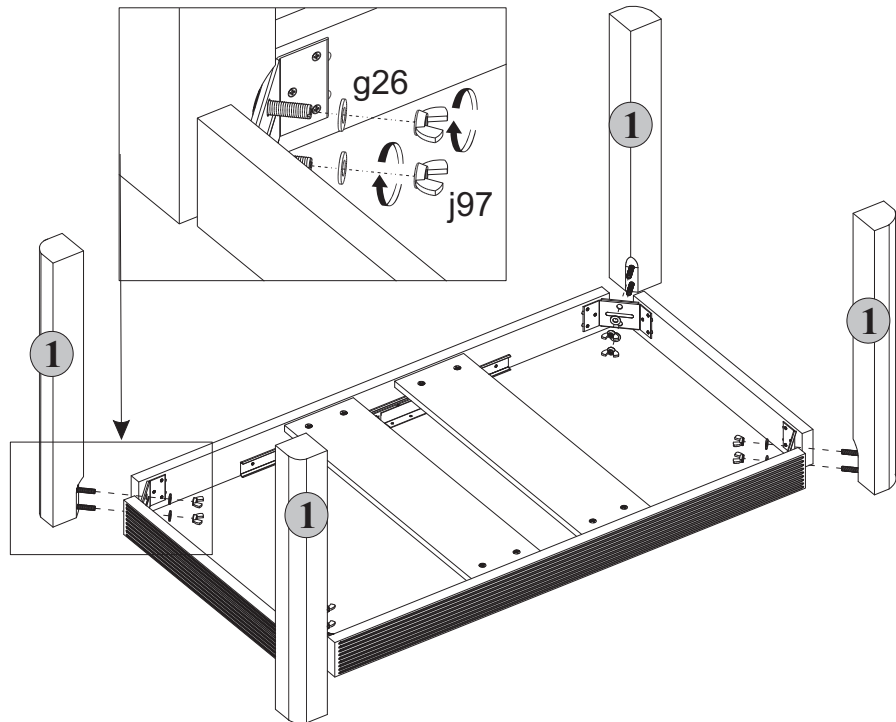


3

5

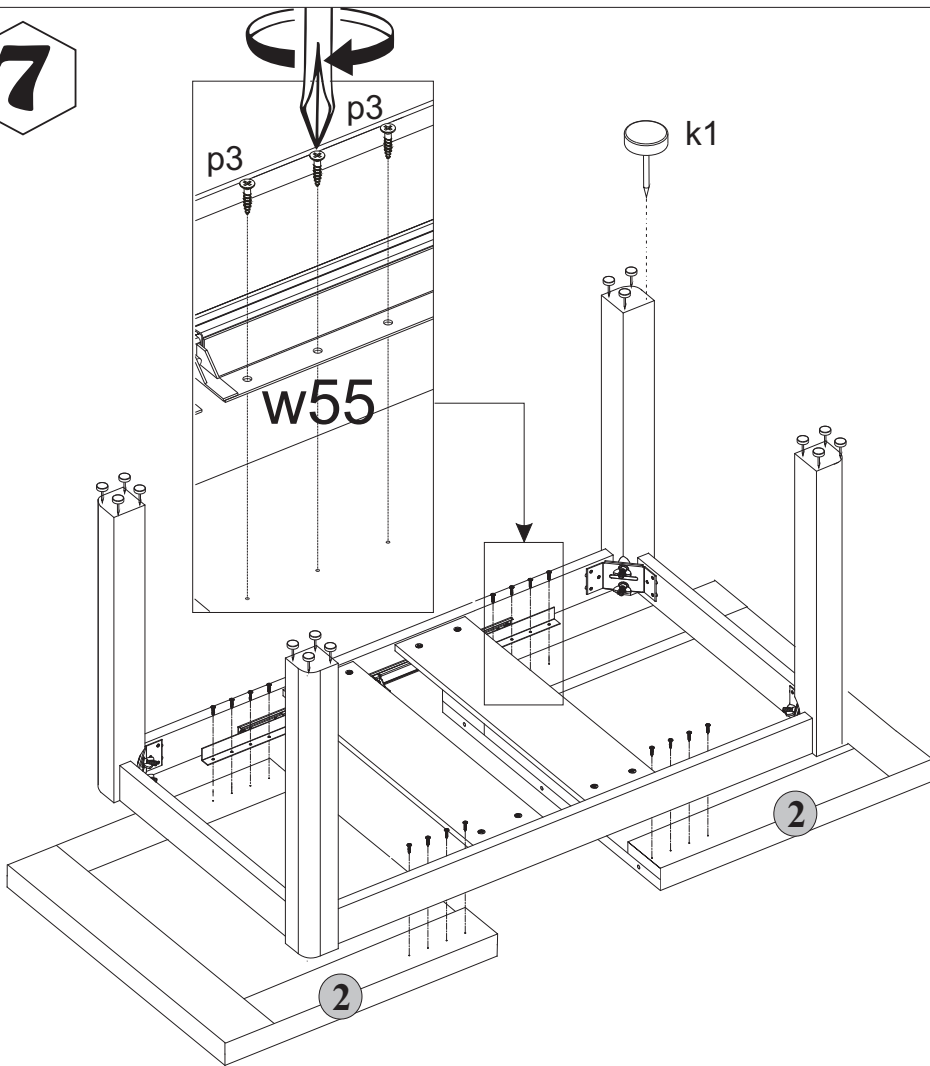


6



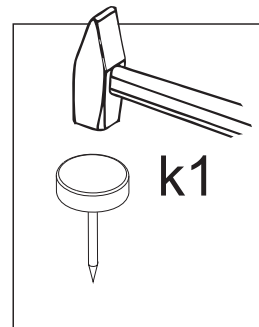
4

7

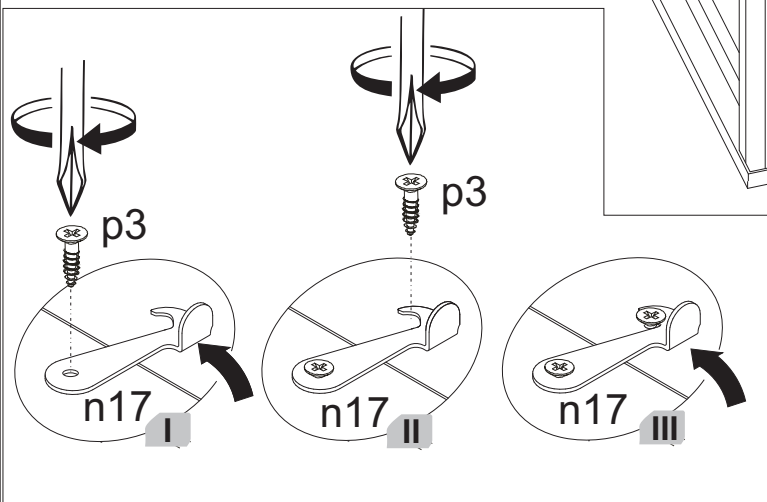
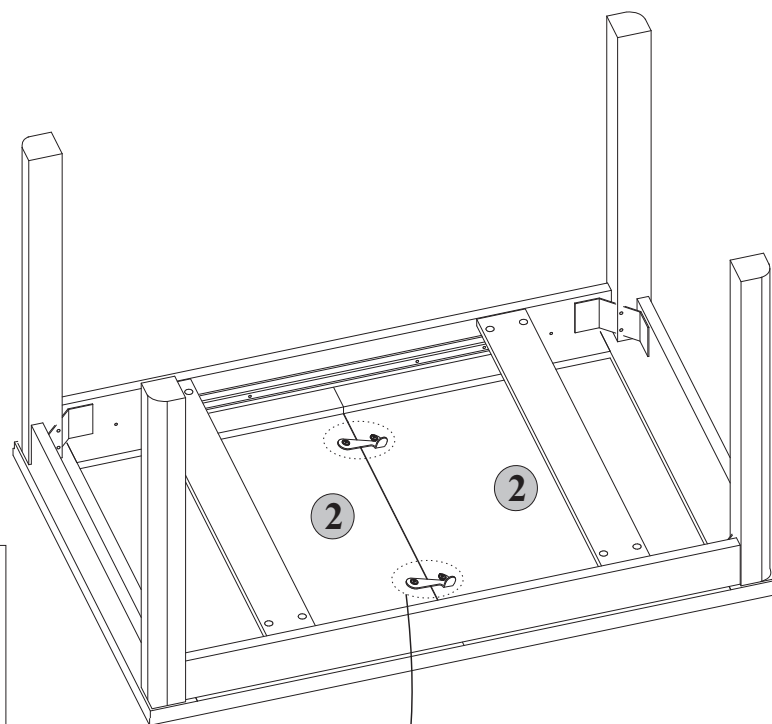


p3 $\phi 3.5 \times 16$ mm x22

n17 x2

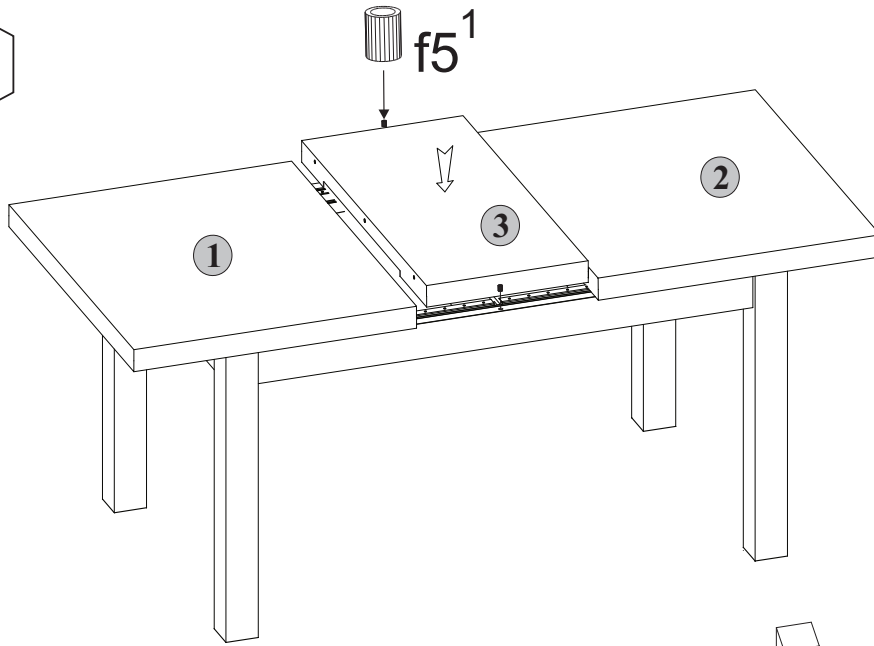





8



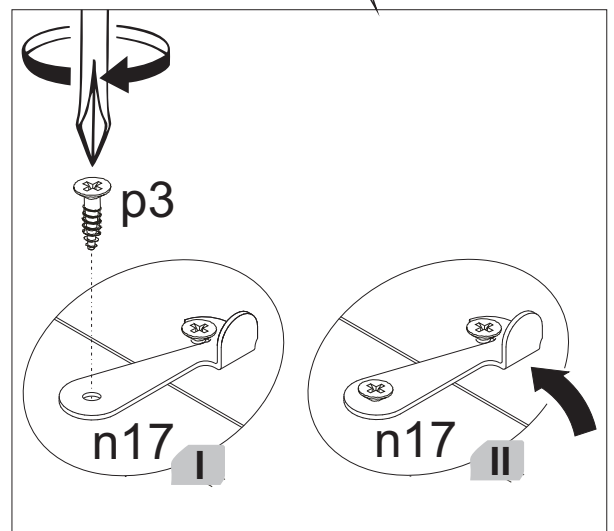
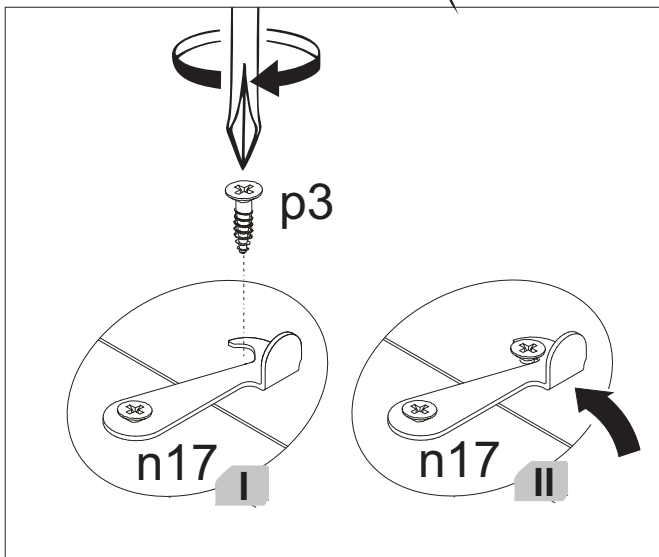
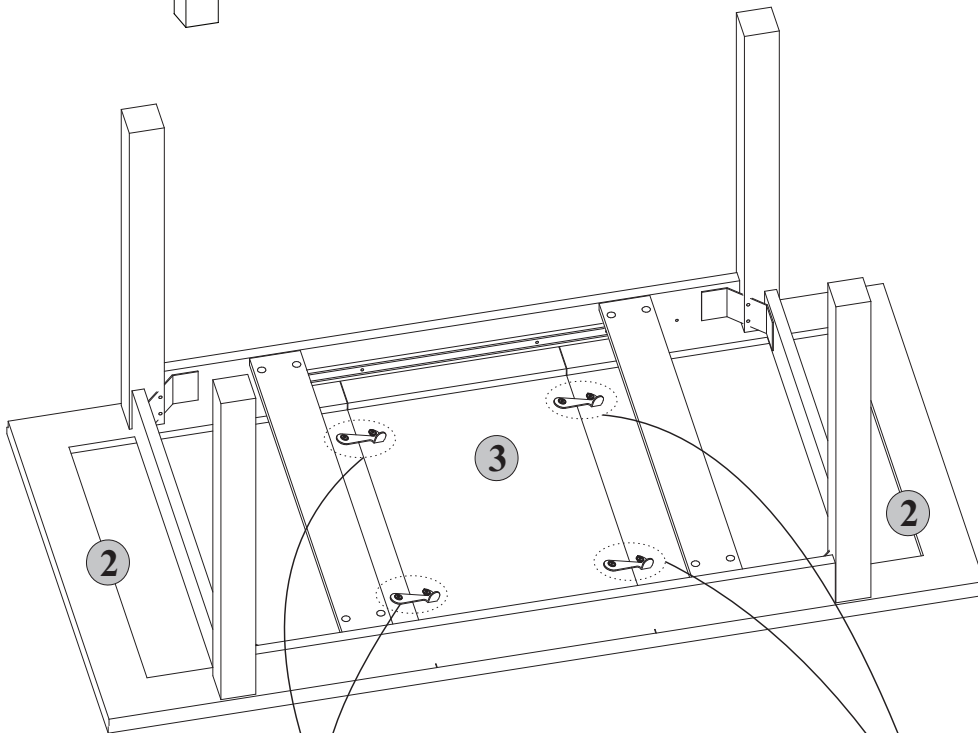
5

9



- p3**  $\phi 3.5 \times 16$ mm x4
- n17**  x2
- f5/1**  x2

10



6

11

