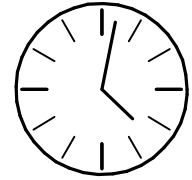
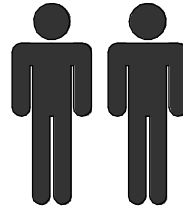
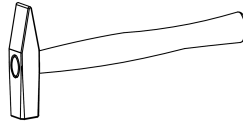
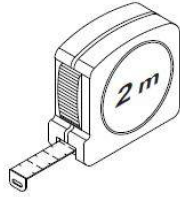
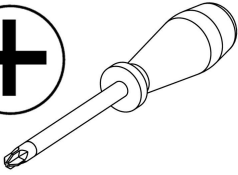
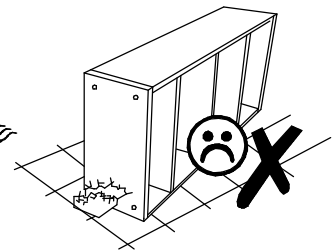
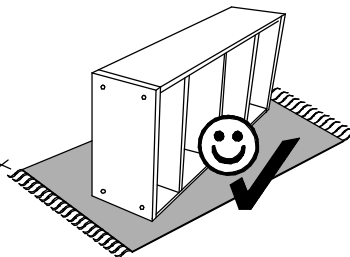
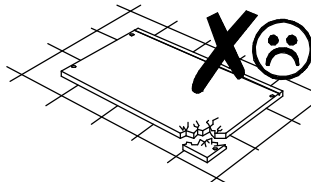
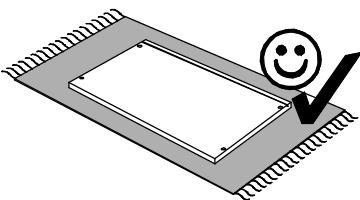
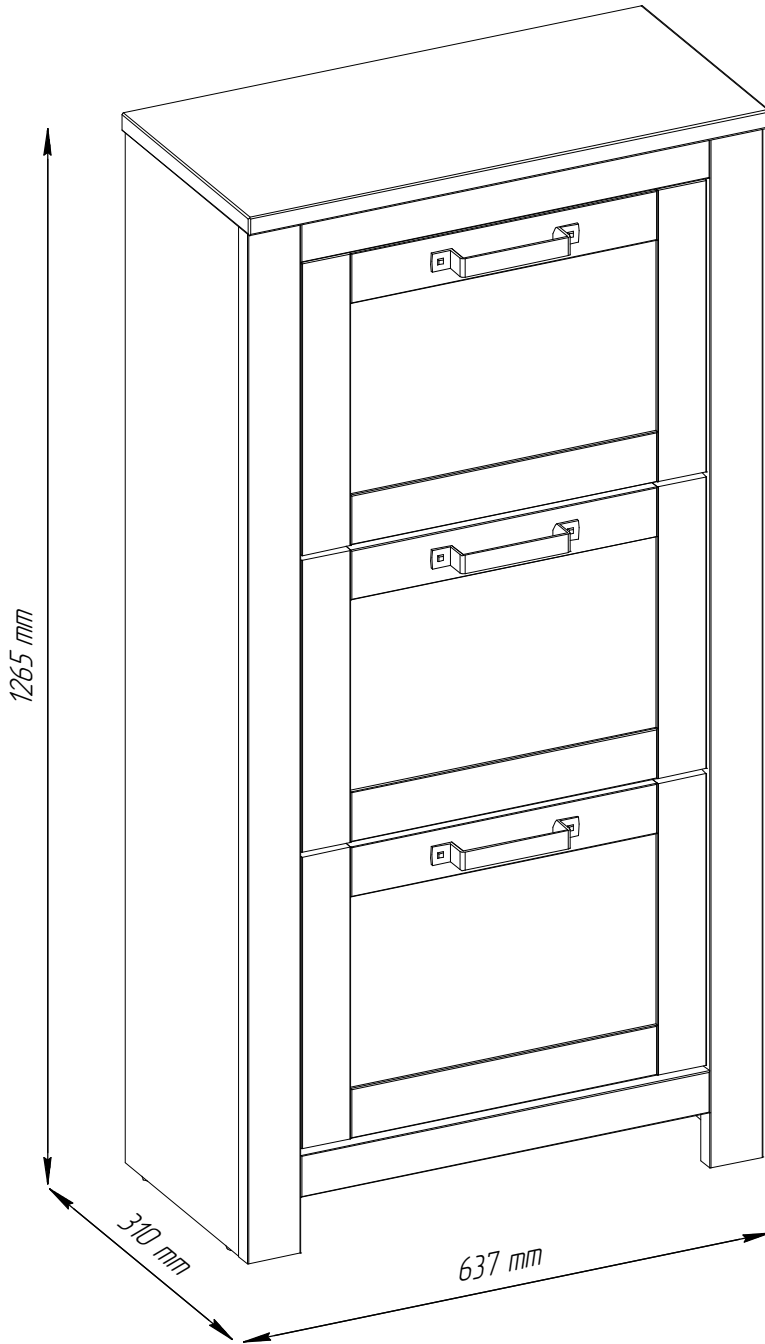
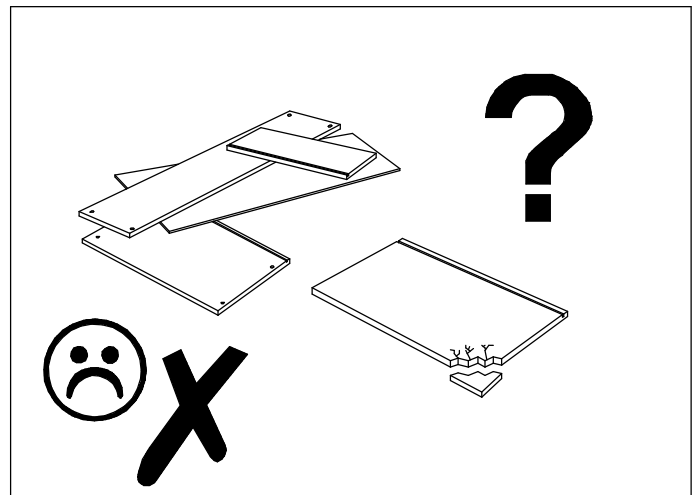
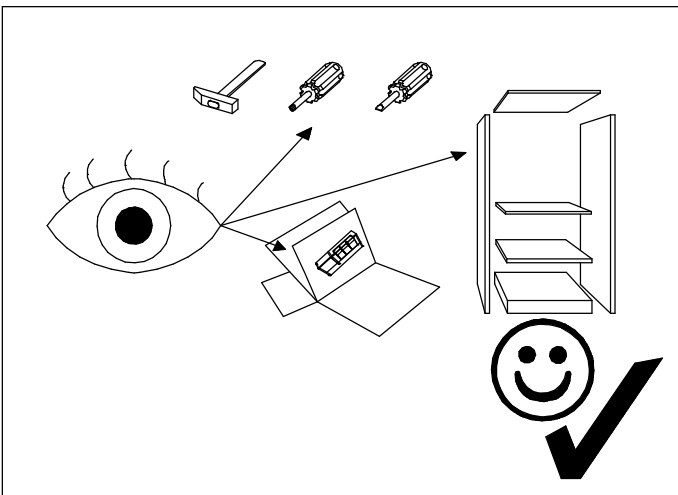
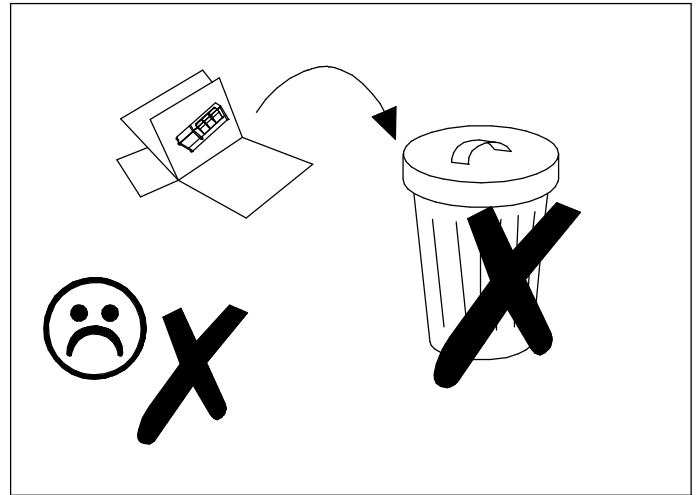
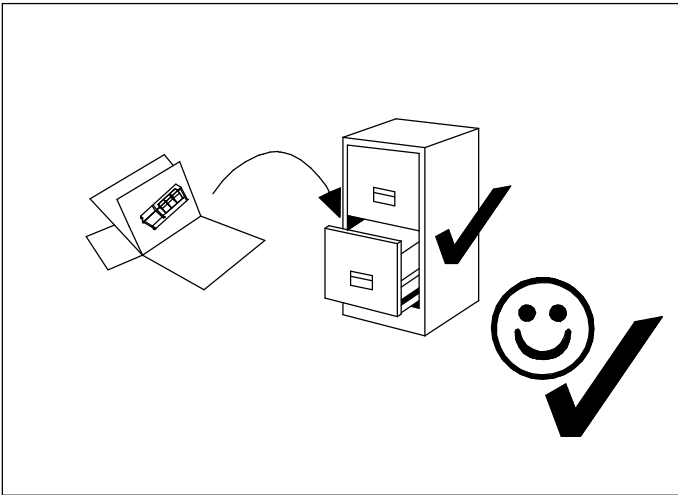
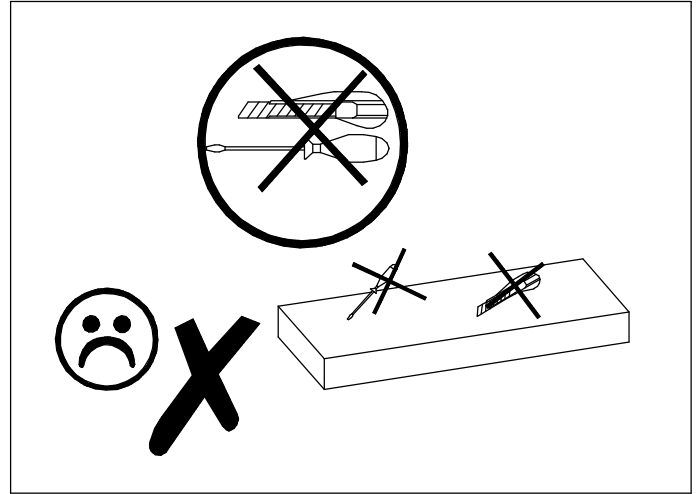
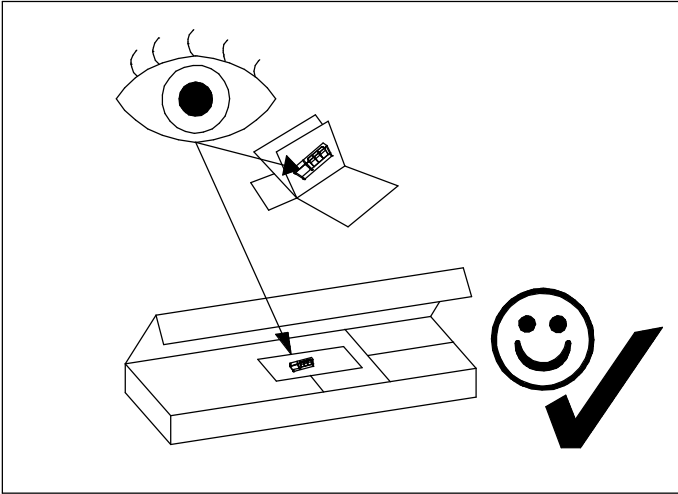


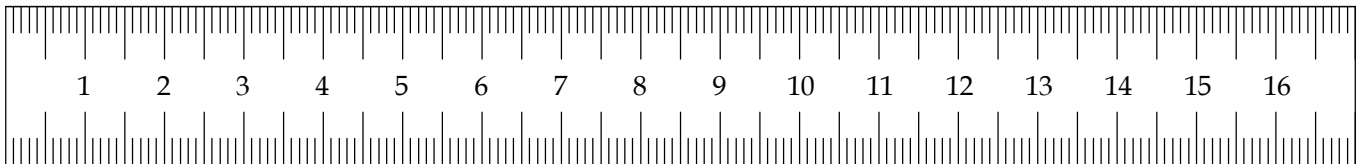
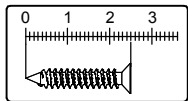
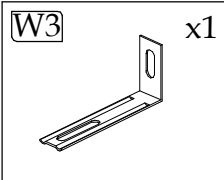
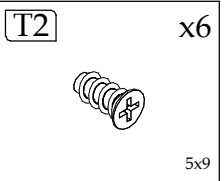
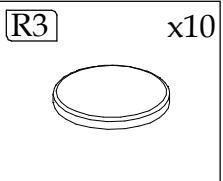
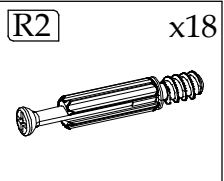
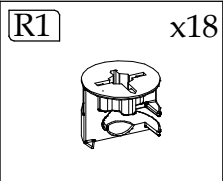
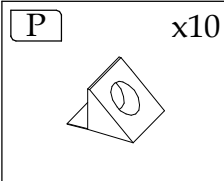
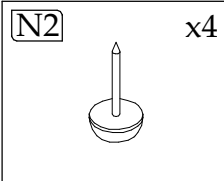
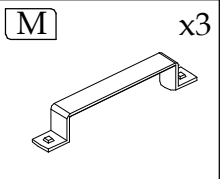
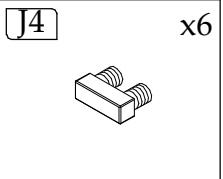
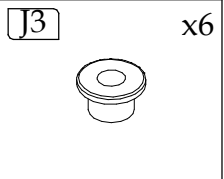
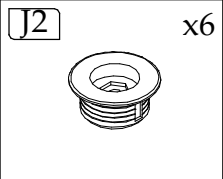
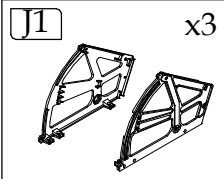
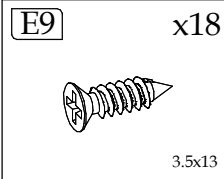
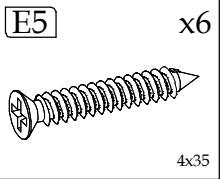
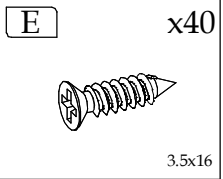
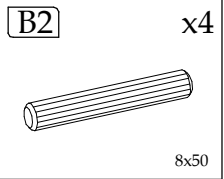
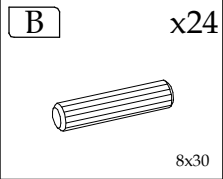
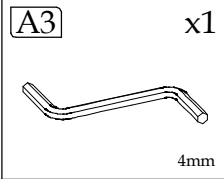
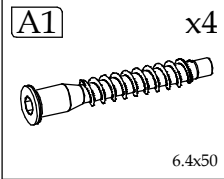
# LANZETTE J



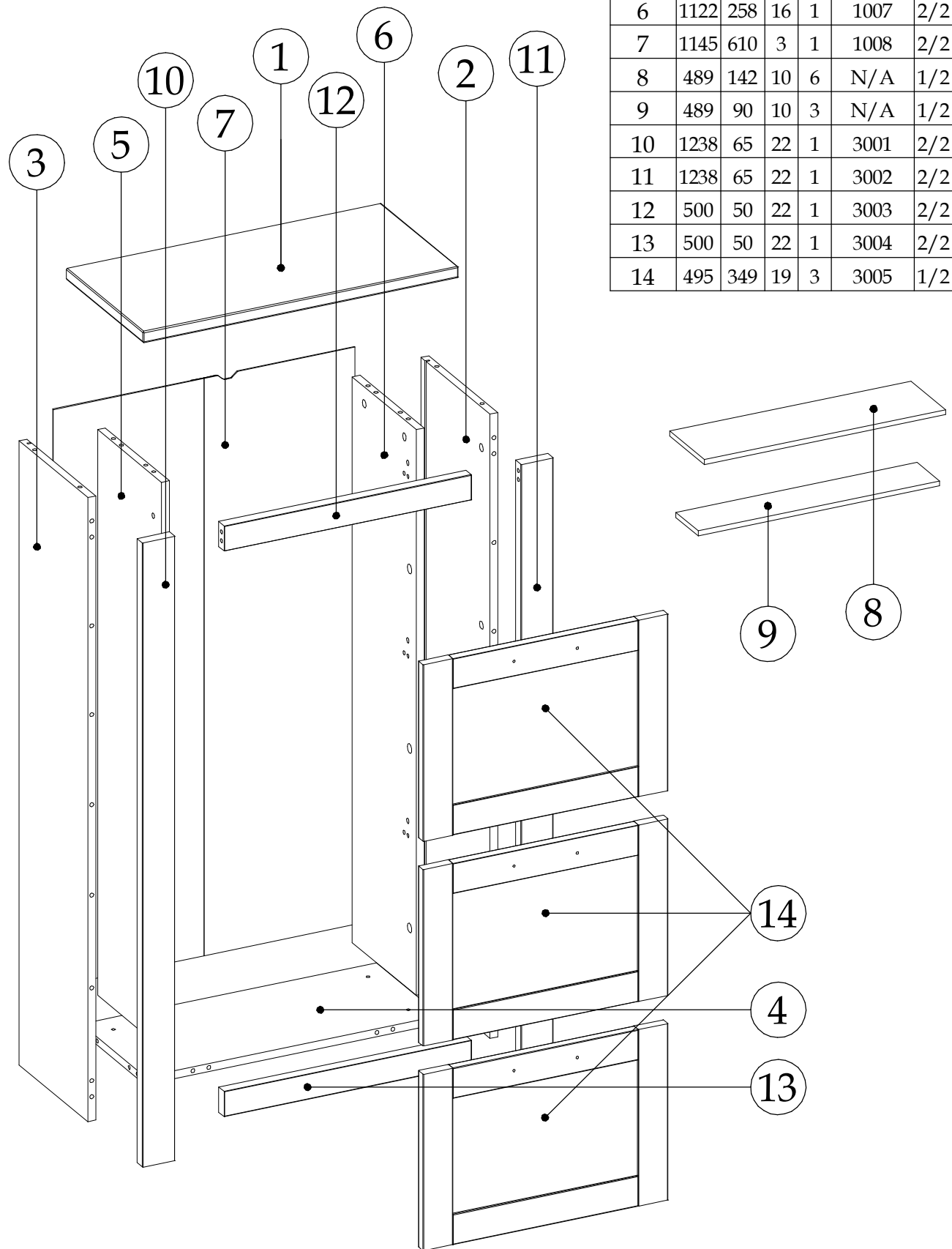
80 min

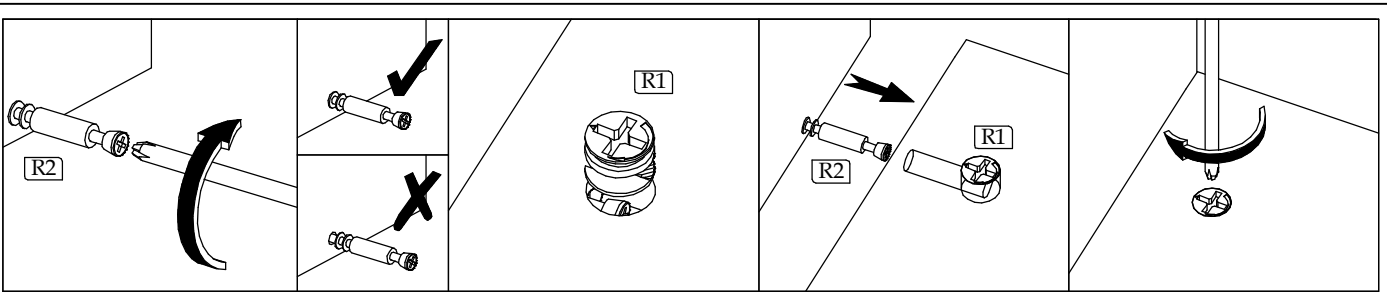




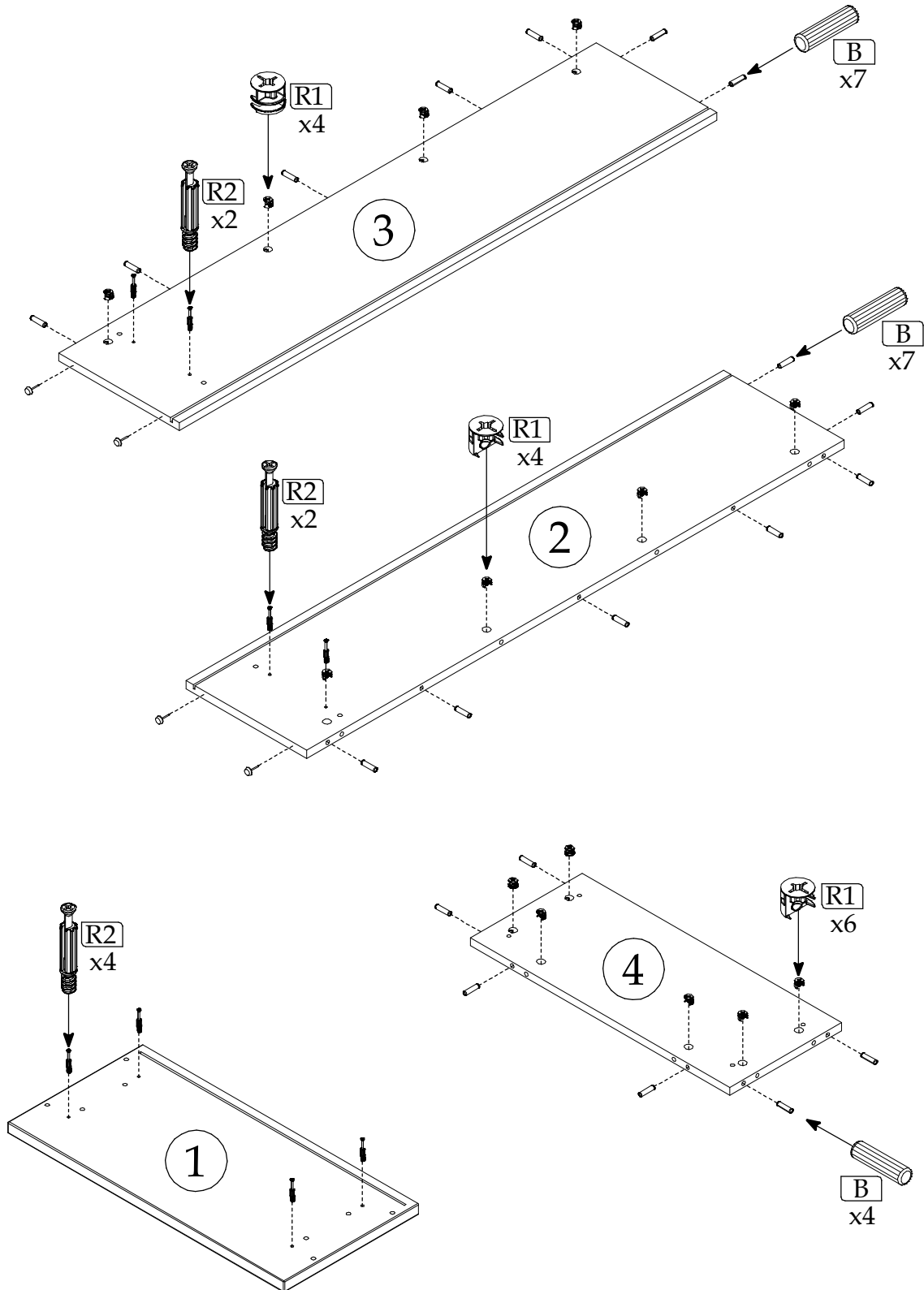


Element symbol	Measurements				Code	Paket
1	637	310	22	1	1002	1/2
2	1238	278	16	1	1001	2/2
3	1238	278	16	1	1003	2/2
4	597	258	16	1	1004	2/2
5	1122	258	16	1	1006	2/2
6	1122	258	16	1	1007	2/2
7	1145	610	3	1	1008	2/2
8	489	142	10	6	N/A	1/2
9	489	90	10	3	N/A	1/2
10	1238	65	22	1	3001	2/2
11	1238	65	22	1	3002	2/2
12	500	50	22	1	3003	2/2
13	500	50	22	1	3004	2/2
14	495	349	19	3	3005	1/2

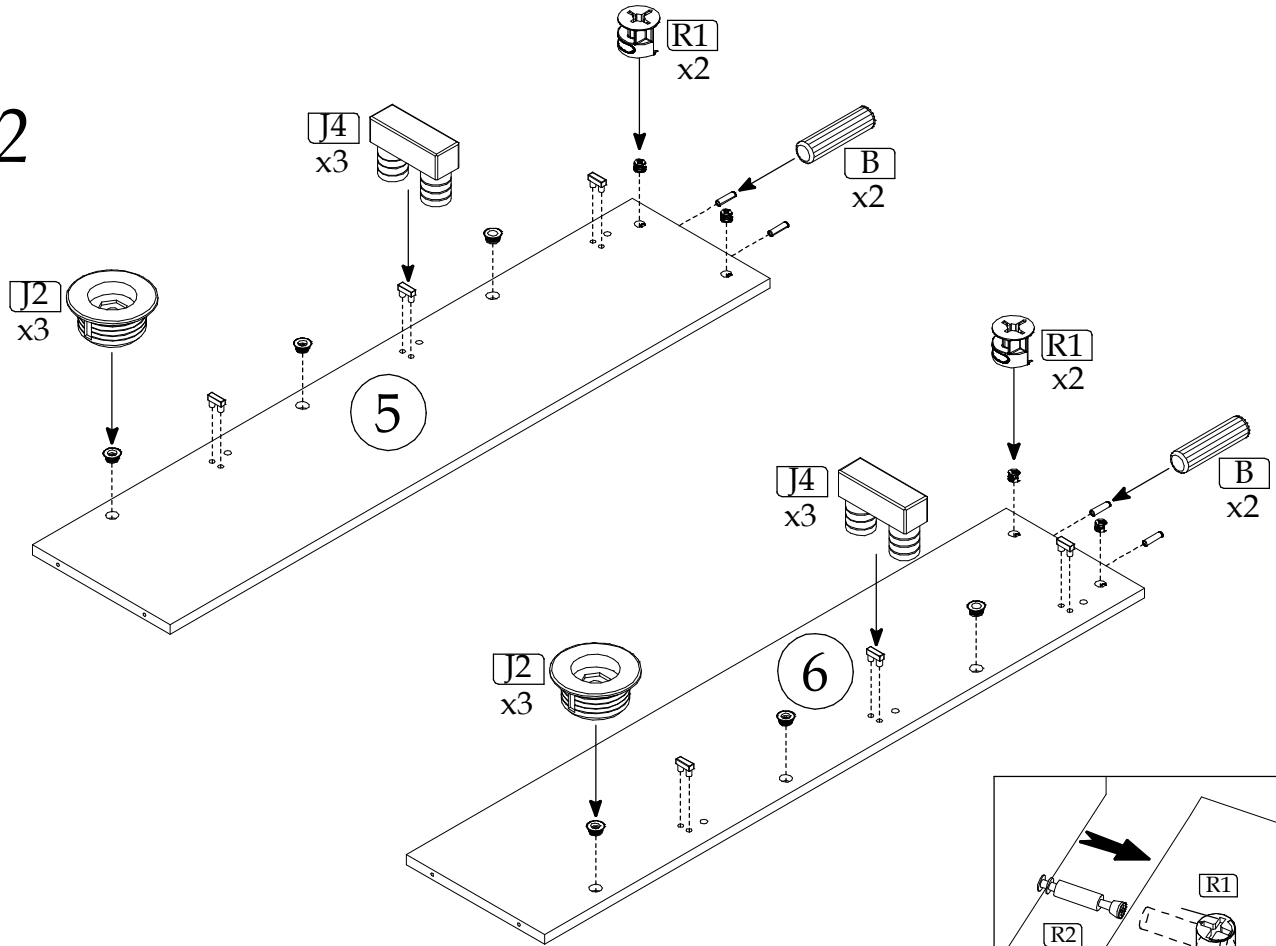




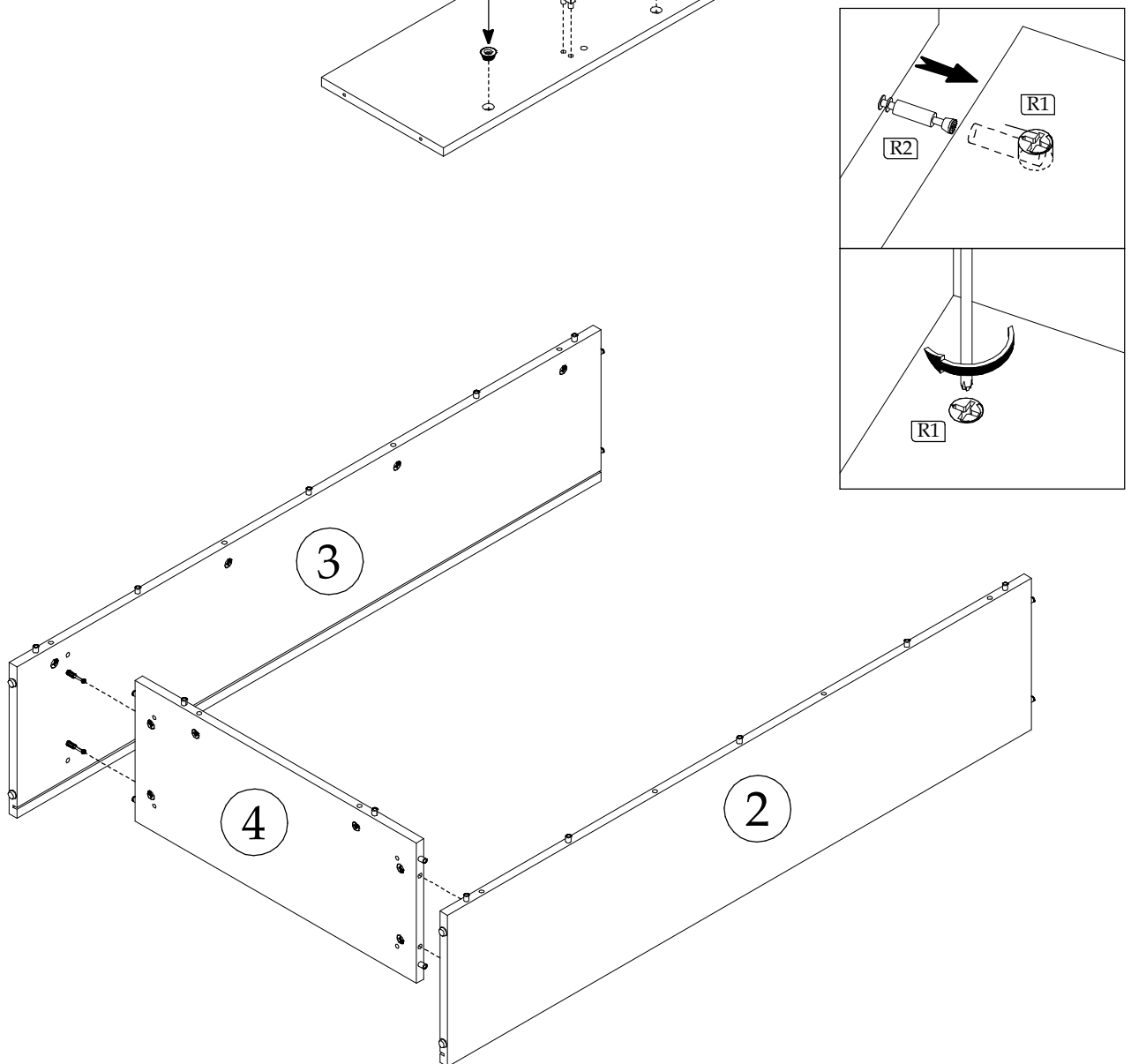
► 1



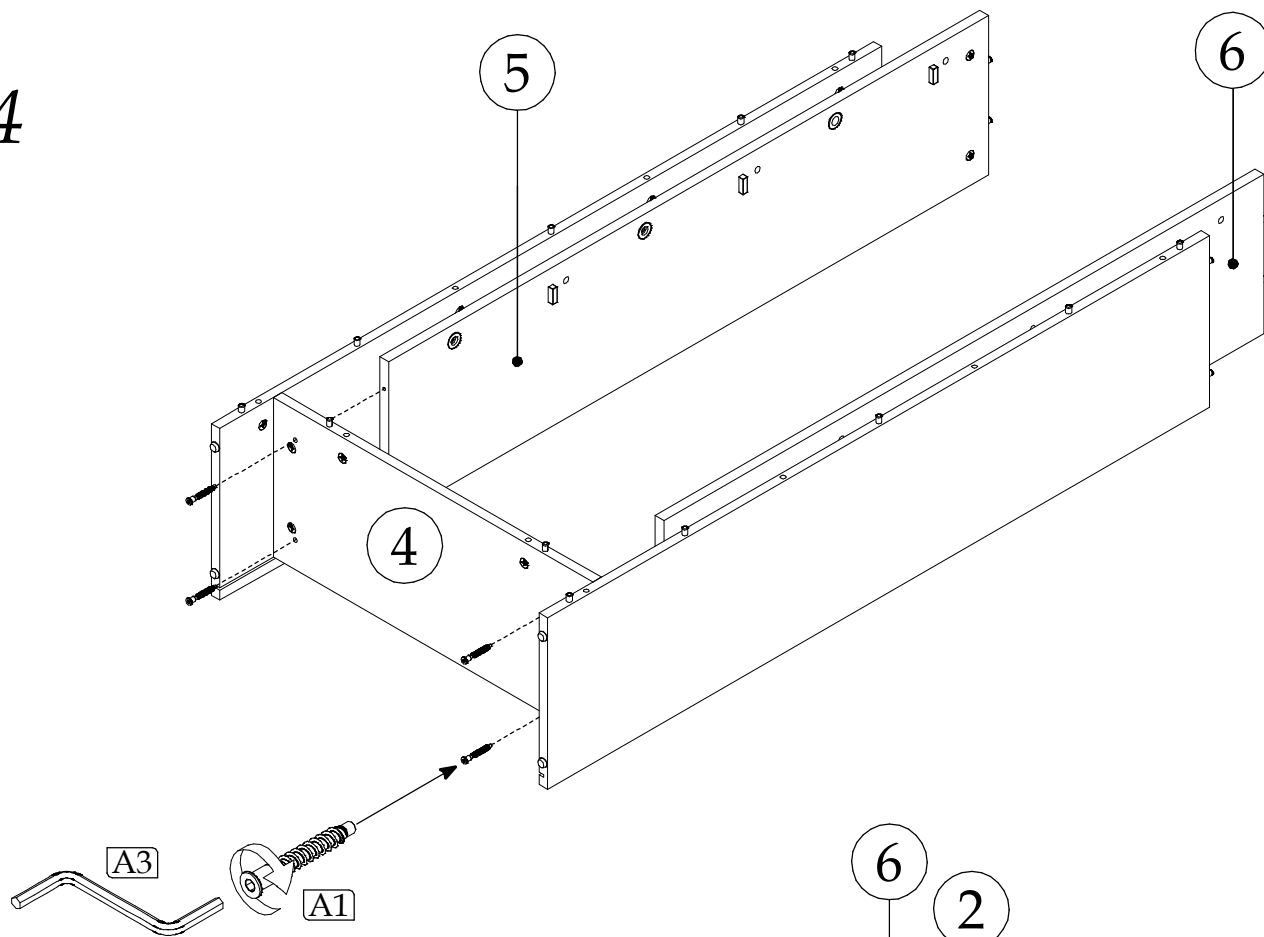
▶ 2



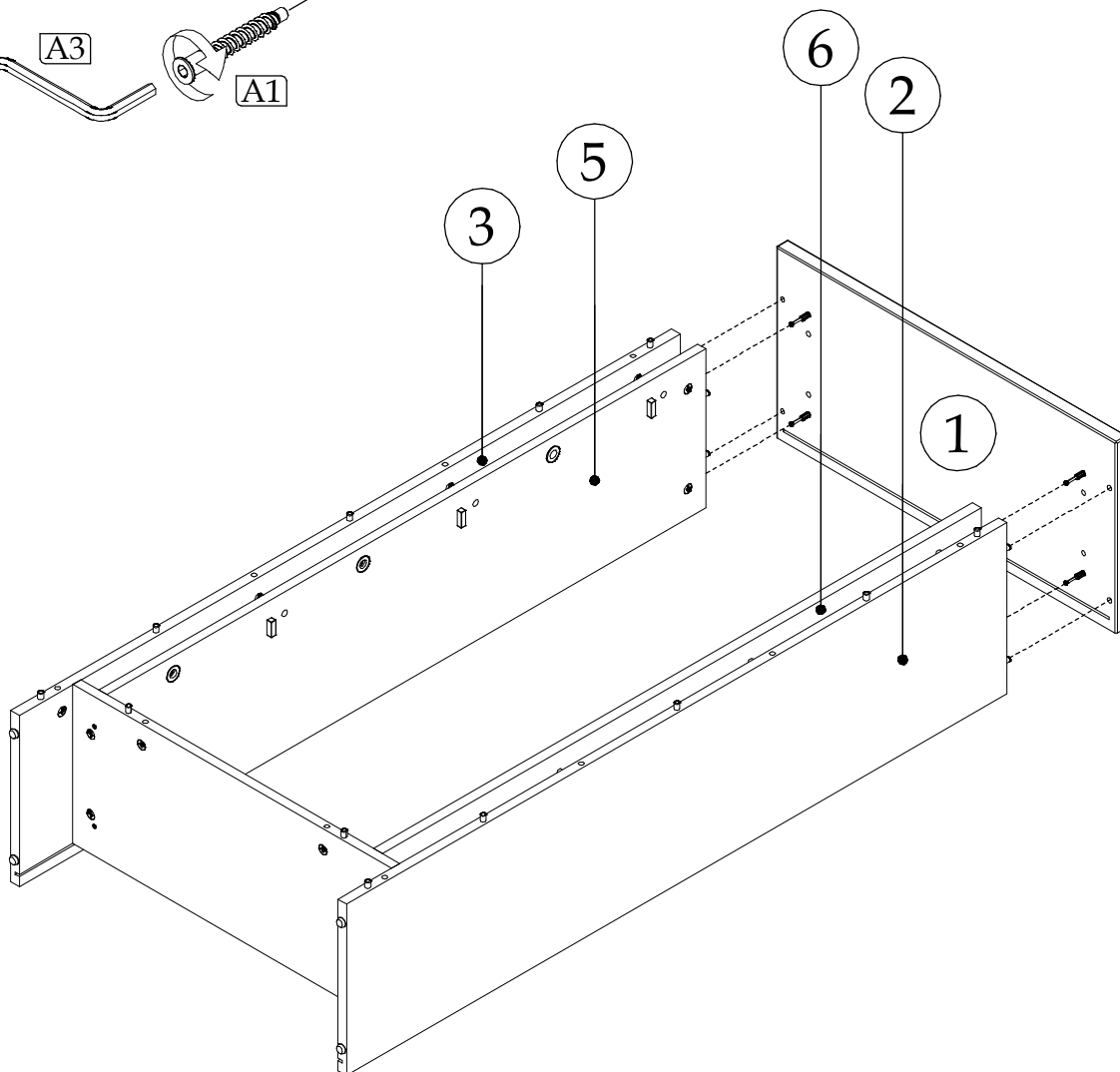
▶ 3



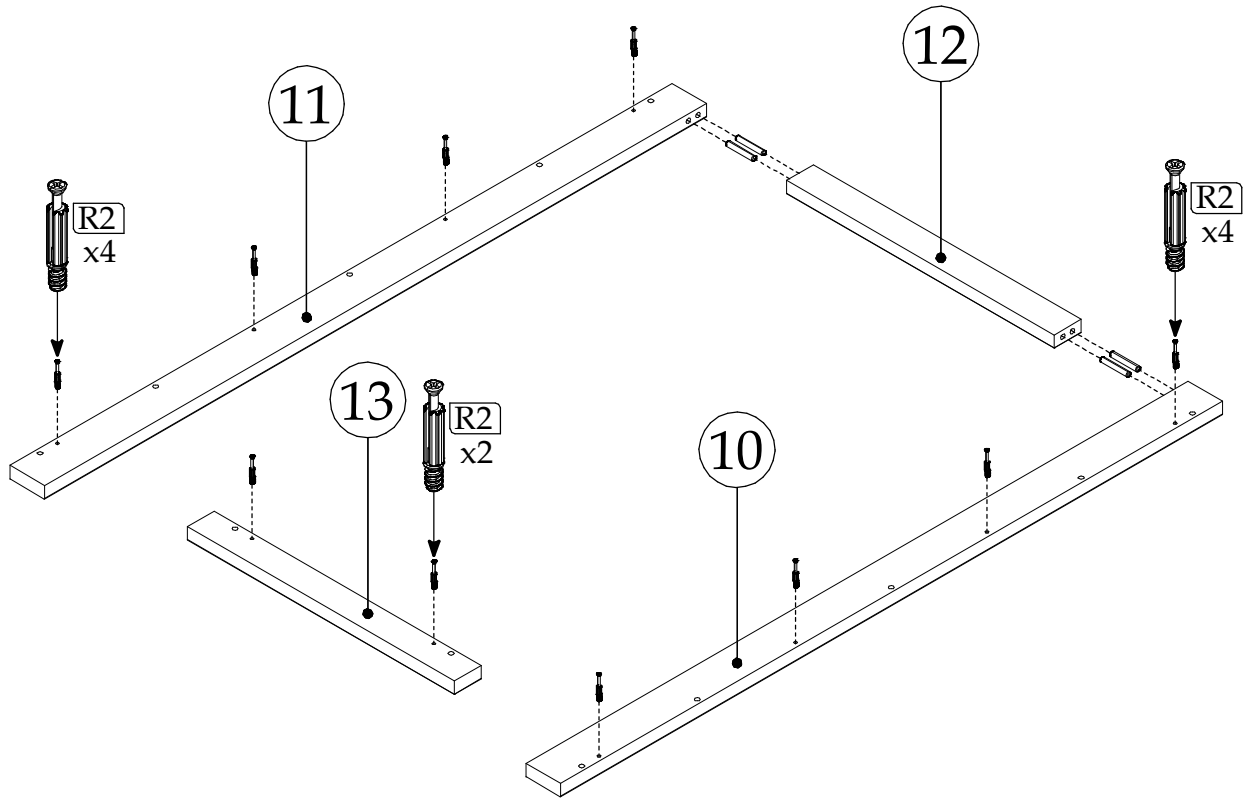
► 4



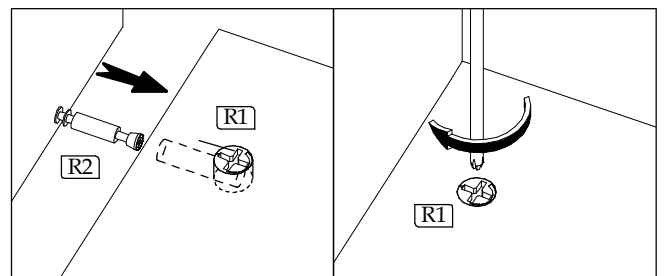
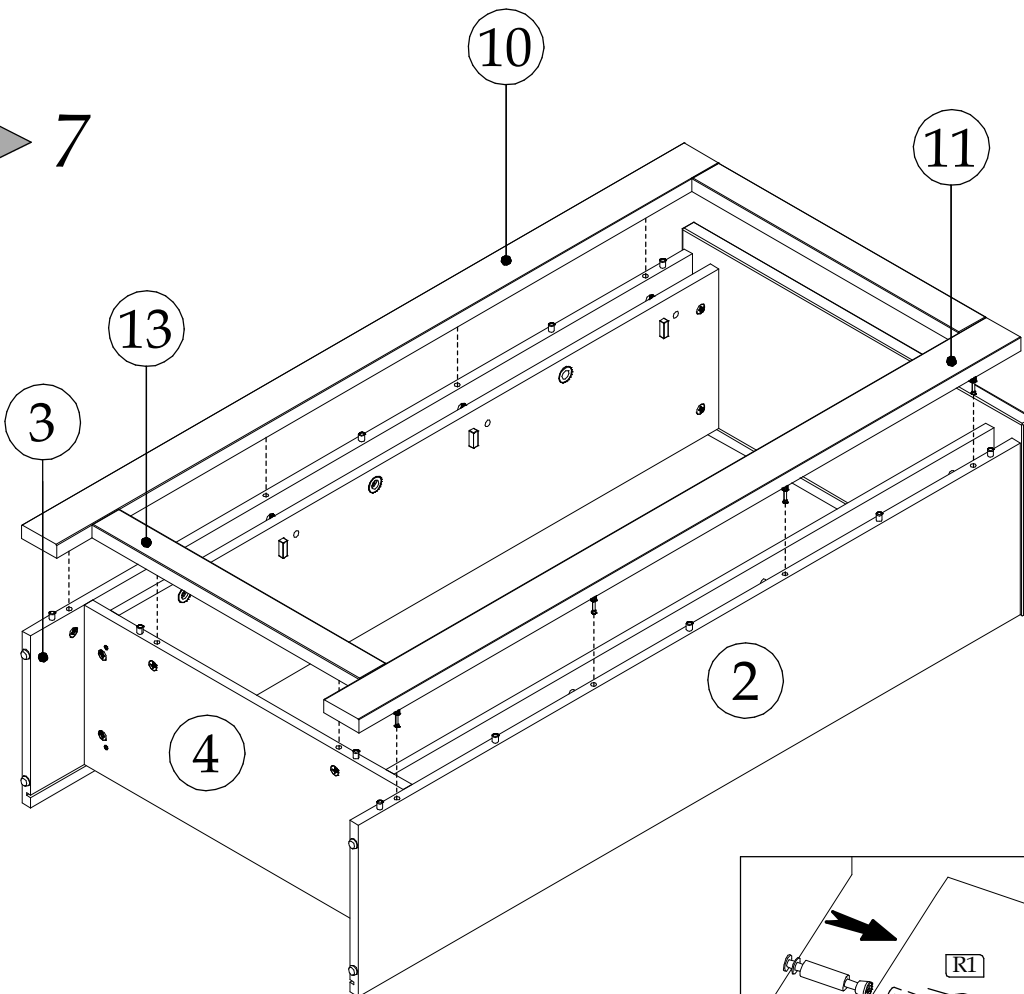
► 5



▶ 6

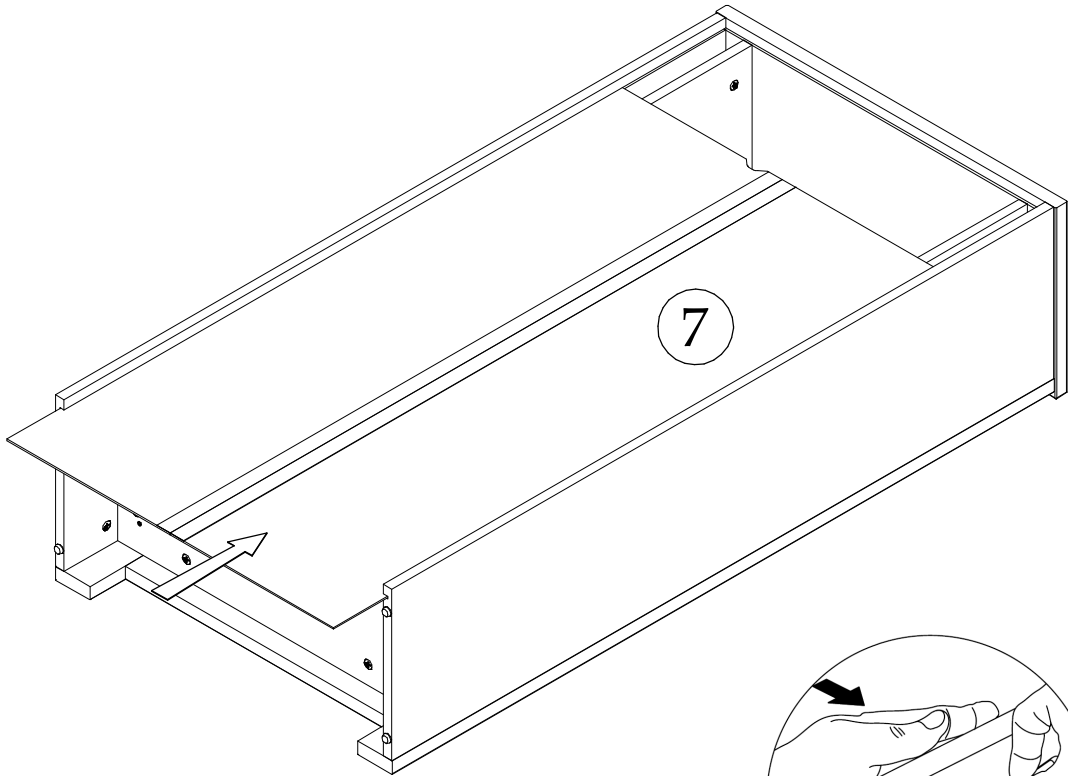


▶ 7

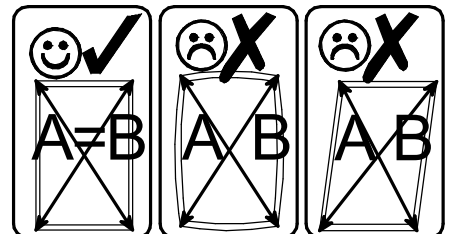
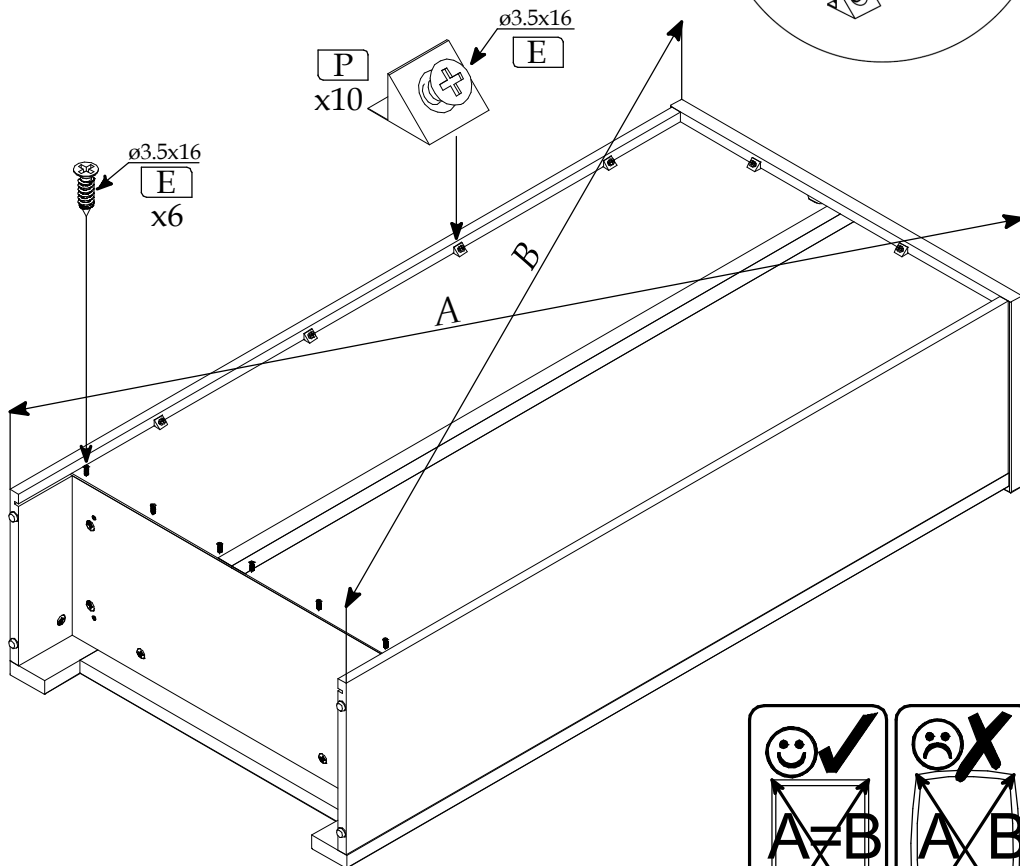




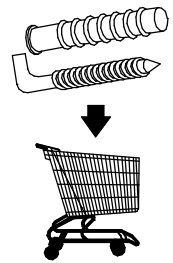
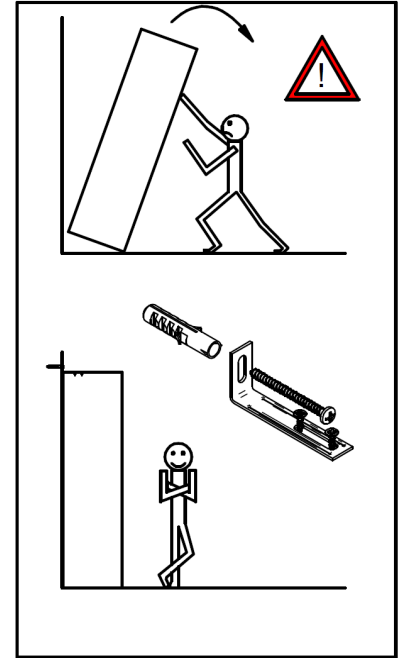
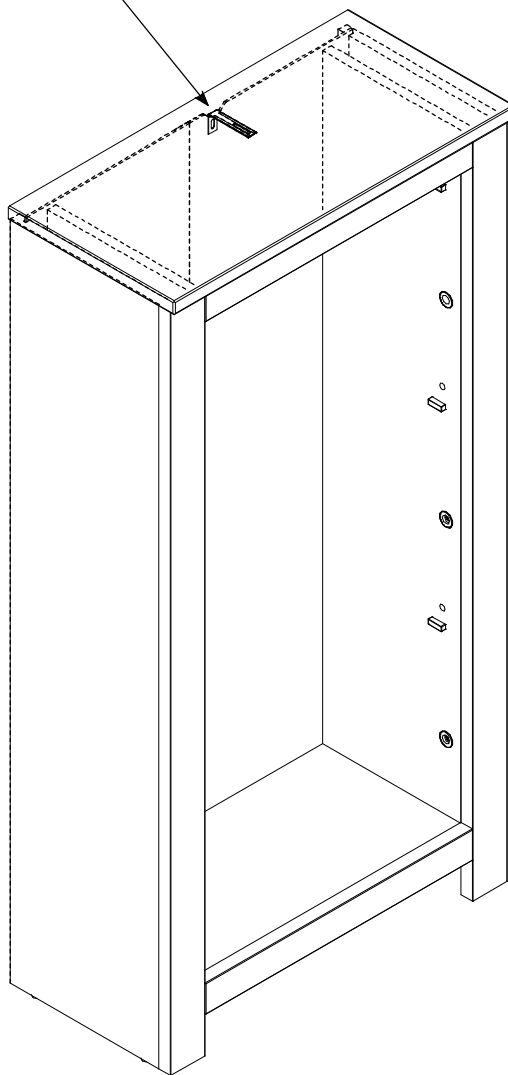
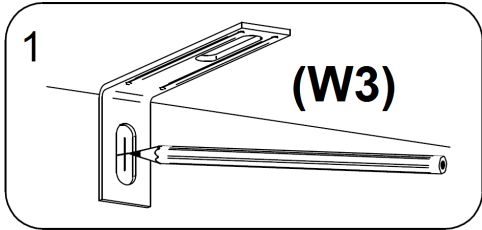
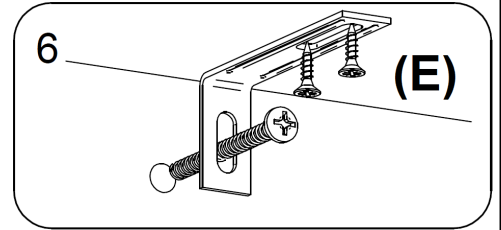
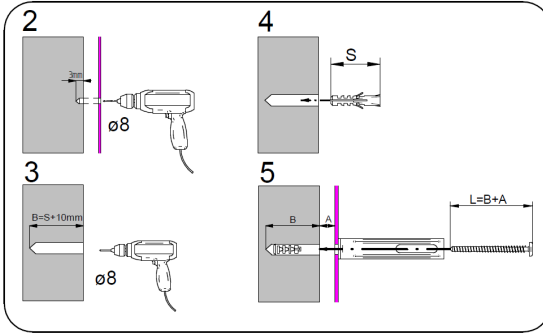
▶ 8



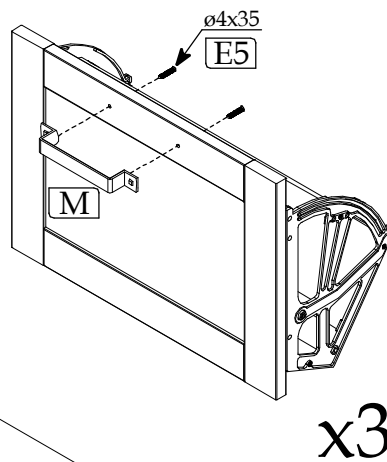
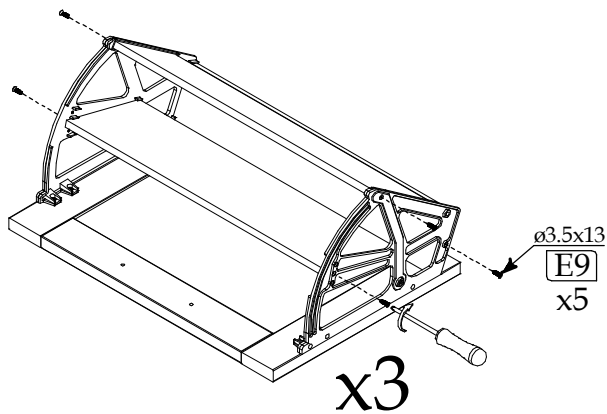
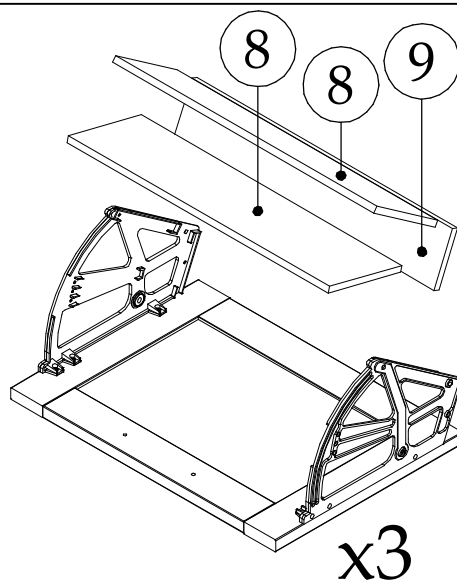
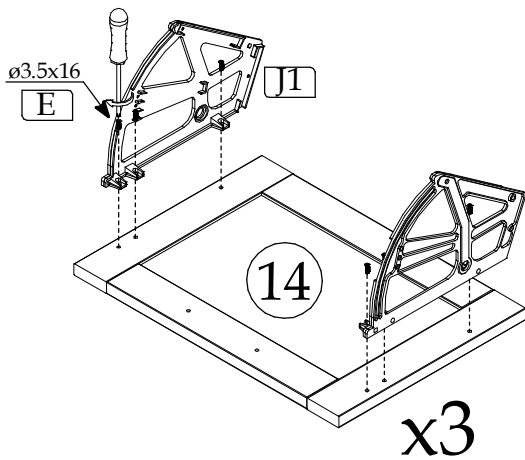
▶ 9



▶ 10



▶ 11



▶ 12

