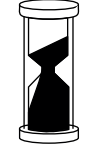
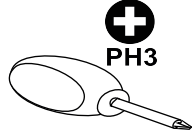
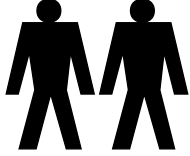


BELLA

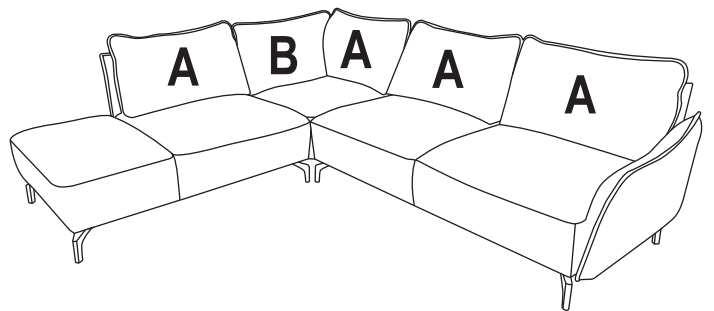
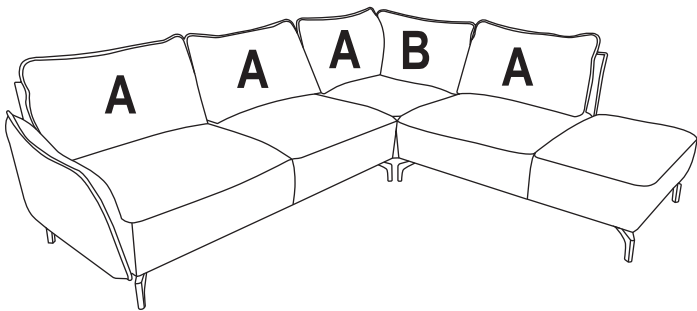


30min

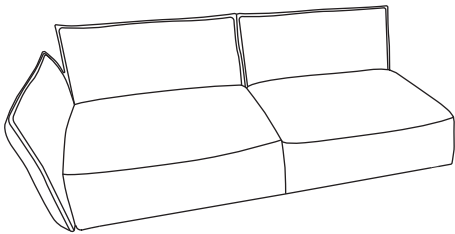


+

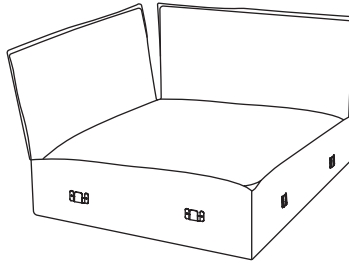
PH3



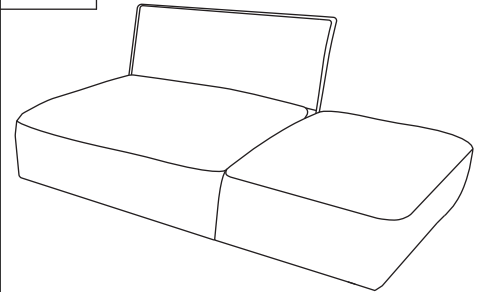
I



II



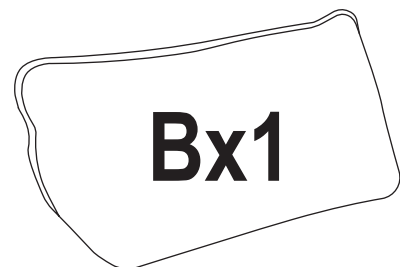
III



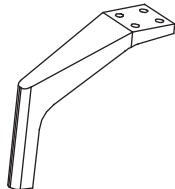
IV



V

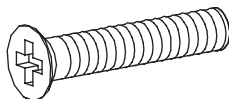


Cx6



H= 155 mm

Dx24



M6x30



+

PH3

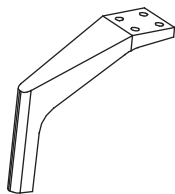
Ex6



H = 150 mm

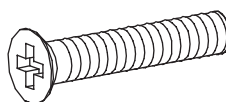
1

Cx3



H= 155 mm

Dx12



M6x30

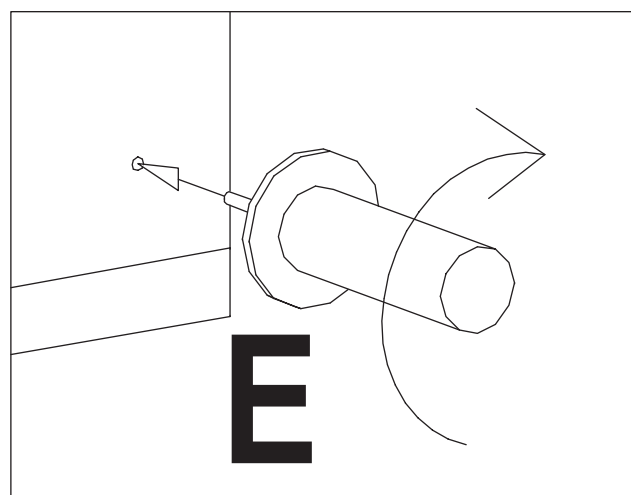
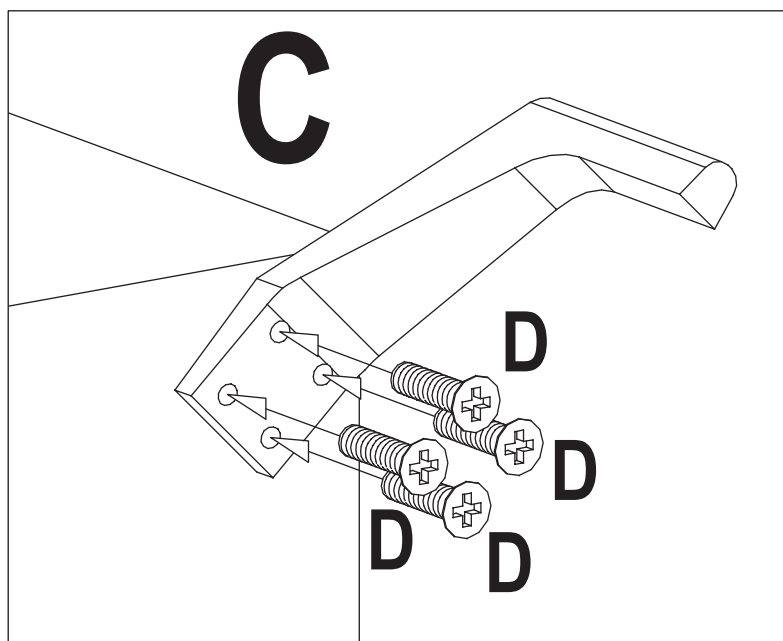
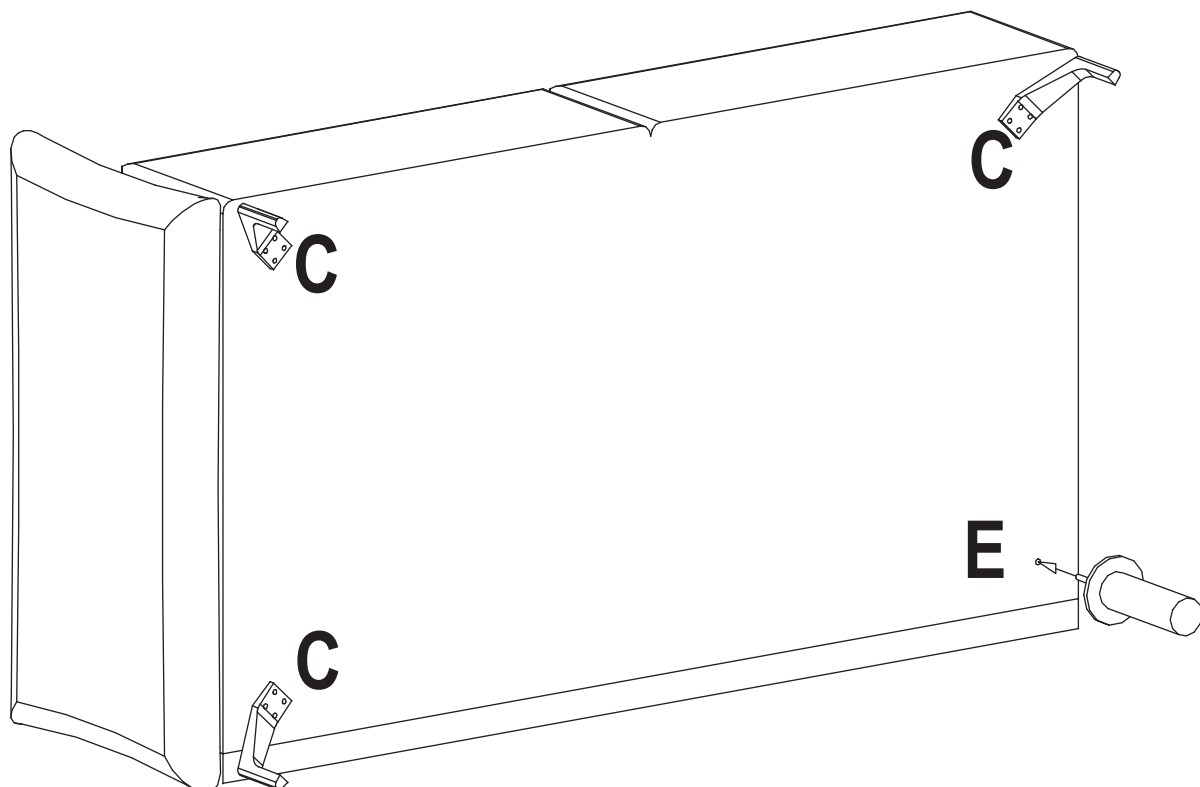


PH3

Ex1

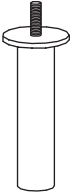


H = 150 mm

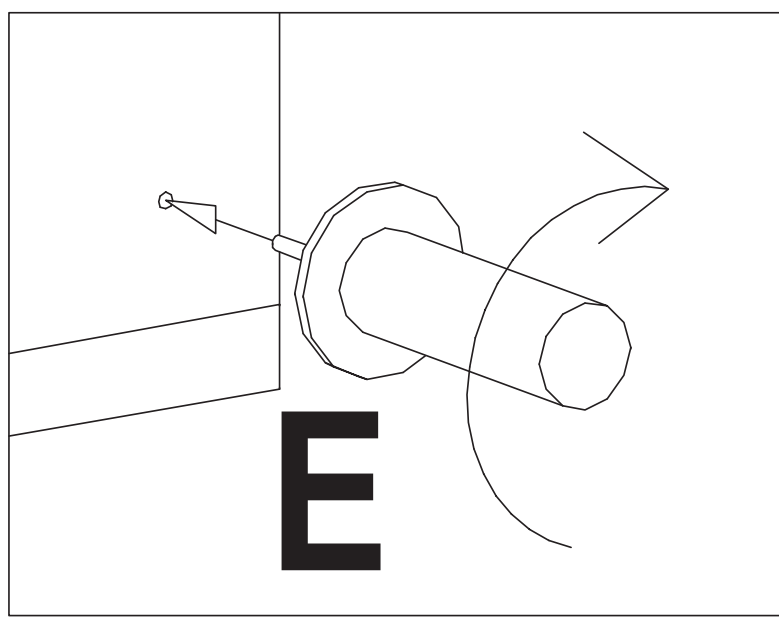
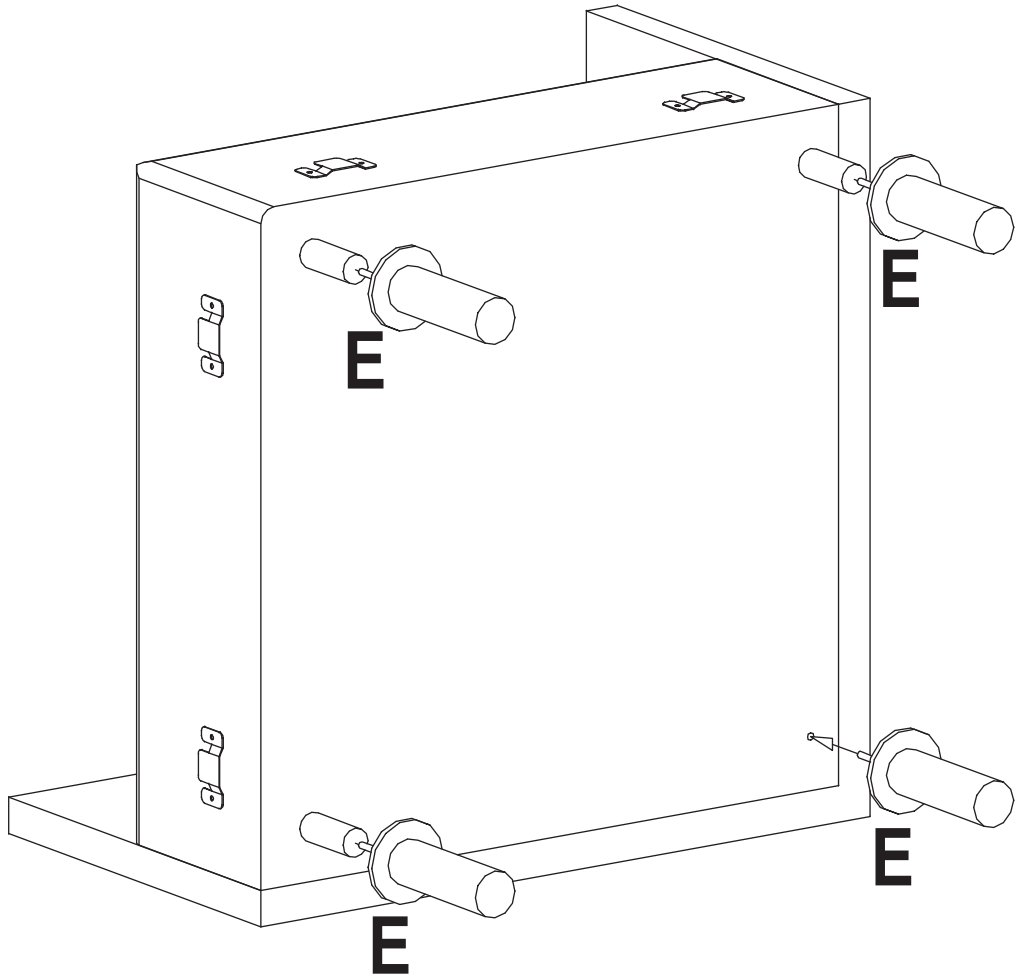


2

Ex4

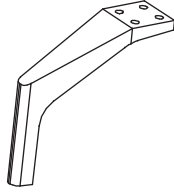


H = 150 mm



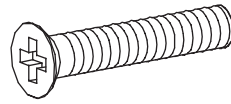
3

Cx3



H= 155 mm

Dx12



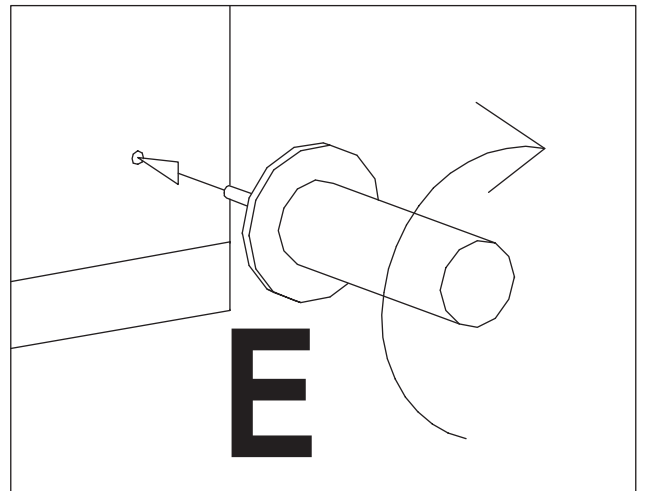
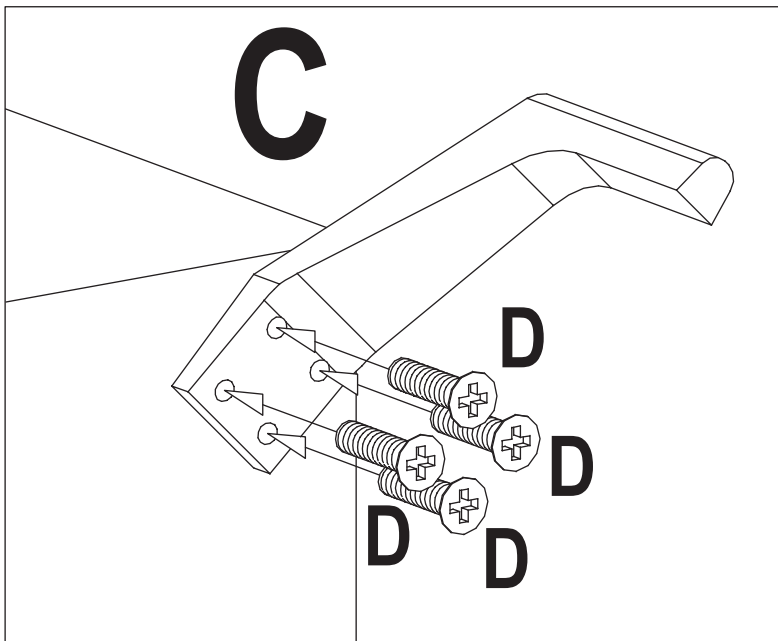
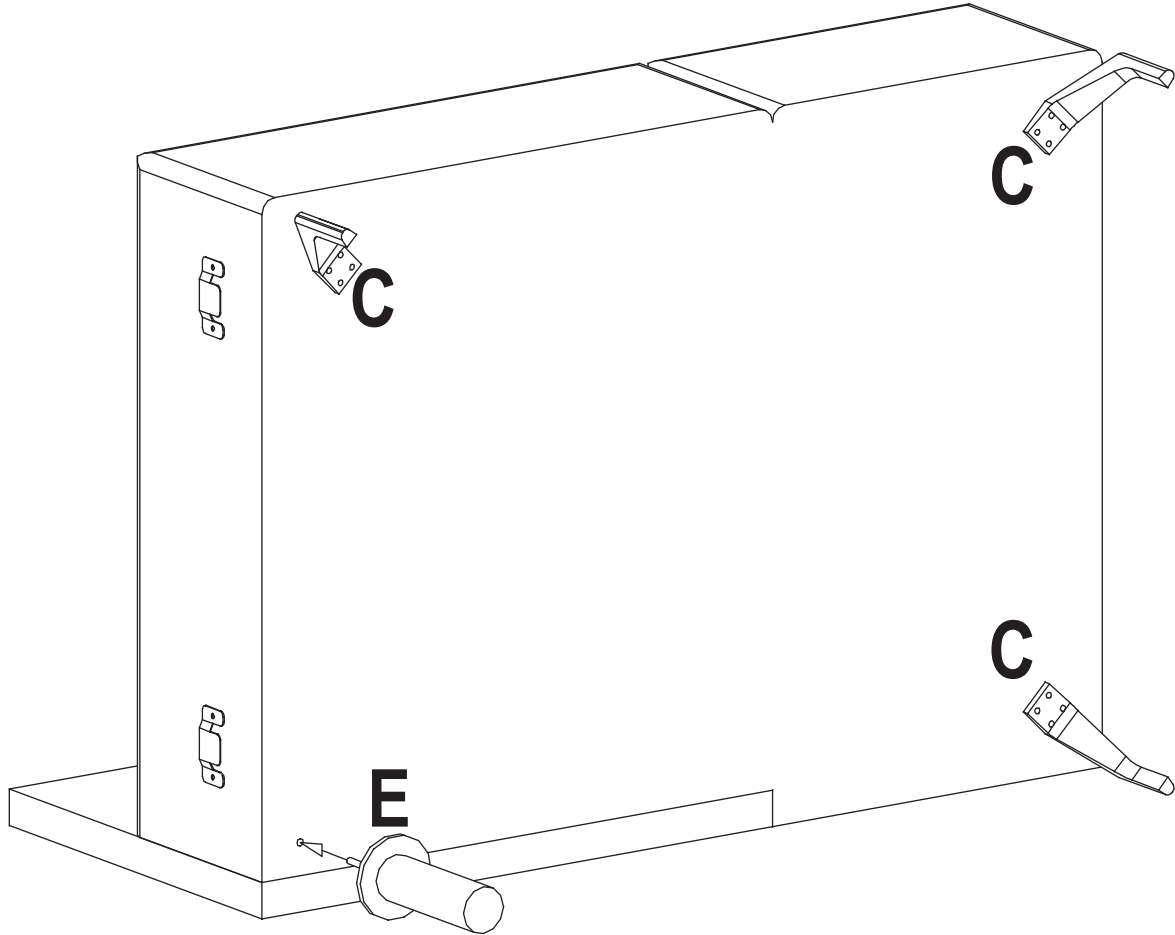
M6x30



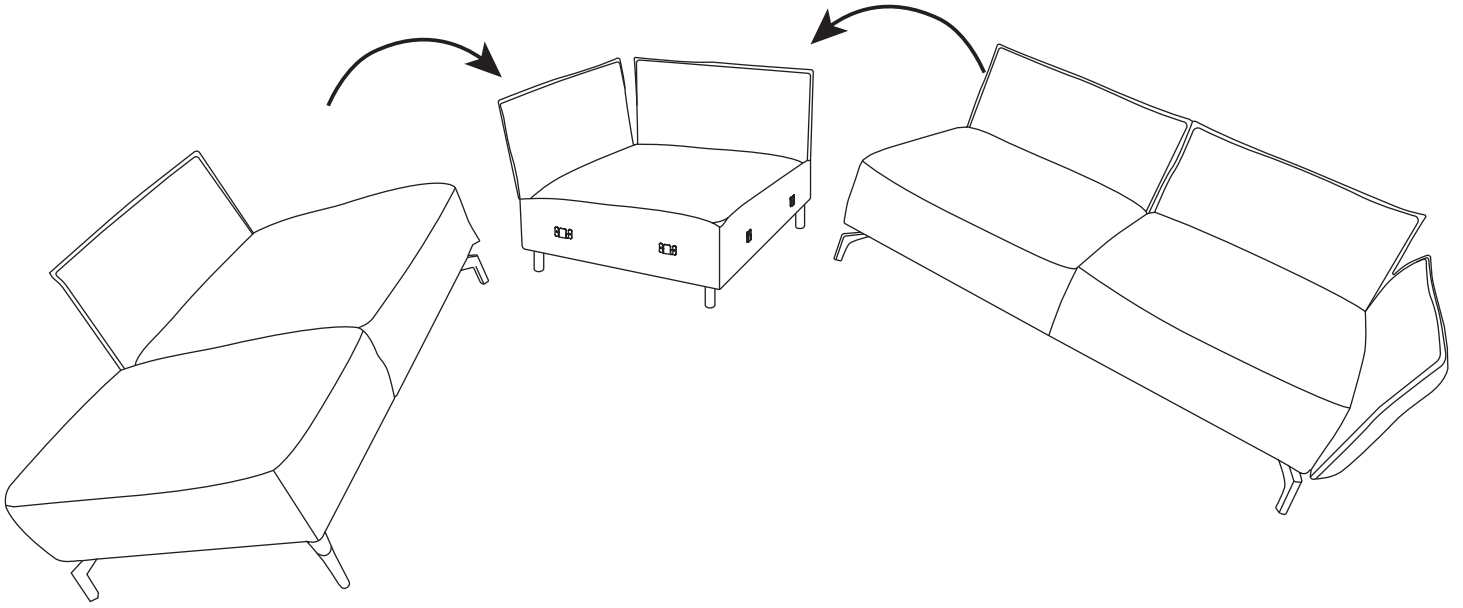
Ex1



H = 150 mm



4



5

