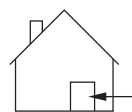
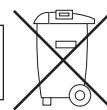


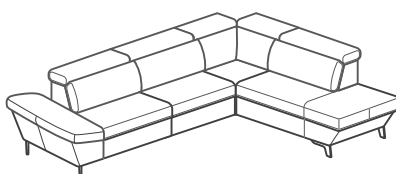
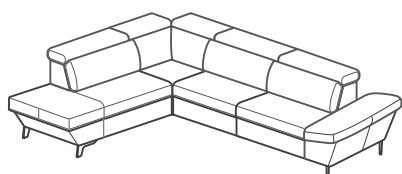
Panama



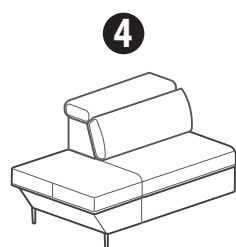
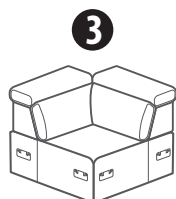
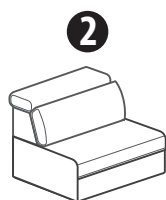
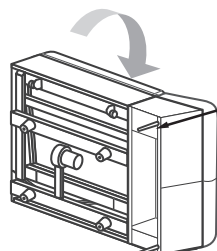
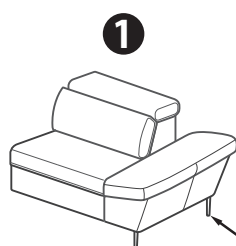
IP 20



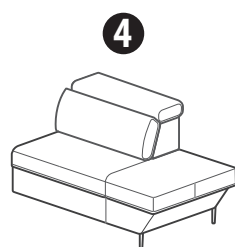
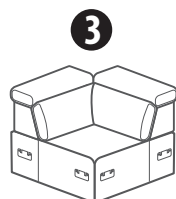
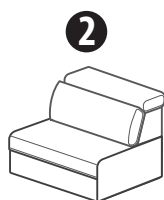
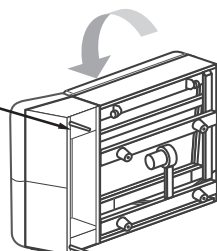
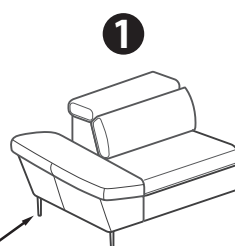
VERSION: 01-01/2017



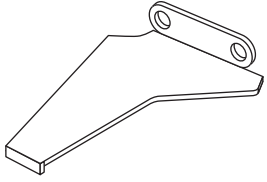
15min



ID

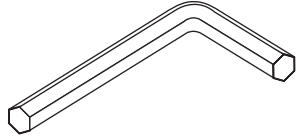


Panama



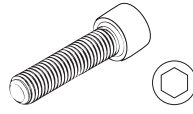
5pcs

A



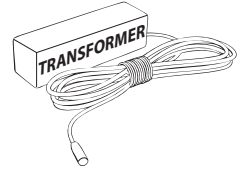
1pcs

B



20pcs

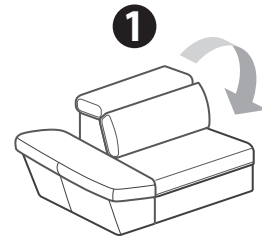
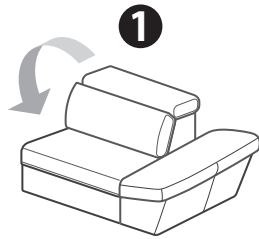
C



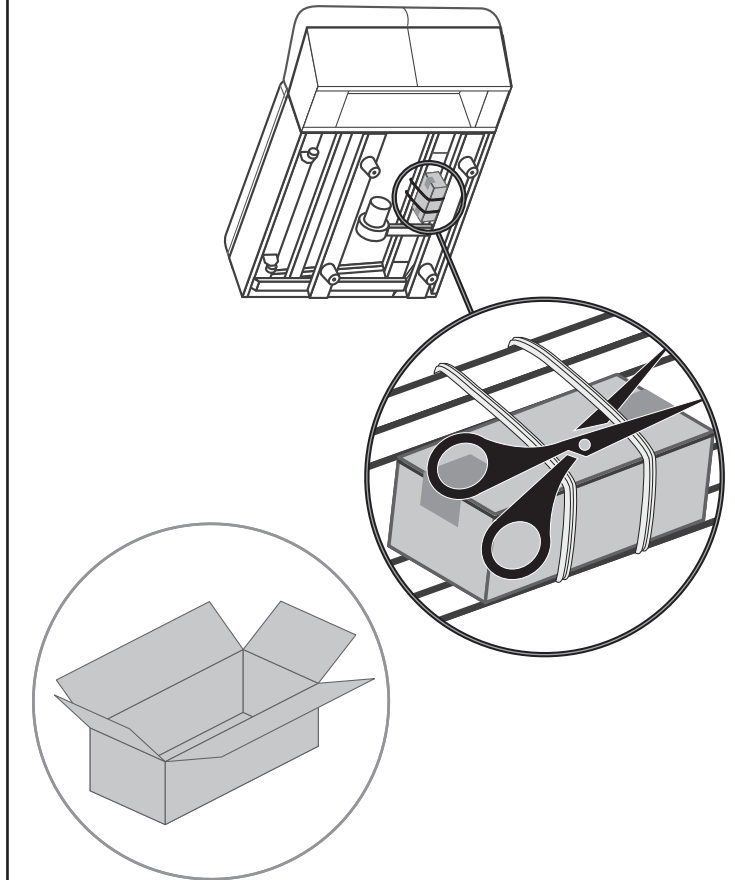
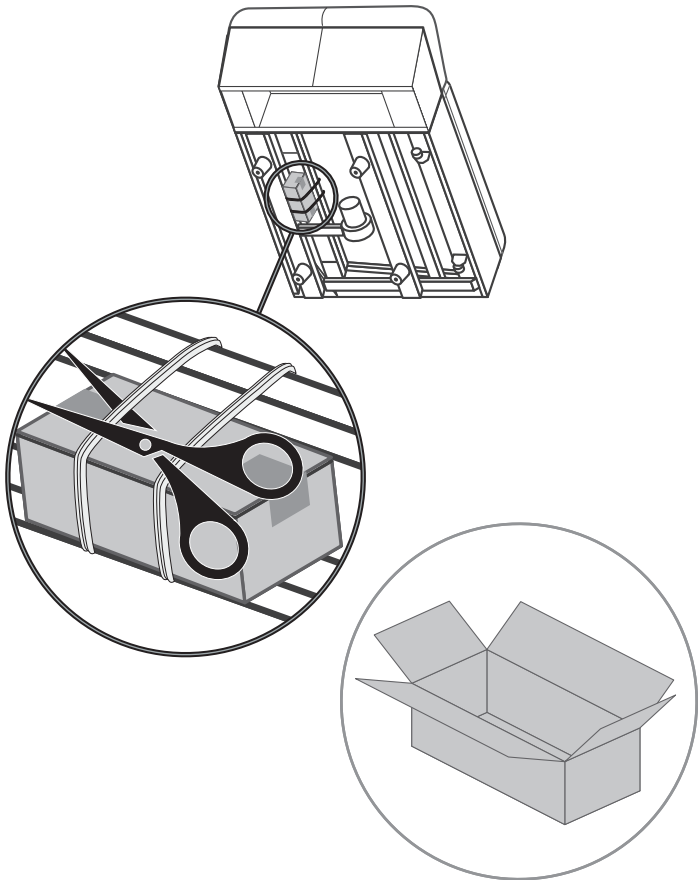
1pcs

D

1



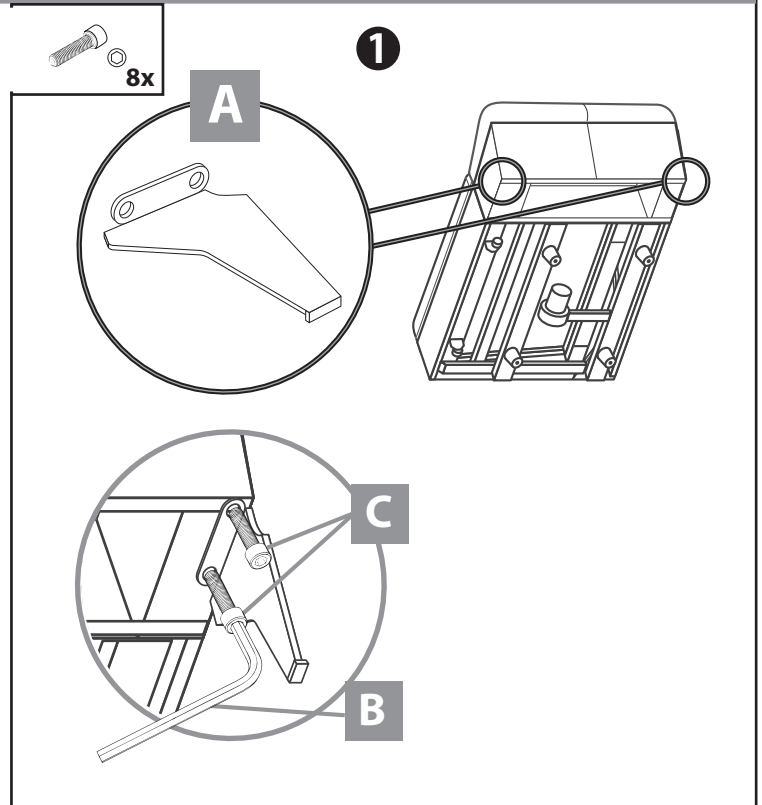
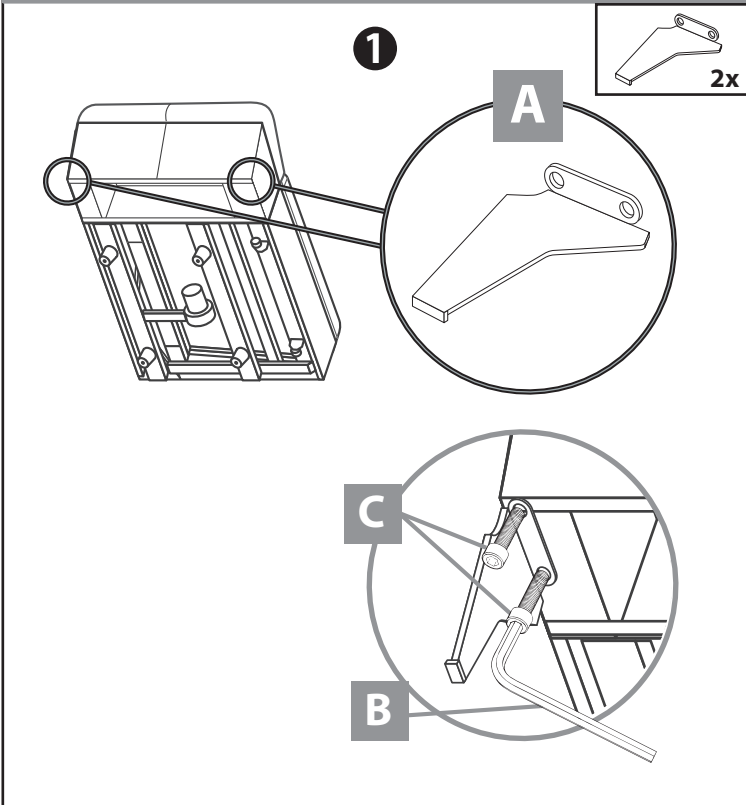
2



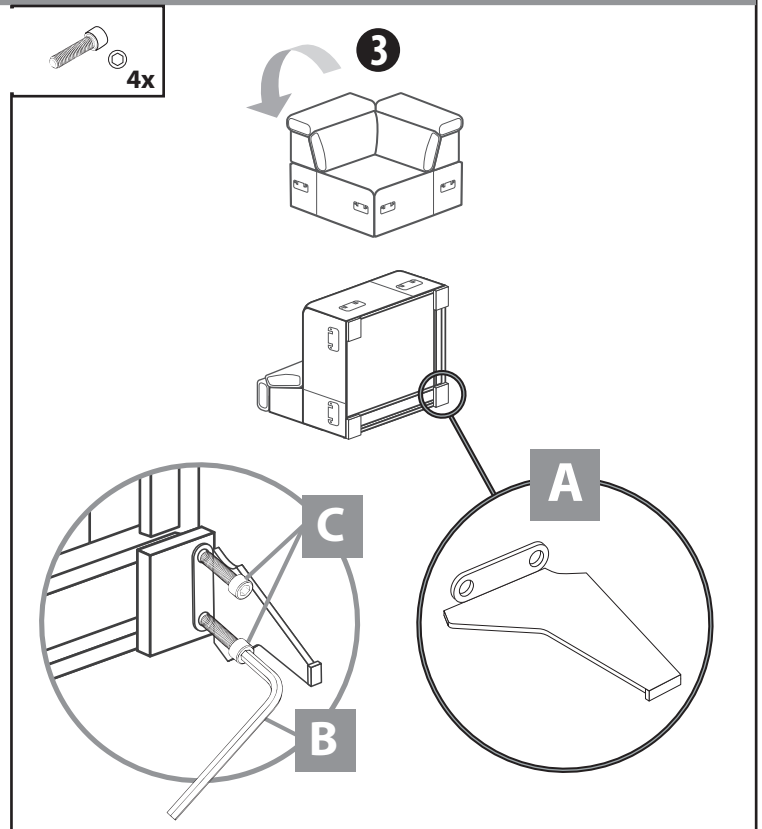
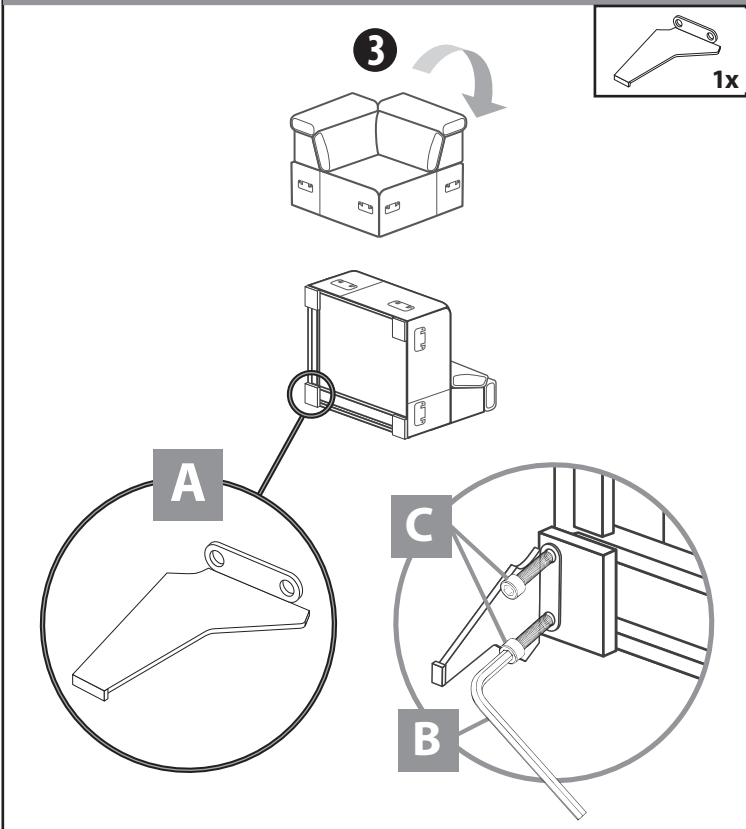
Panama



3



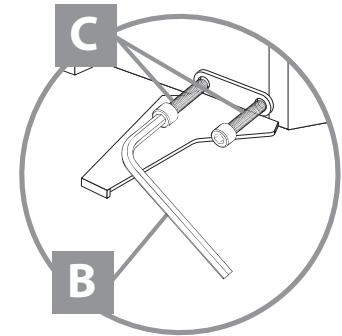
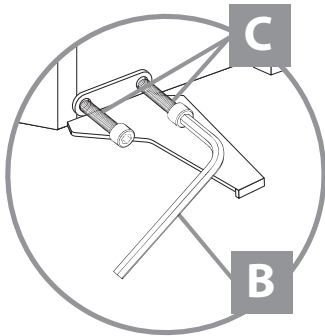
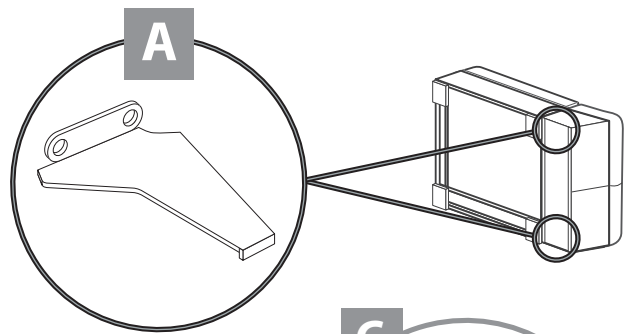
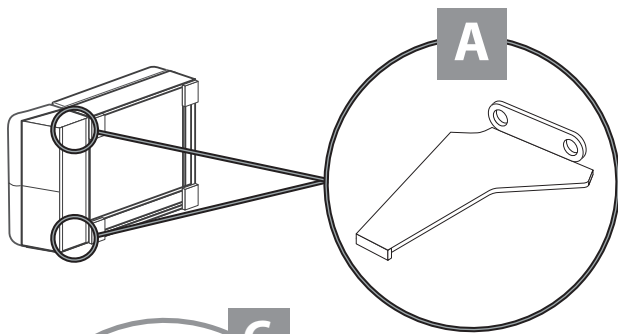
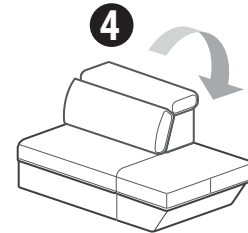
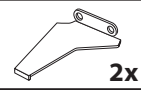
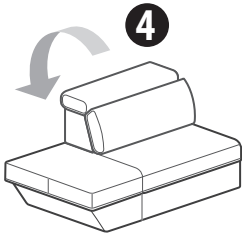
4



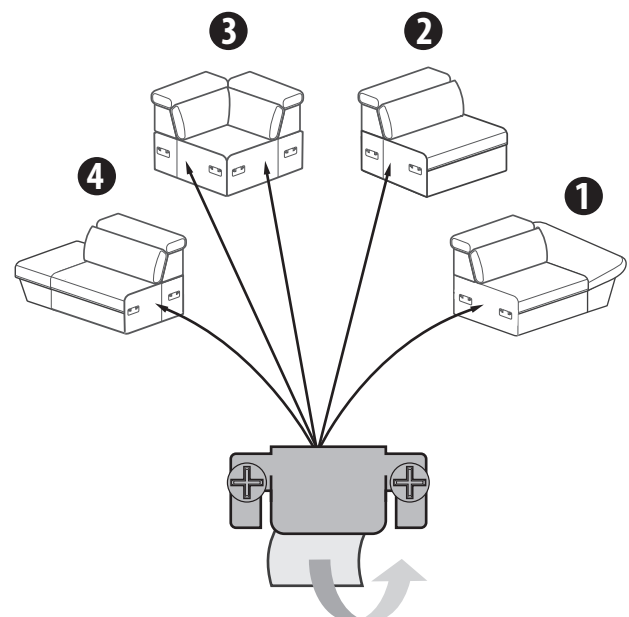
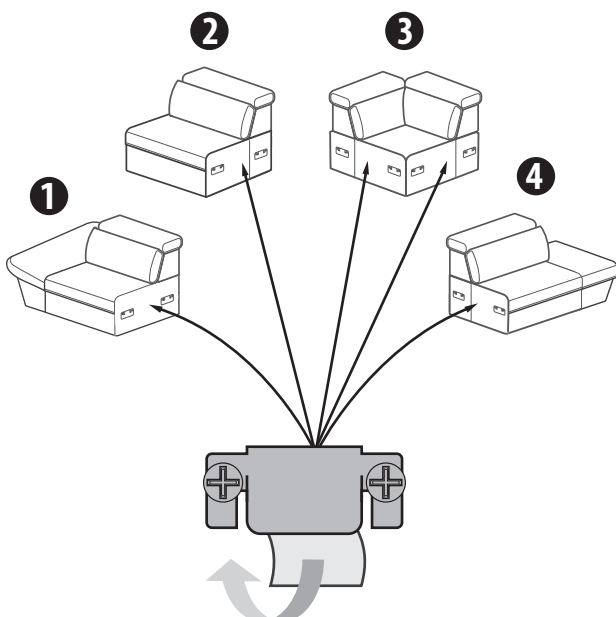
Panama



5



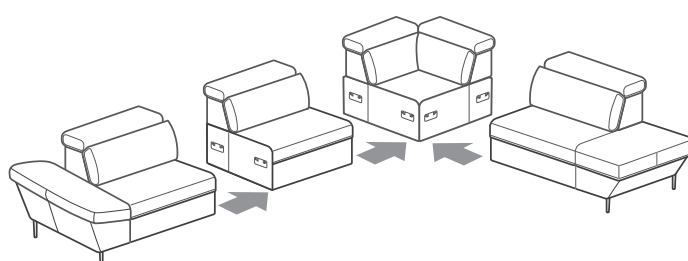
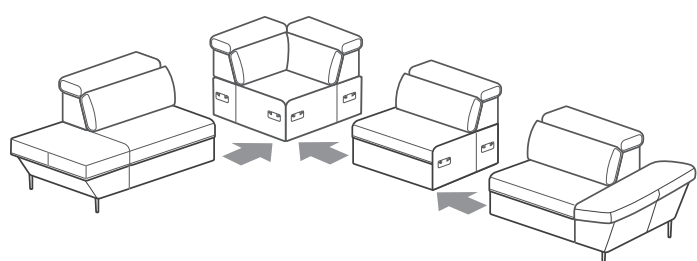
6



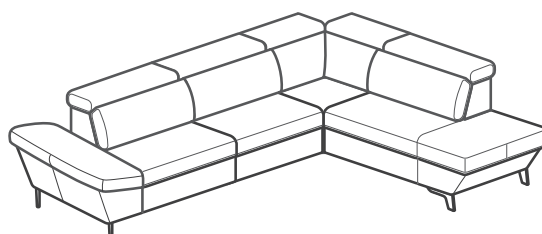
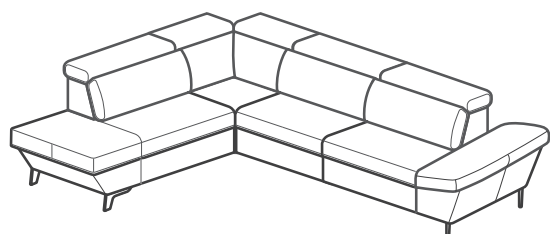
Panama



7



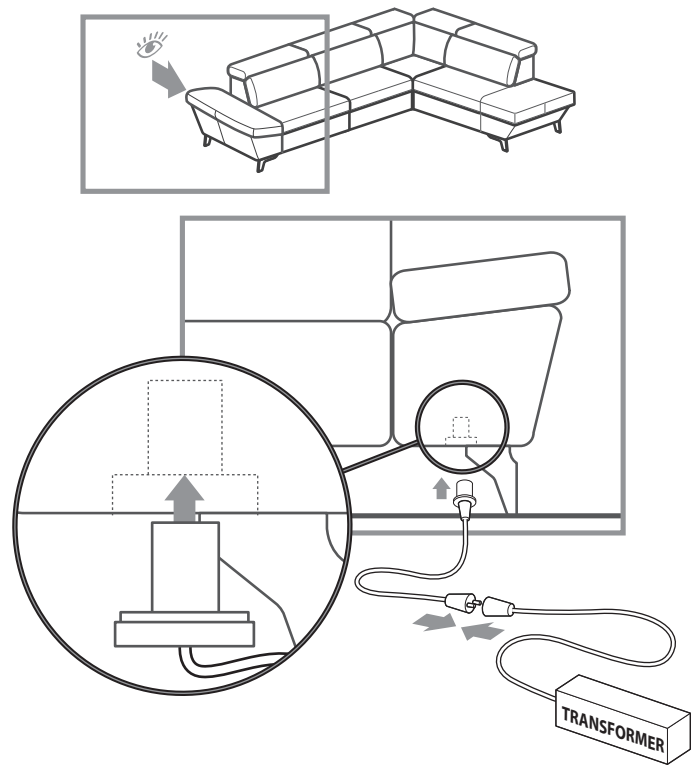
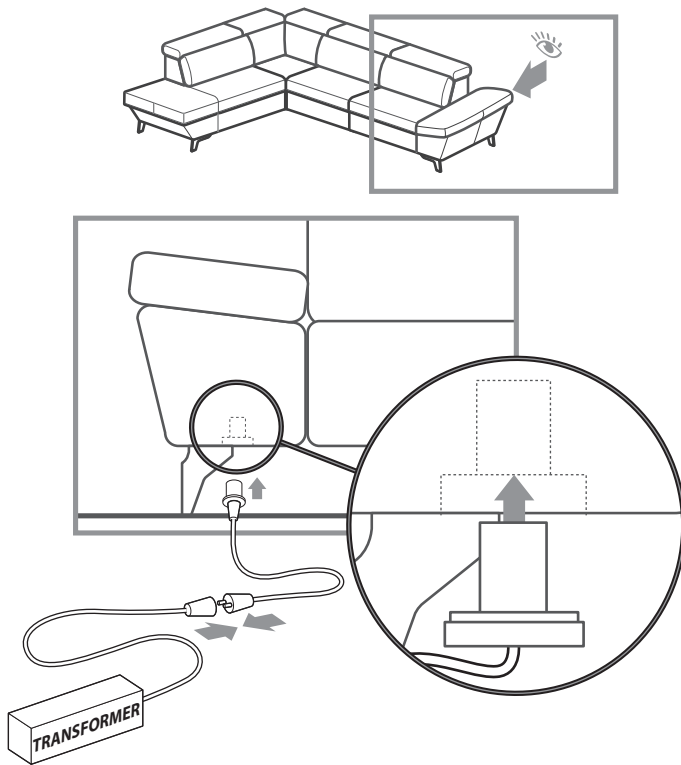
8



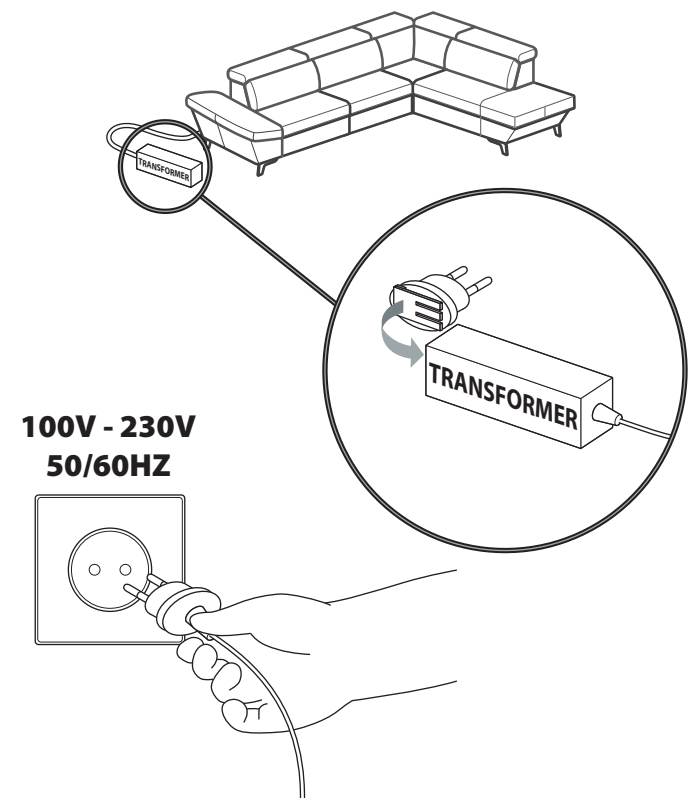
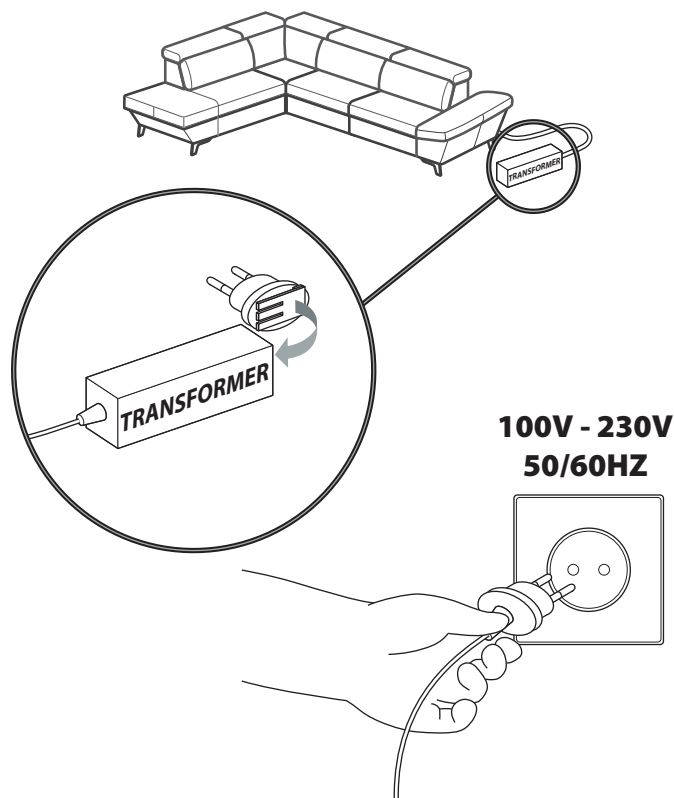
Panama



9



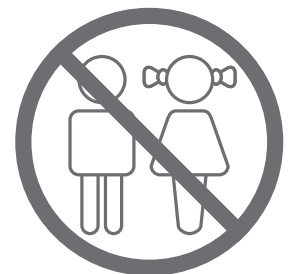
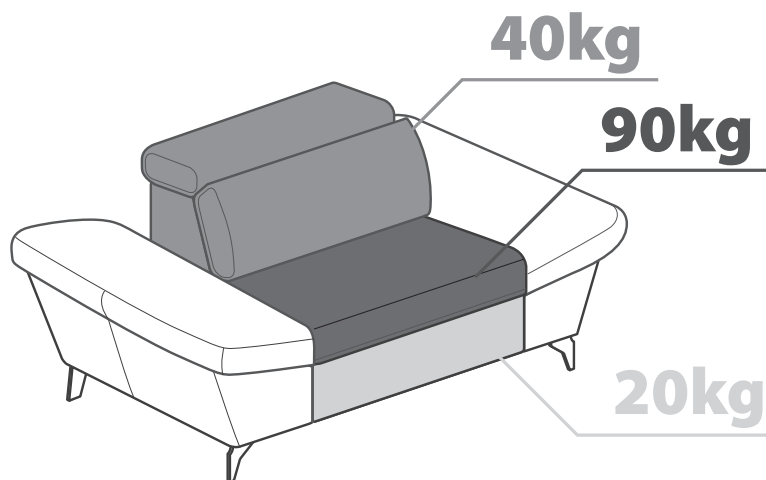
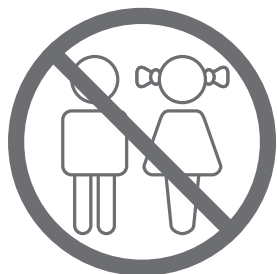
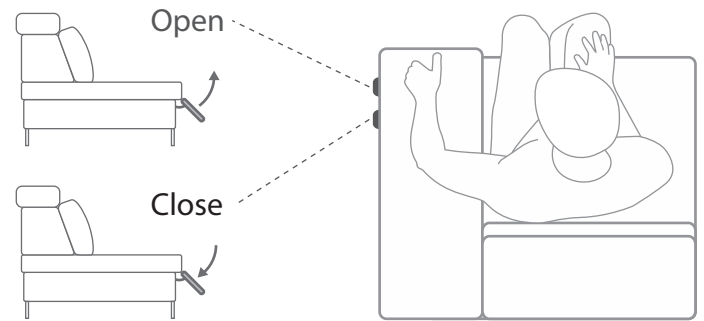
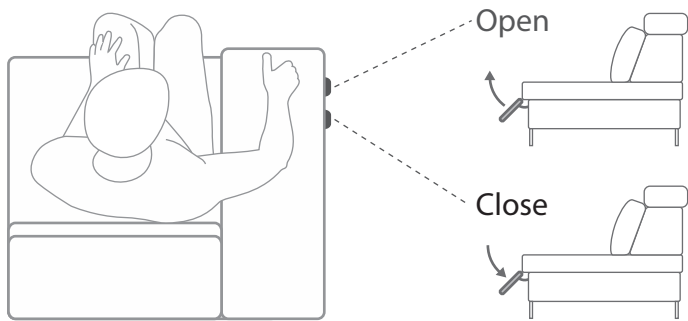
10






Panama

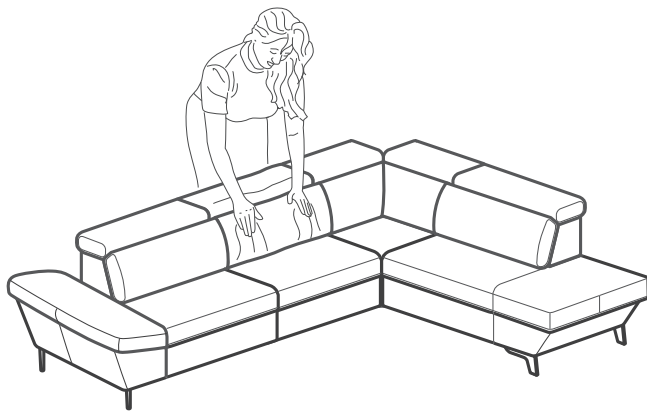
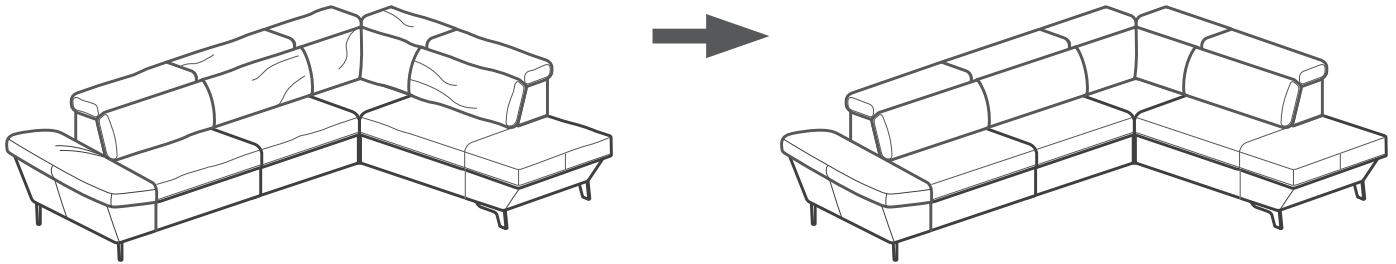


11



AC/DC Adapter
Model No.: KE 1110030/MO-PS-1589
Input: 100-240V~, 50/60 Hz, 1.5A
Output: DC29V --- 1A
Ta=40°C 70.2016 \ominus \oplus
Duty Cycle: 2min on/18min off
Current Fuse: T2AL250VAC
For indoor use only IP20   
Class 2 Power Unit
Efficiency level $\text{\textcircled{V}}$
GEMS \checkmark CEC \checkmark ERP \checkmark
SELV \checkmark RoHS \checkmark REACH \checkmark

WARNING



WARNING

