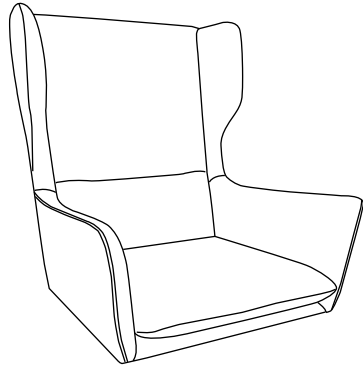
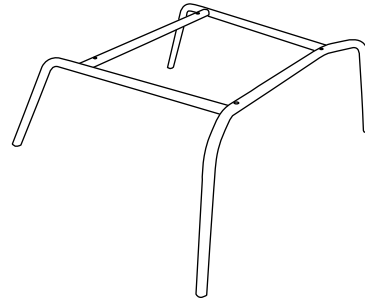


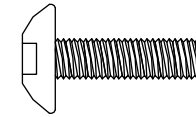
A x1



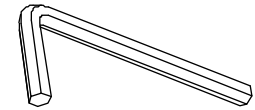
B x1



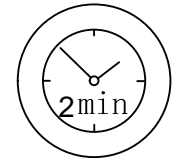
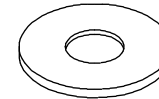
C x4 M6\*35



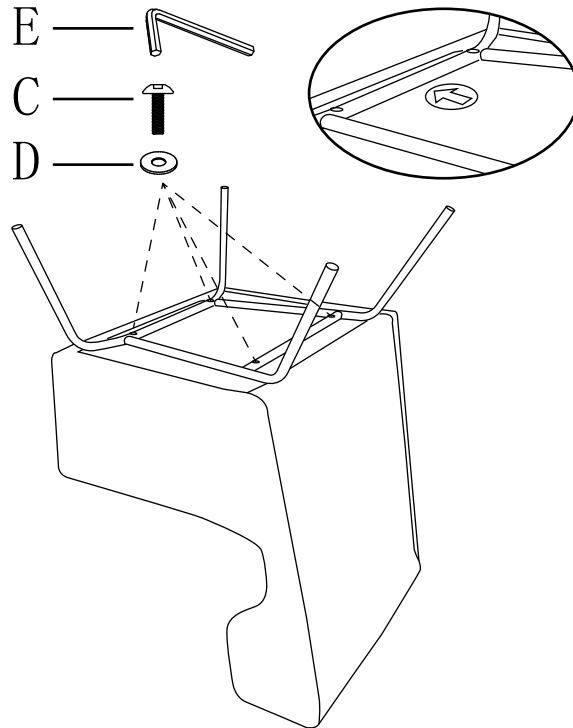
E x1



D x4



1



2

