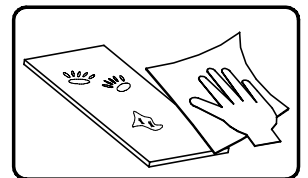
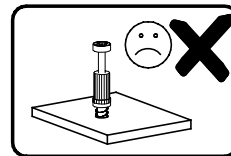
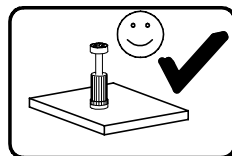
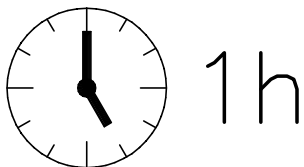
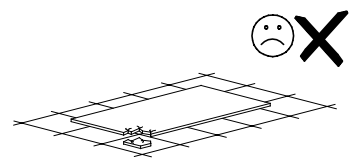
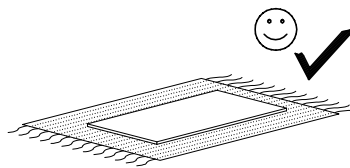
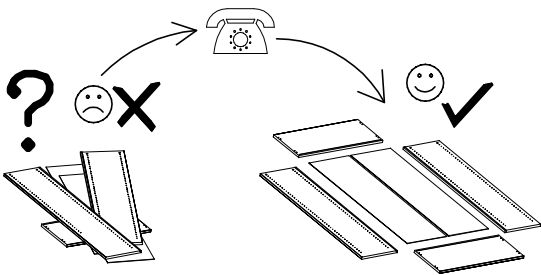
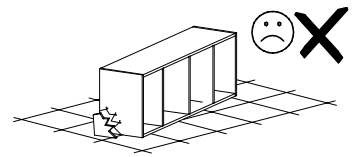
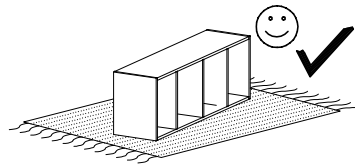
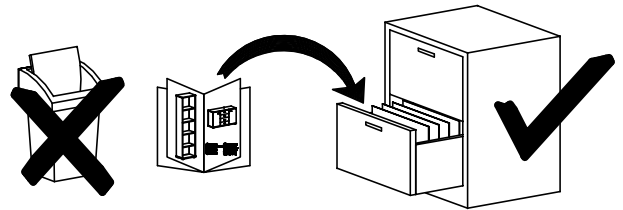
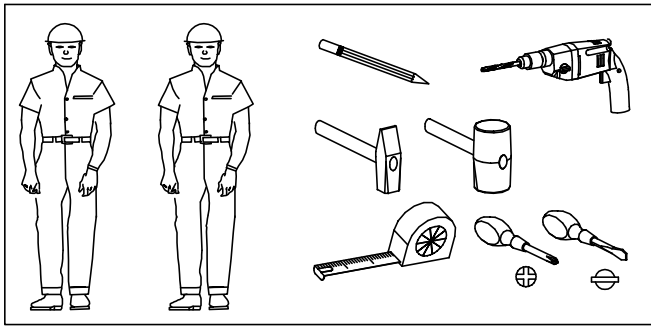
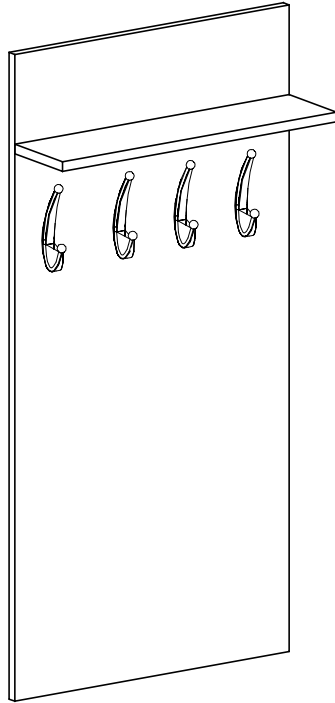
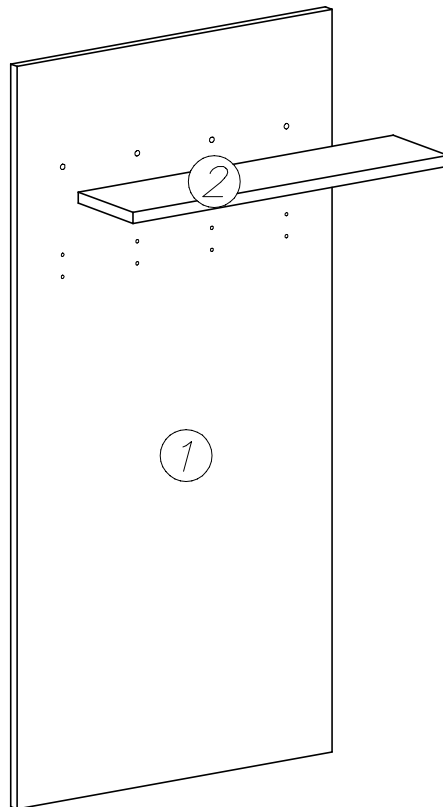
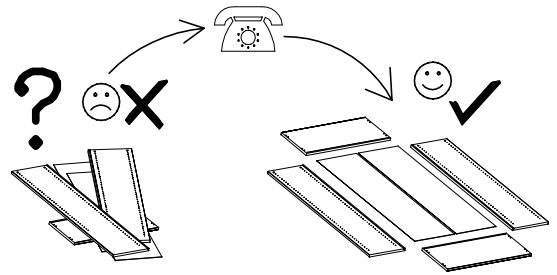
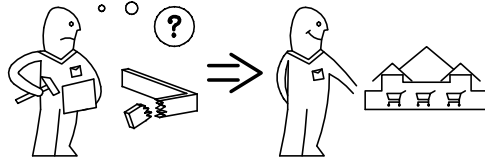
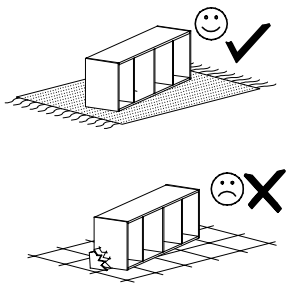
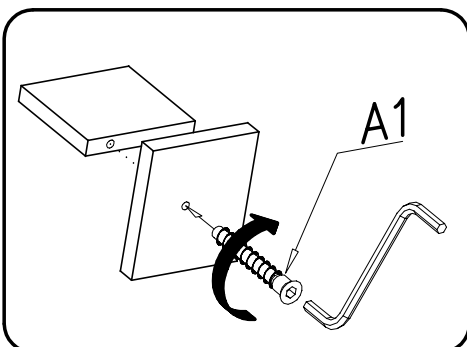
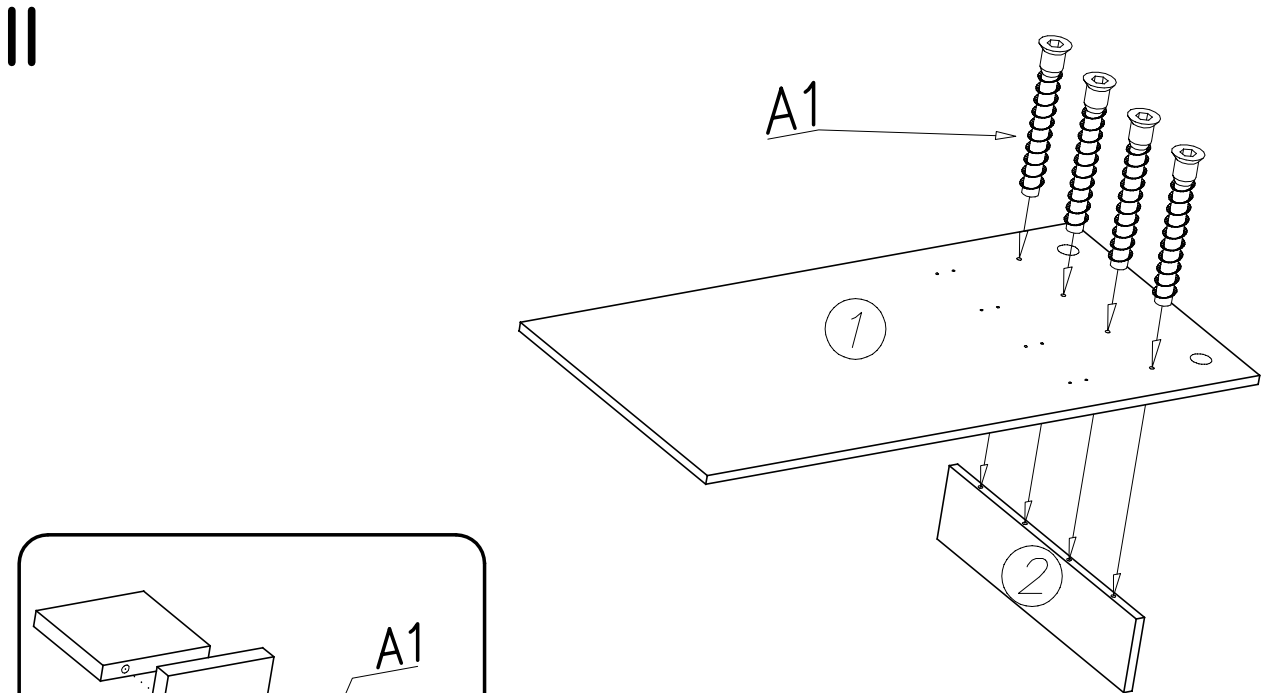
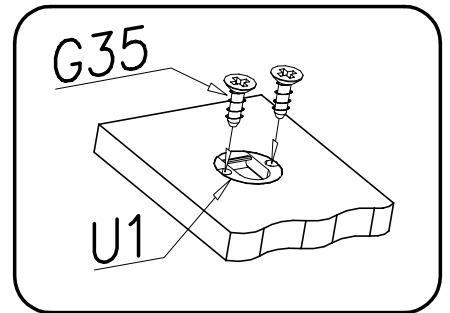
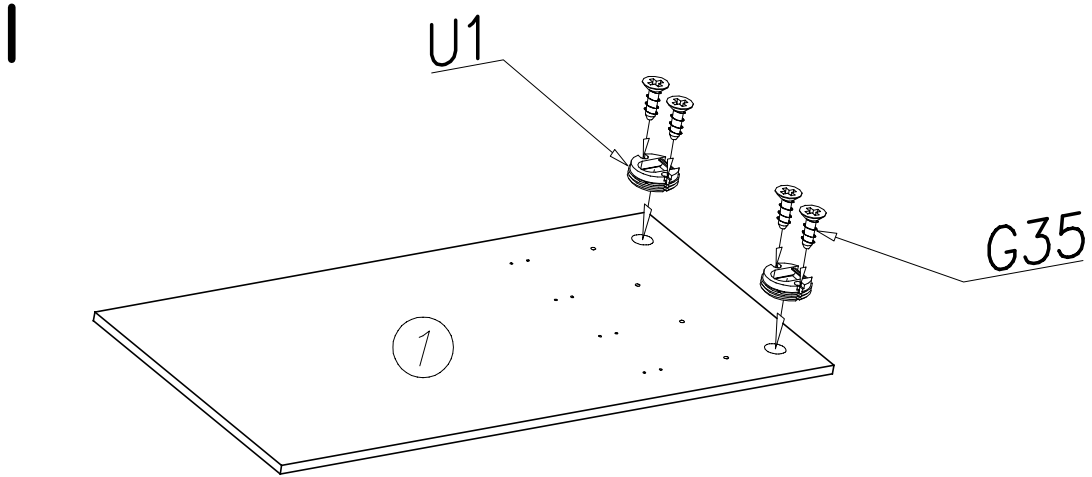
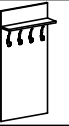


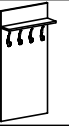
STARTER PANEL



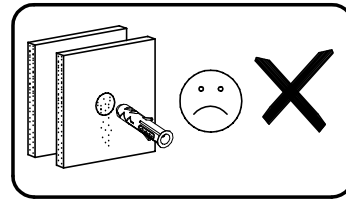
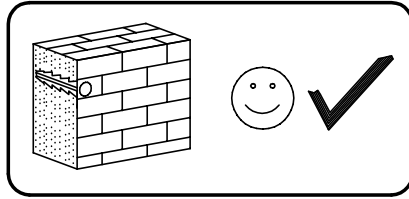
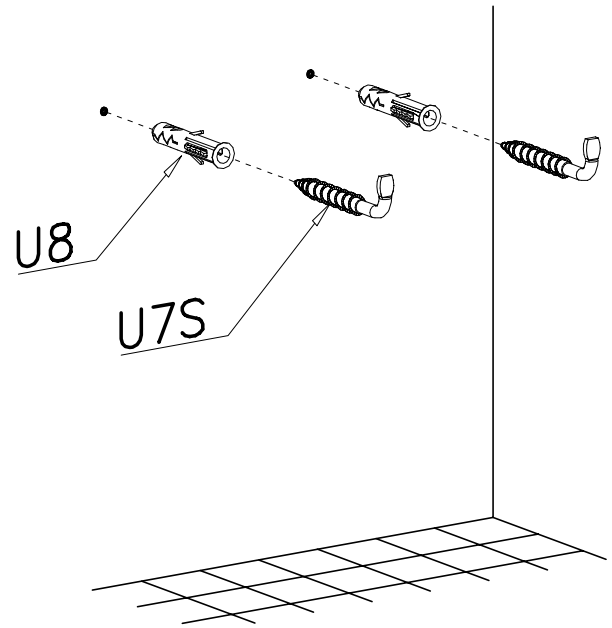
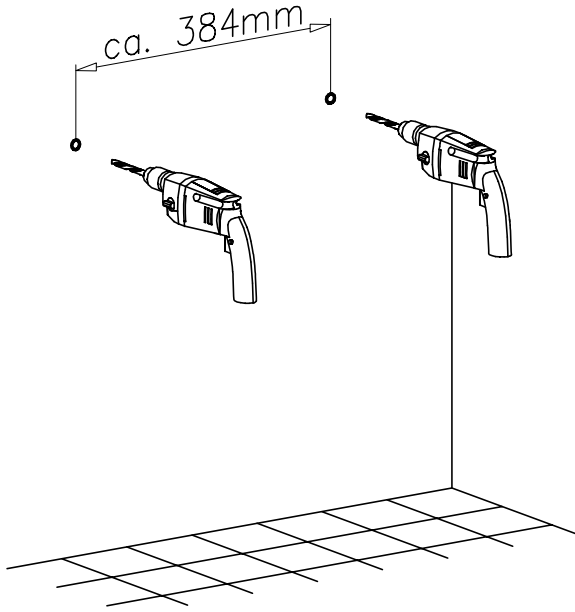


<p>U1</p> <p>x...(2)</p>	<p>Q2</p> <p>x...(4)</p>	<p>A1</p> <p>ø7x50 x...(4)</p>	<p>U7S</p> <p>x...(2)</p> <p>U8</p> <p>ø10x60 x...(2)</p>	<p>G13</p> <p>4x25 x...(8)</p> <p>G35</p> <p>6x9 x...(4)</p>
--------------------------	--------------------------	--------------------------------	---	--





III



IV

