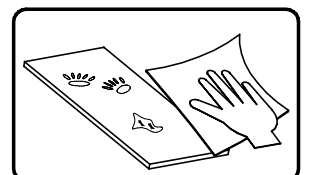
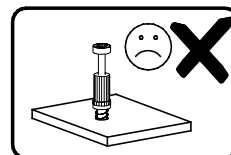
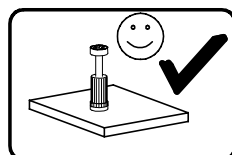
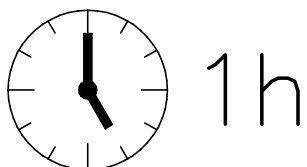
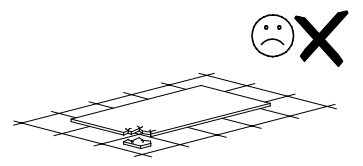
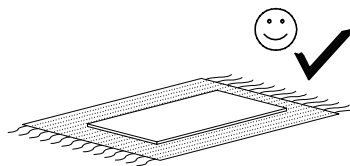
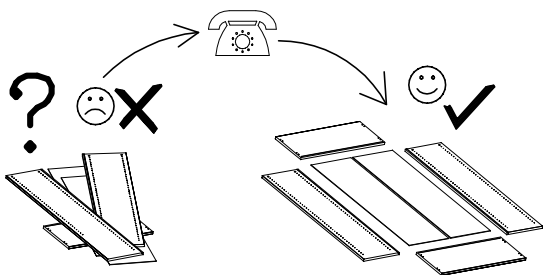
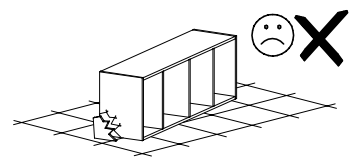
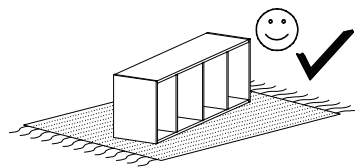
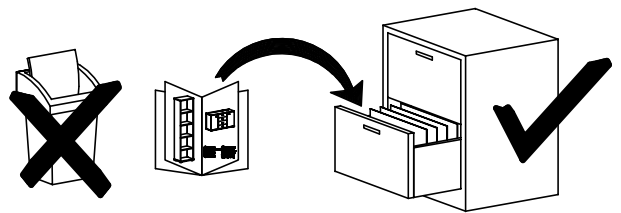
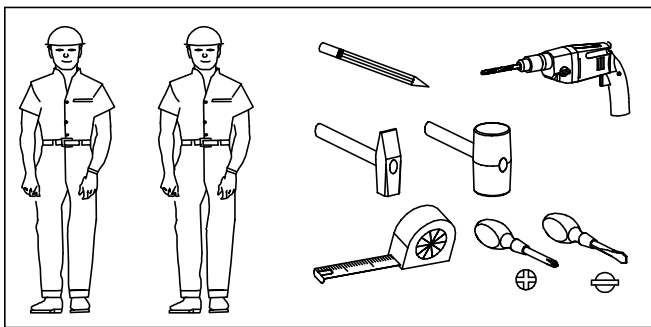
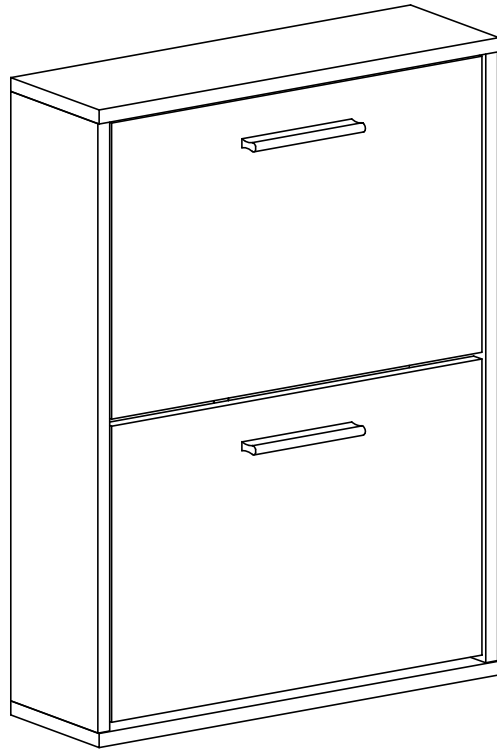
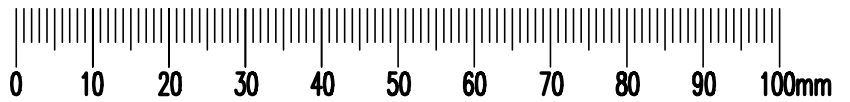
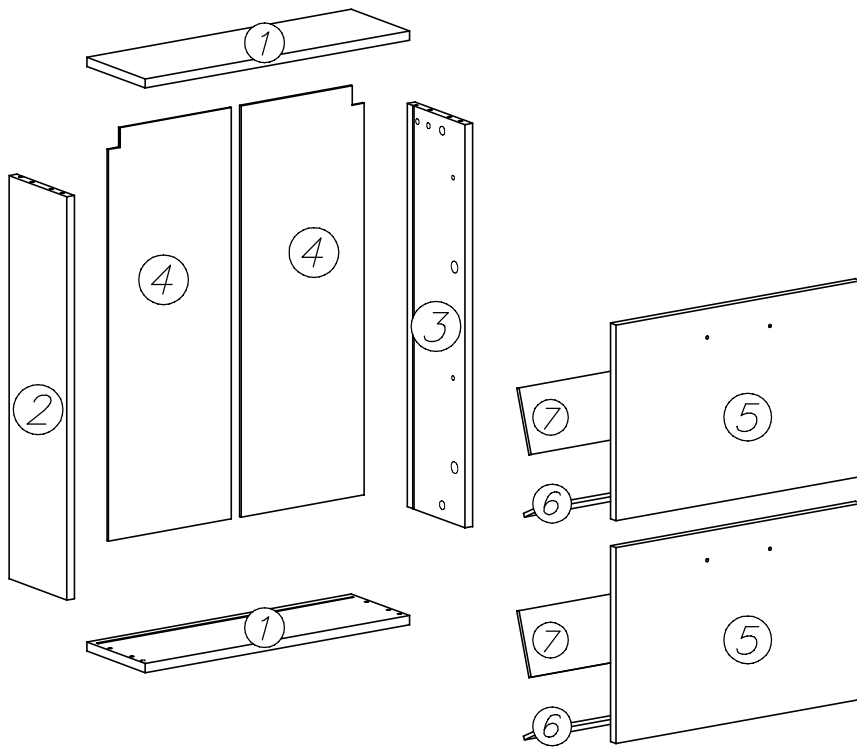
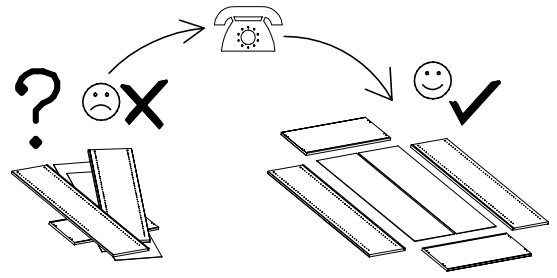
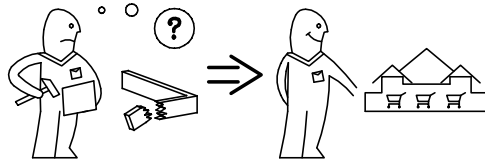
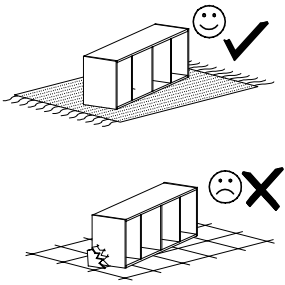
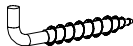
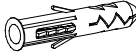
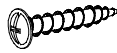

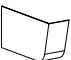

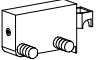
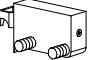
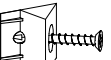
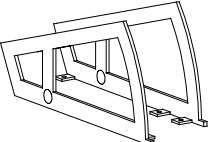













STARTER shoe cabinet



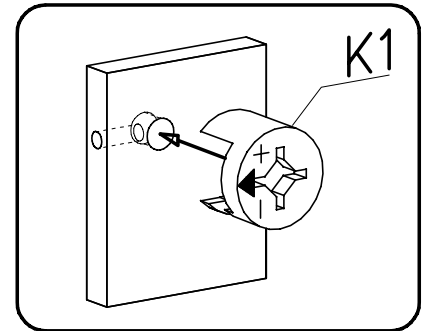
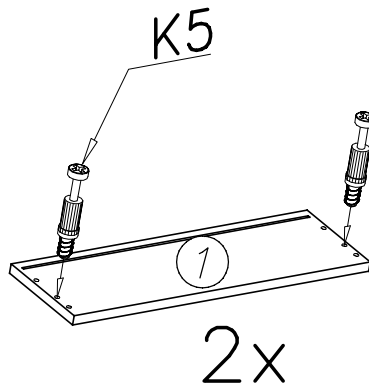
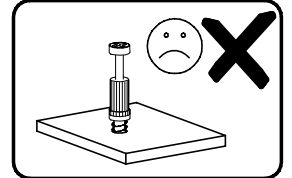
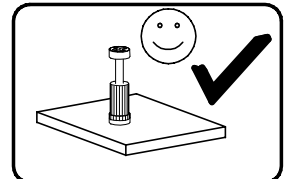
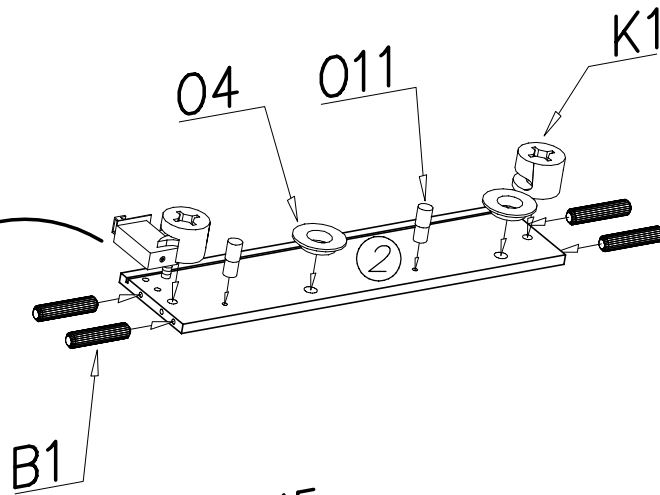
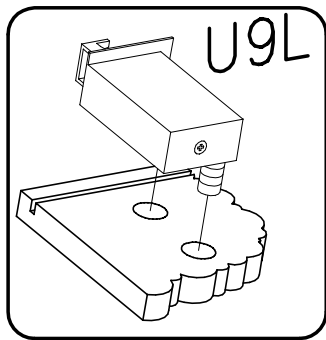
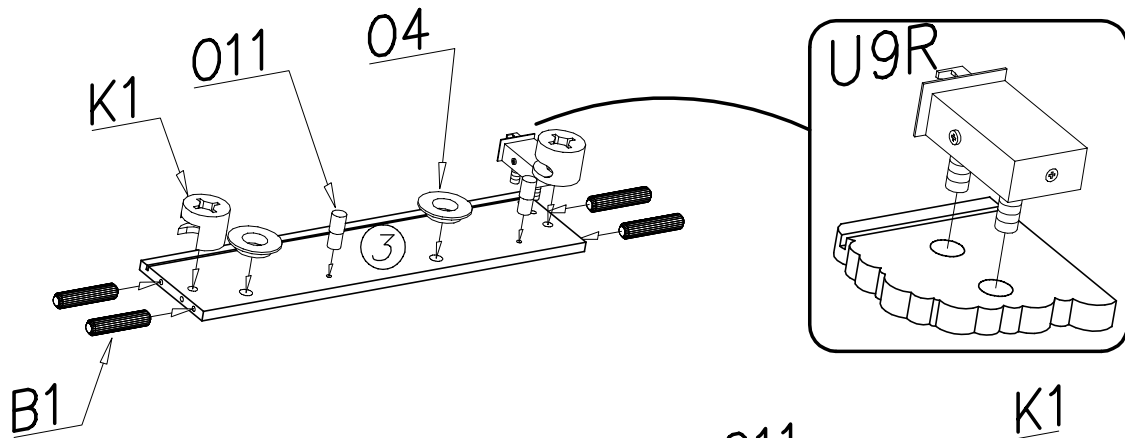
STARTER shoe cabinet



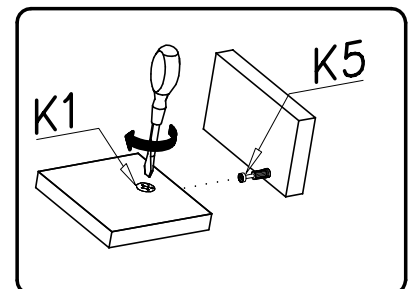
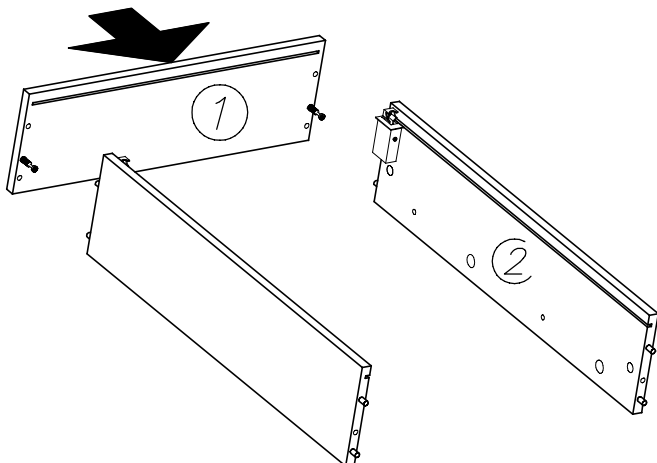
		U7  x...(2)	U8  ø10x60 x...(2)	G8  4x30 x...(4)	E1  128mm x...(2)
U10R  x...(1)	U10L  x...(1)	U9R  x...(1)	U9L  x...(1)	I1  x...(10)	O10  x...(2)
S1  697mm x...(1)	G10  6x13 x...(4)	O3  x...(4)	O4  x...(4)	O11  x...(4)	
G6  3x13 x...(16)	G4  4x16 x...(12)	K1  ø15x12 x...(4)	I7  x...(4)	K5  x...(4)	B1  ø8x35 x...(8)



I

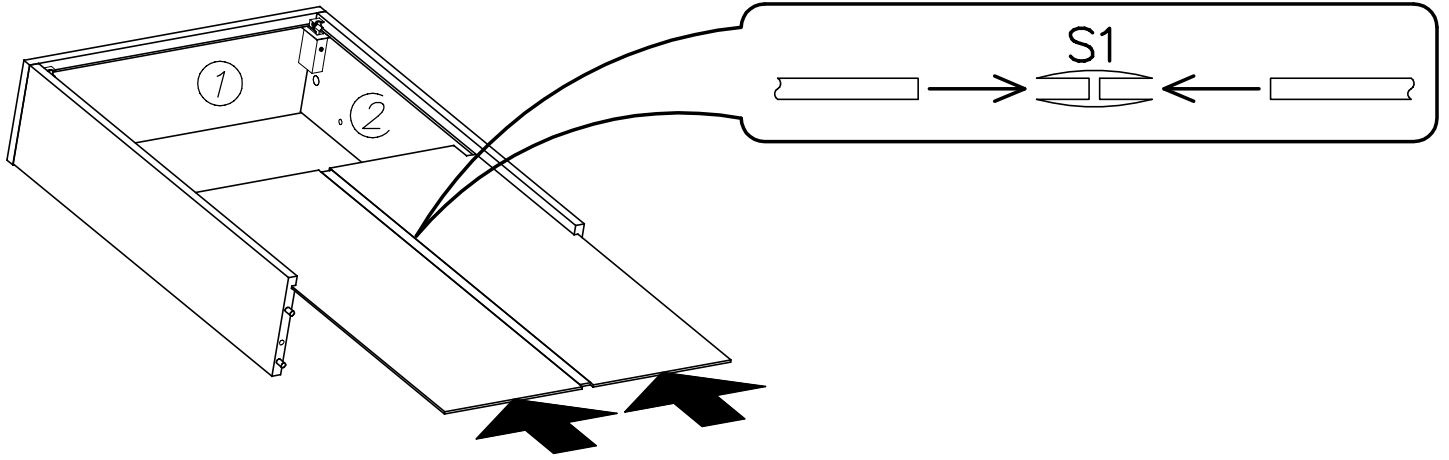


II

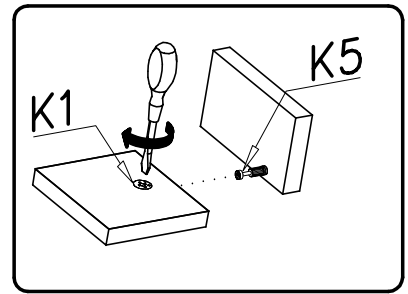
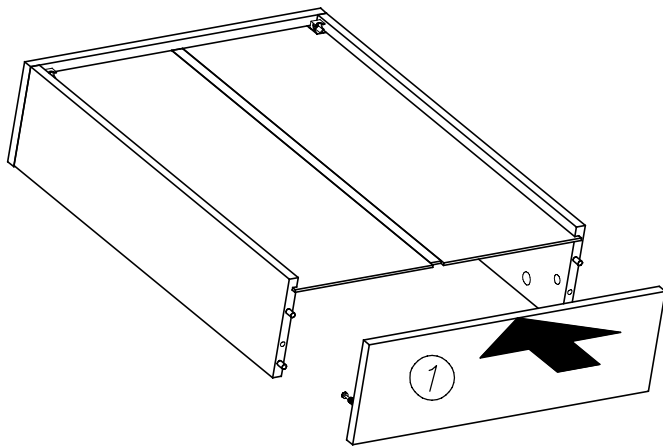




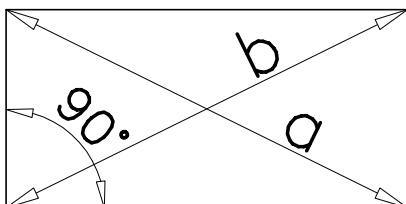
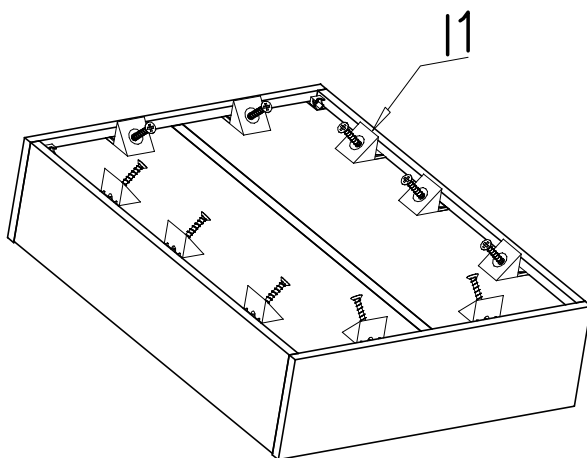
III



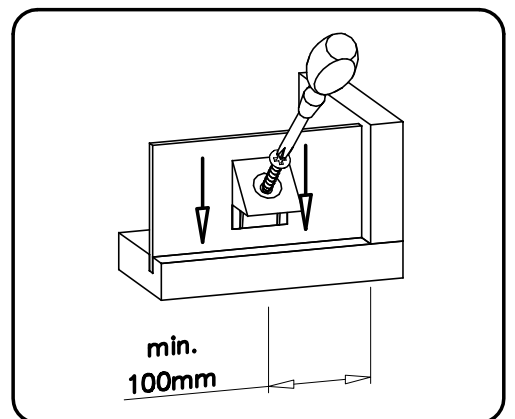
IV



V

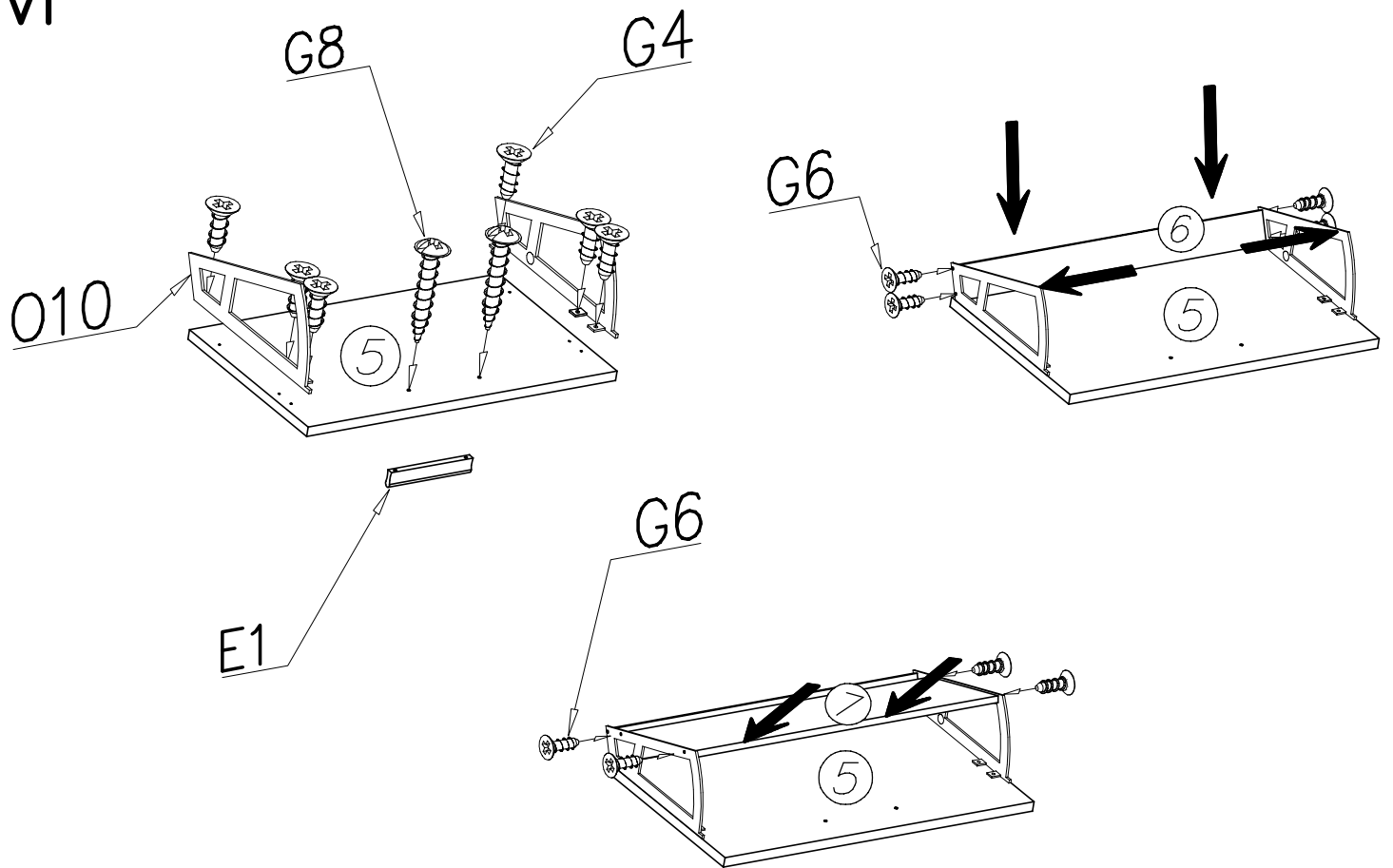


a=b

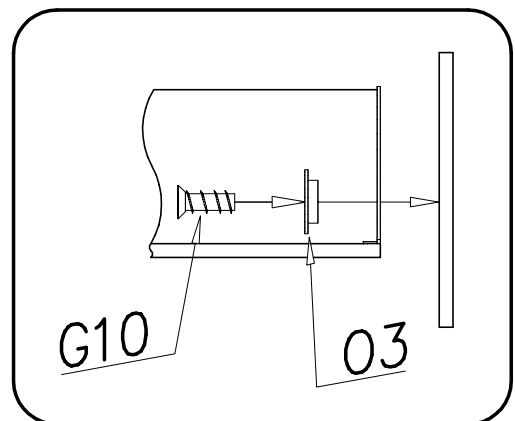
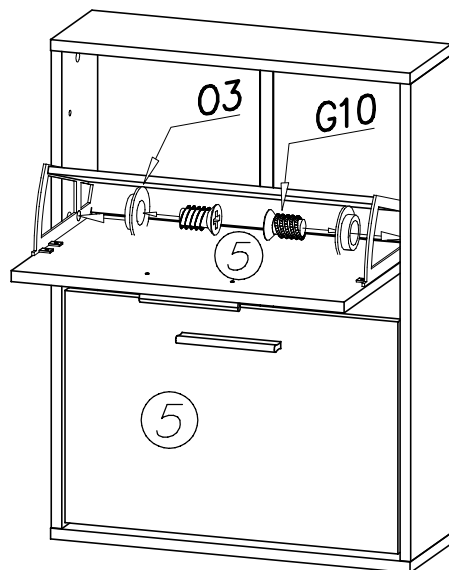


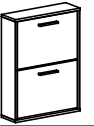


VI

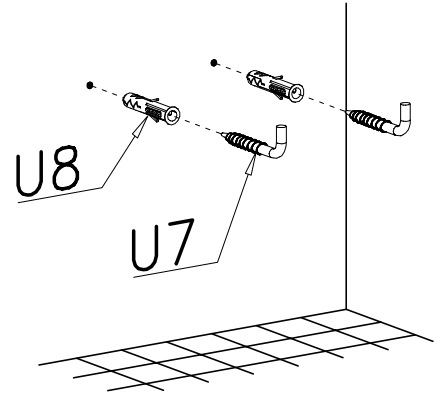
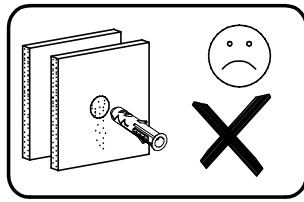
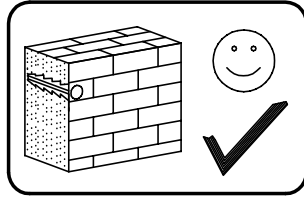
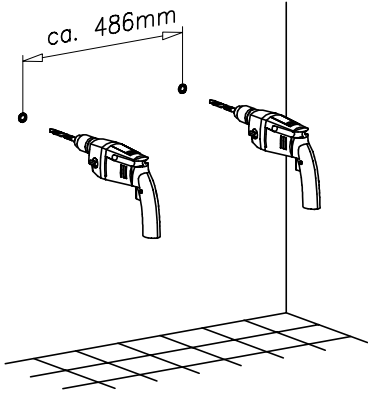


VII





VIII



IX

