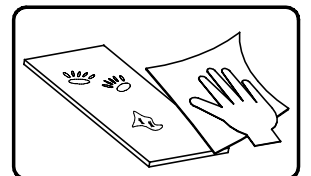
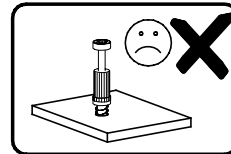
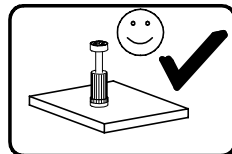
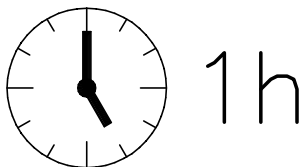
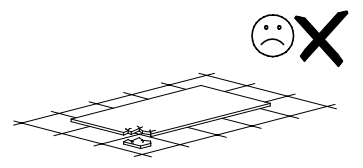
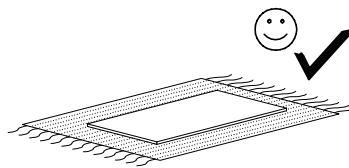
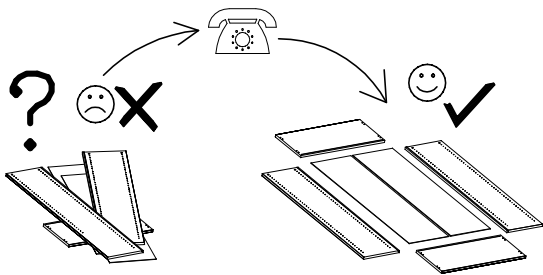
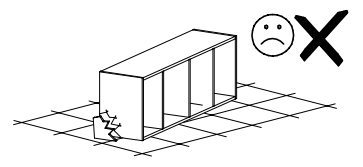
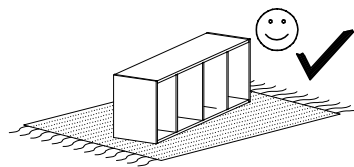
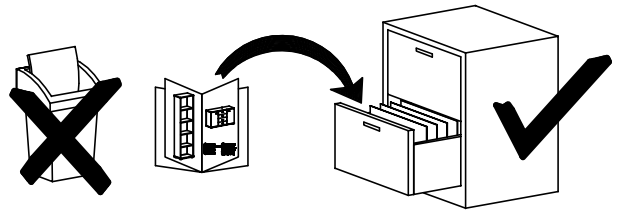
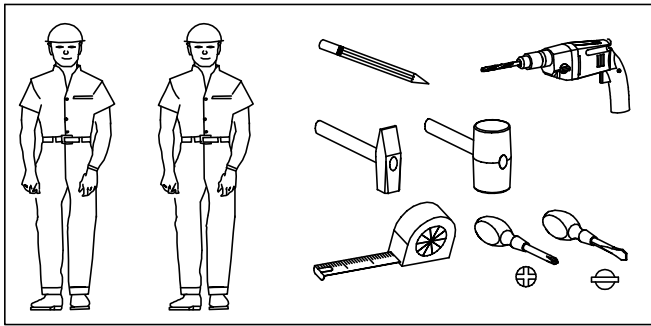
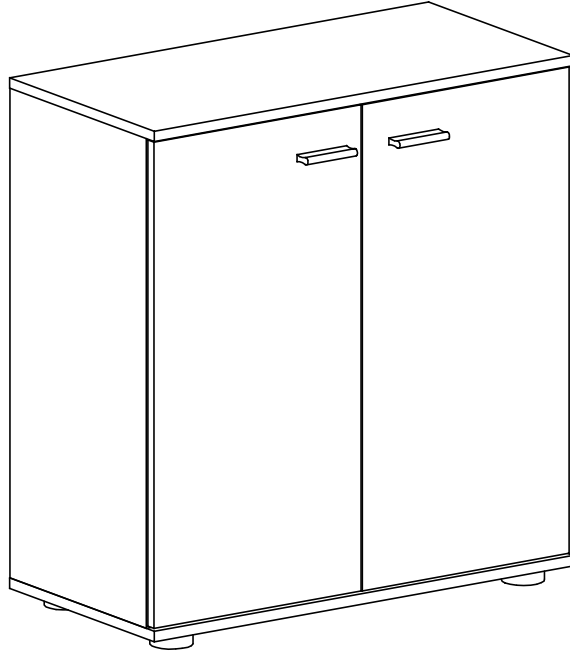
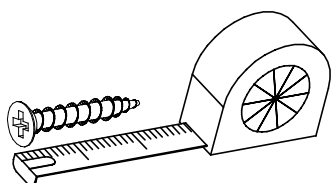
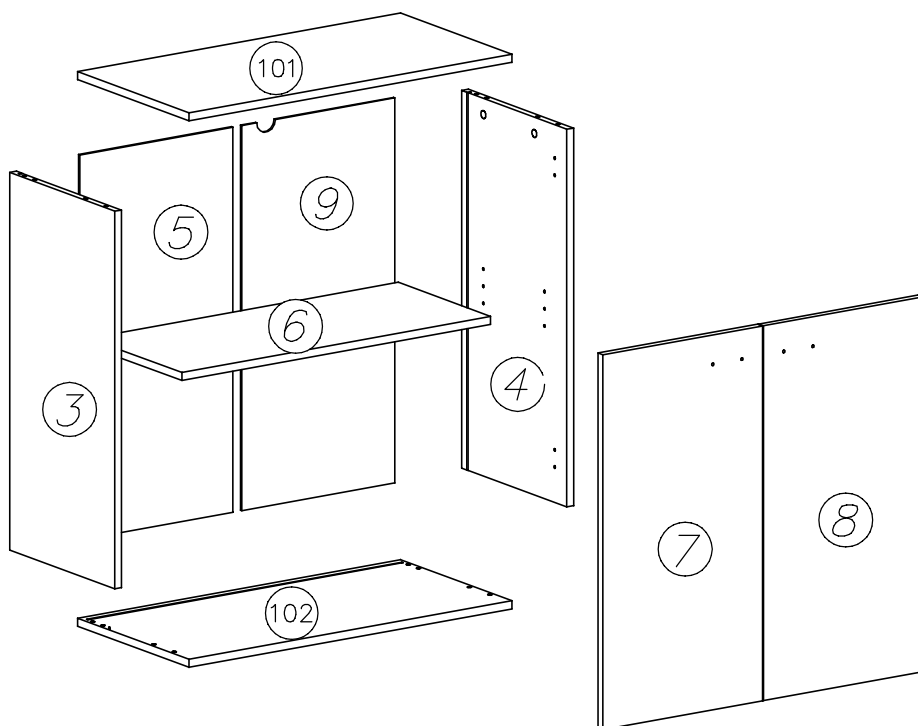
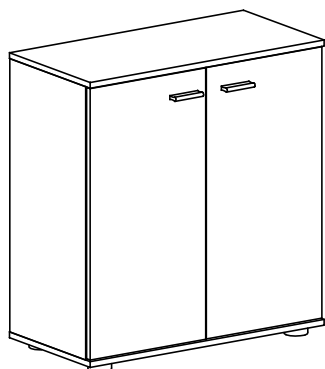
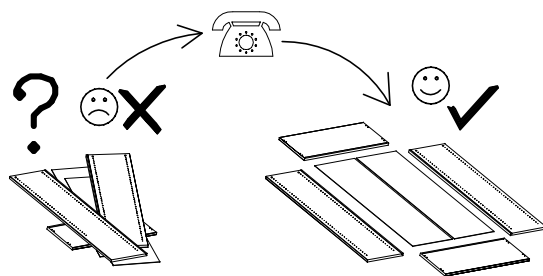
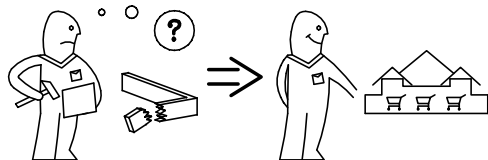
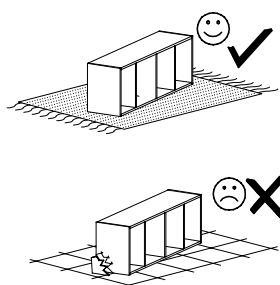
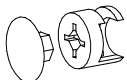



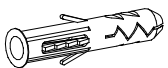
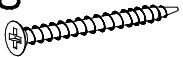
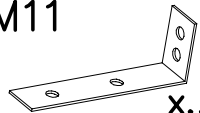

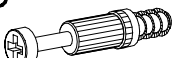
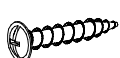
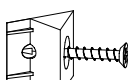
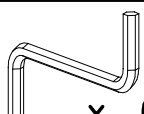


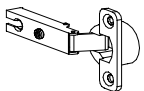
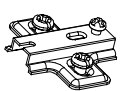




OSLO 01

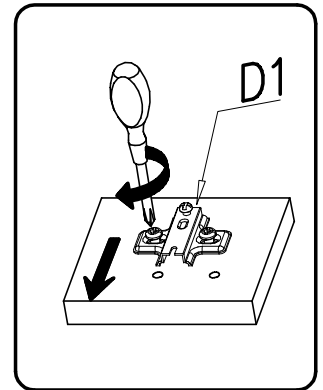
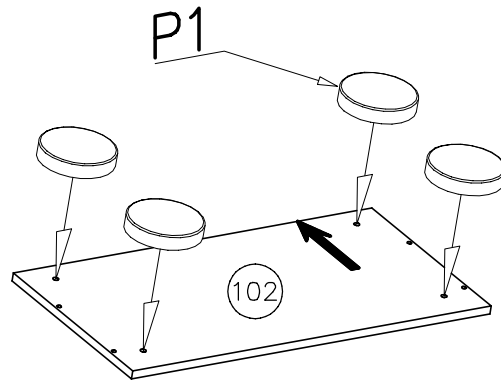
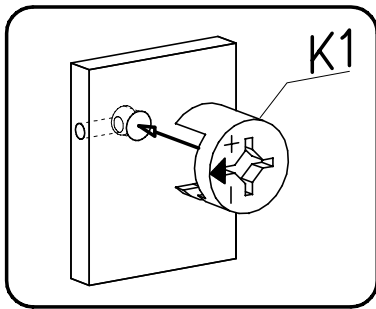
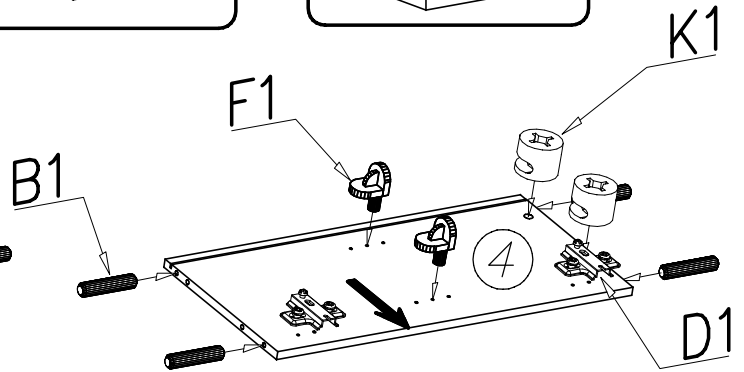
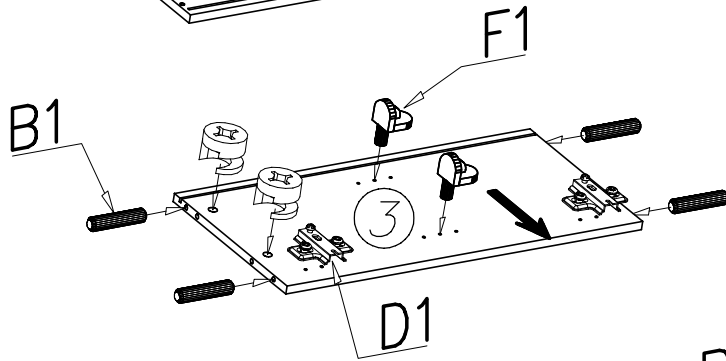
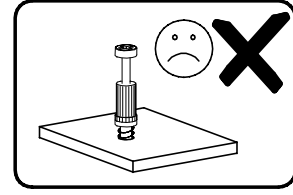
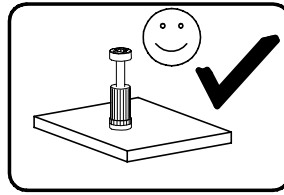
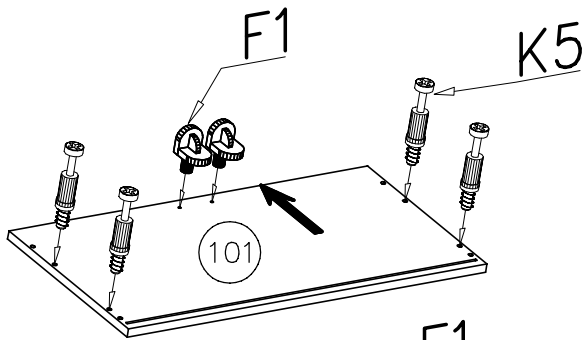




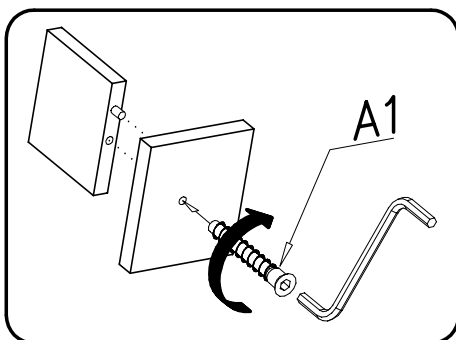
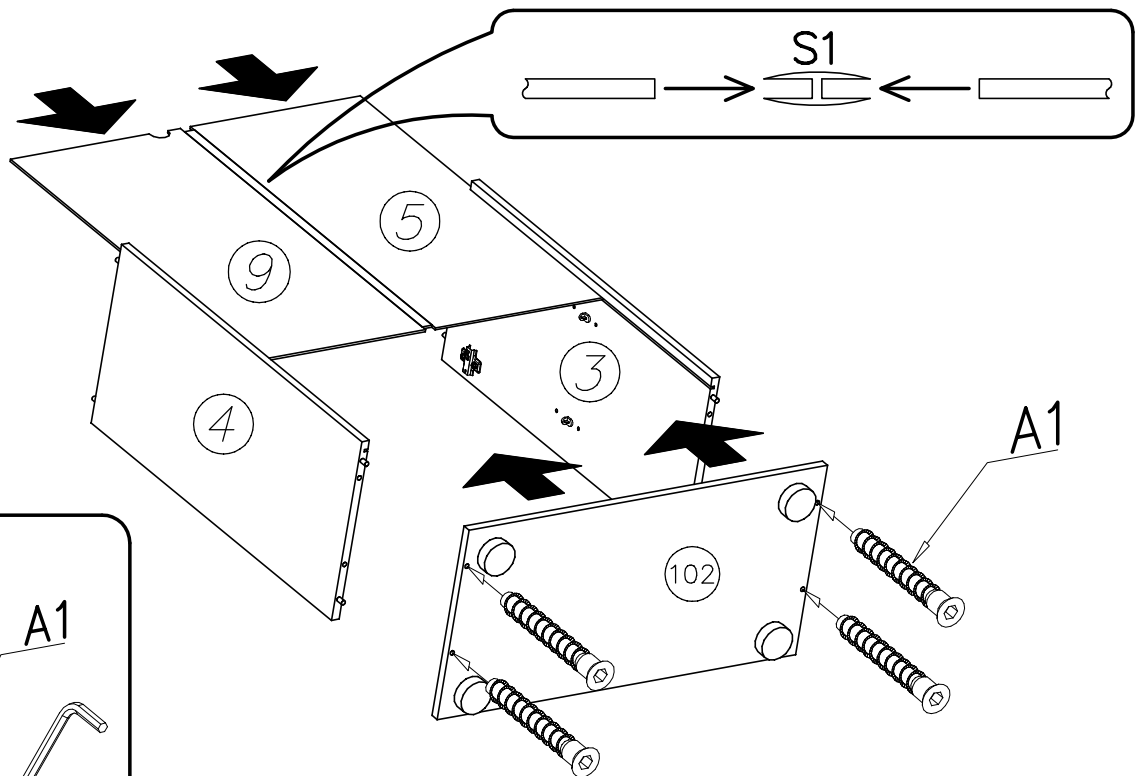
		K1  ø15 x 12 x...(4)	G1  4 x 13 x...(8)	A1  ø7 x 50 x...(4)
S1  684mm x...(1)	U6  ø8 x 40 x...(1)	G28  4 x 60 x...(1)	M11  x...(1)	G4  4 x 16 x...(2)
K5  x...(4)	G8  4 x 30 x...(4)	I1  x...(8)	W2  4mm x...(1)	F1  x...(6)
B1  ø8 x 35 x...(8)	C1  Z26PR x...(4)	D1  PZ26PR x...(4)	E1  128mm x...(2)	P1  x...(4)



I

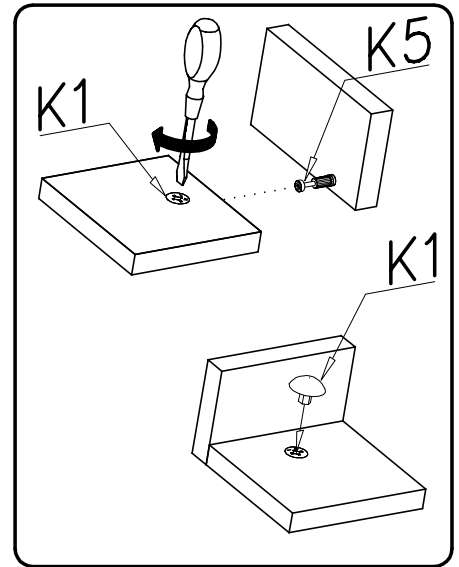
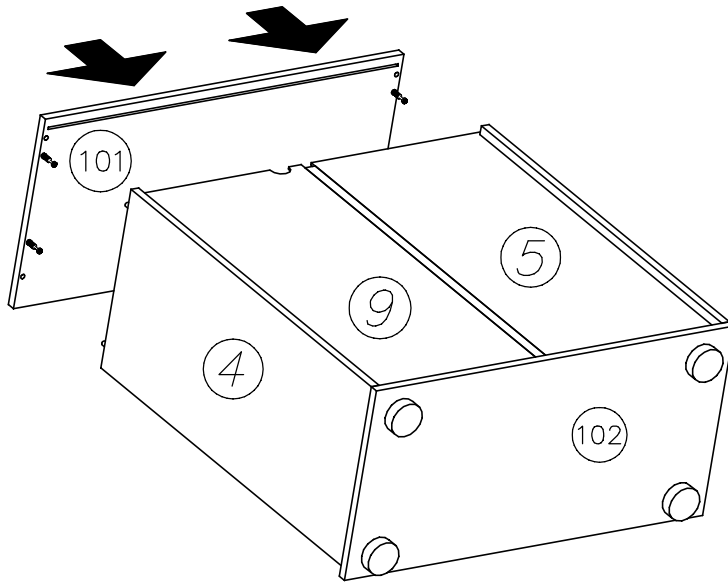


II

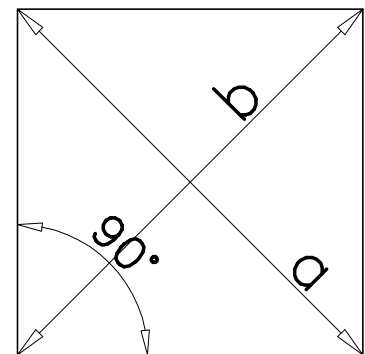
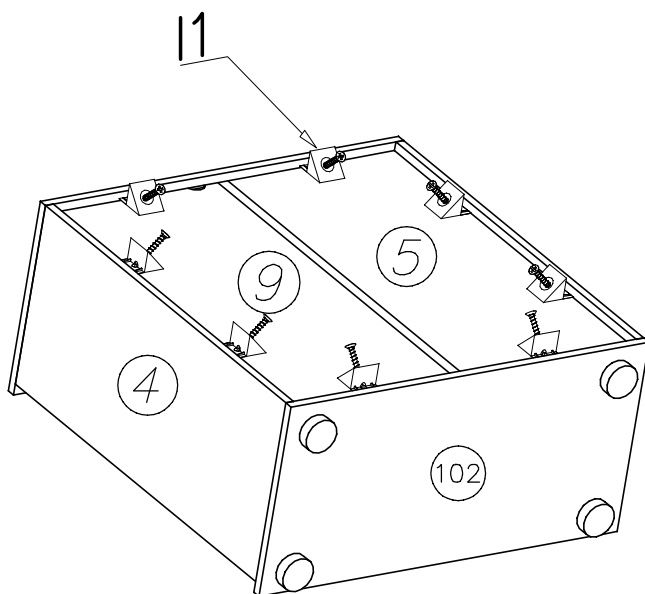




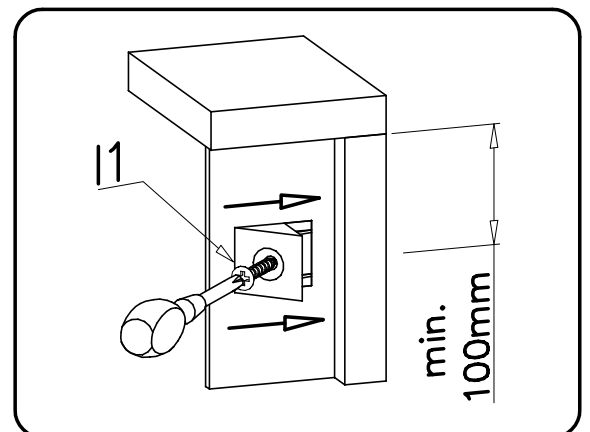
III



IV

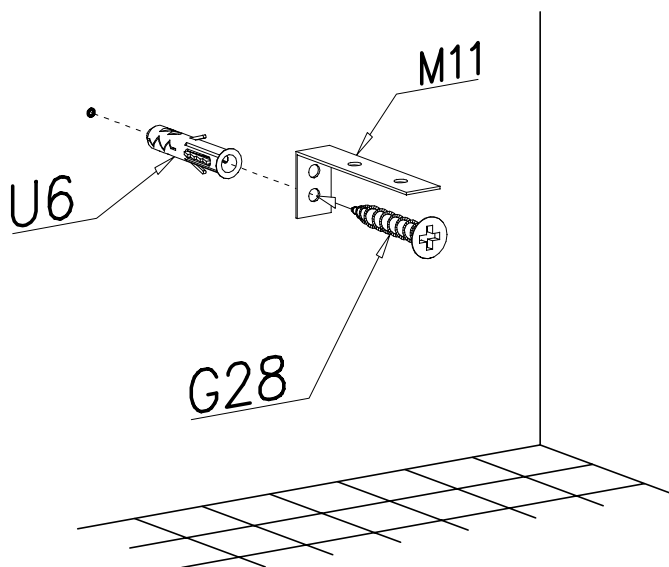
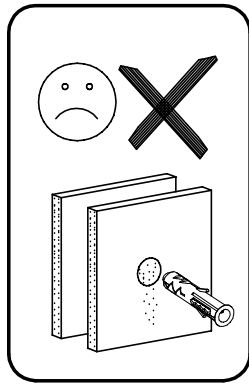
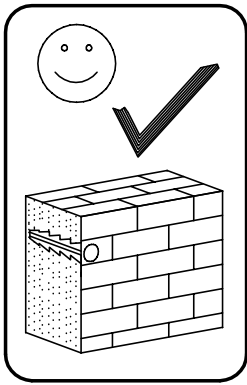
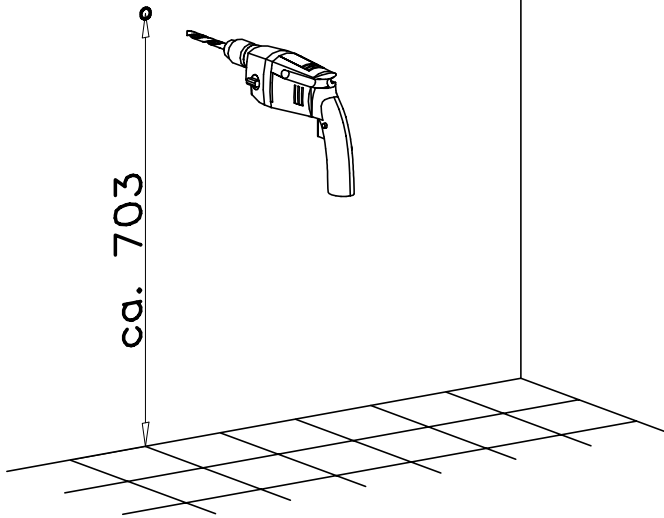


$$a = b$$

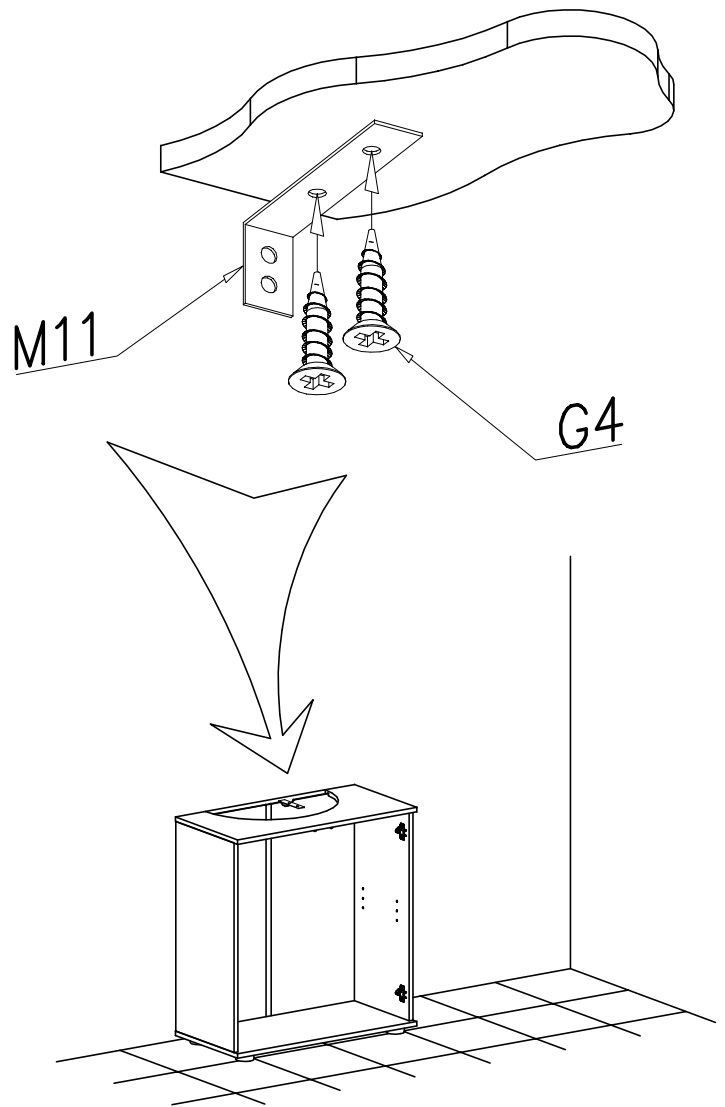




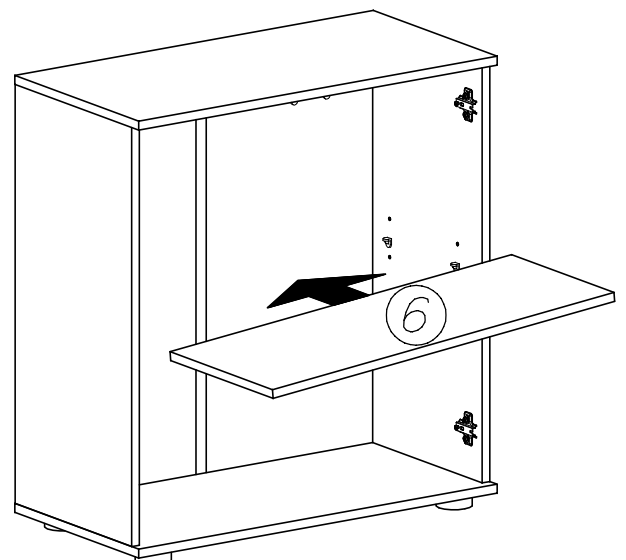
V



VI

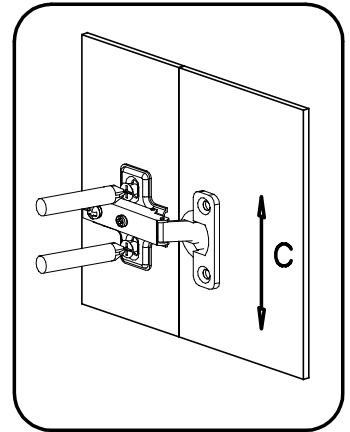
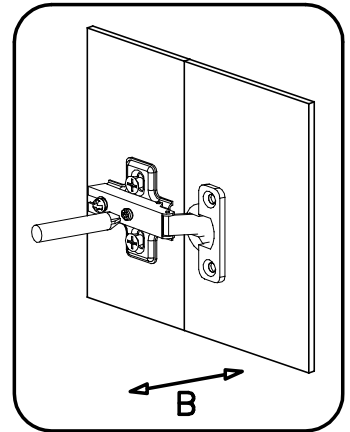
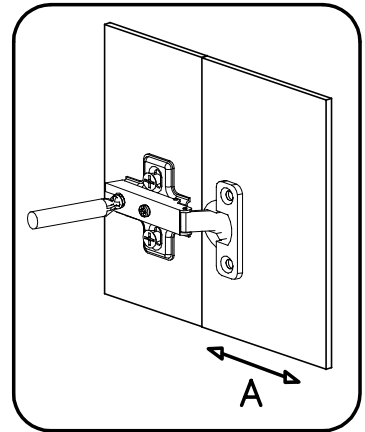
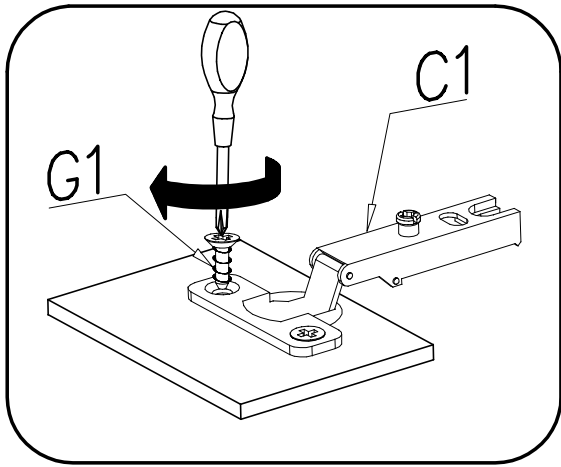
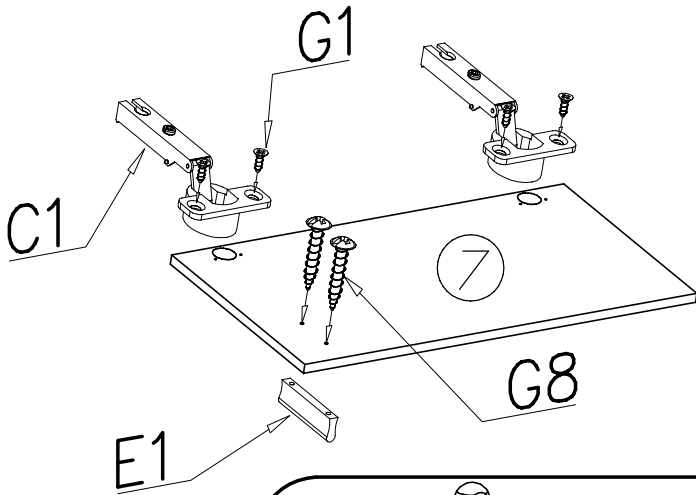
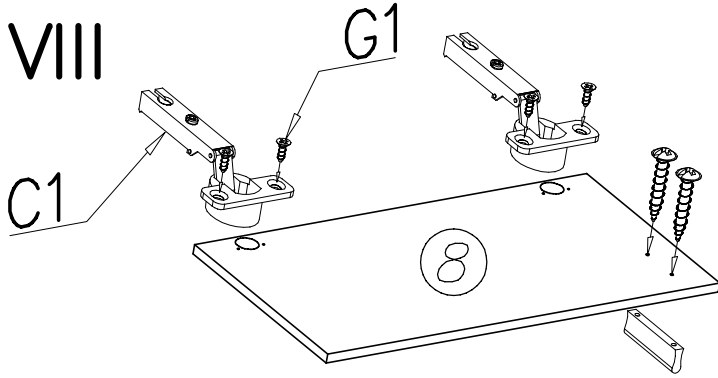


VII





VIII



IX

