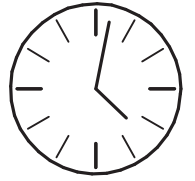
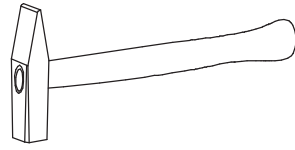
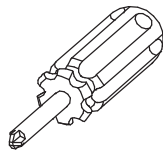
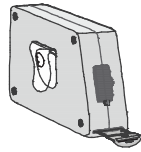
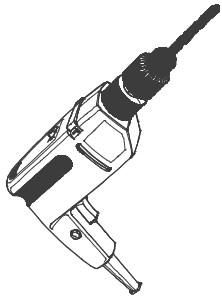
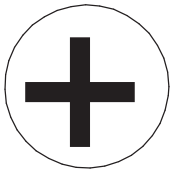
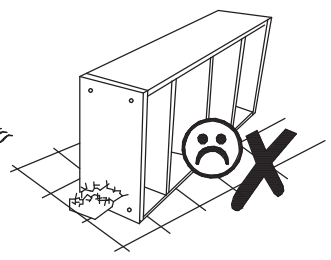
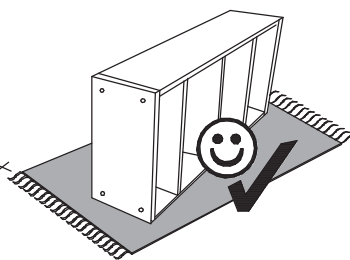
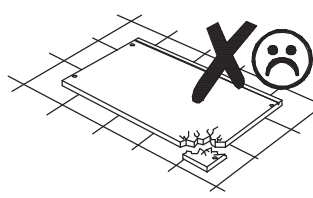
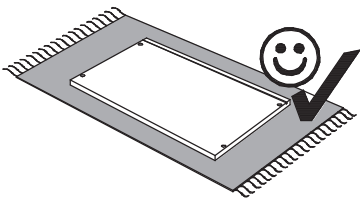
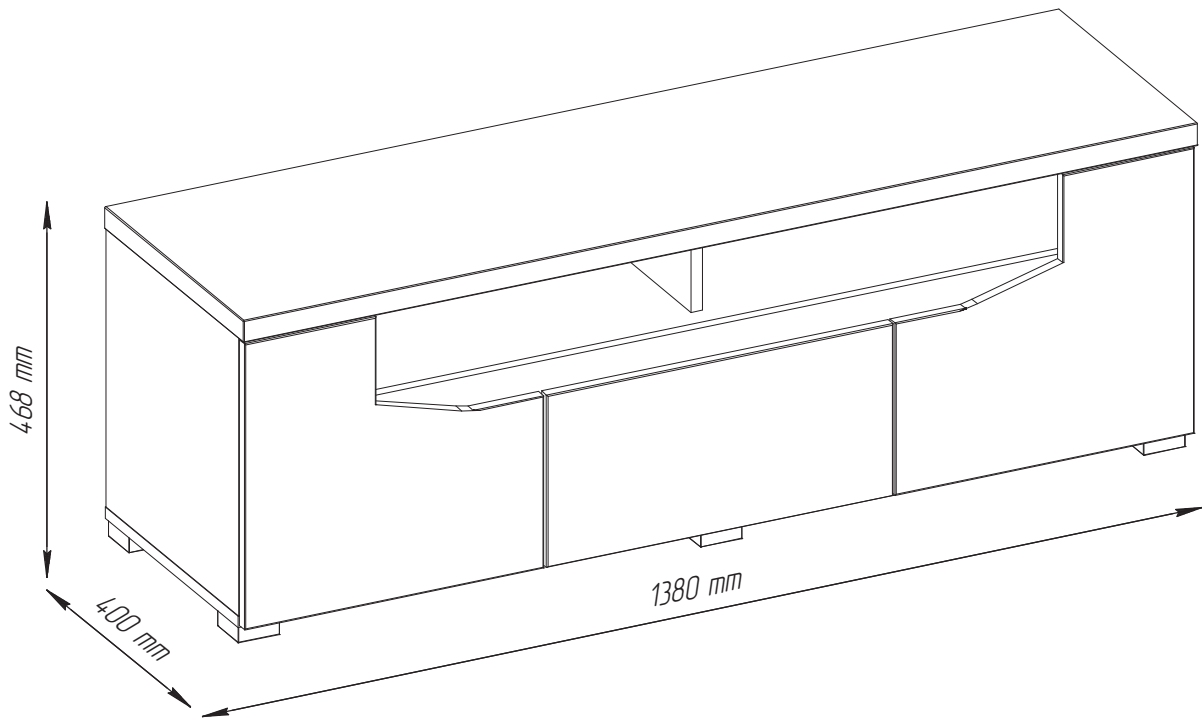
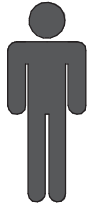
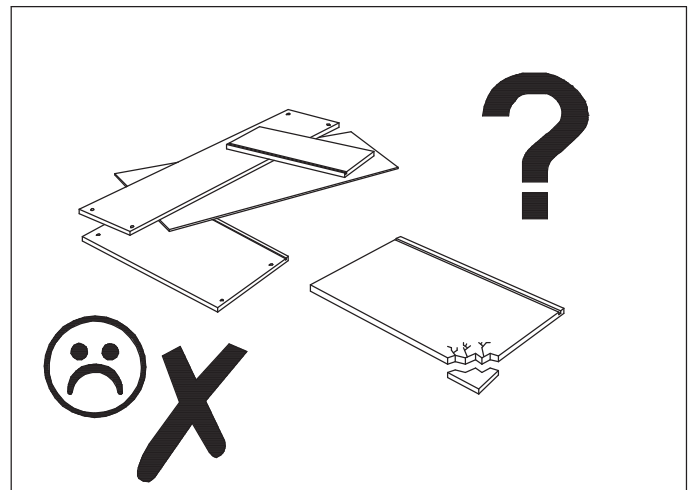
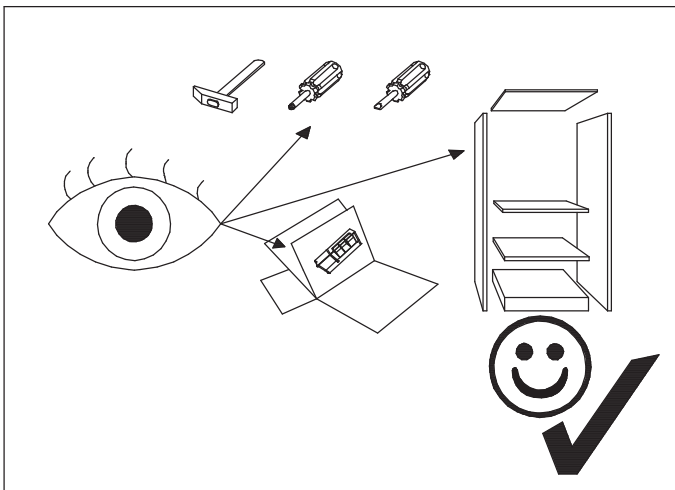
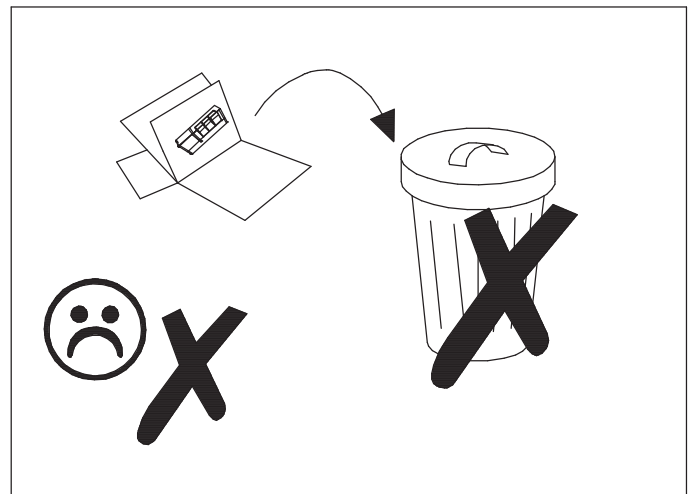
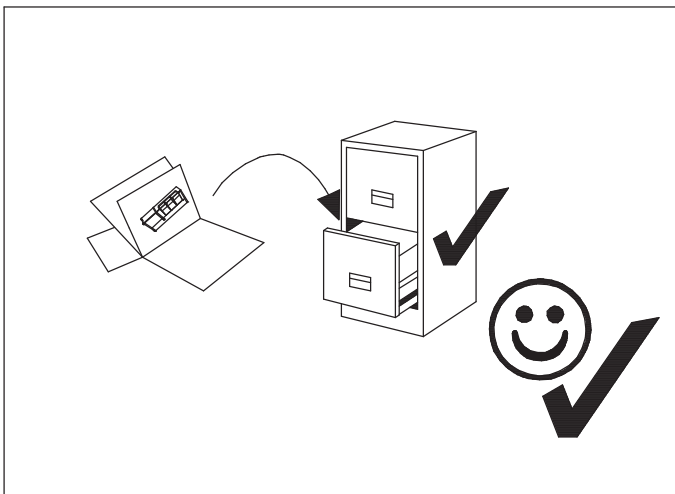
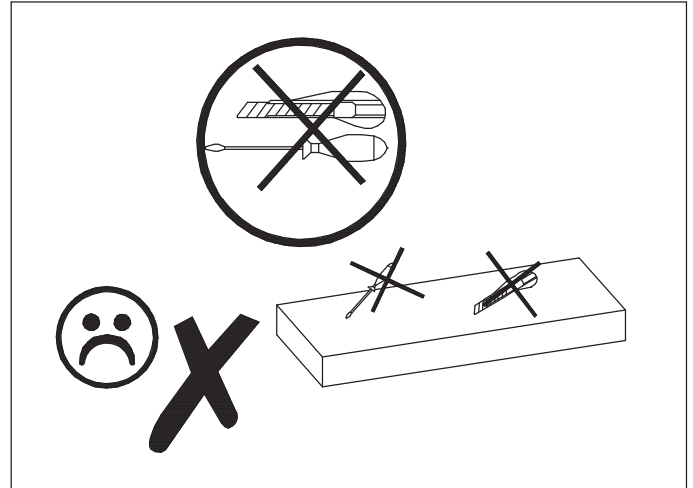
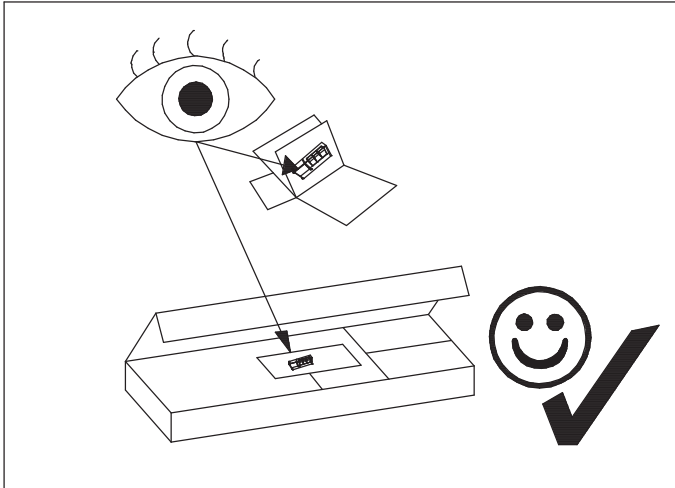


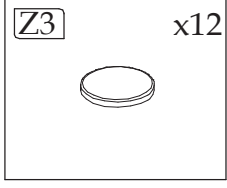
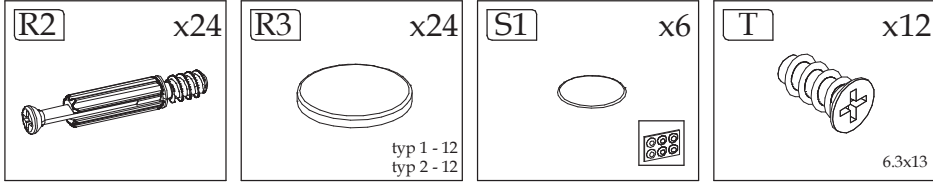
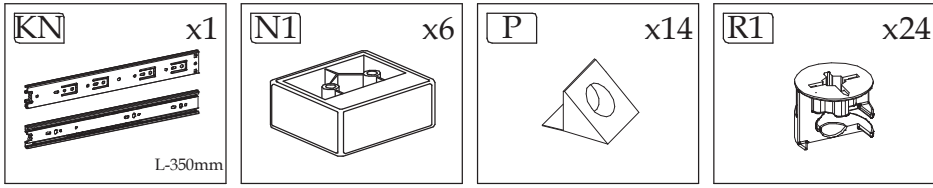
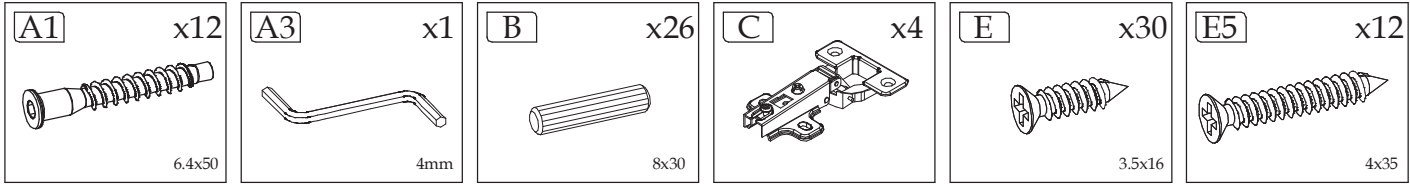
LAGOS B



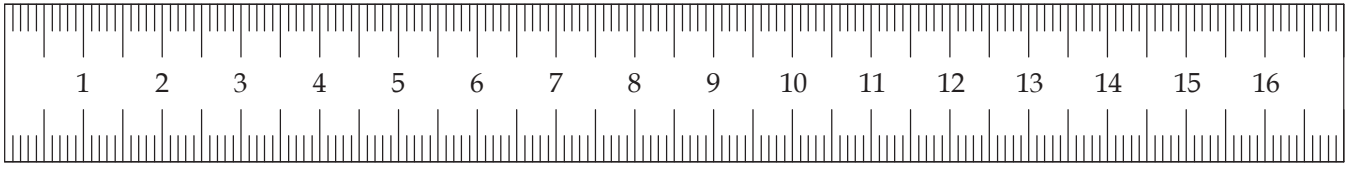
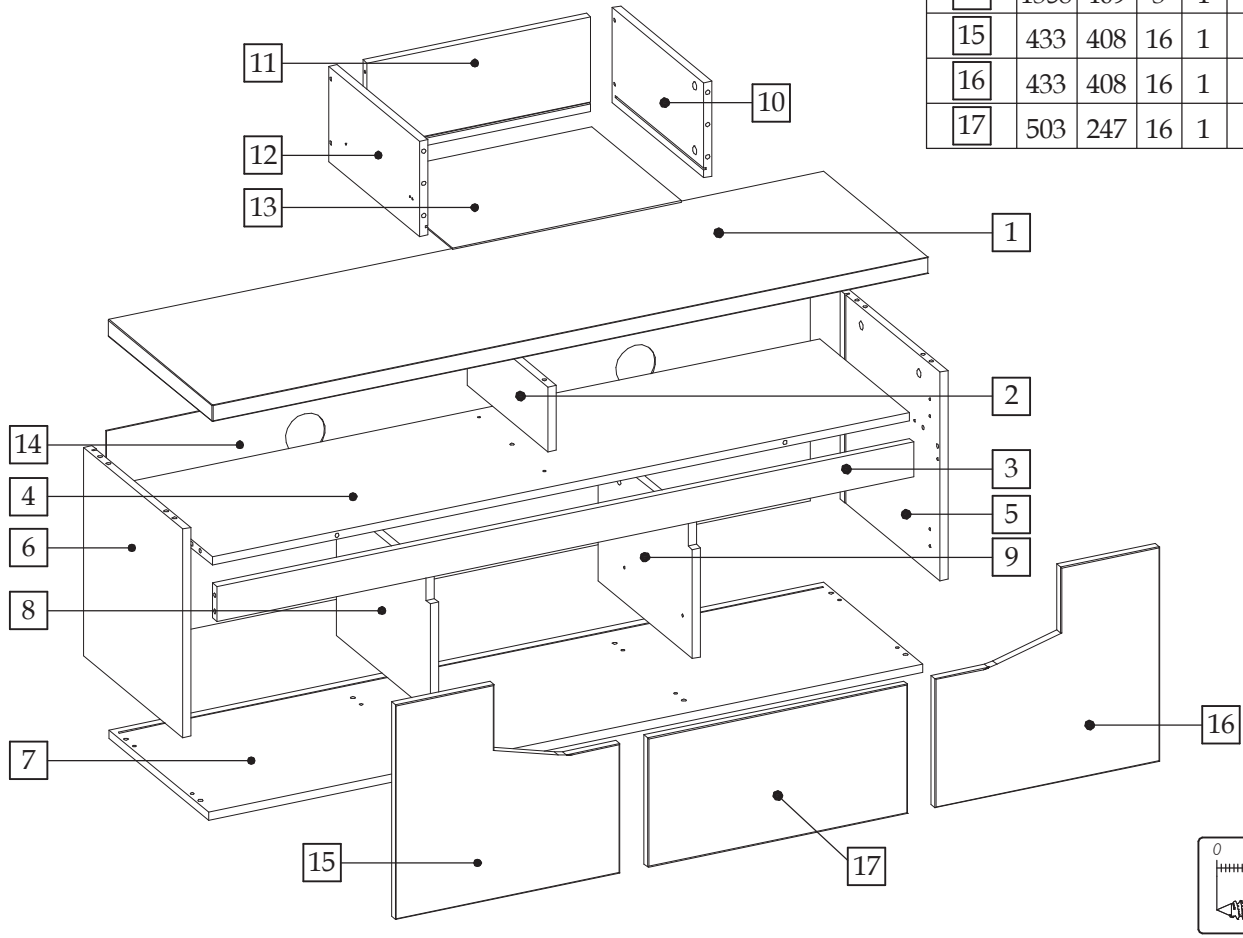
90 min

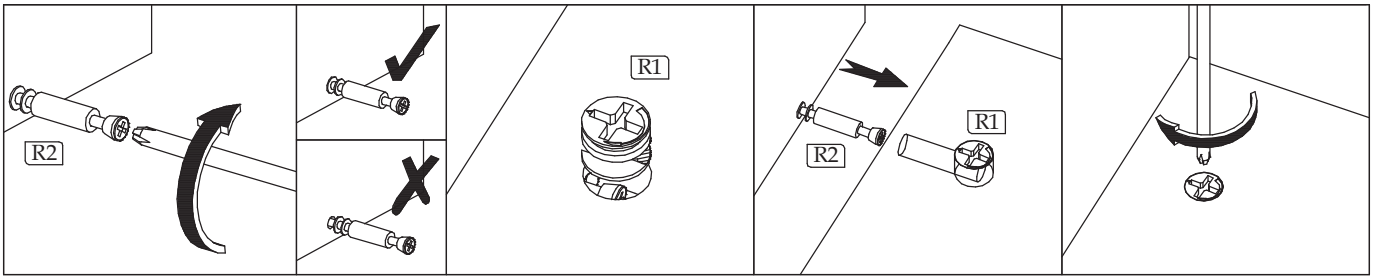




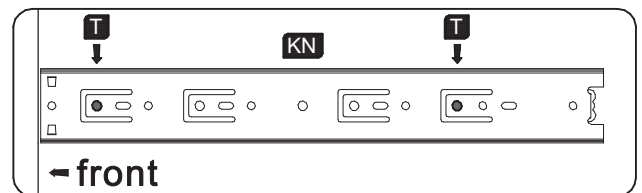
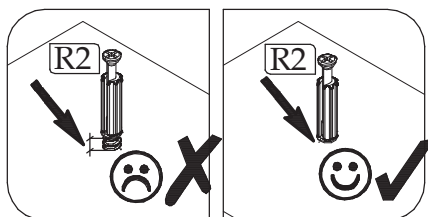
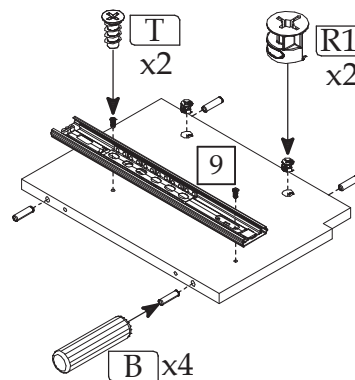
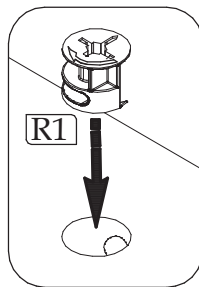
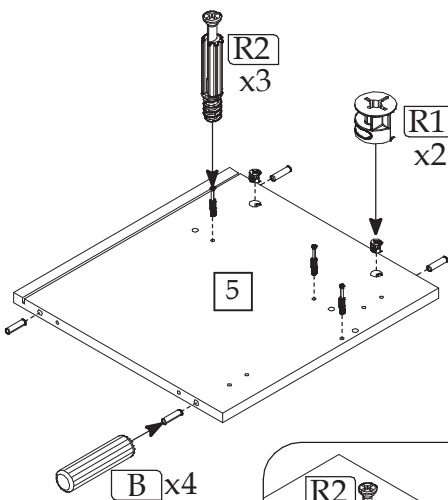
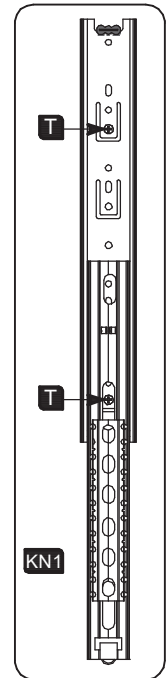
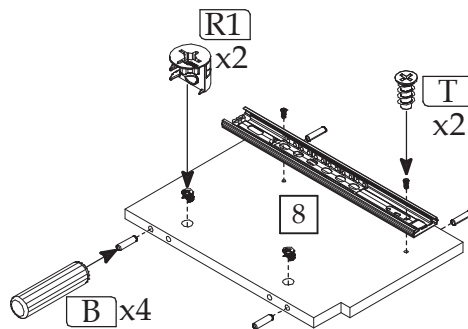
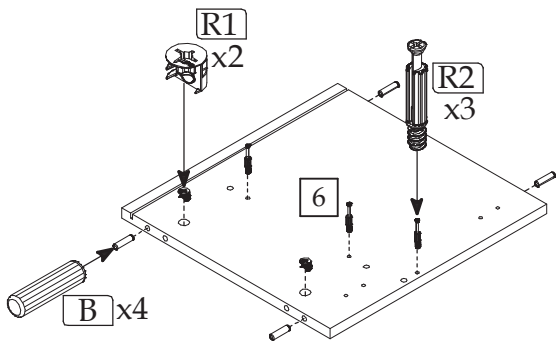
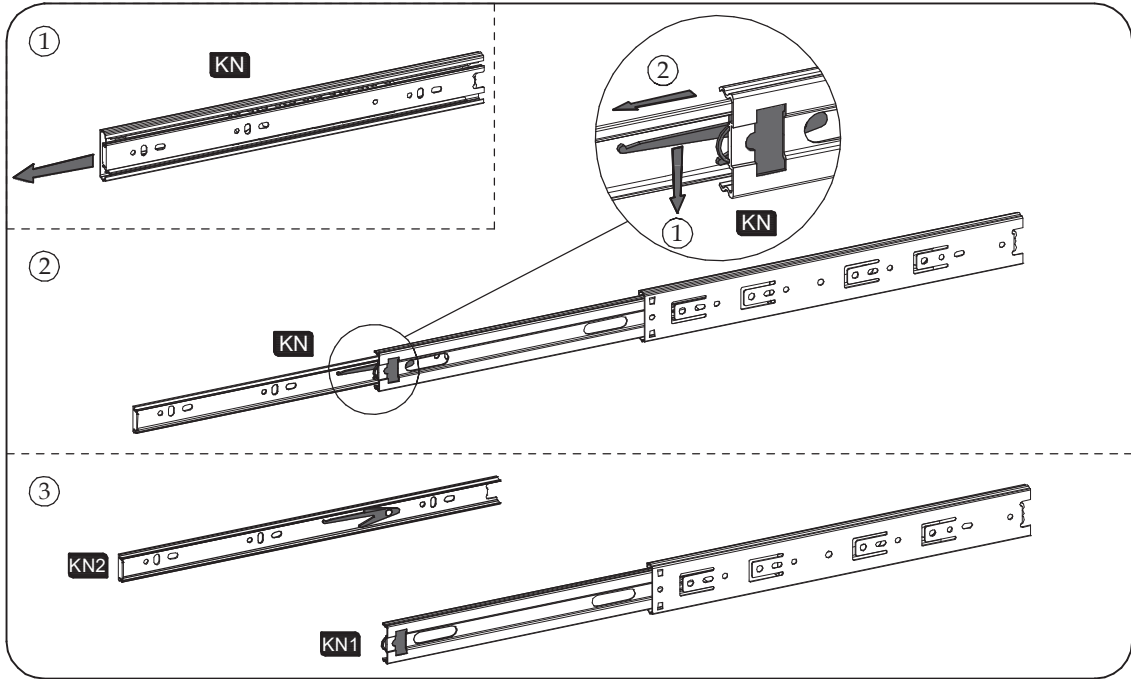


Element symbol	Measurements				Code	Paket
	1	2	3	4		
1	1380	400	32	1	1001/1005	2/2
2	123	311.5	16	1	1017	2/2
3	1344	66	16	1	1015	2/2
4	1344	345	16	1	1007/2007	2/2
5	395	382	16	1	1002	1/2
6	395	382	16	1	1003	1/2
7	1378	382.5	16	1	1004/2004	2/2
8	256	362	16	1	1008_v	2/2
9	256	362	16	1	1009_v	2/2
10	350.5	180	16	1	1011/2011	1/2
11	431.5	179	16	1	1012	2/2
12	350.5	180	16	1	1013/2013	2/2
13	441	343	3	1	N/A	2/2
14	1358	409	3	1	1035_v	2/2
15	433	408	16	1	3001	1/2
16	433	408	16	1	3002	1/2
17	503	247	16	1	3003	2/2

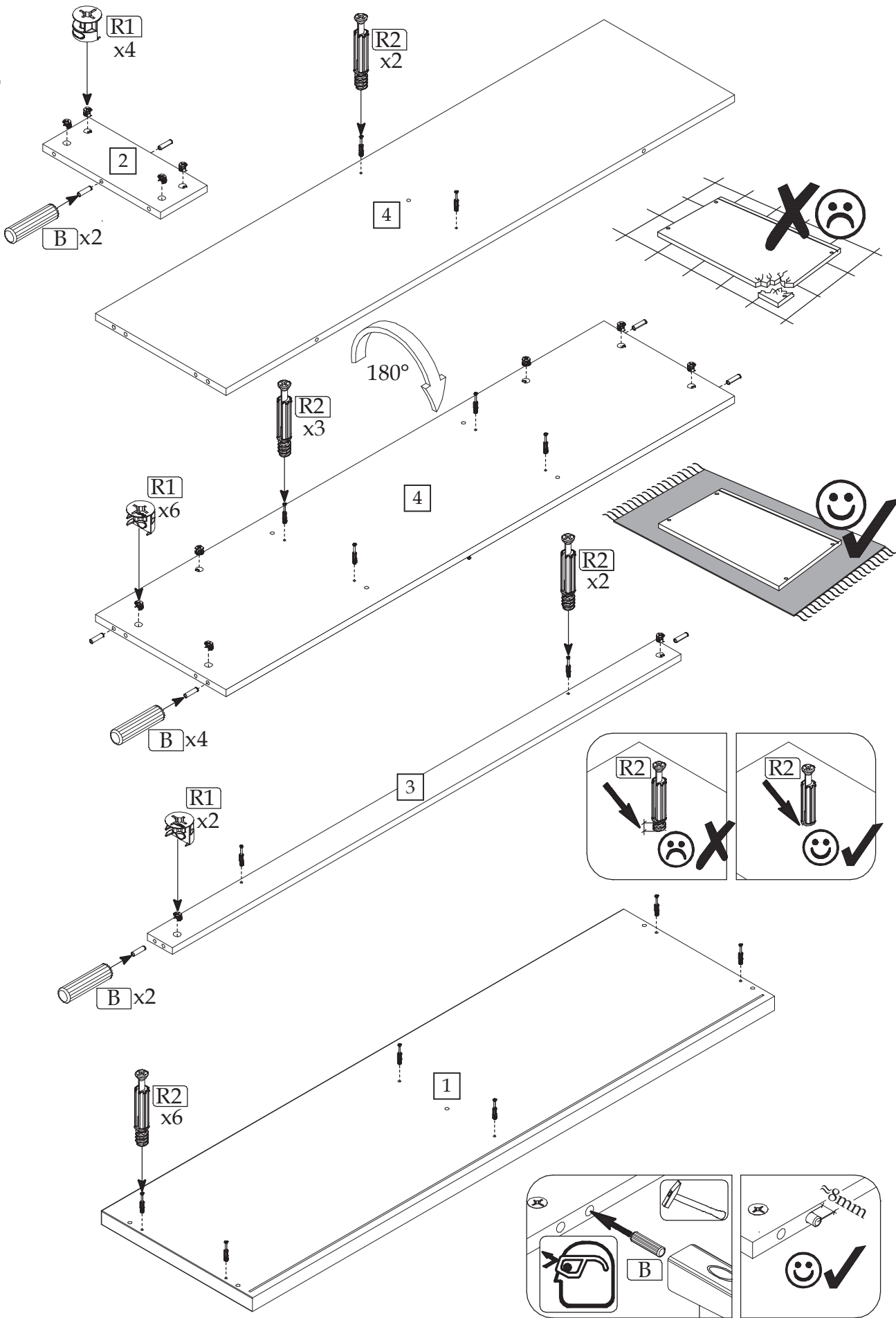




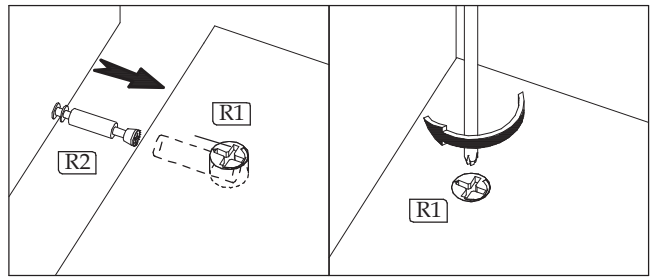
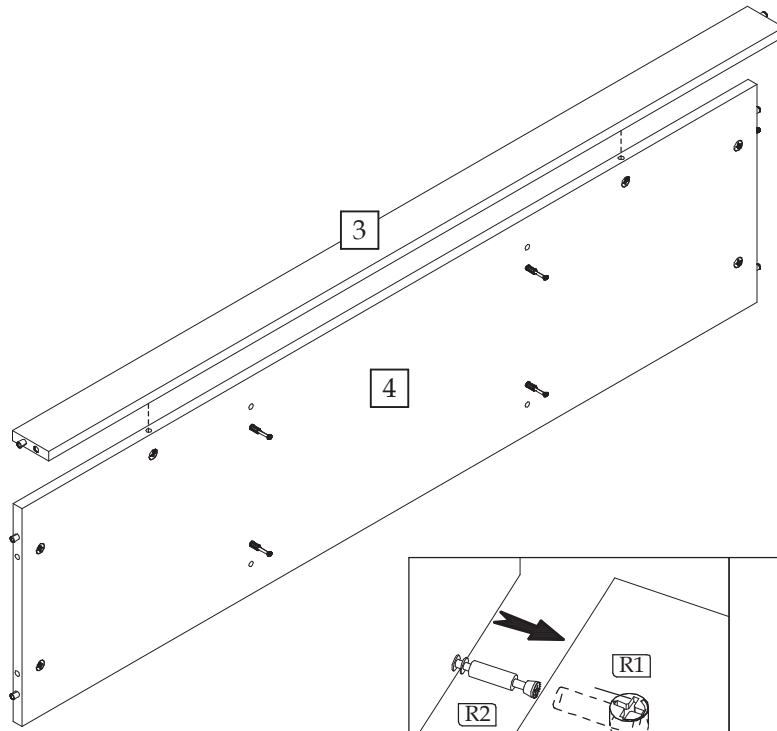
► 1



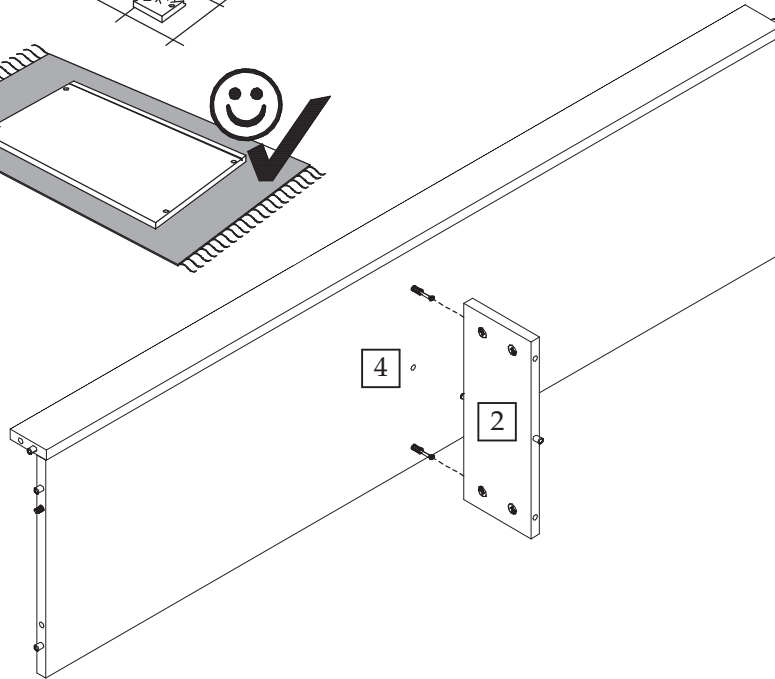
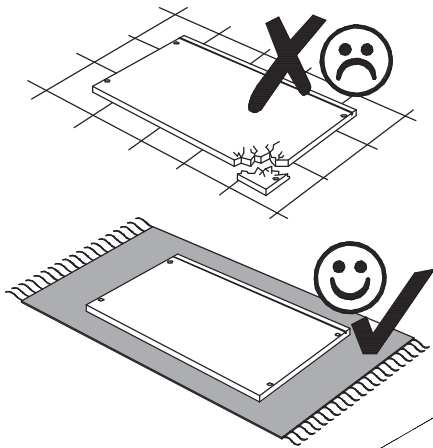
▶ 2



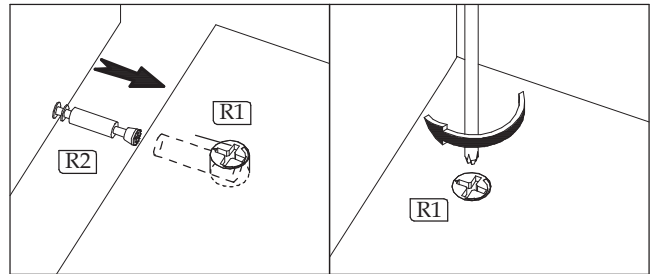
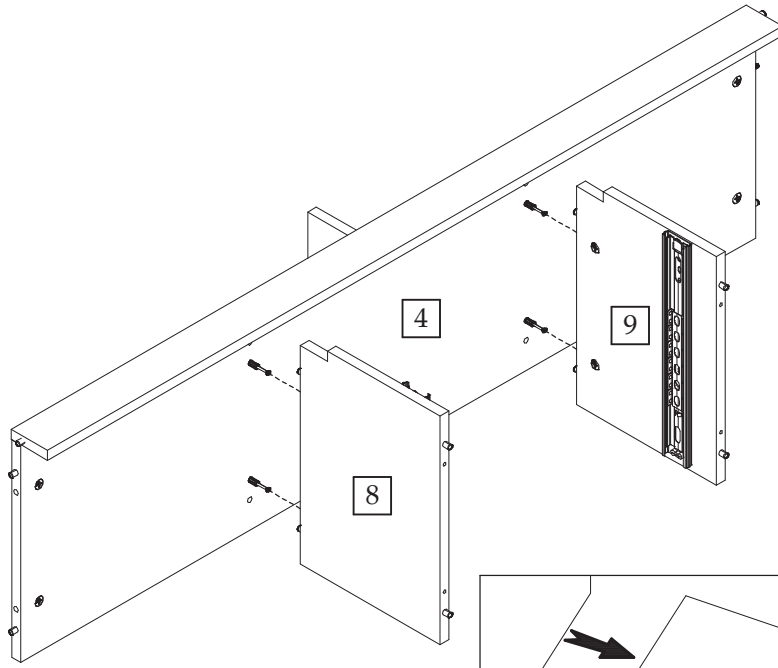
▶ 3



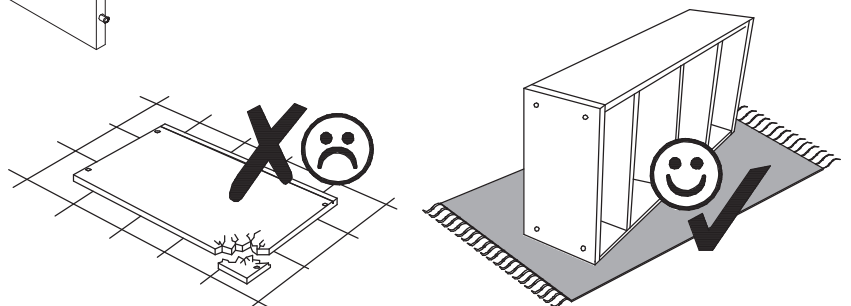
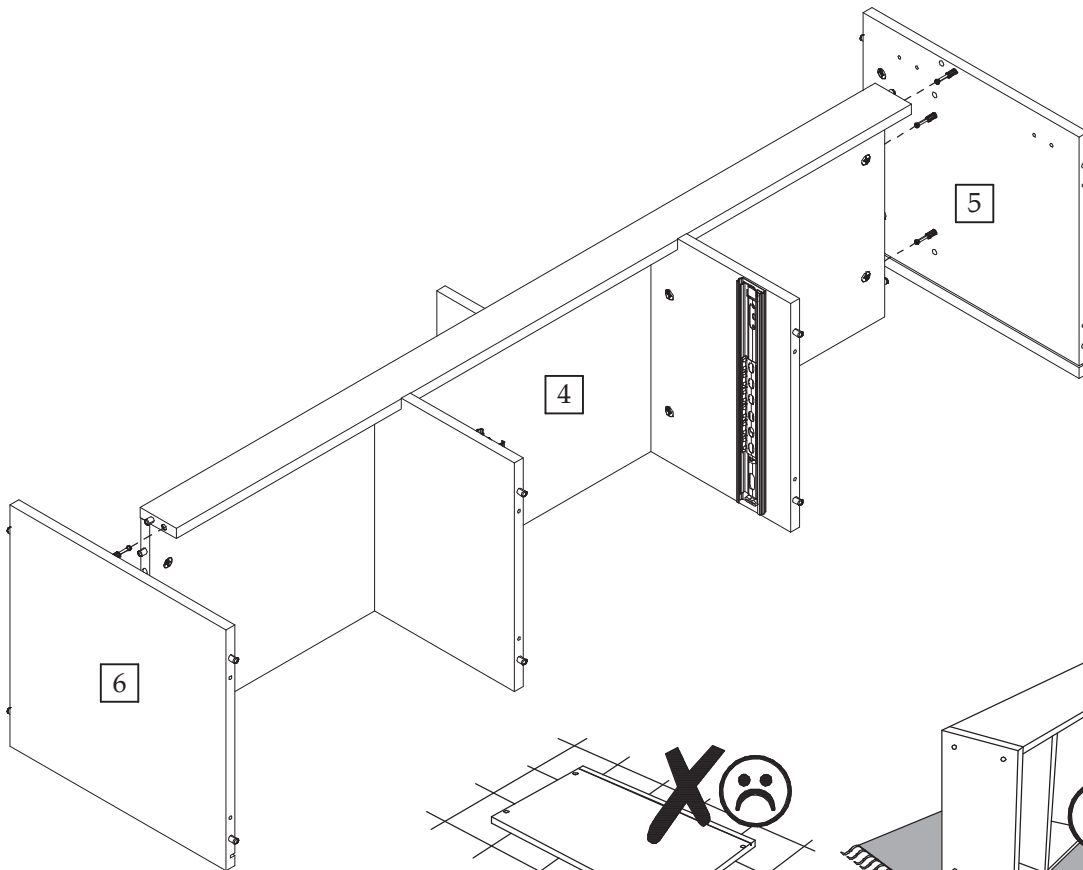
▶ 4



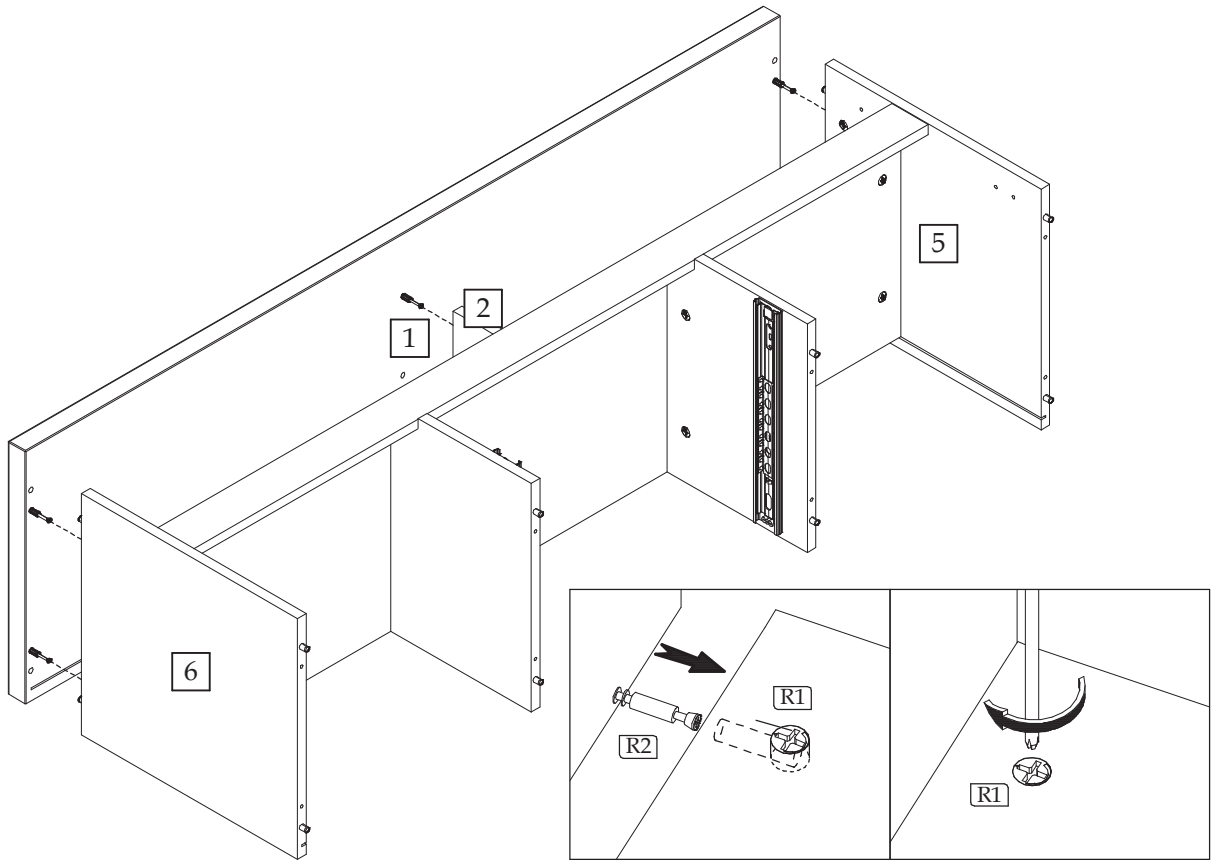
▶ 5



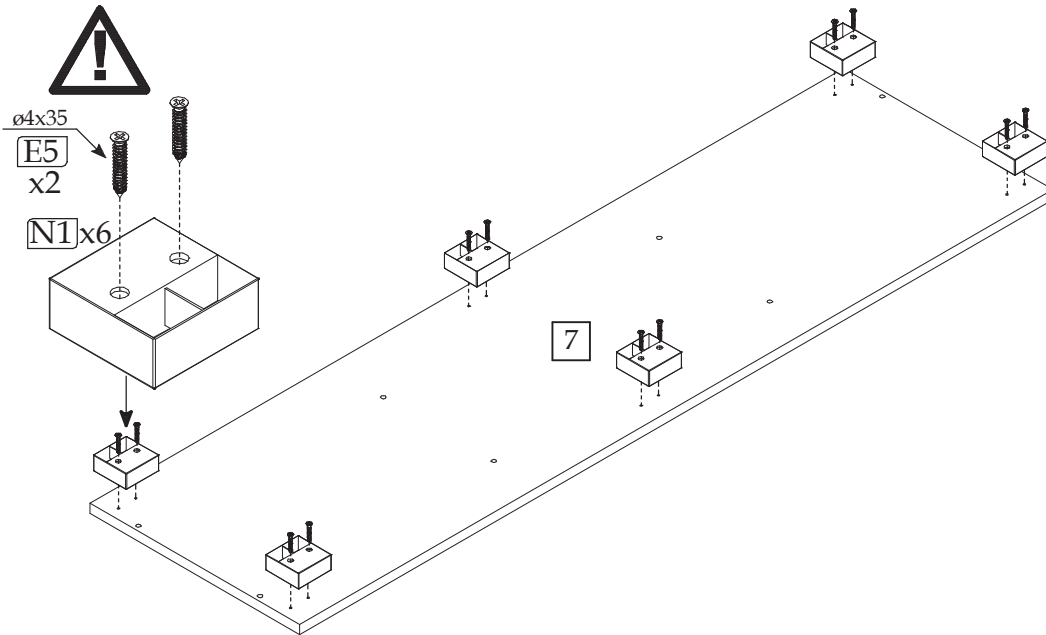
▶ 6



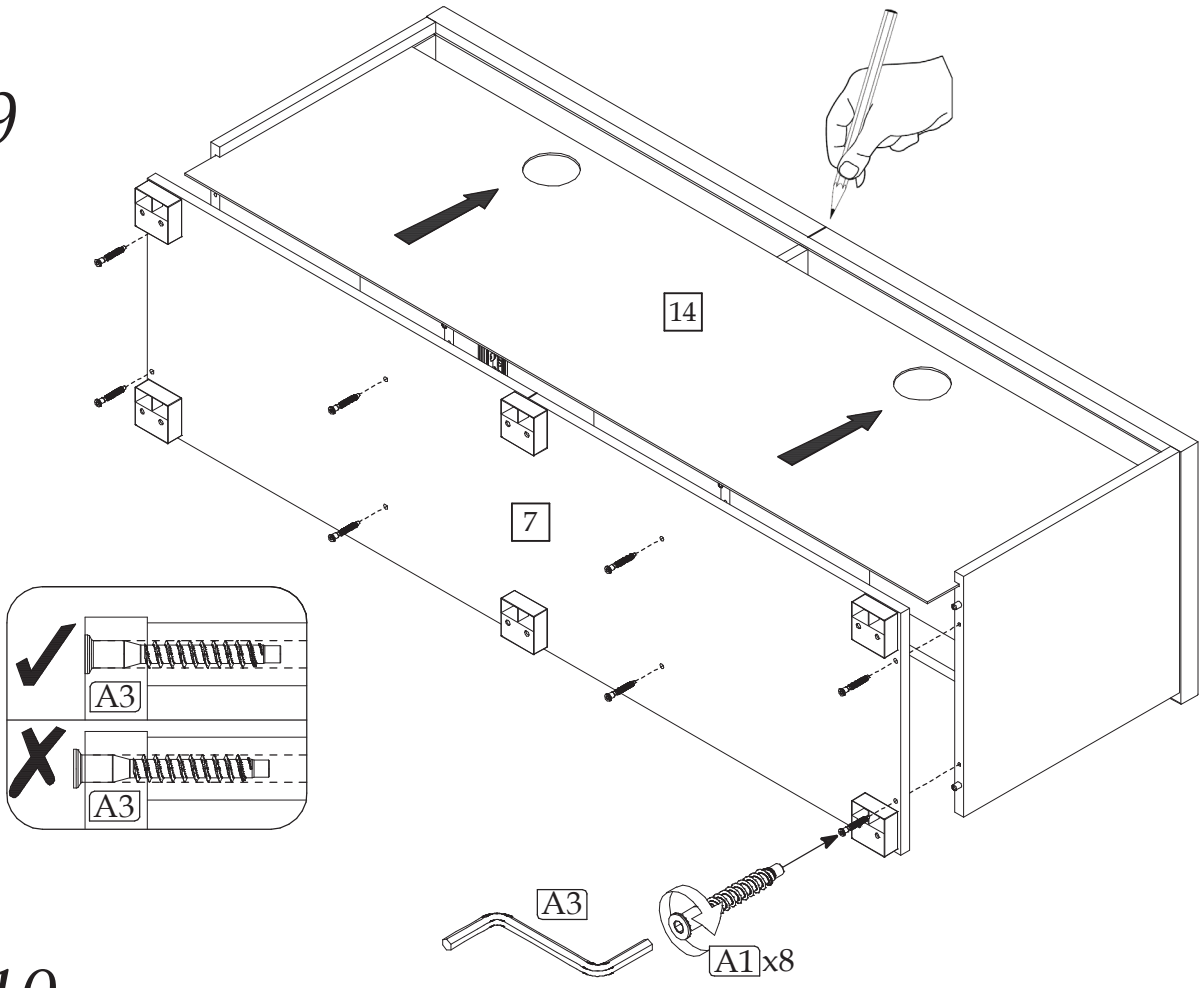
▶ 7



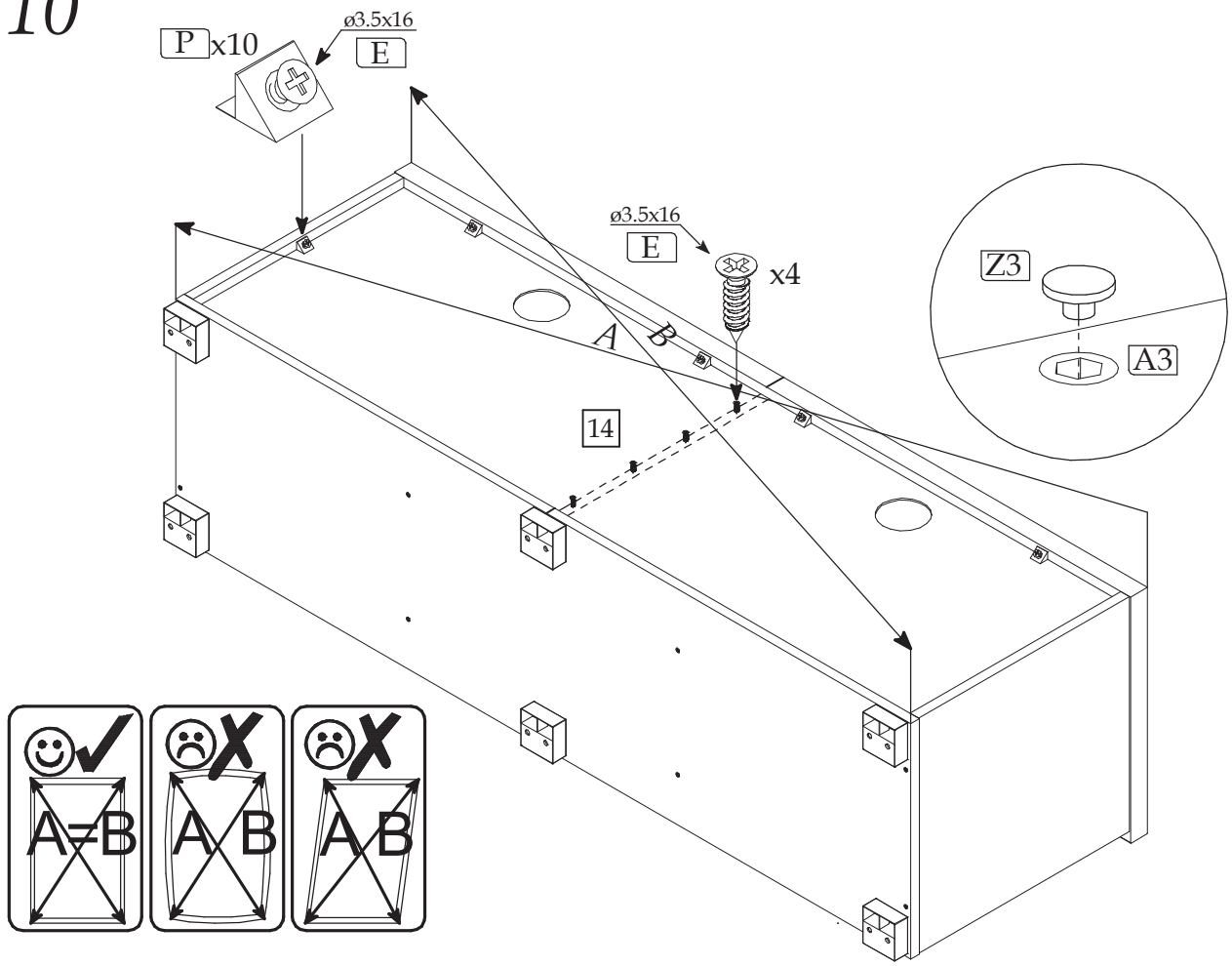
▶ 8



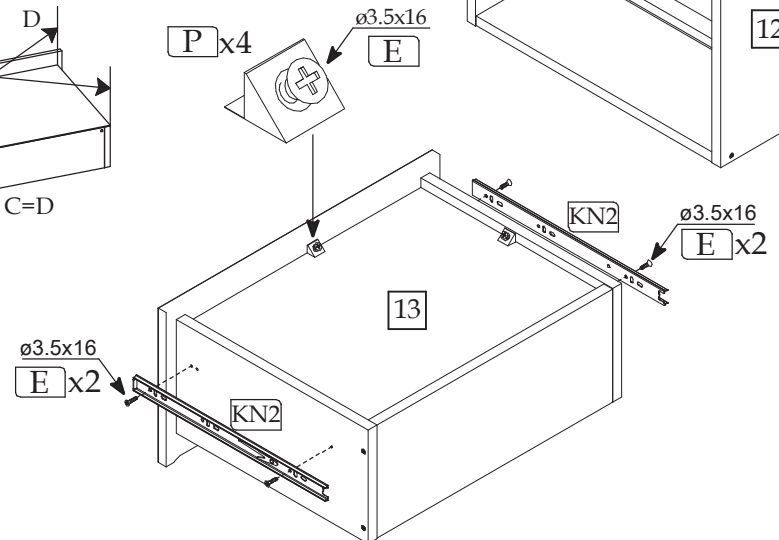
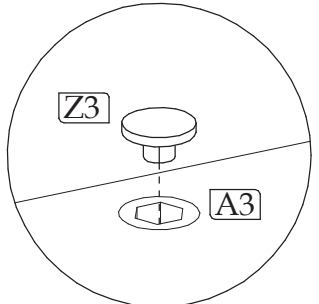
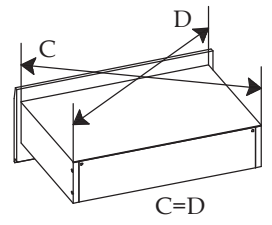
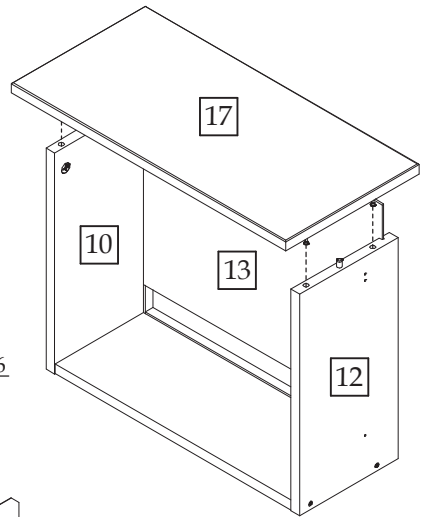
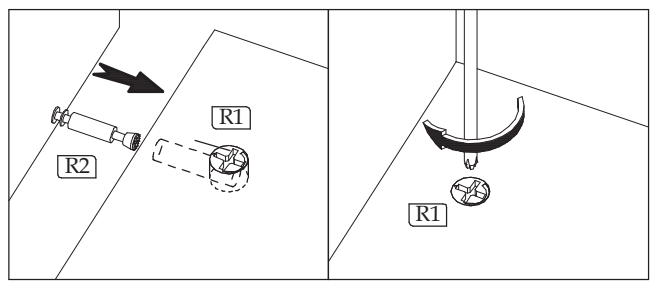
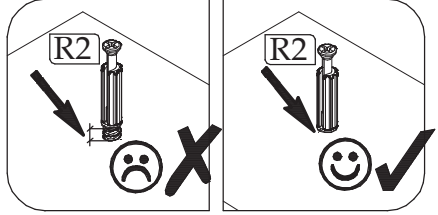
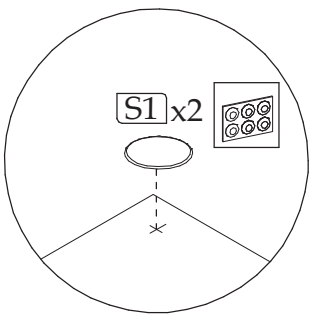
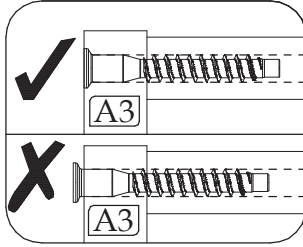
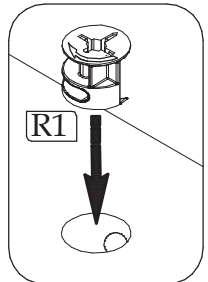
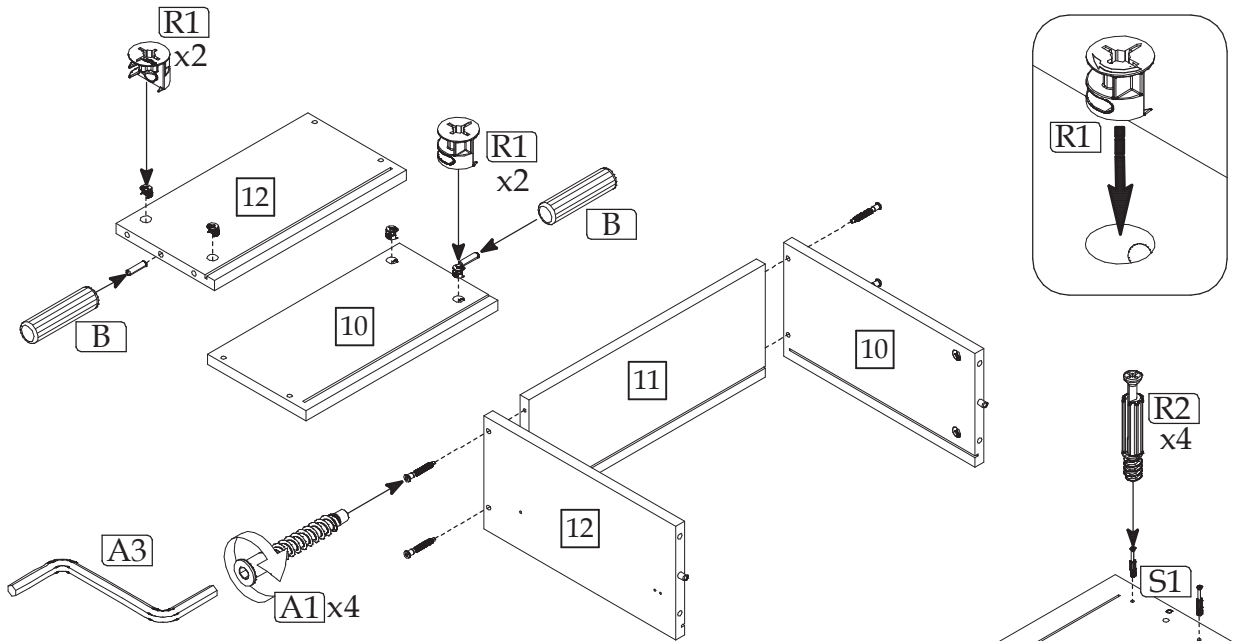
▶ 9



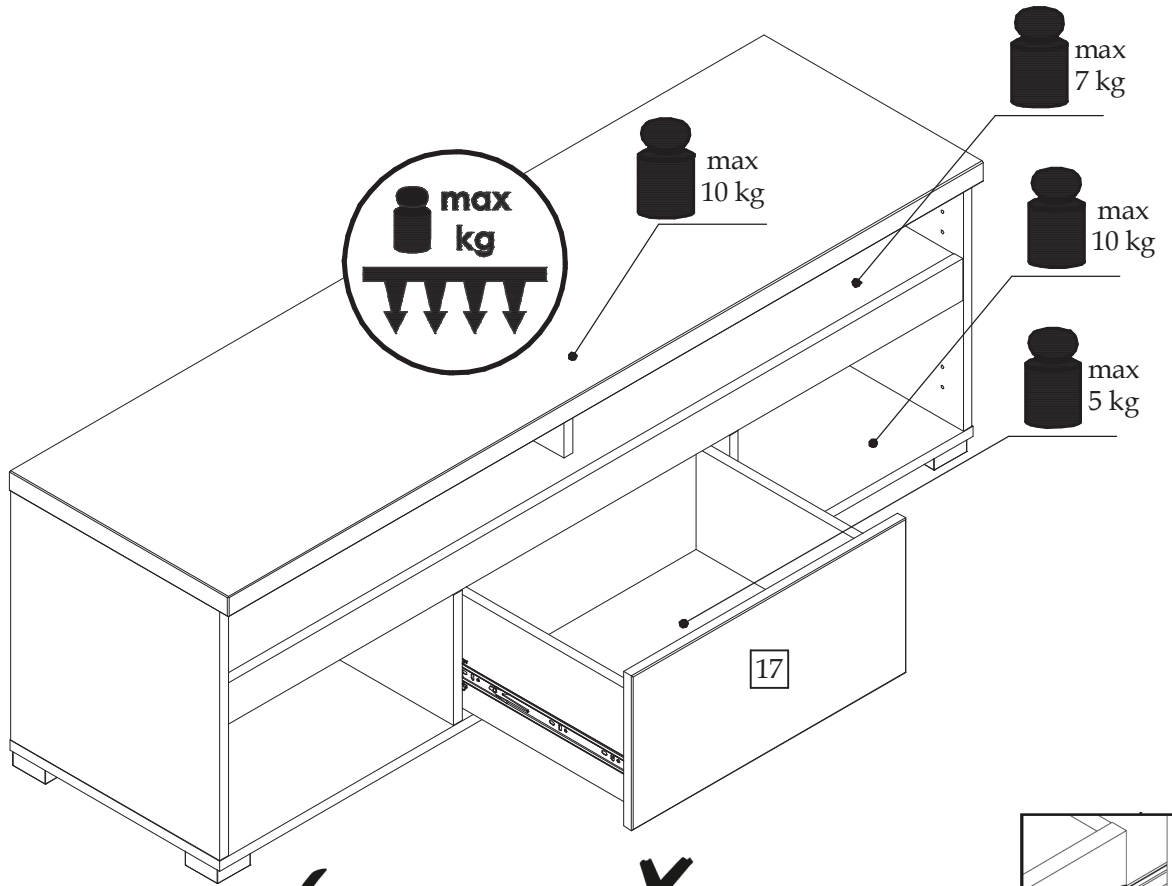
▶ 10



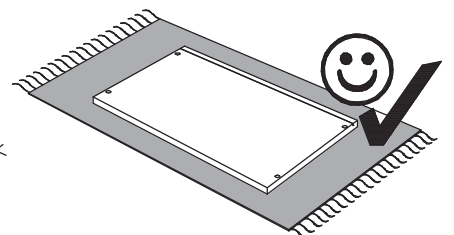
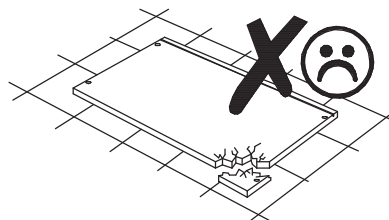
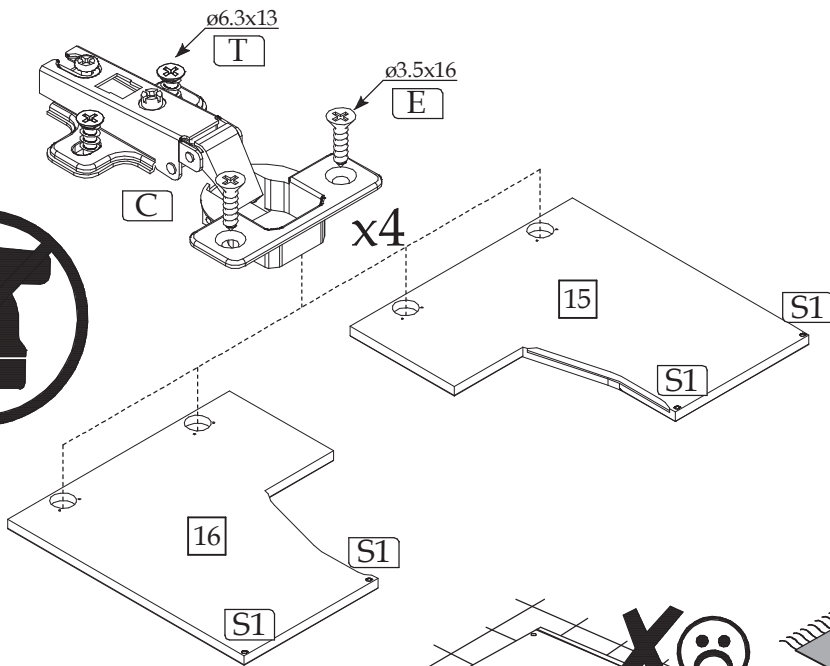
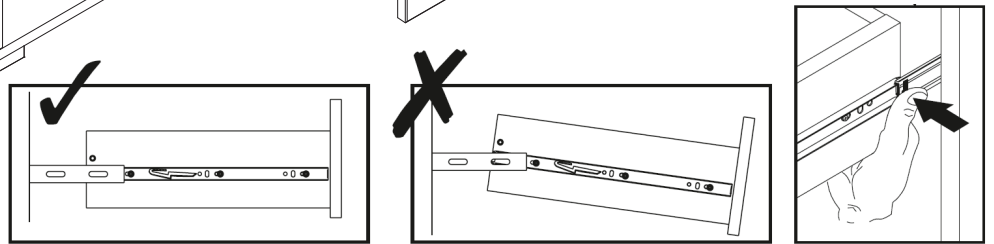
▶ 11



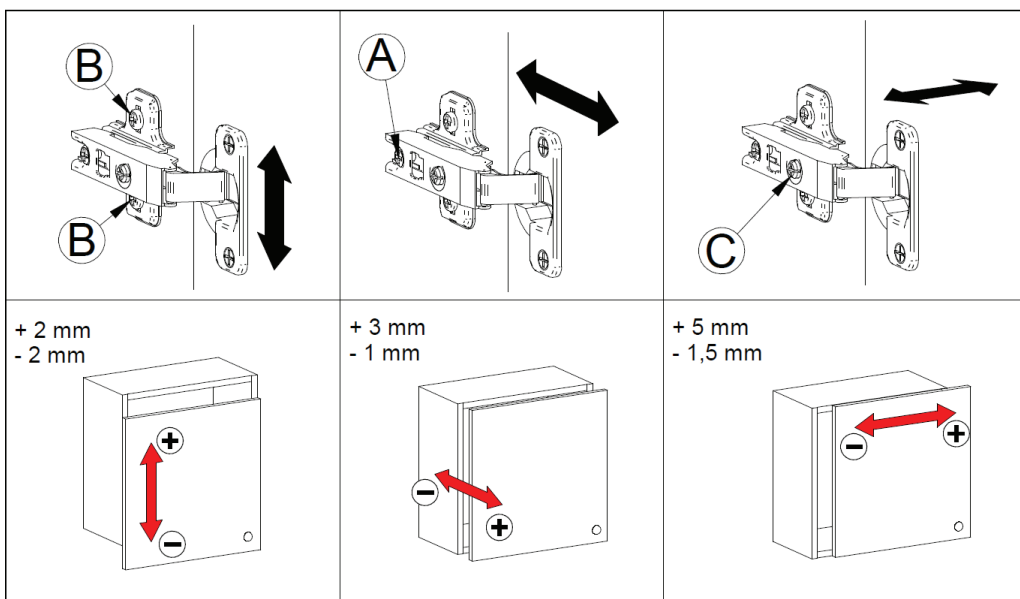
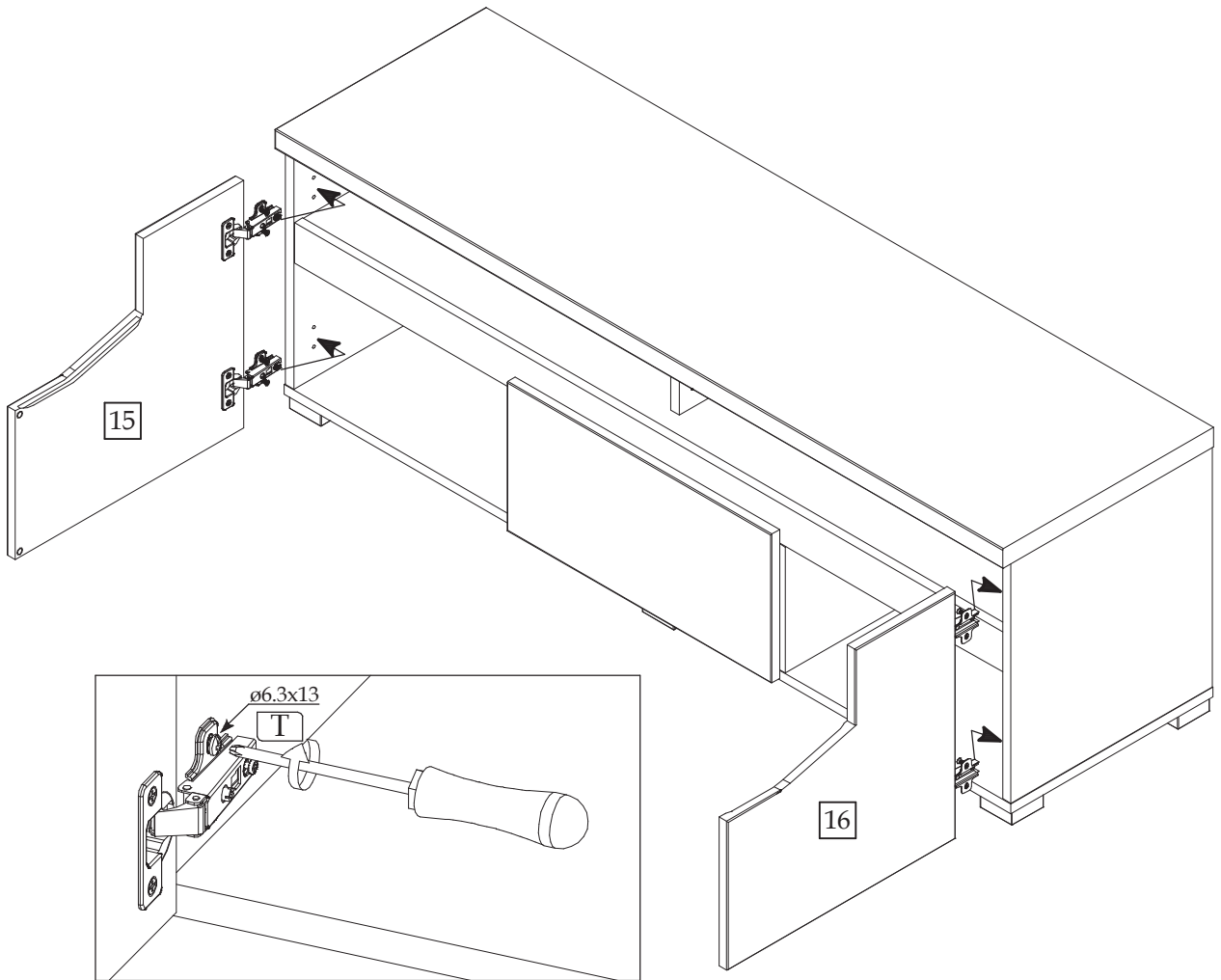
▶ 12



▶ 13



► 14



▶ 15

