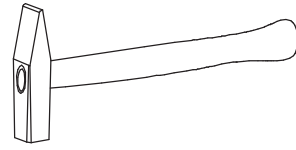
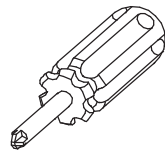
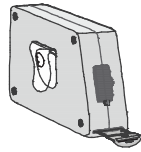
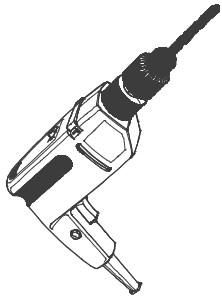
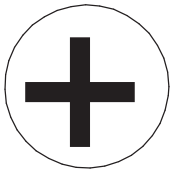
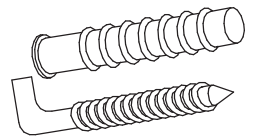
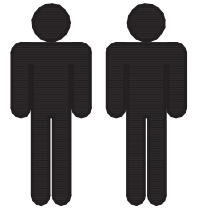


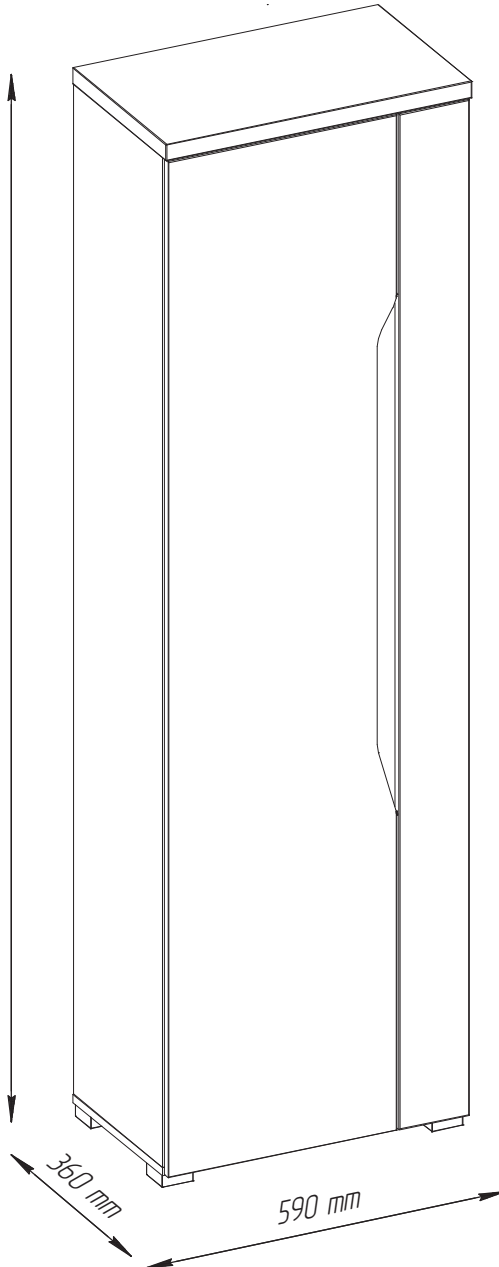
LAGOS V1



90 min

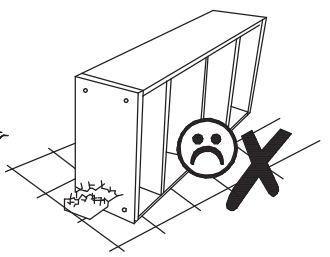
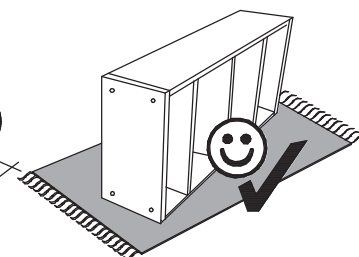
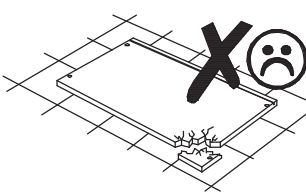
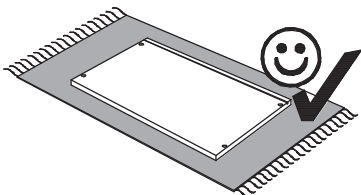


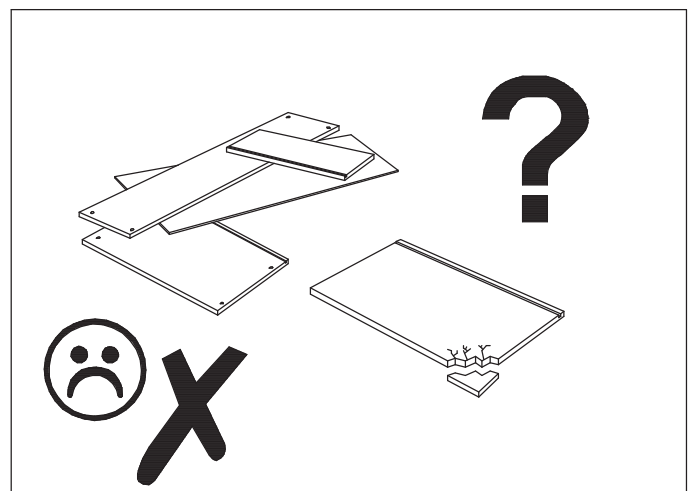
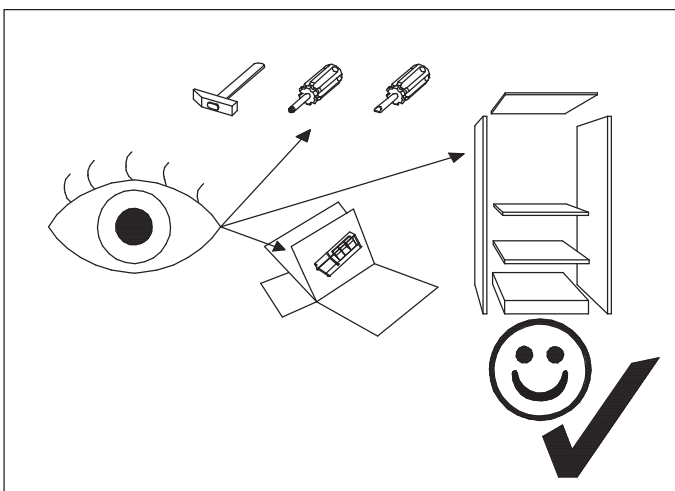
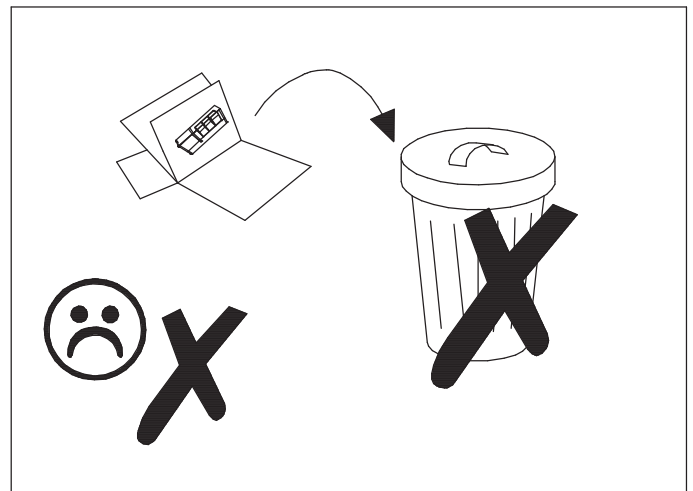
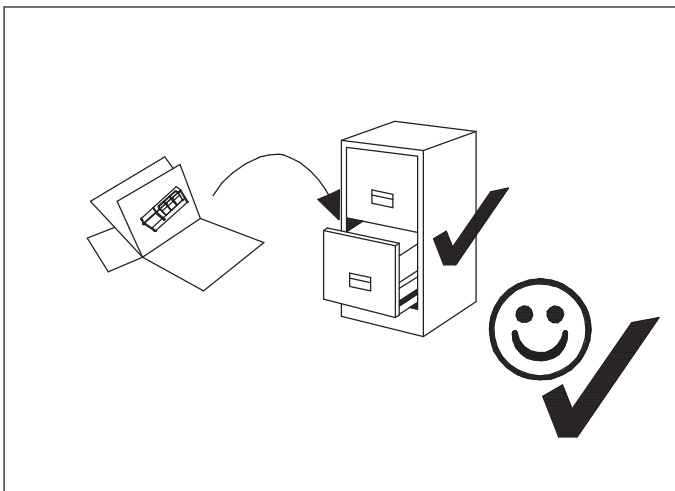
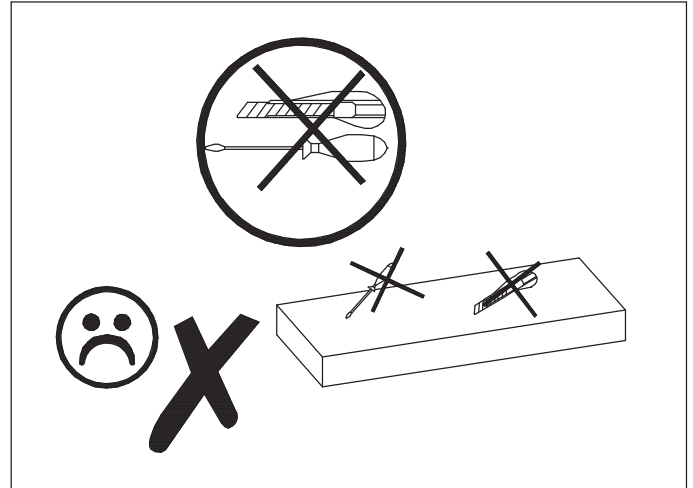
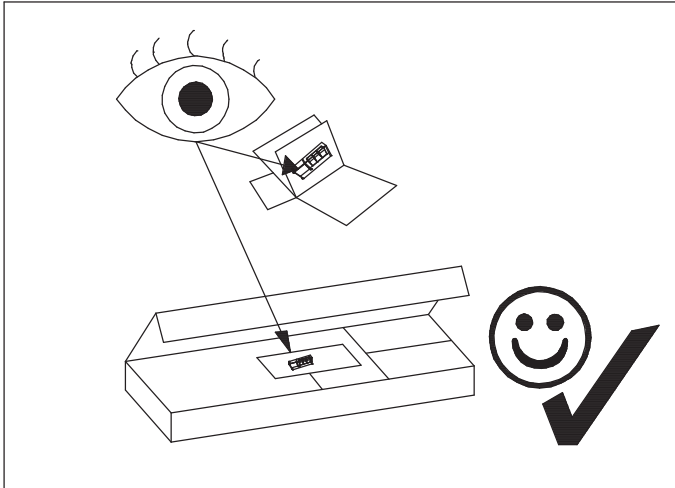
1985 mm

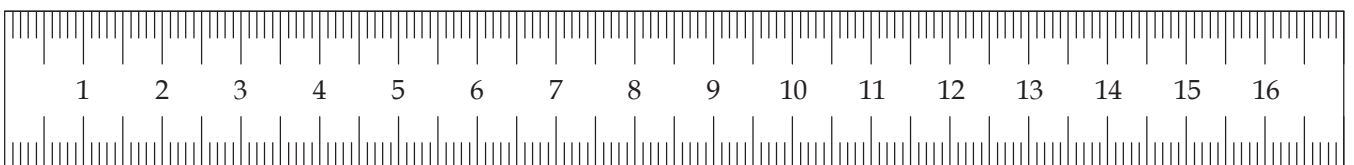
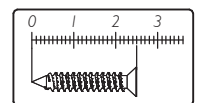
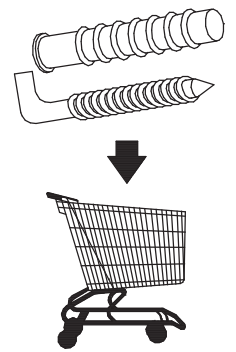
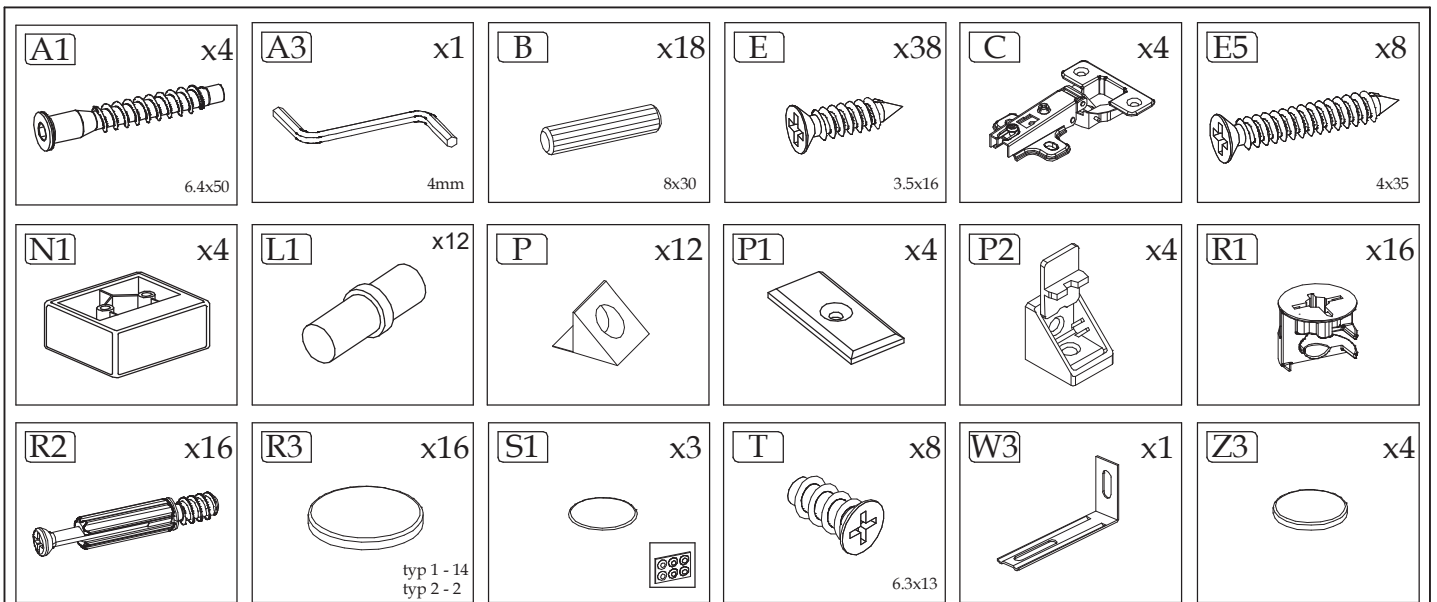


360 mm

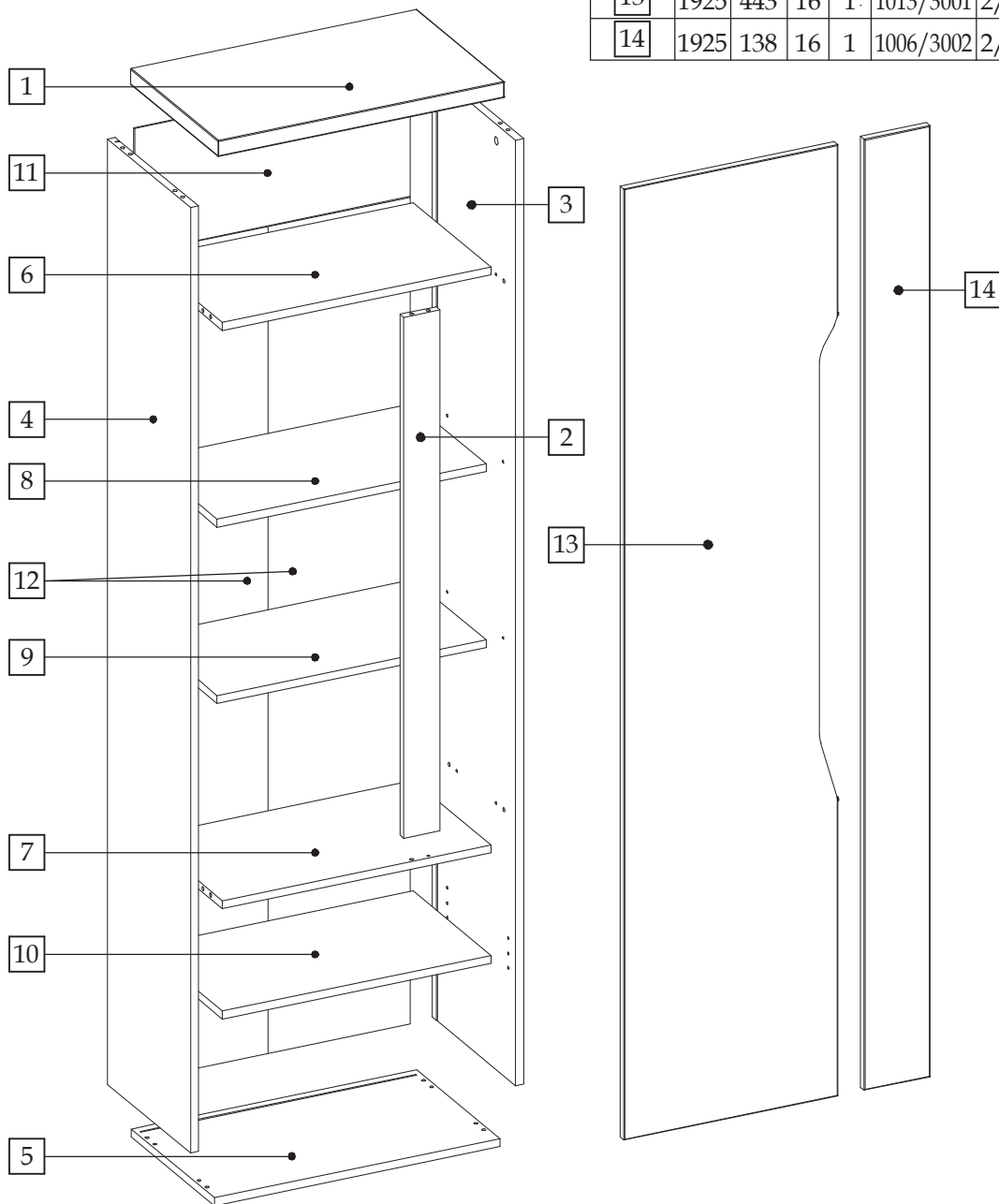
590 mm

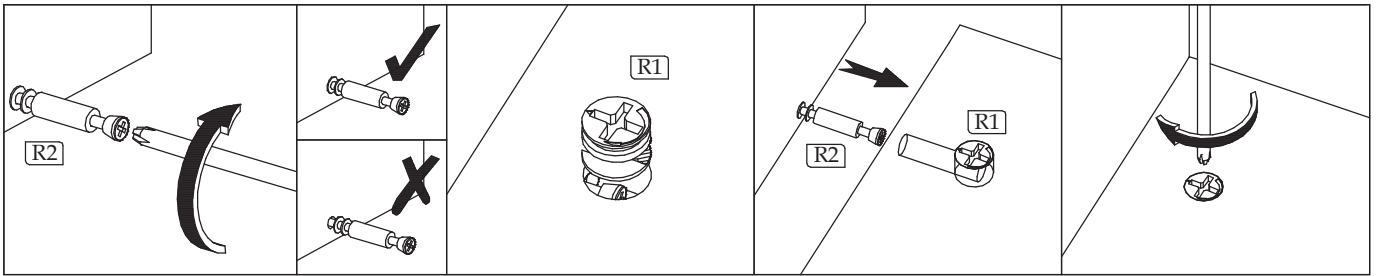




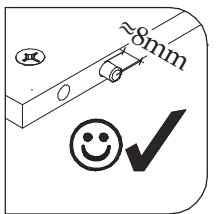
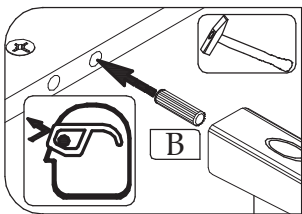
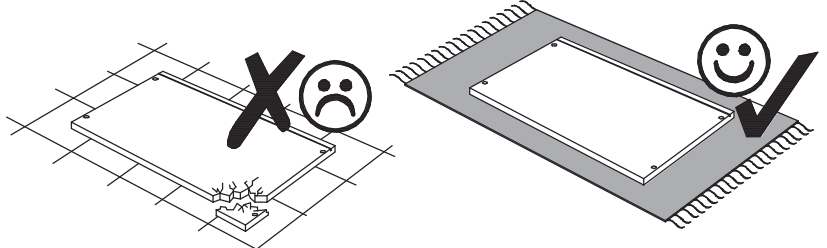
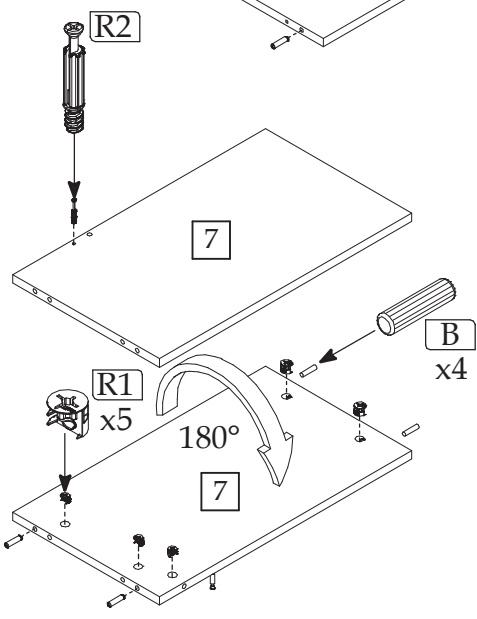
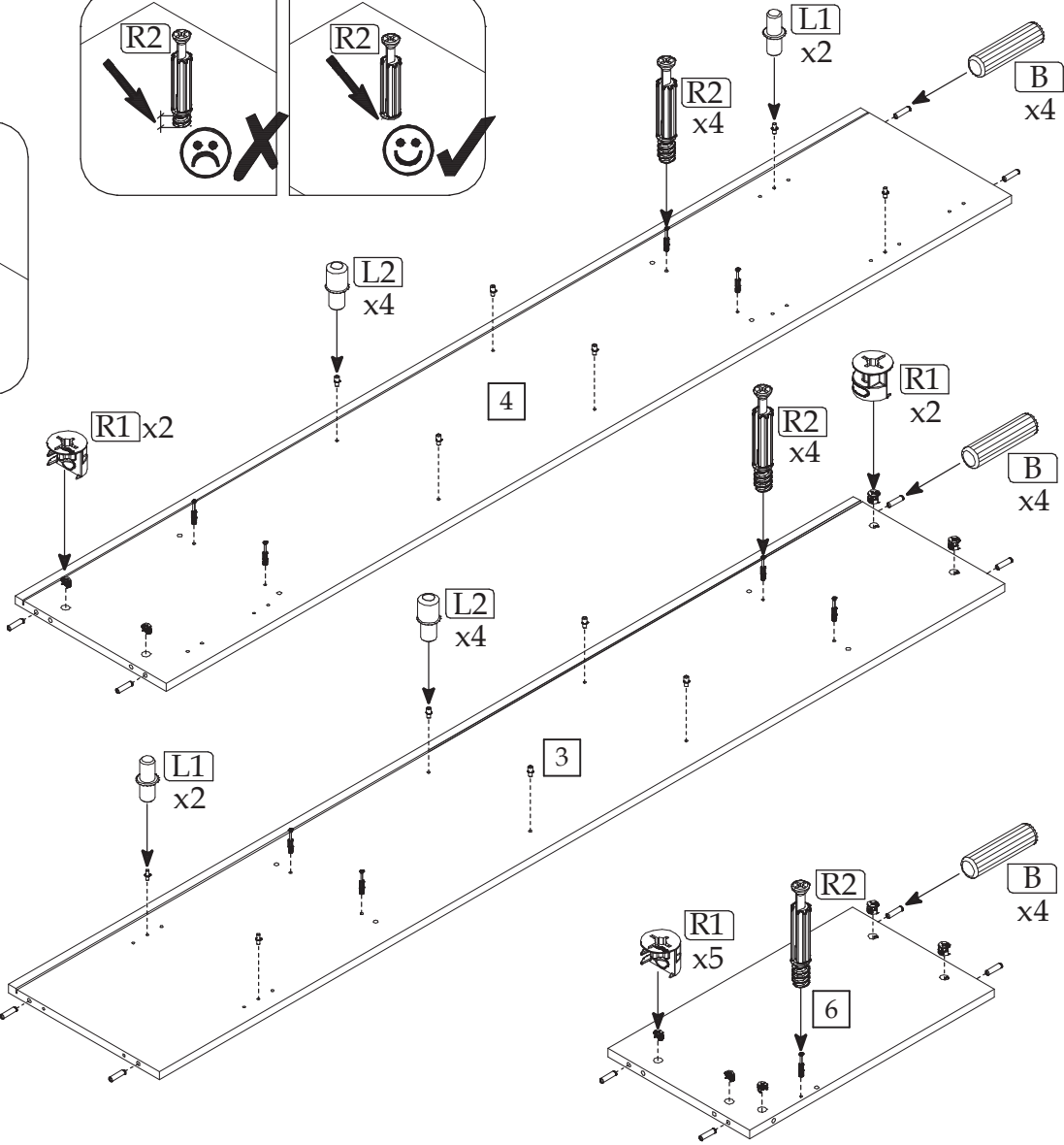
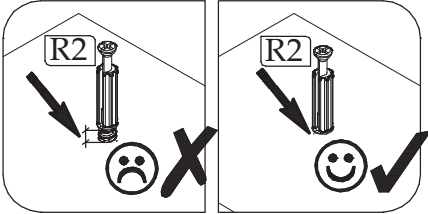
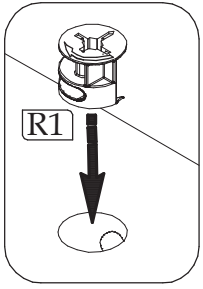


| Element symbol | Measurements | | | | Code | Paket |
|----------------|--------------|-------|----|---|-----------|-------|
| 1 | 590 | 360 | 32 | 1 | 1001/1005 | 1/2 |
| 2 | 1053 | 75 | 16 | 1 | 1041 | 2/2 |
| 3 | 1912 | 342 | 16 | 1 | 1002 | 1/2 |
| 4 | 1912 | 342 | 16 | 1 | 1003 | 1/2 |
| 5 | 588 | 342.5 | 16 | 1 | 1004/2004 | 1/2 |
| 6 | 554 | 321 | 16 | 1 | 1043 | 1/2 |
| 7 | 554 | 321 | 16 | 1 | 1042/2042 | 1/2 |
| 8 | 554 | 300 | 16 | 1 | N/A | 1/2 |
| 9 | 554 | 300 | 16 | 1 | N/A | 1/2 |
| 10 | 554 | 320 | 16 | 1 | N/A | 1/2 |
| 11 | 311 | 568 | 3 | 1 | 1040_v | 1/2 |
| 12 | 1614 | 284 | 3 | 2 | N/A | 1/2 |
| 13 | 1925 | 443 | 16 | 1 | 1013/3001 | 2/2 |
| 14 | 1925 | 138 | 16 | 1 | 1006/3002 | 2/2 |

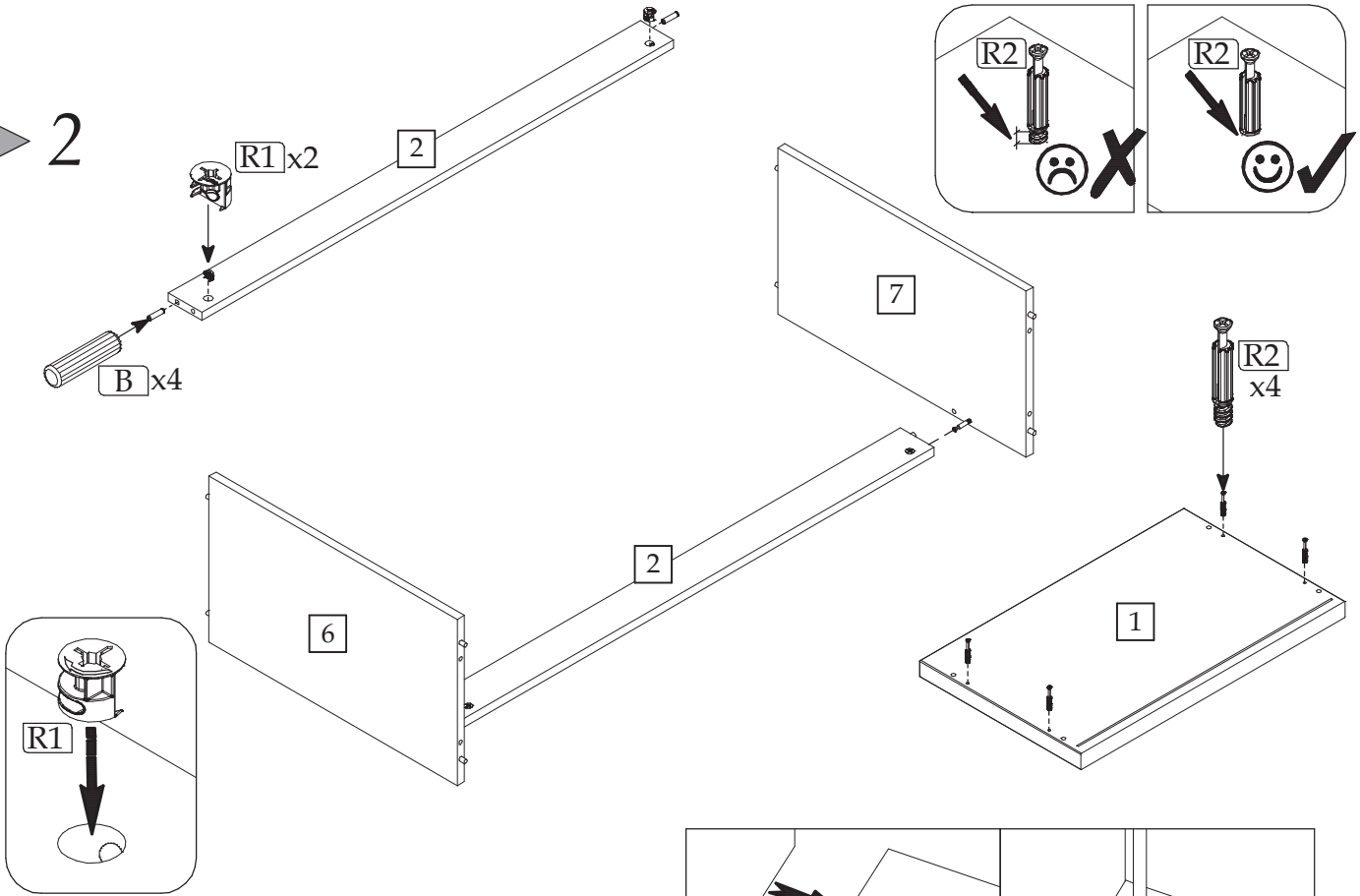




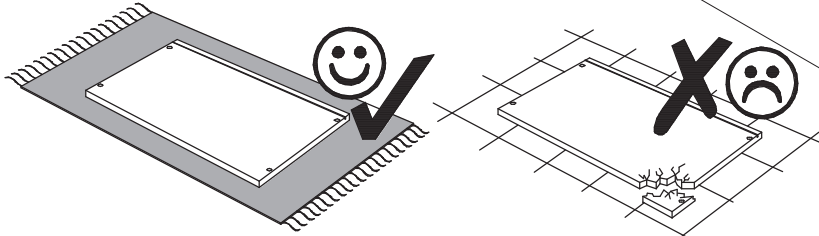
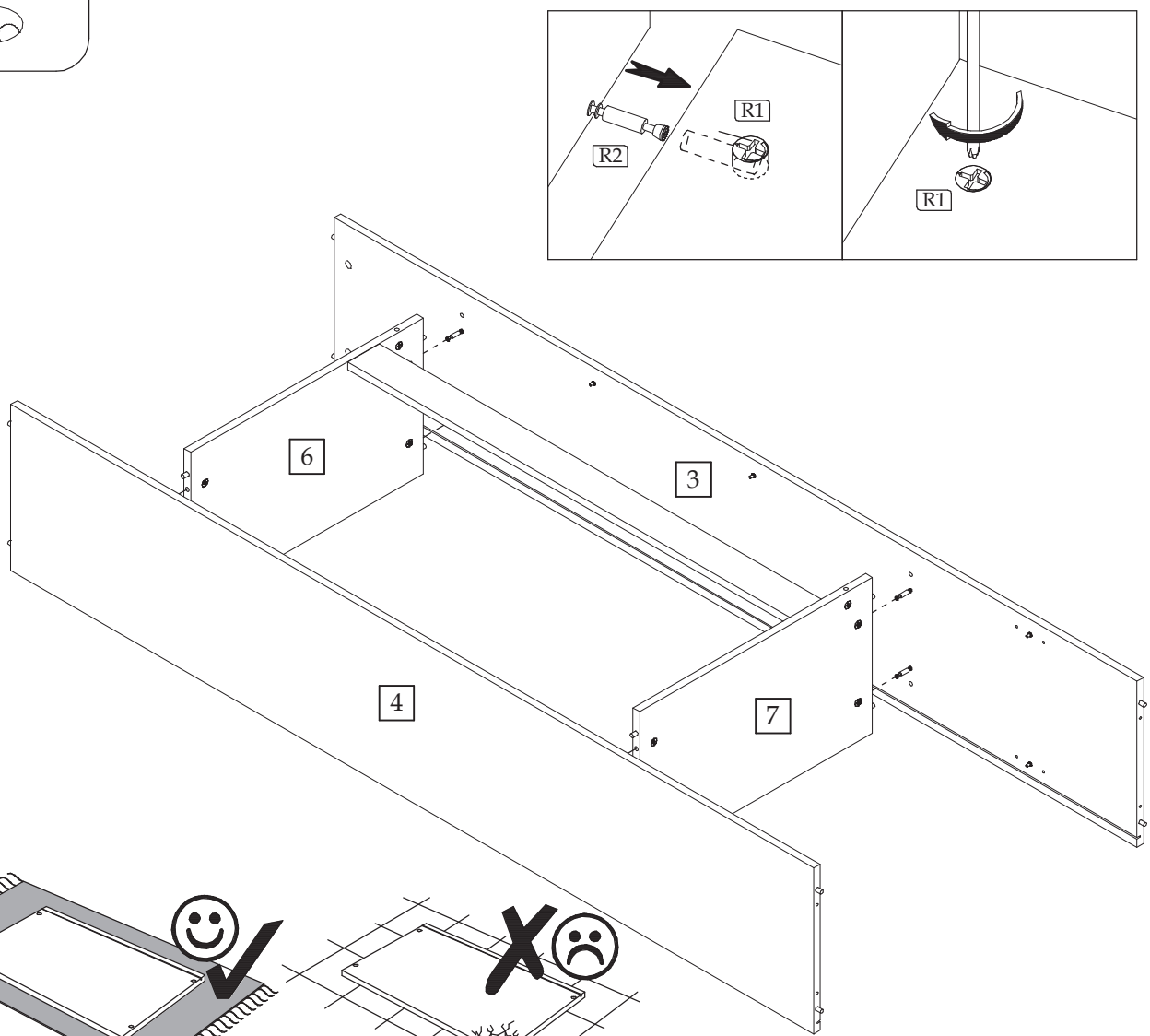
1



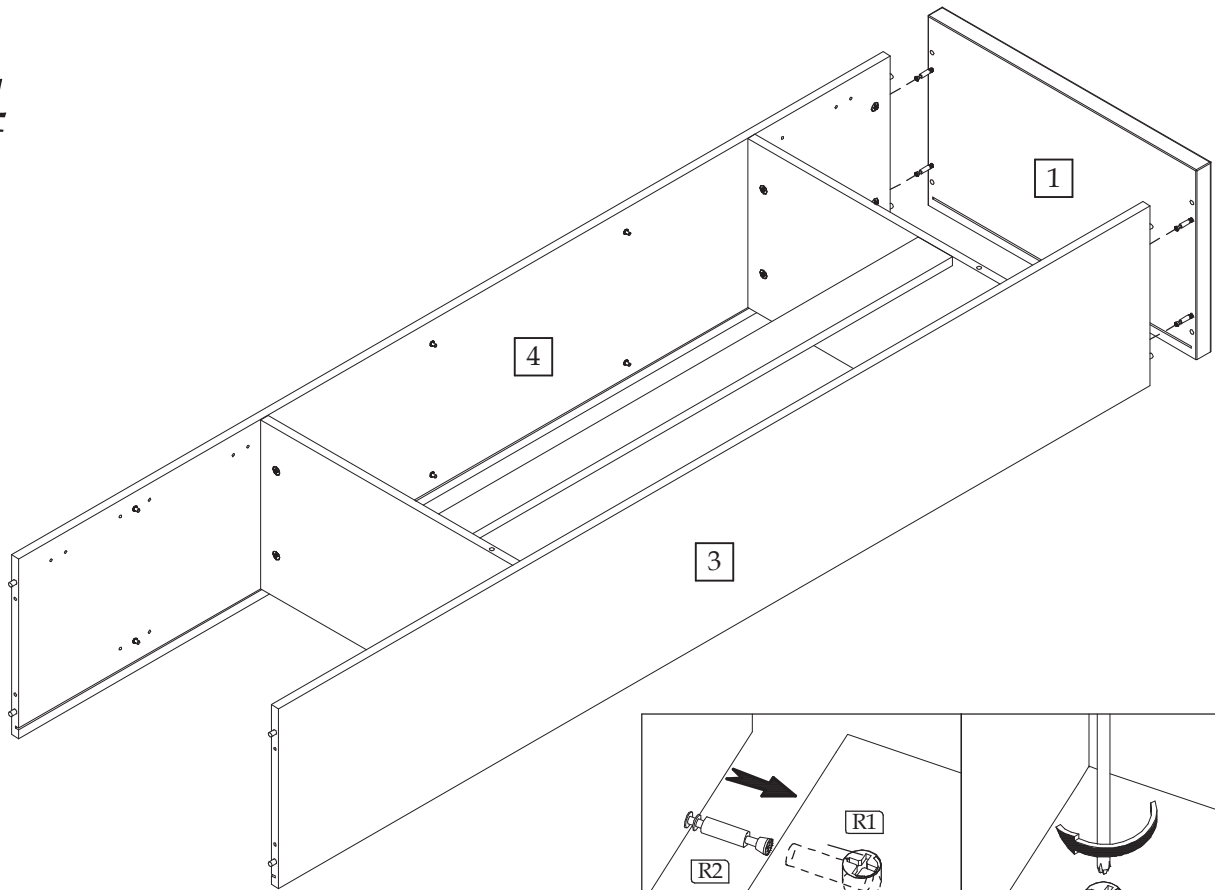
▶ 2



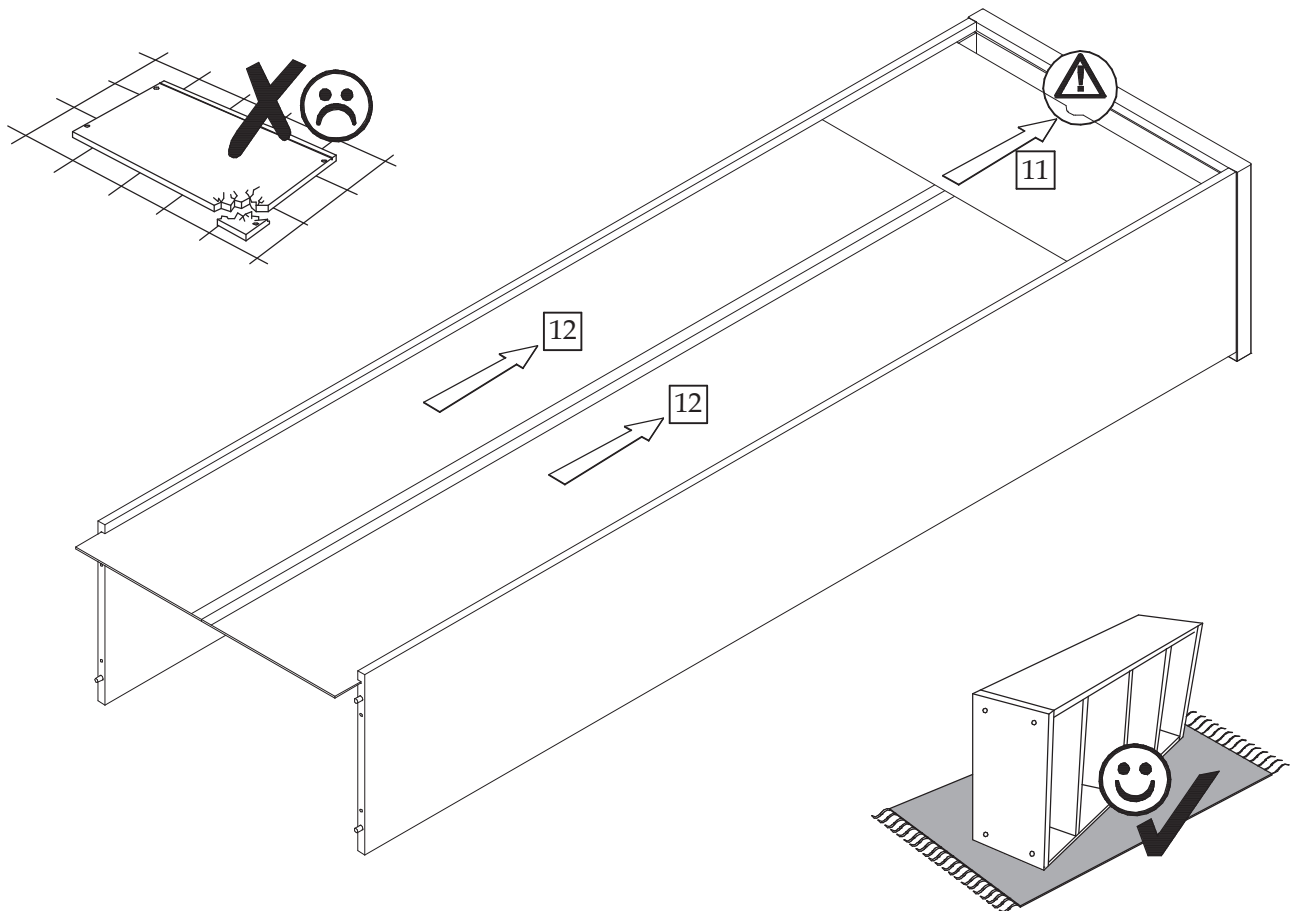
▶ 3



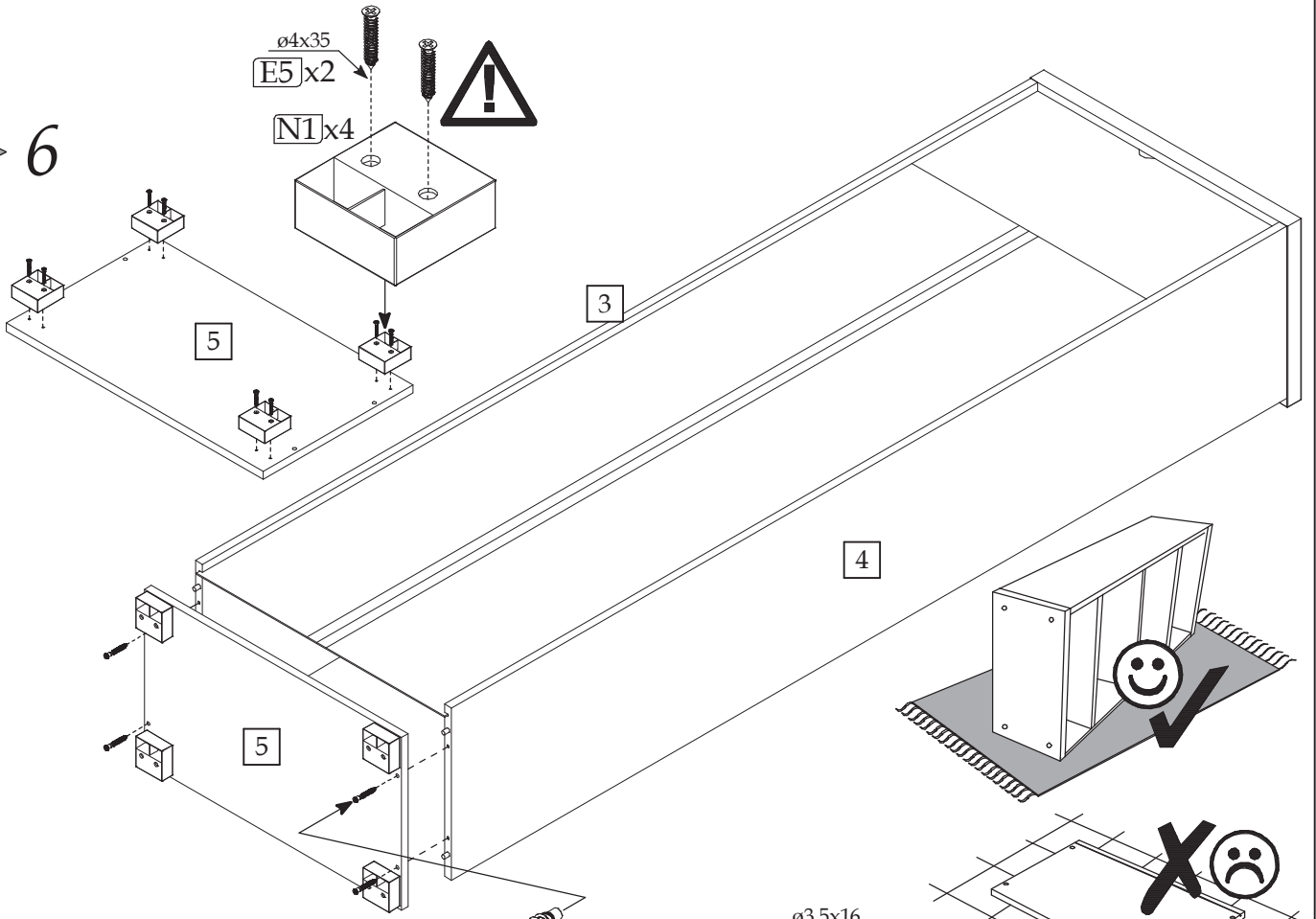
▶ 4



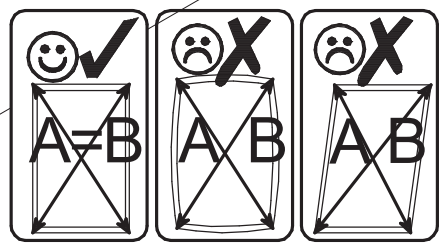
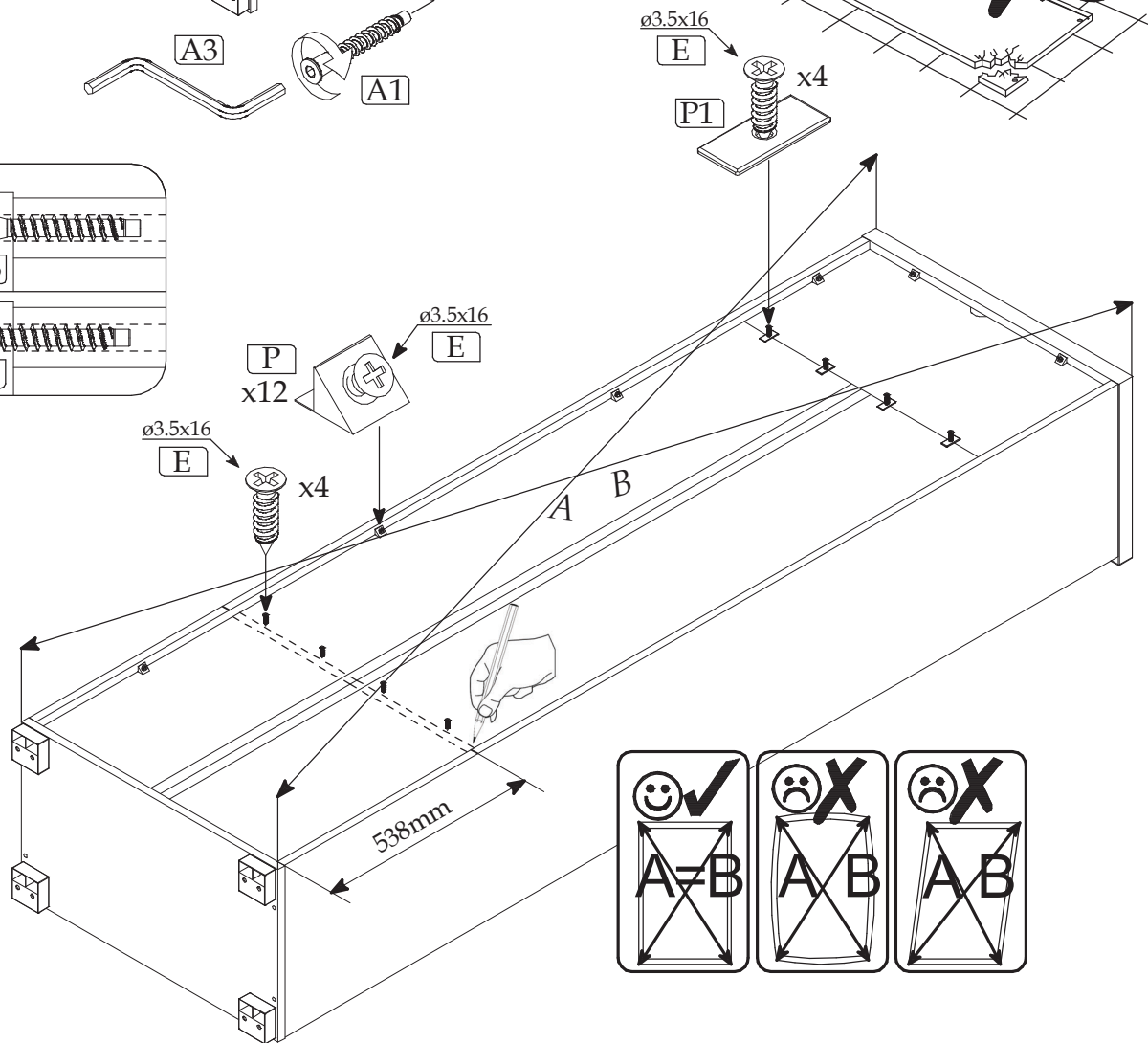
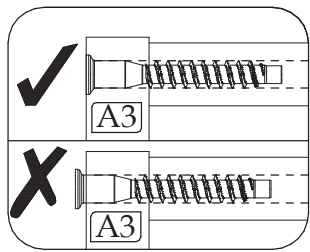
▶ 5



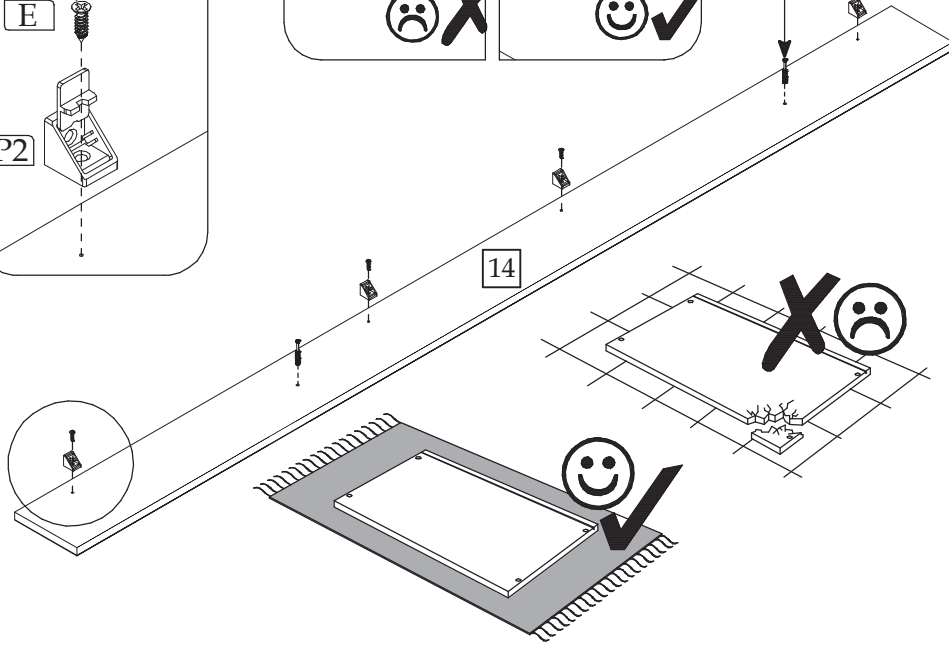
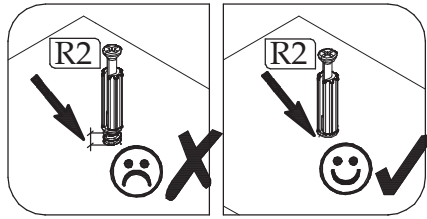
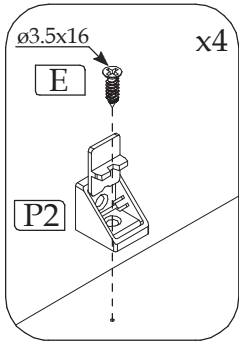
▶ 6



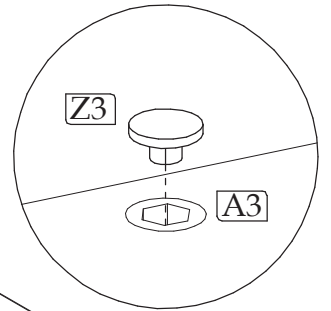
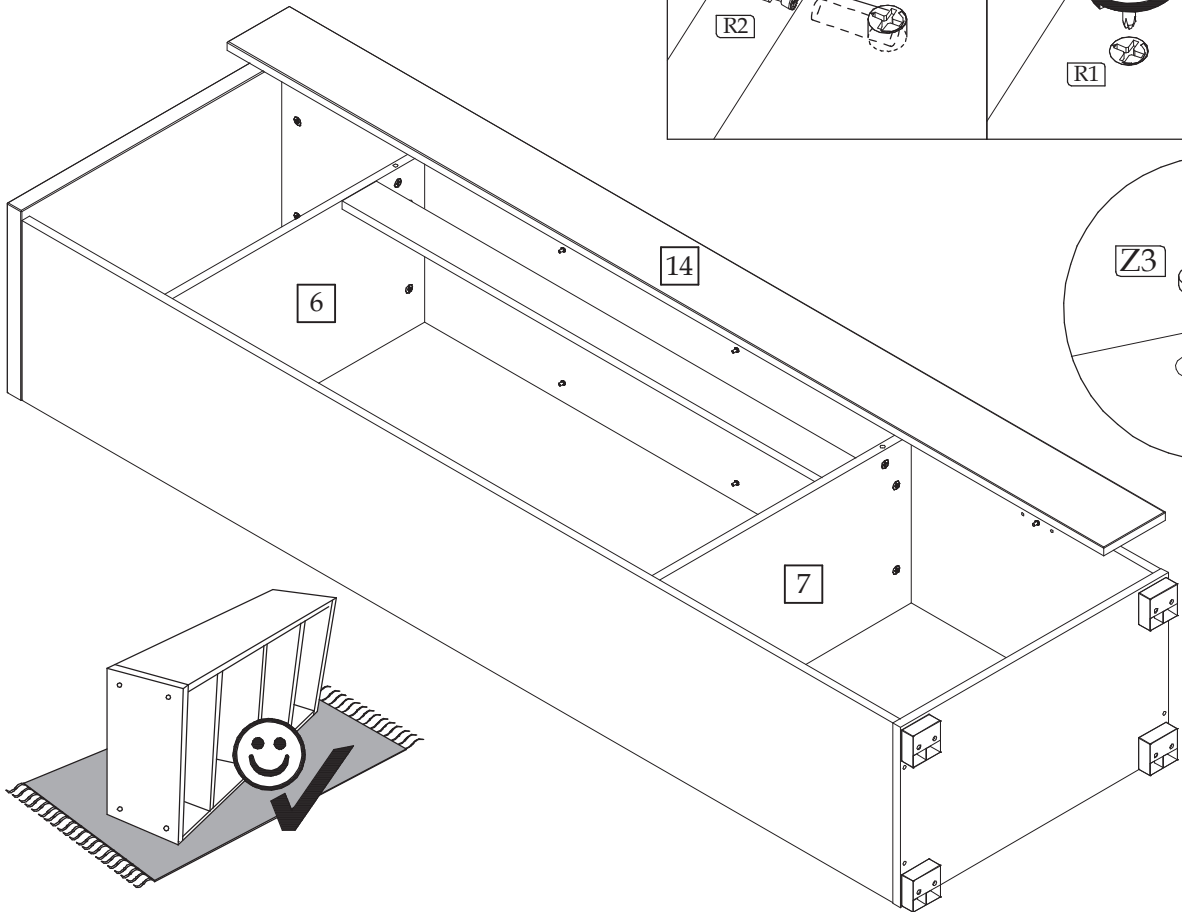
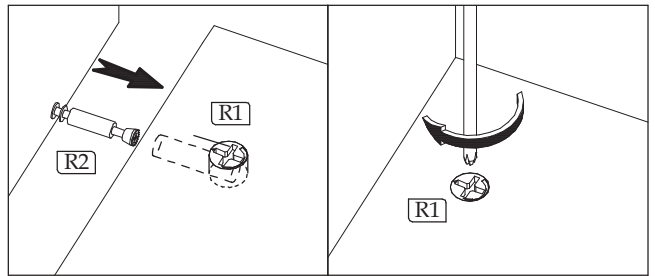
▶ 7



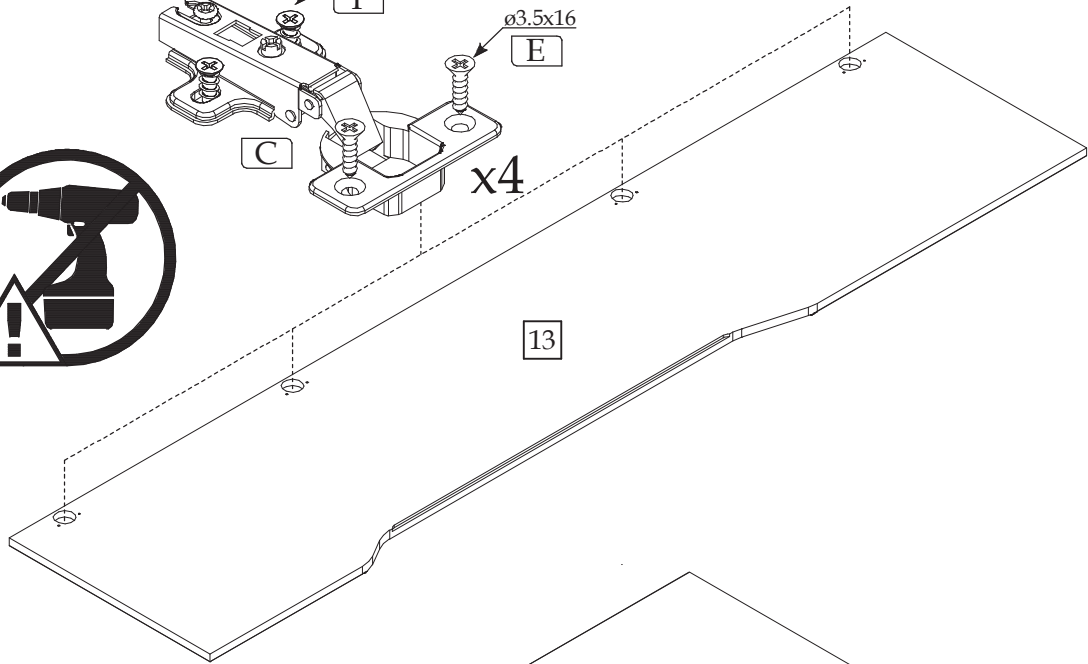
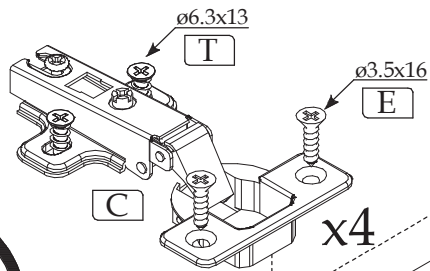
▶ 8



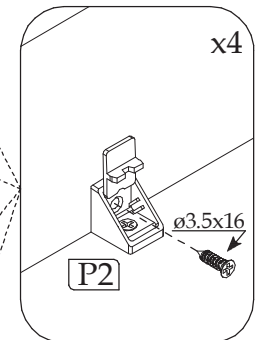
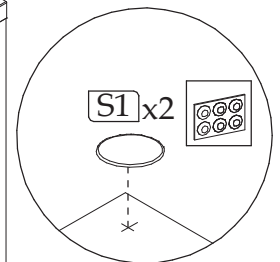
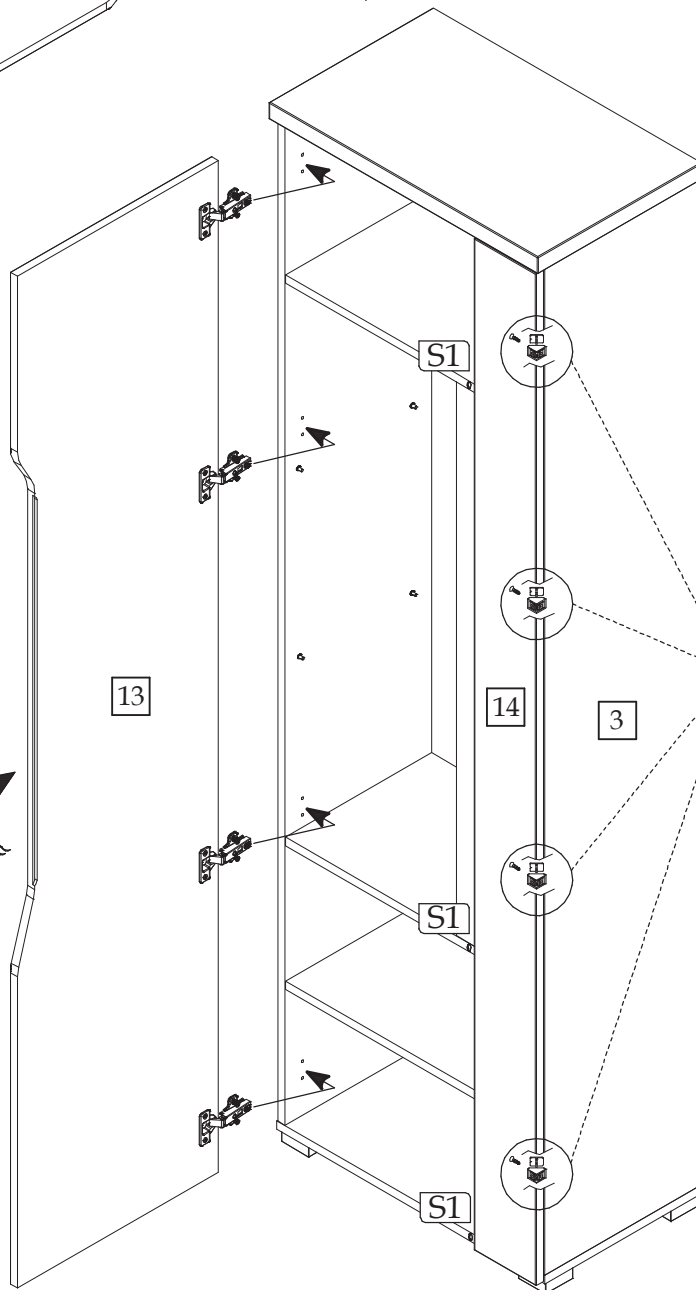
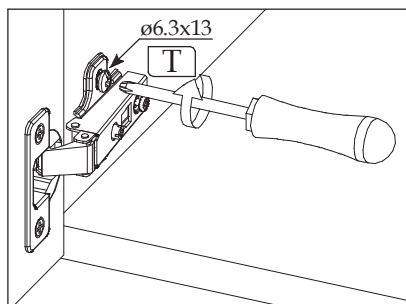
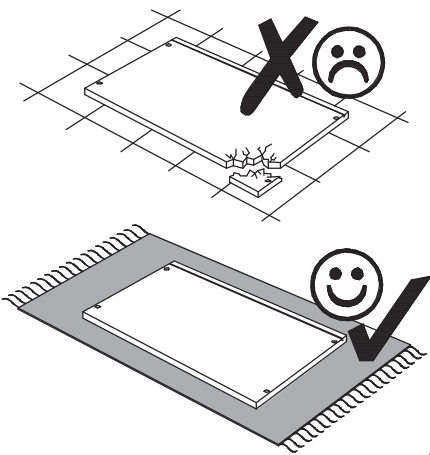
▶ 9



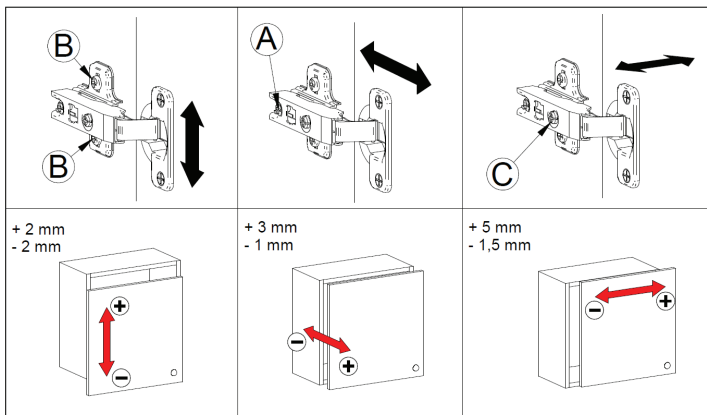
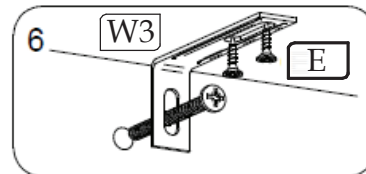
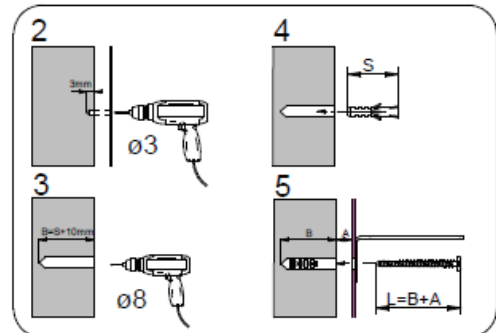
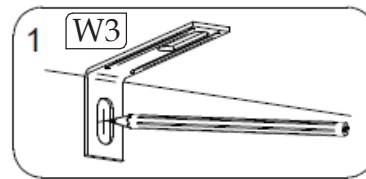
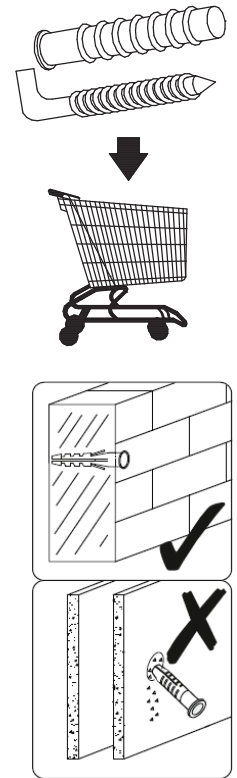
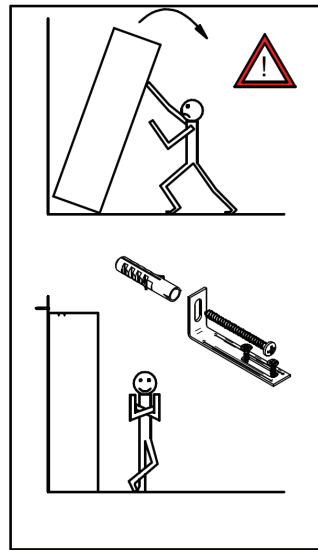
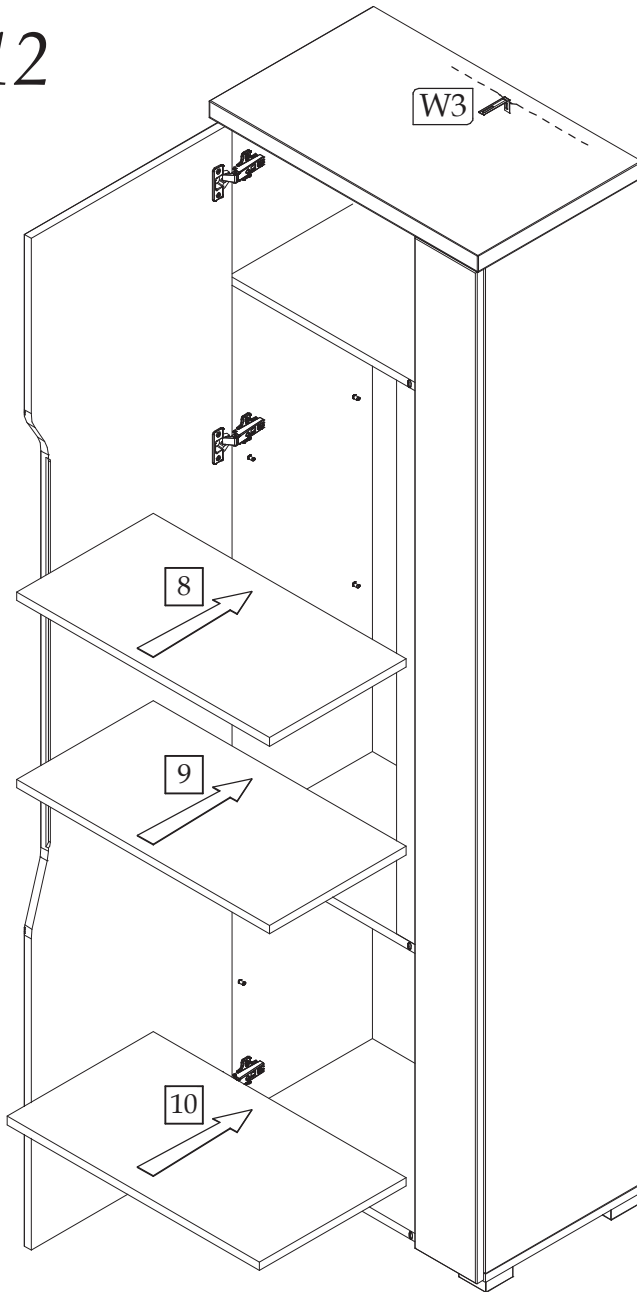
▶ 10



▶ 11



▶ 12



▶ 13

