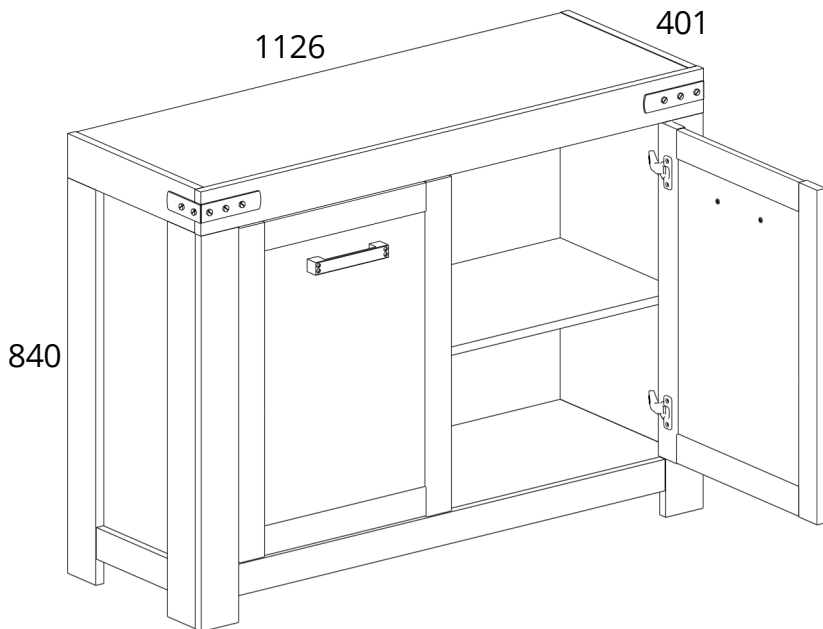


Instrukcja montażu mebli

«MORTIZ»

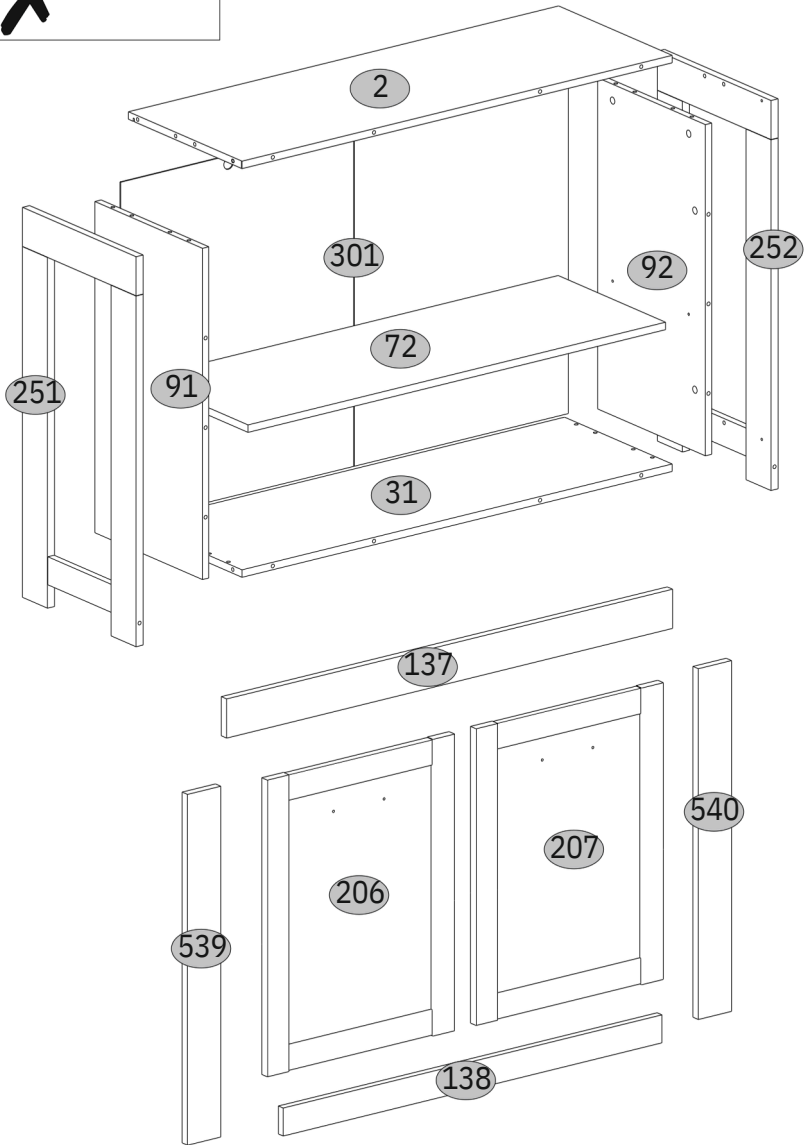
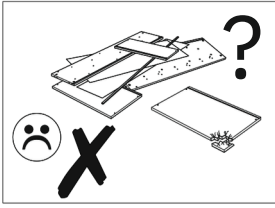
Sideboard 2D
Komoda 2D






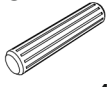
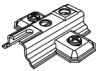
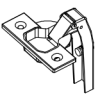
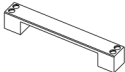
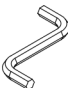
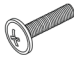




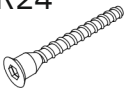

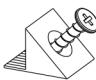


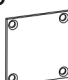
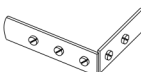
Production date
Data produkcji

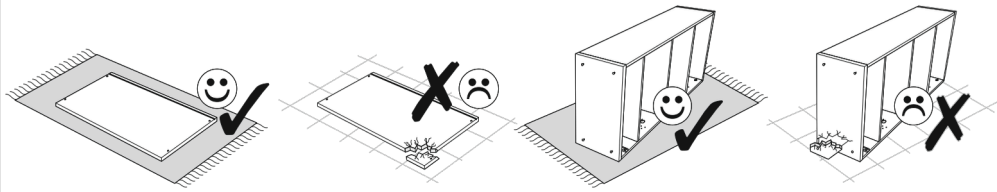
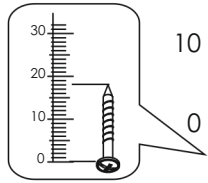
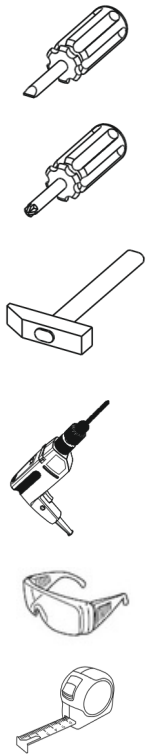
Stamp of Quality Department
Pieczęć Działu Jakości

№	L, mm	B, mm	H, mm	Q	№ pack
2	1088	382	16	1	2/2
31	1088	362	16	1	2/2
72	1056	360	22	1	2/2
91	710	362	16	1	1/2
92	710	3 62	16	1	1/2
137	1126	84	18	1	2/2
138	957	60	16	1	2/2
206	636	474	19	1	1/2
207	636	474	19	1	1/2
251	836	382	18	1	1/2
252	836	382	18	1	1/2
301	732	1082	2,5	1	1/2
539	752	84	18	1	2/2
540	752	84	18	1	2/2



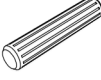


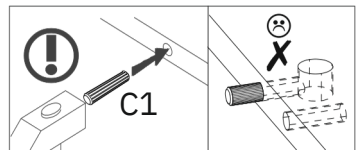
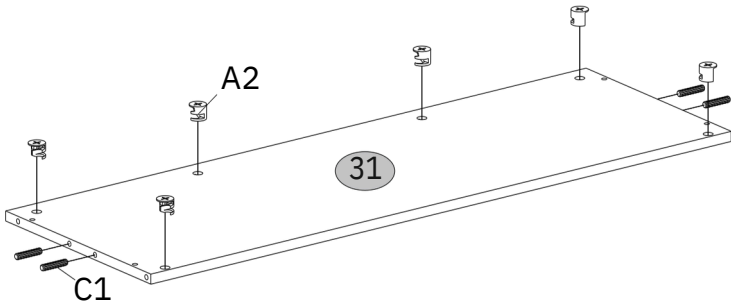
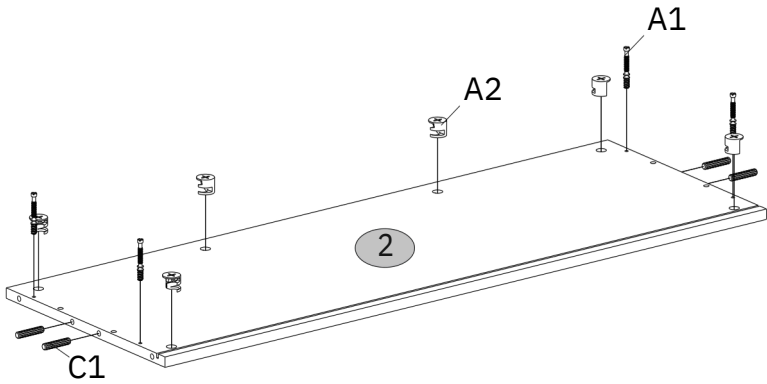
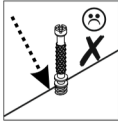
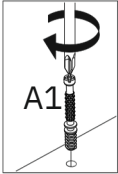
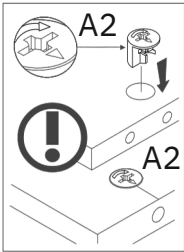


A1  7x34 22	A2  Ø15x12 22	B5  10x50 2
CC1  8x35 4202	D1  4	E2  4
H48  2	I  S4 1	M5  M4x25 4
N1  6	P5  4	R3  3x20 16
R23  6,3x13 8	R24  7x50 4	R102  3,5x16 28
S1  4	S5  Ø18 4	U.1  45x35x15 2
U5  36x36 4	V8  2	


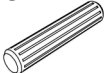



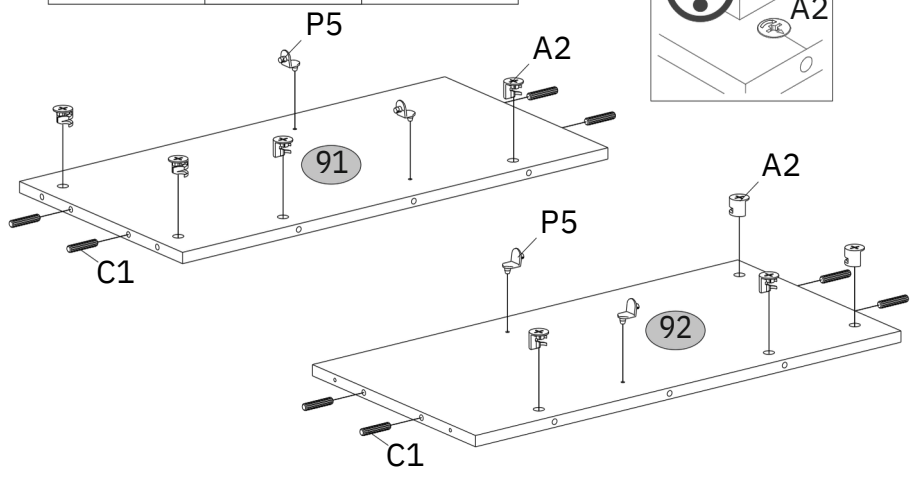
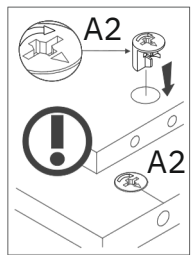
1

A1	A2	CC1
		
7x34	4 Ø15x12	12 8x35
		408





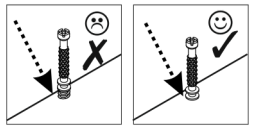
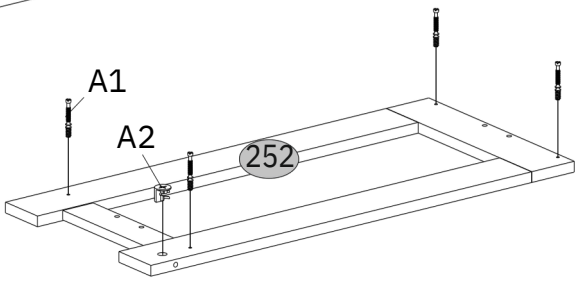
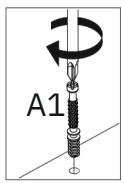
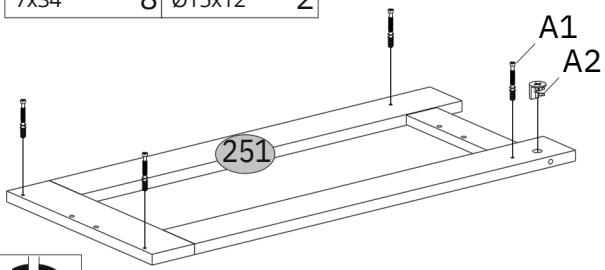
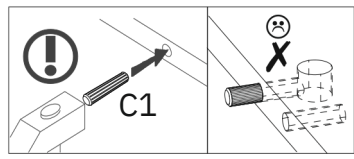
2

A2	CC1	P5
		
Ø15x12	8 8x35	408
		4



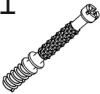
3

A1	A2
	
7x34	8 Ø15x12
	2



4

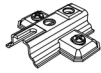
A1



7x34

10

D1



4

R23



6,3x13

8

R102



3,5x16

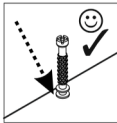
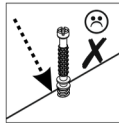
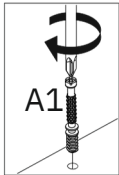
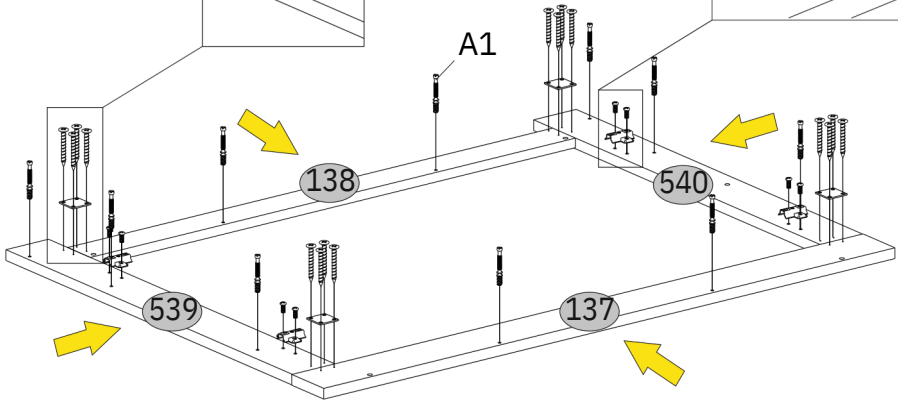
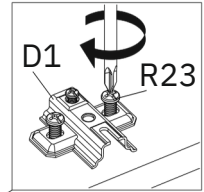
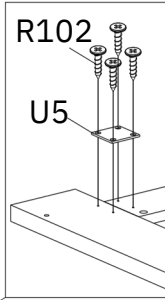
16

U5


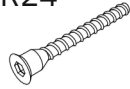


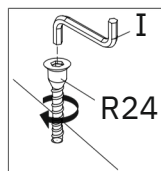
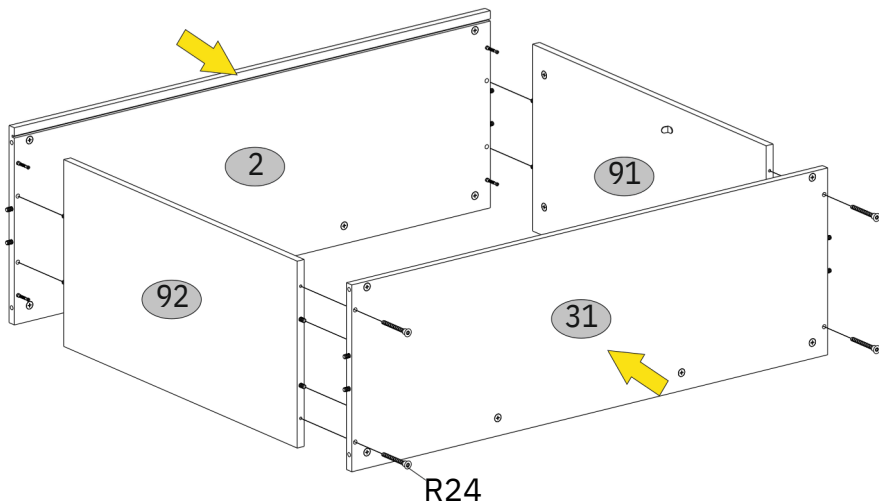
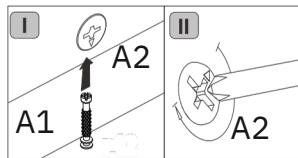
36x36

4





5

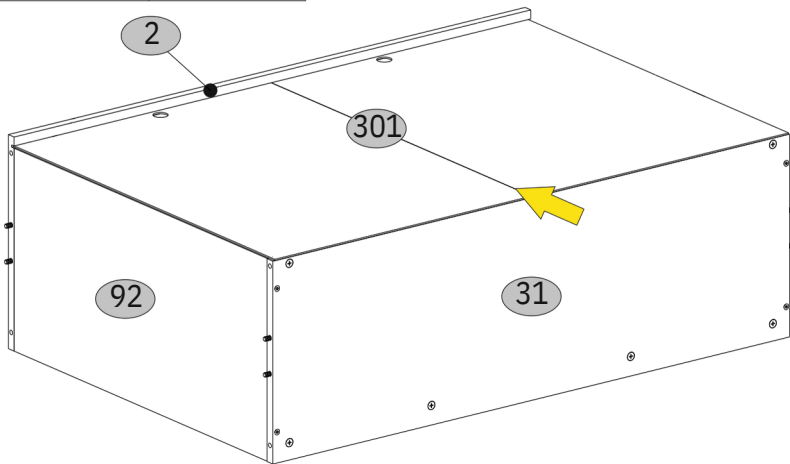
I		R24	
S4	1	7x50	4



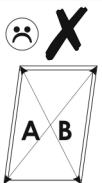
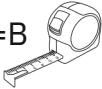
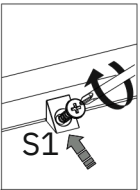

6

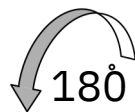
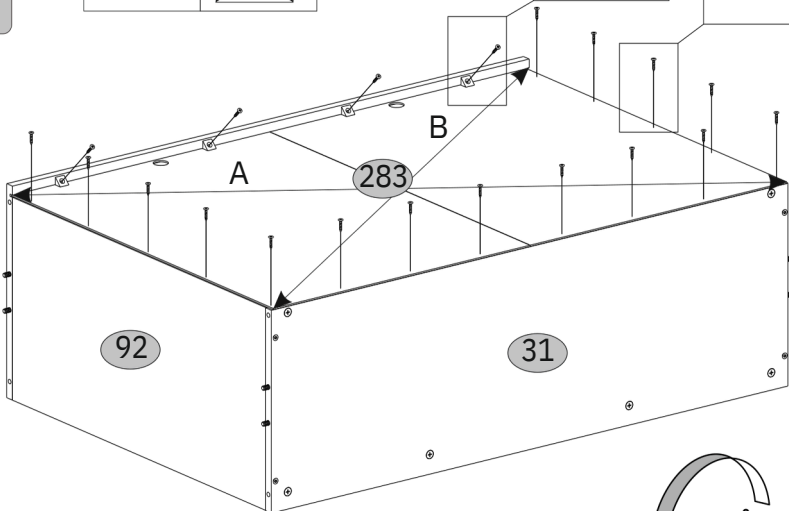
R3	S1
	
3x20	16
16	4

I

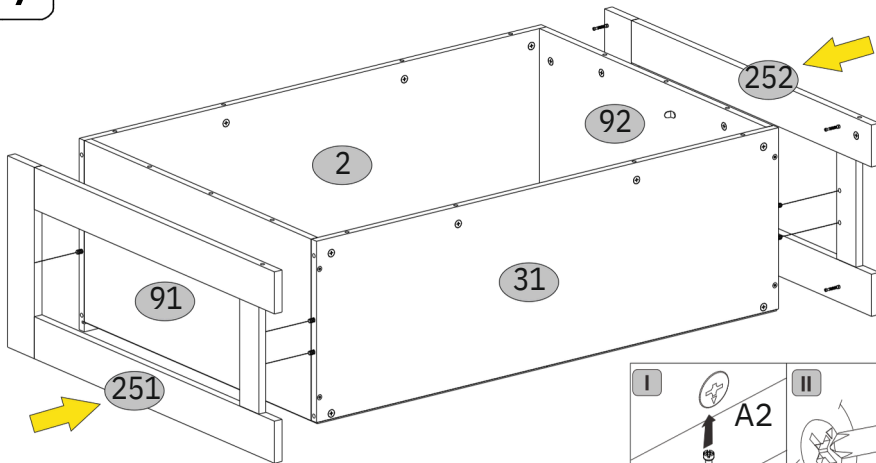


II

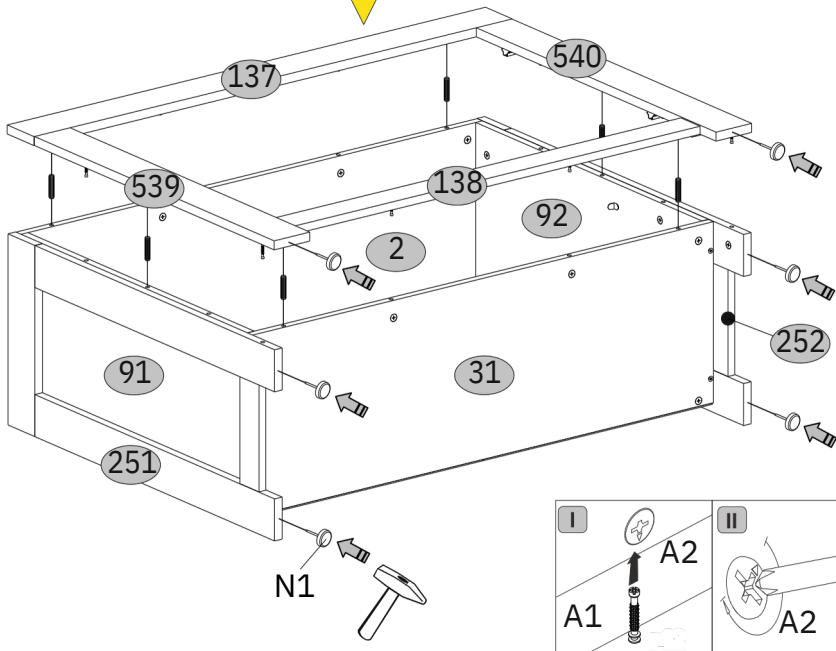
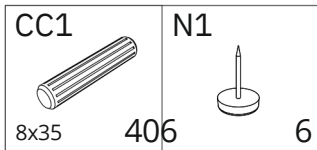
A=B 90		A=B 		
-----------	---	---	---	---



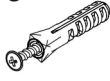


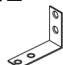
7

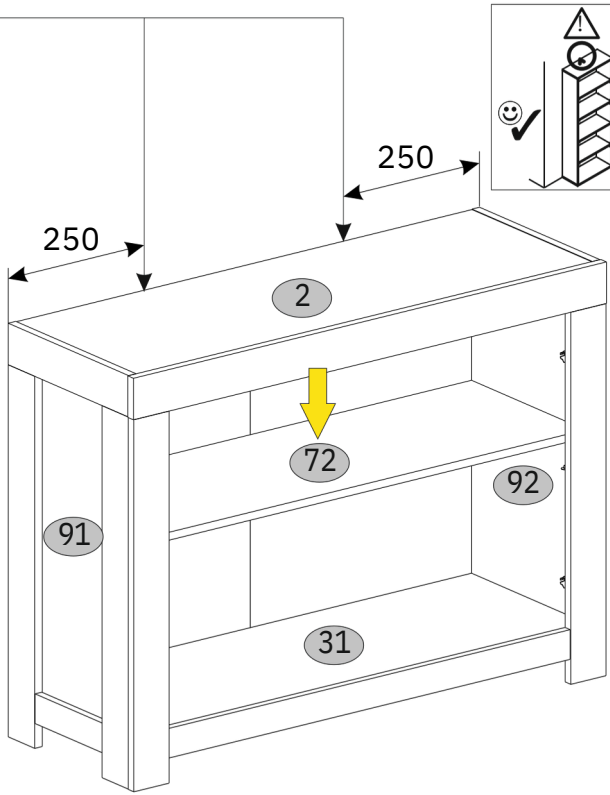
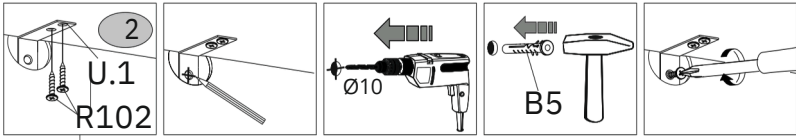




8

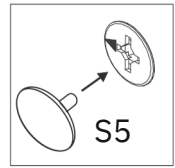


9

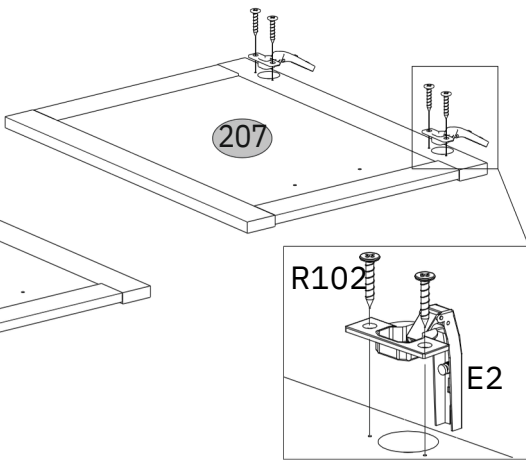
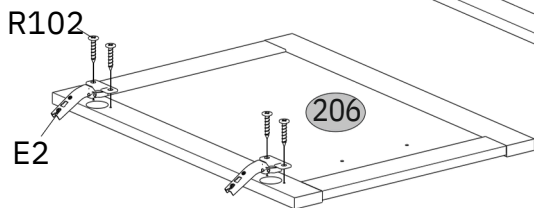
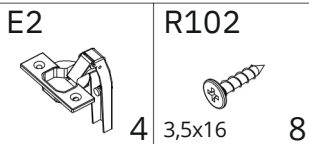
B5  10x50	R102  2 3,5x16	S5  4 Ø18	U.1  4 45x35x15	2
---	--	---	---	----------



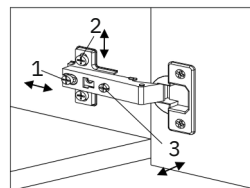
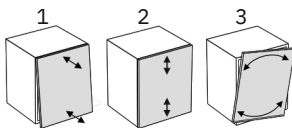
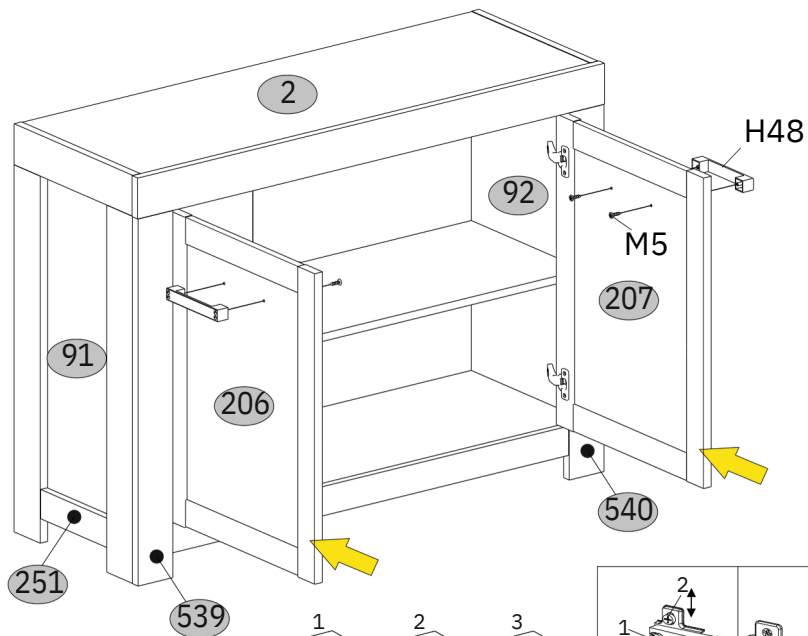
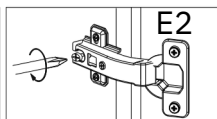
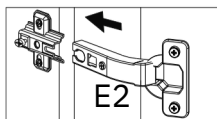
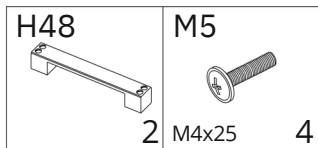
72	31		max. 5 kg
2			max. 15 kg



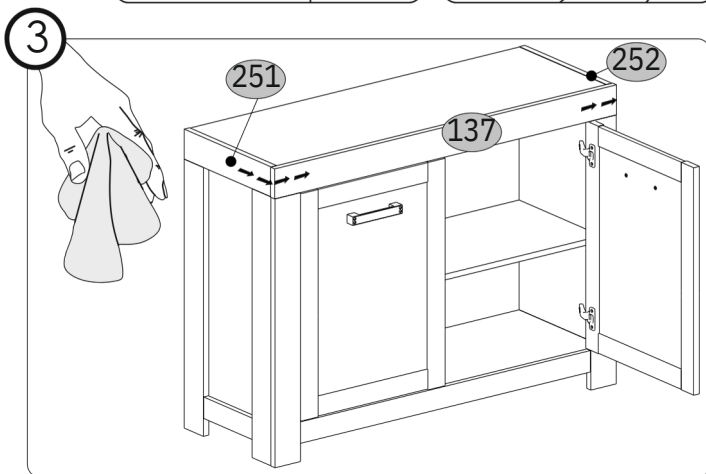
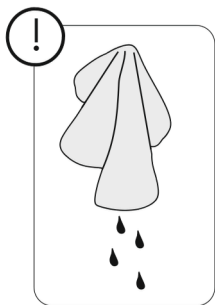
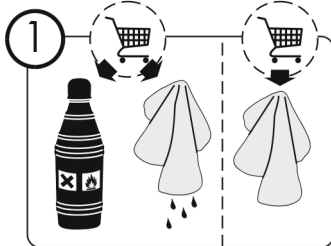
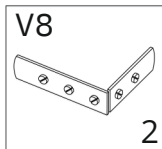
10



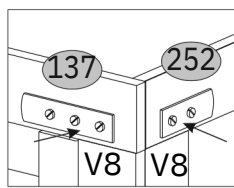
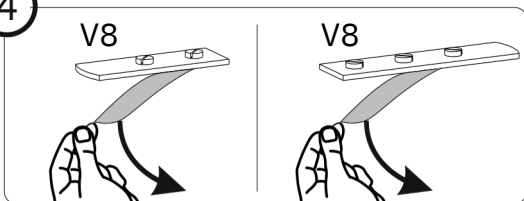
11



12



4



5

