

EVATON XJH-2402

A x1



M4

B x10



M8

C x12



M6*12

D x2



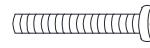
M6*20

E x20



M6*30

F x6



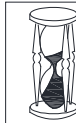
M6*40

G x8



M7*48

H x2



50 MIN



I x2

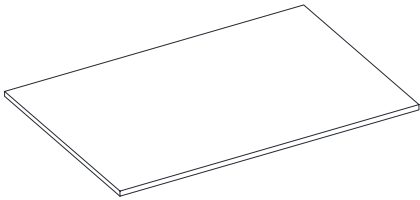


J x4

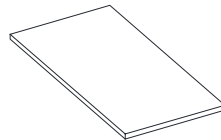


φ20

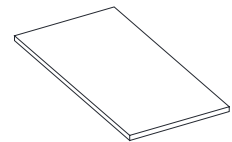
① x1



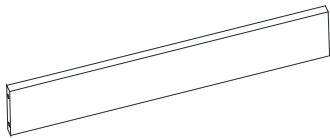
② x1



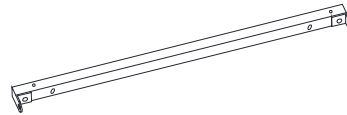
③ x2



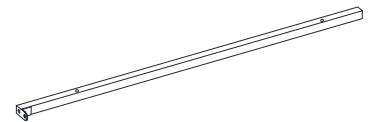
④ x2



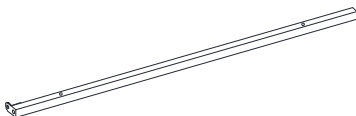
⑤ x1



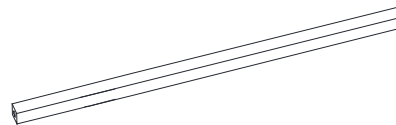
⑥ x1



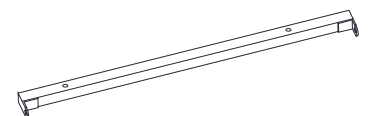
⑦ x1



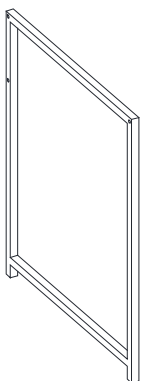
⑧ x2



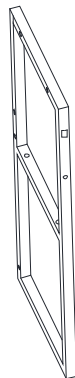
⑨ x3



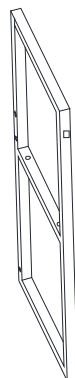
⑩ x1



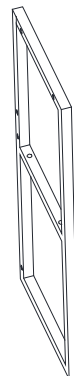
⑪ x1



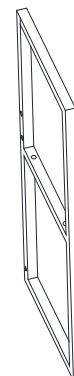
⑫ x1



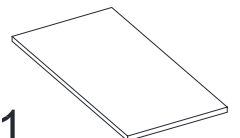
⑬ x1



⑰ x1



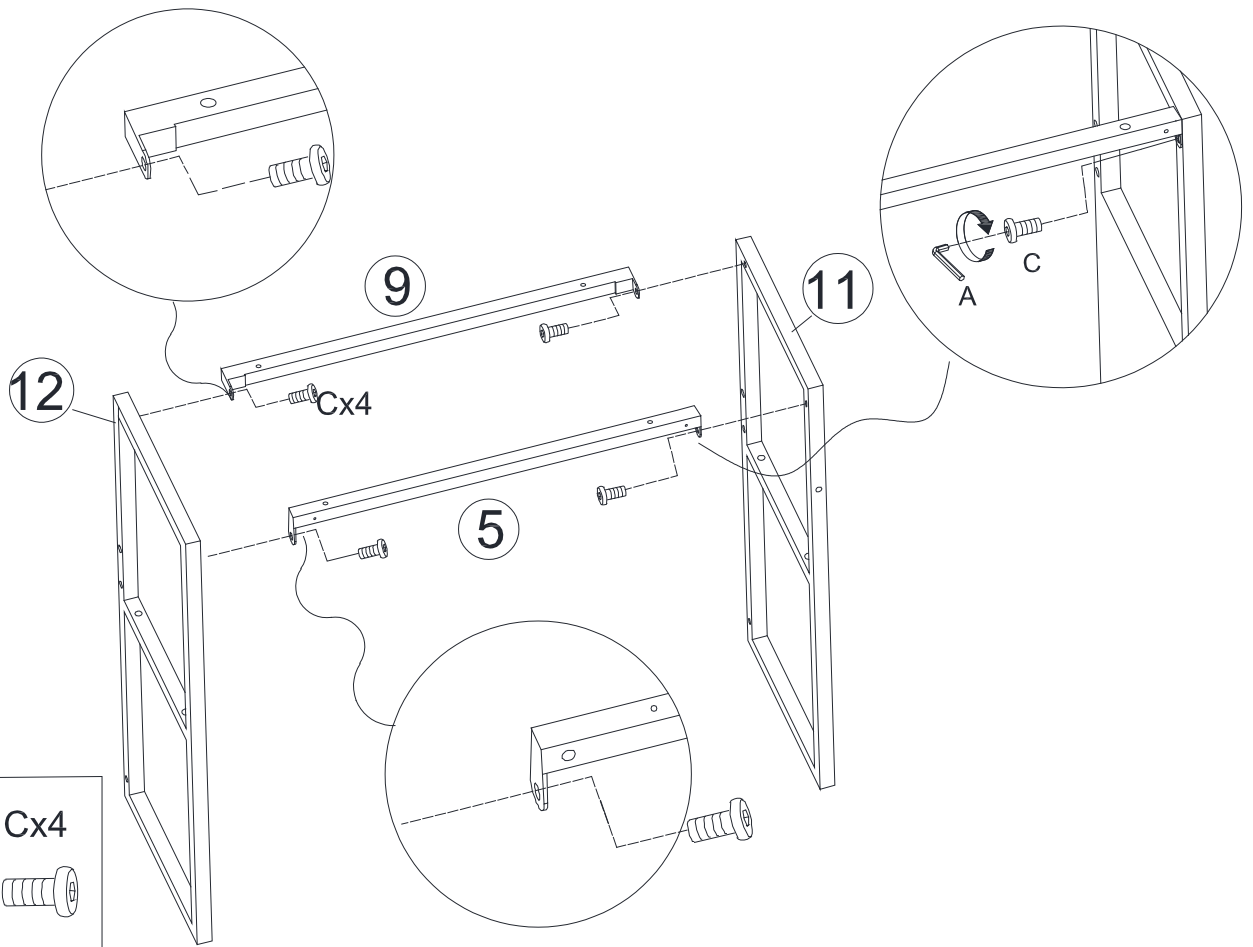
⑯ x1



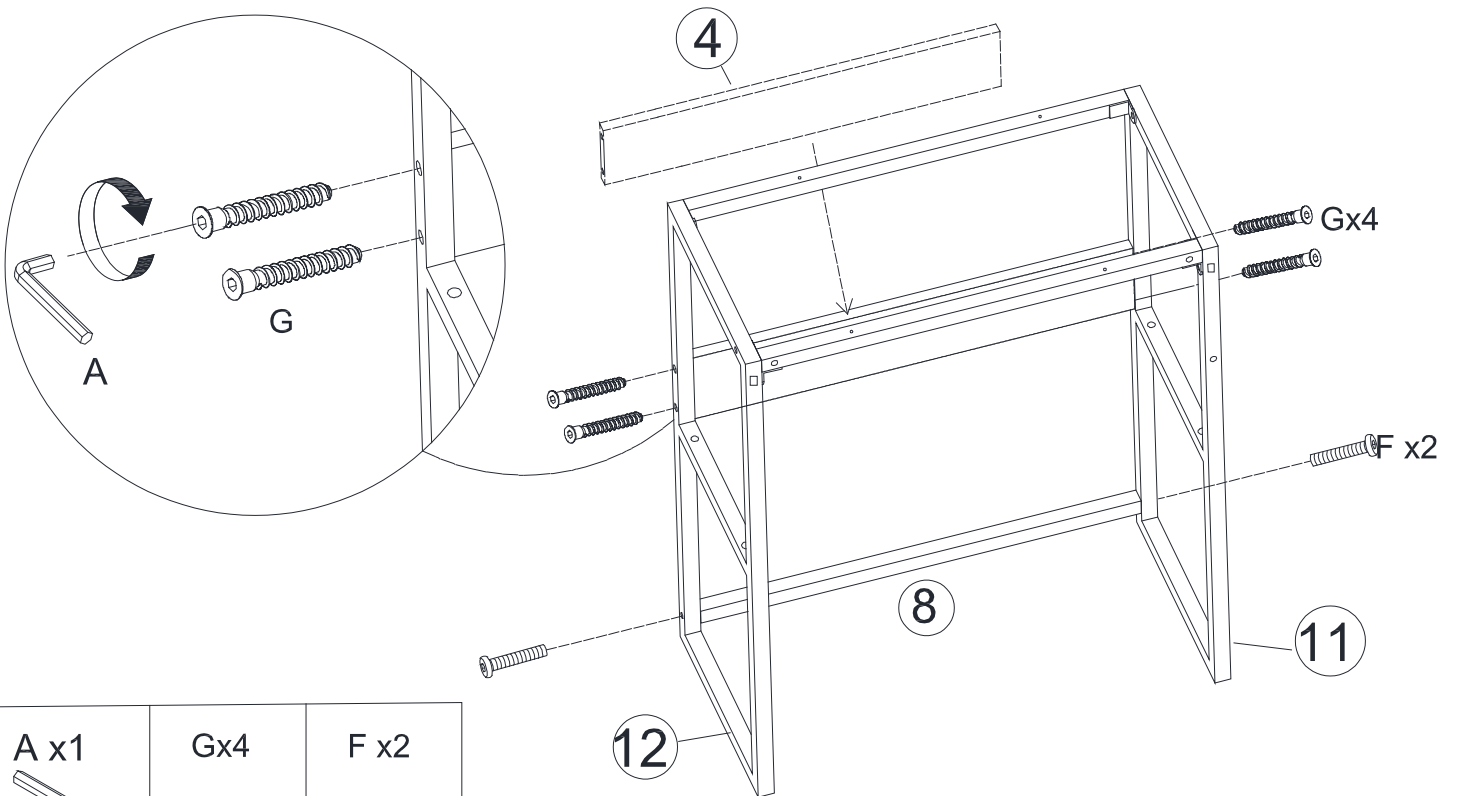
⑭ x2



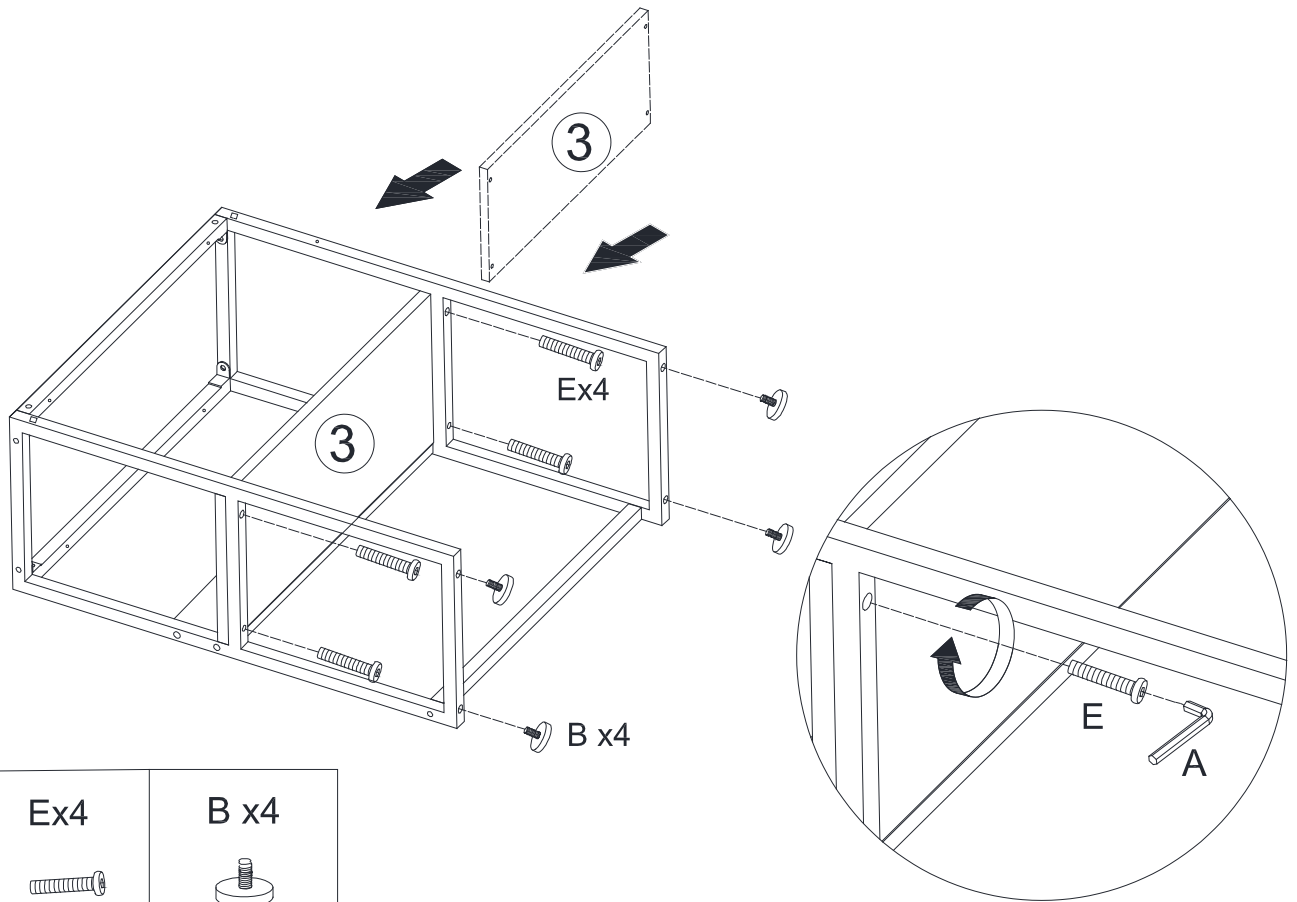
1



2



3



A x1



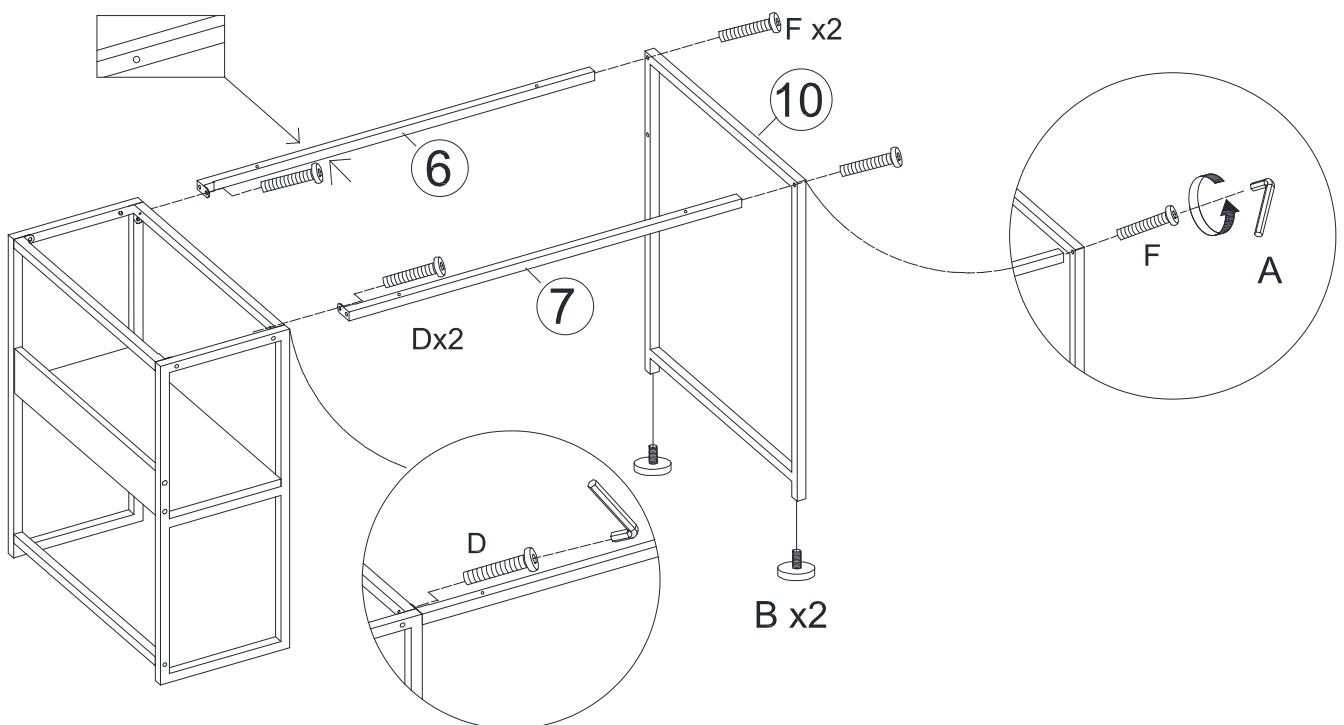
Ex4



B x4



4



A x1



Dx2



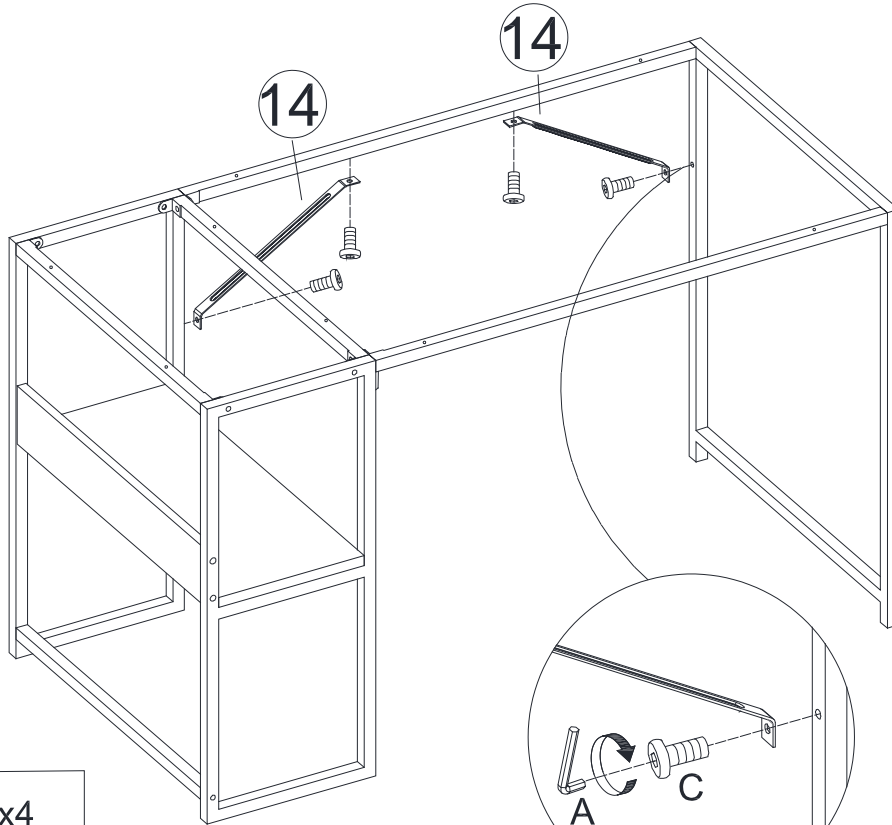
B x2



F x2



5



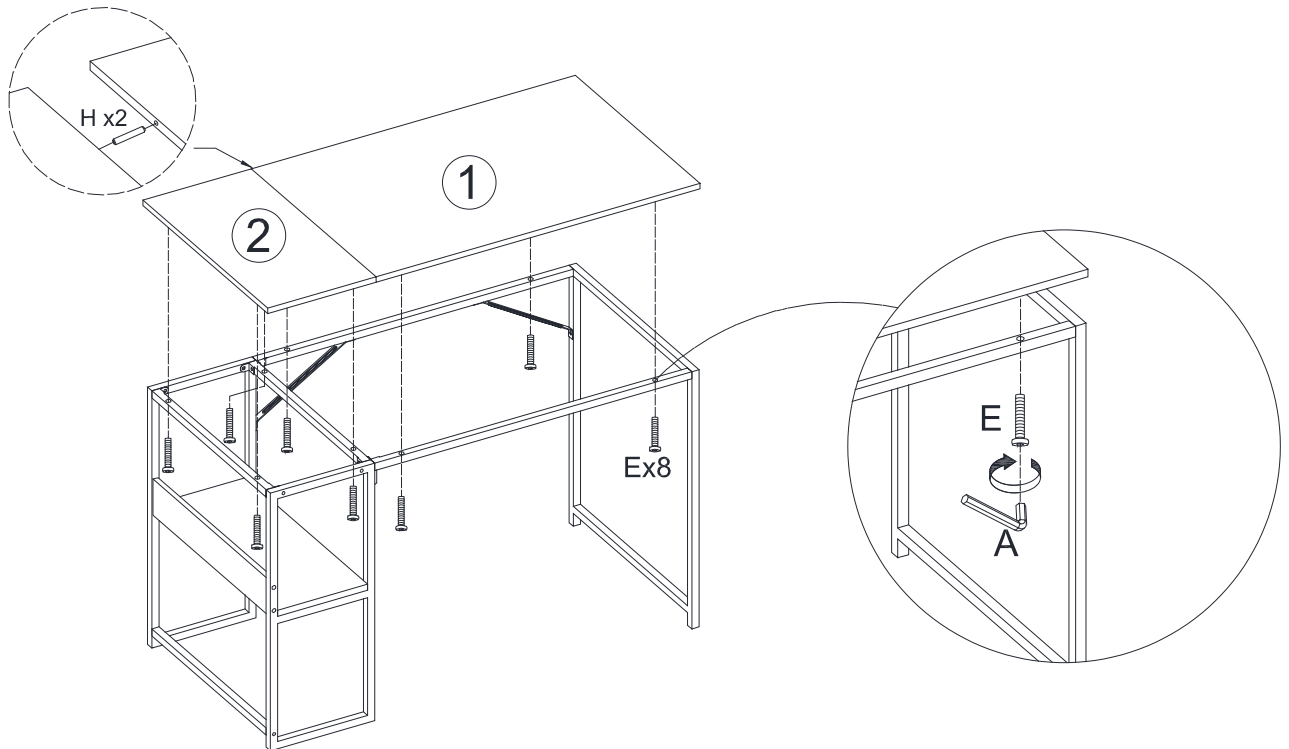
A x1



Cx4



6



H x2



Ex8

E



A

A x1



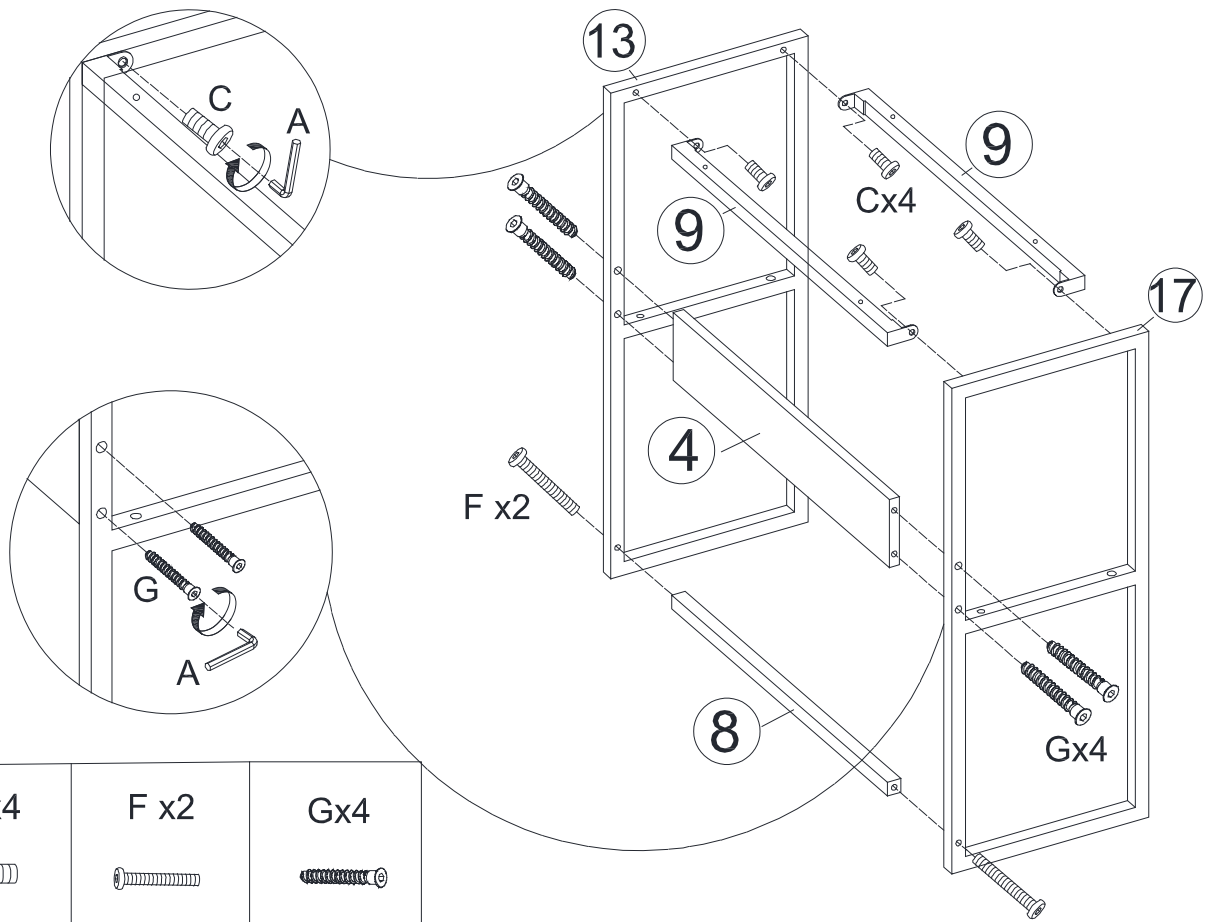
Ex8



H x2



7



A x1



Cx4



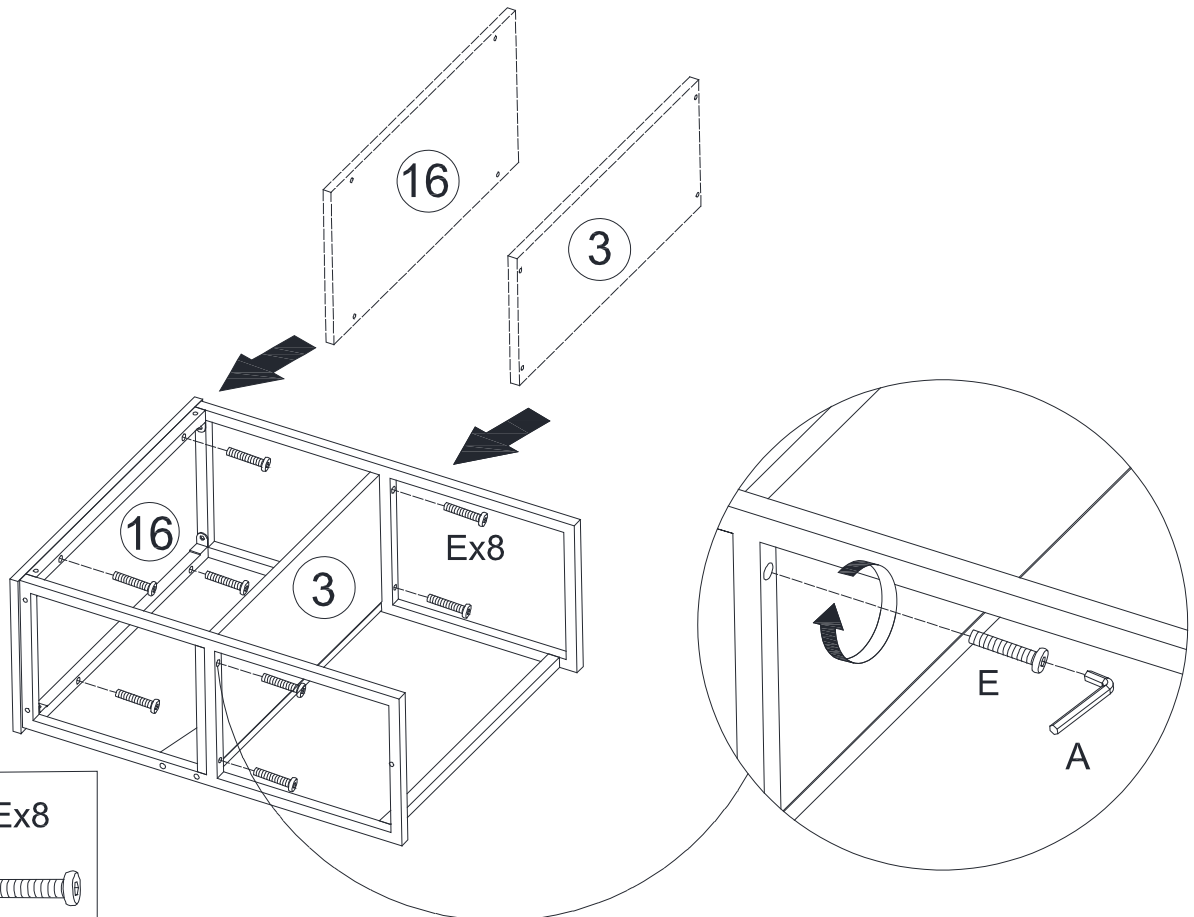
F x2



Gx4



8



A x1

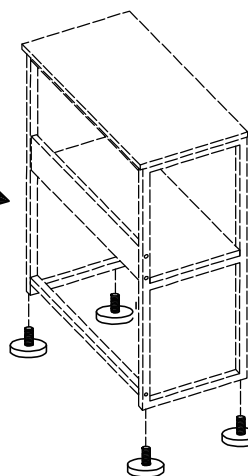
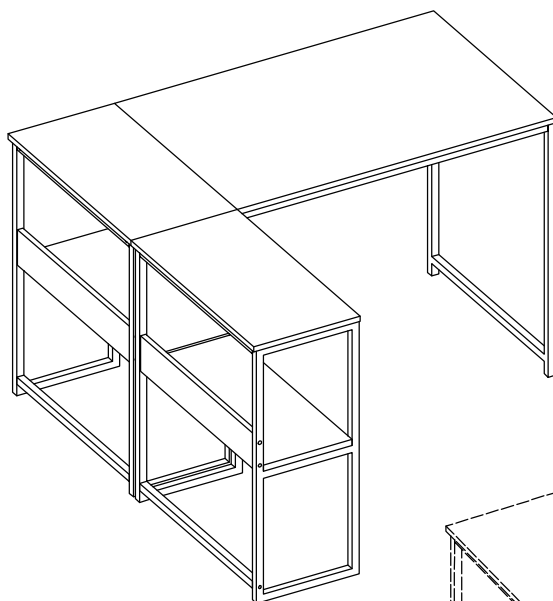


Ex8



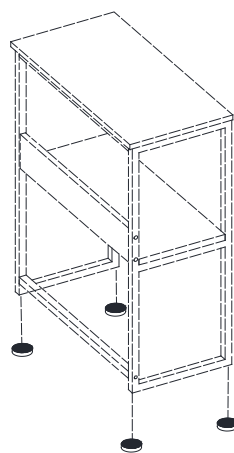
9

(1)

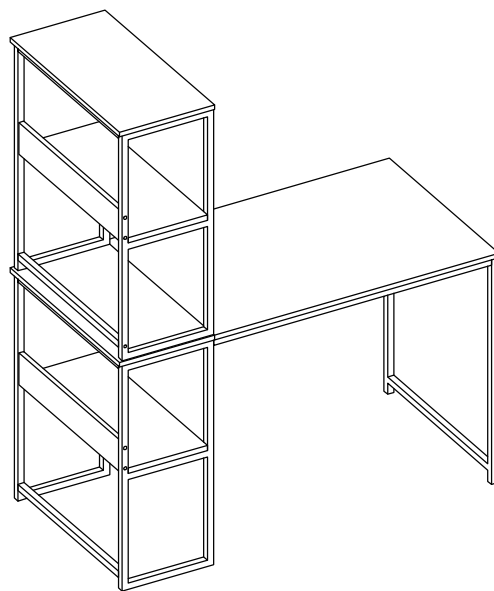


B x4

(2)



J x4

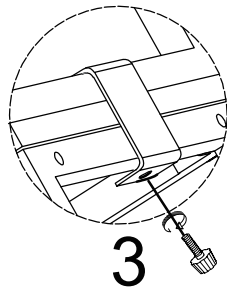
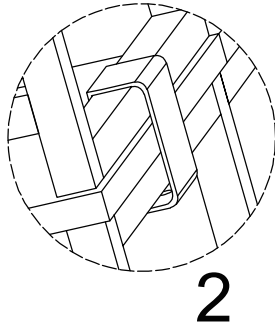
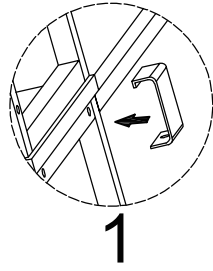


B x4

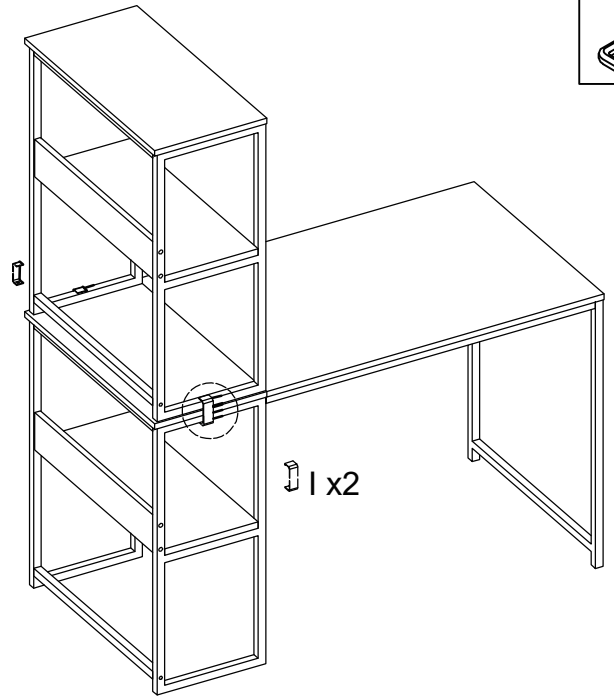
J x4



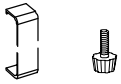
10



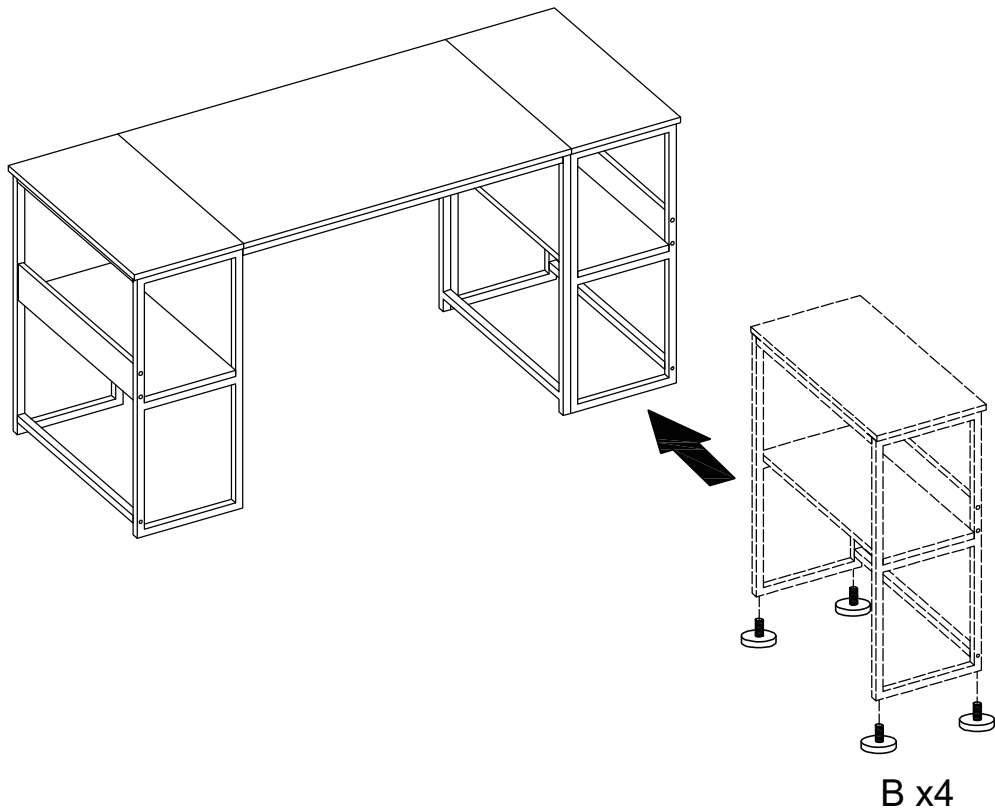
100%



1 x 2



11



B x 4

