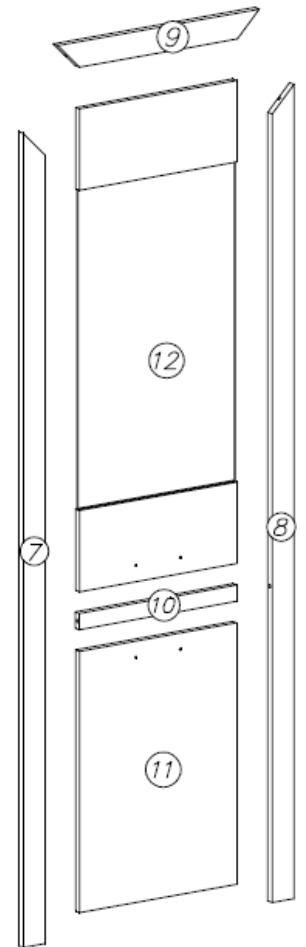
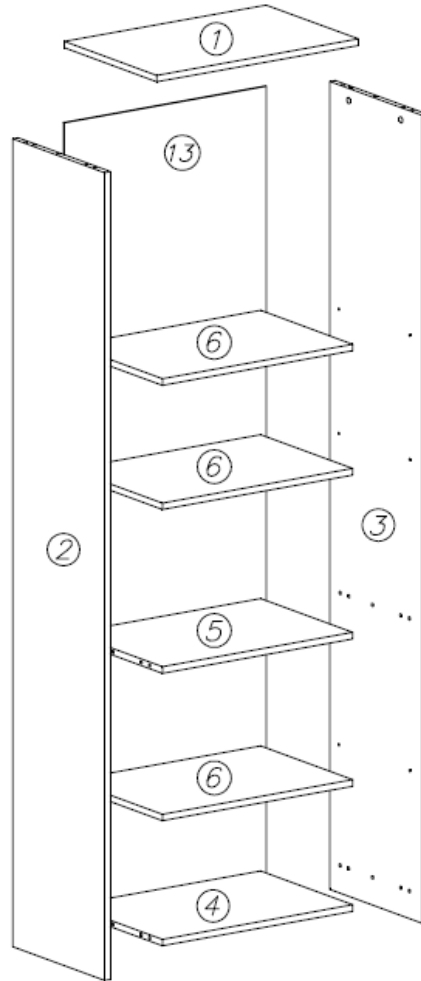
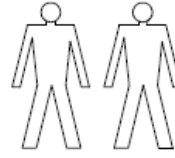
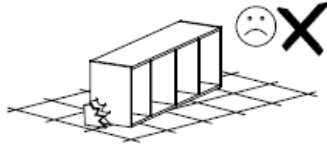
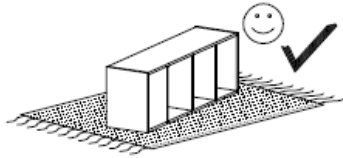
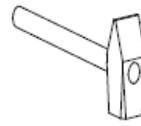


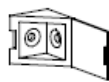
JANTAR II



G4
4x16 x8



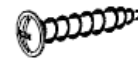
F4
x2



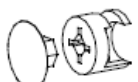
E4
x2



G8
4x27 x4



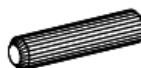
K1
ø15x12 x12



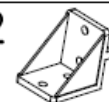
W4
1,6x20 x65



B1
ø8x35 x20



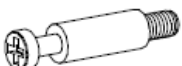
F12
x15



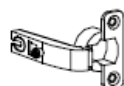
F2
x12



K5
x12



C5
Z35R0 x4



D5
PZ35R0 x4



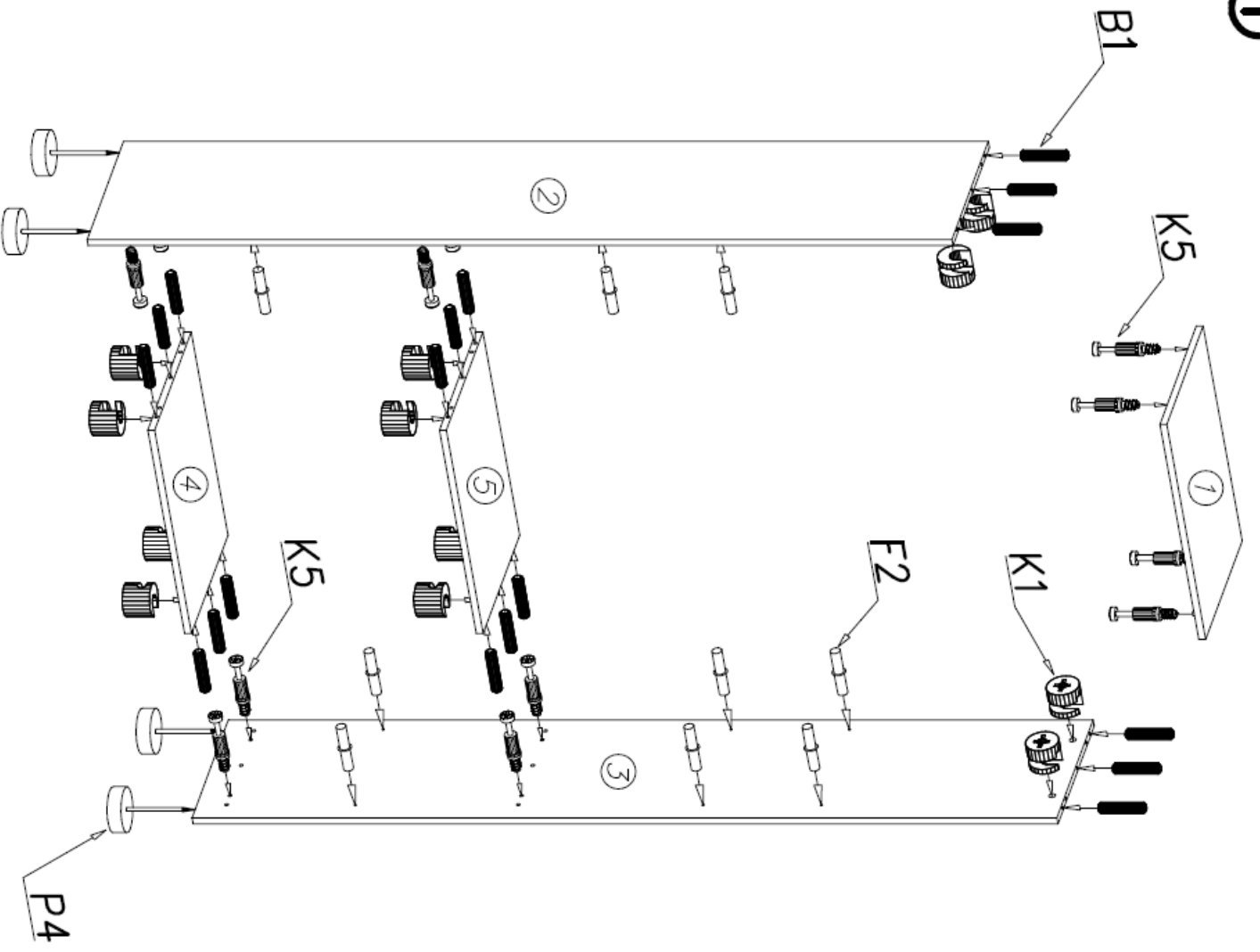
P4
x4



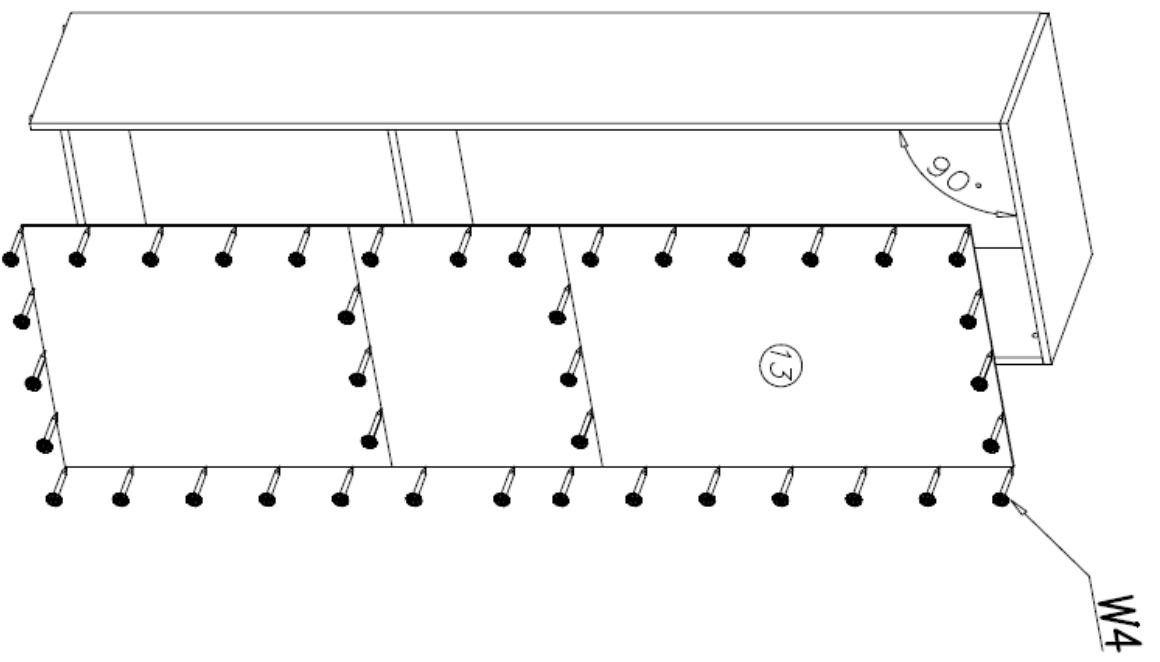
G34
3,5x16 x66



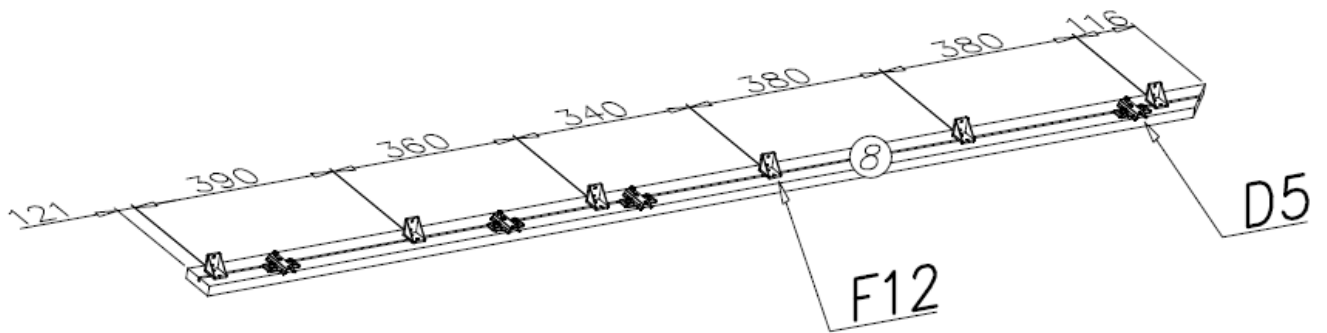
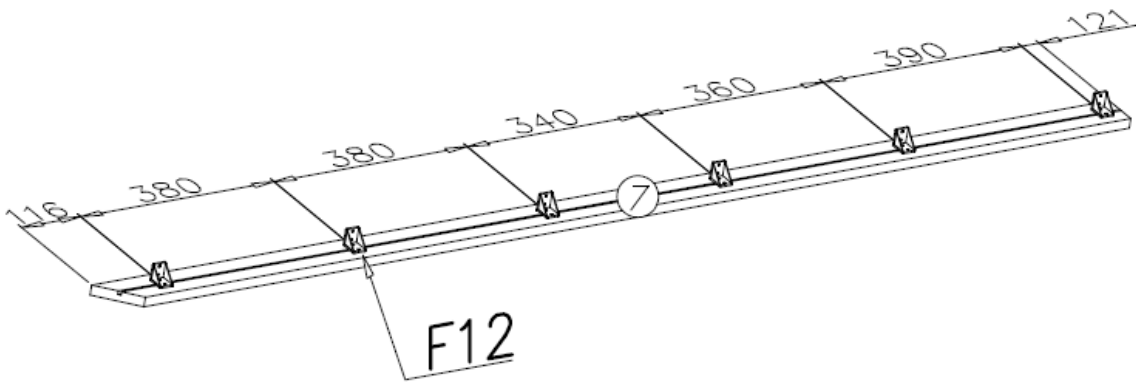
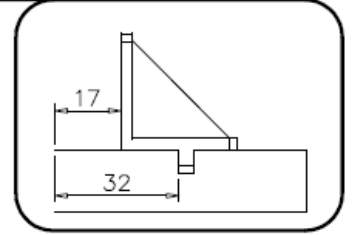
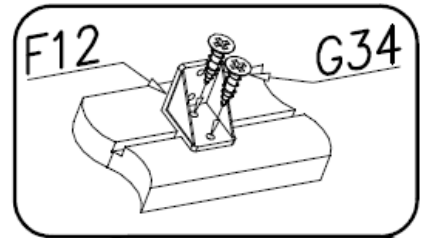
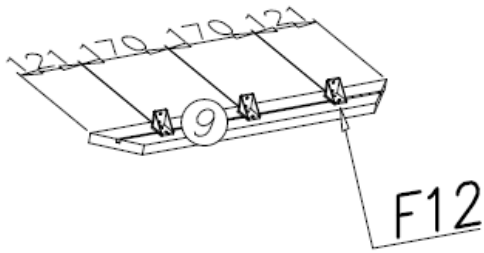
①



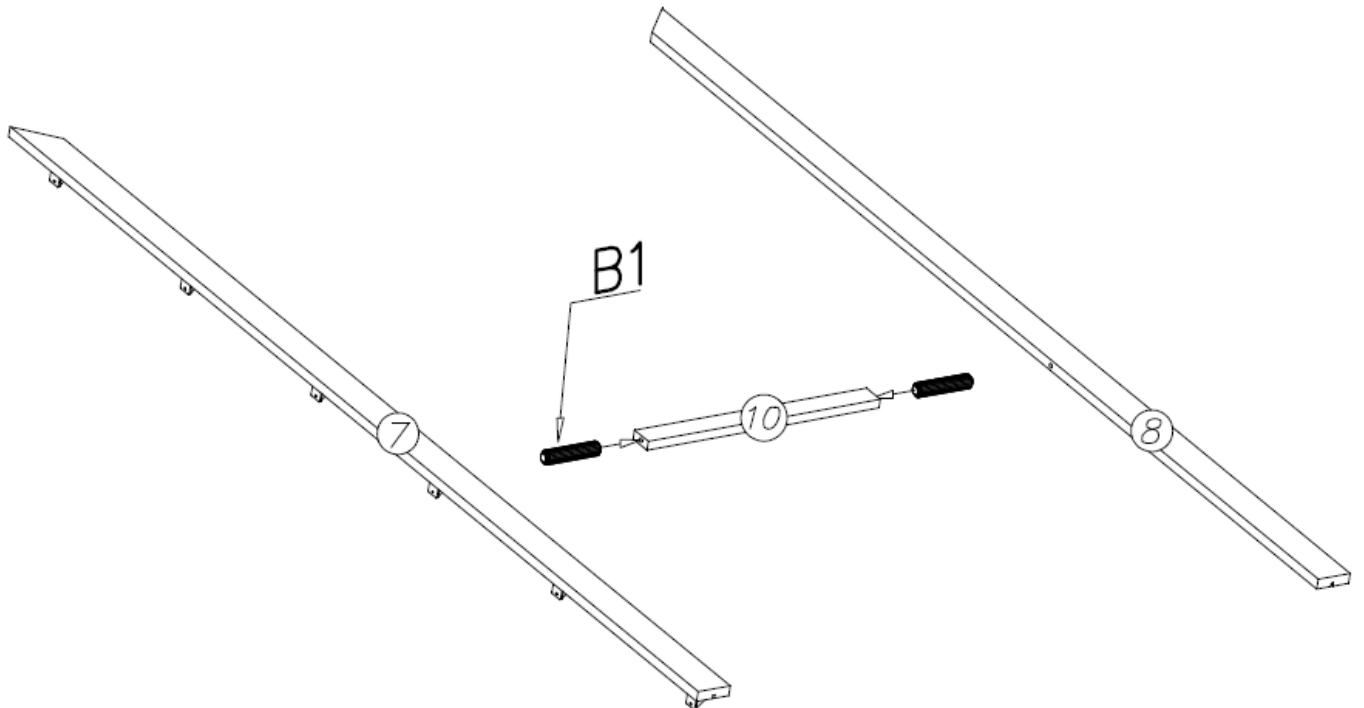
②



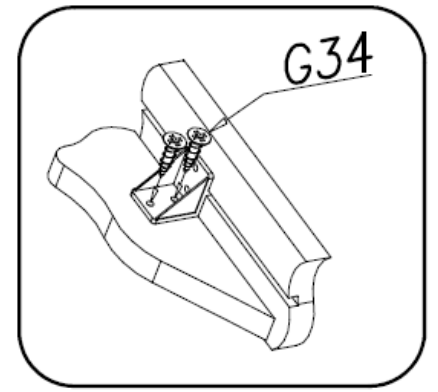
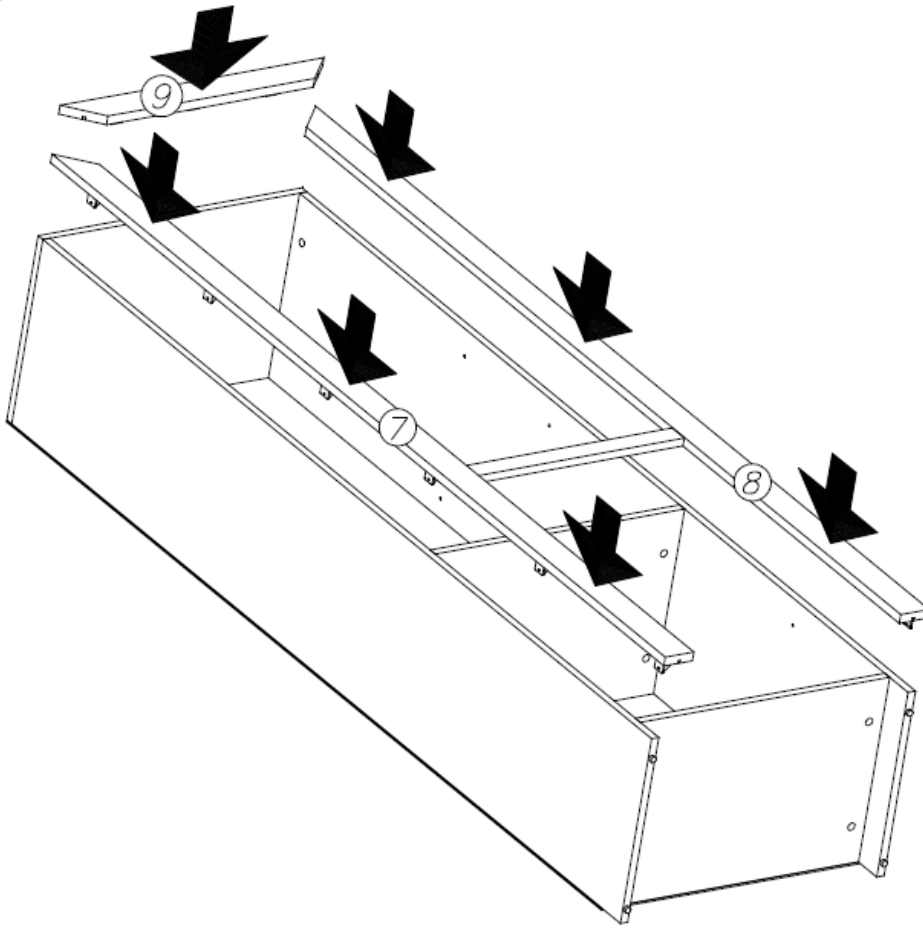
③



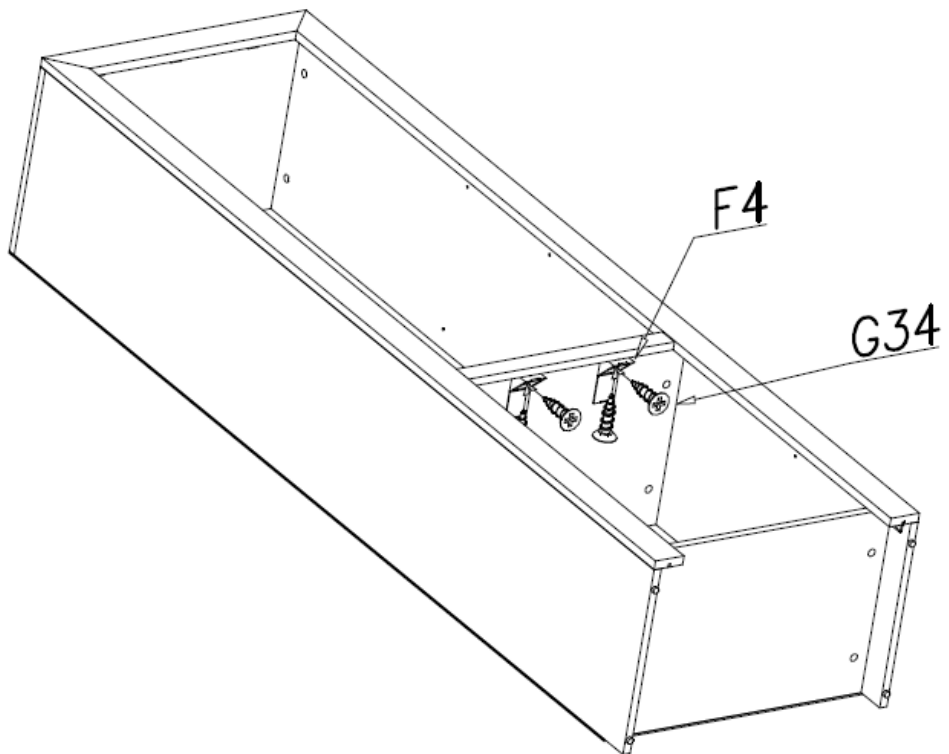
④



⑤



⑥



7

