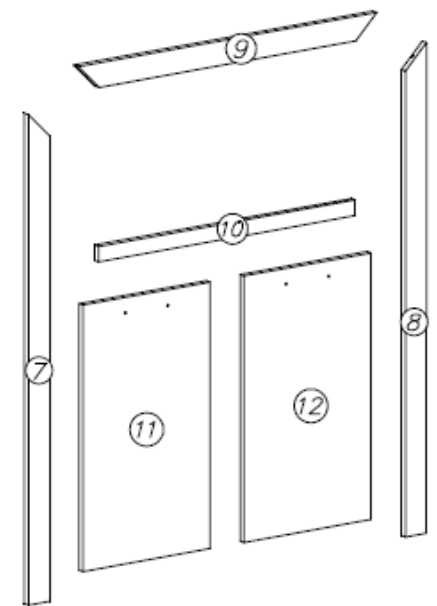
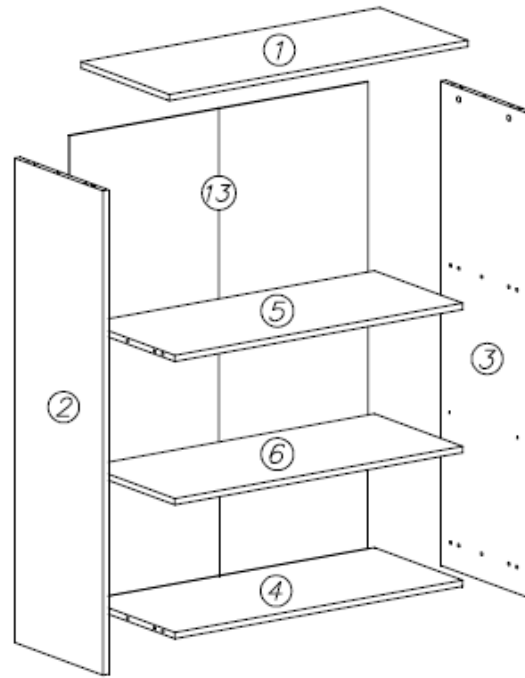
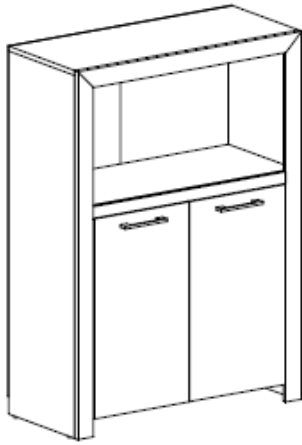
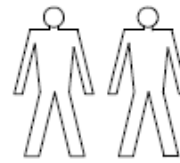
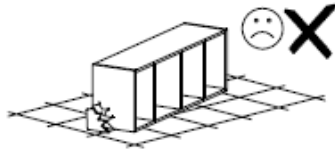
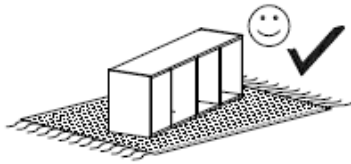
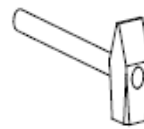


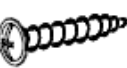


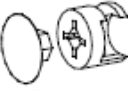
# JANTAR IV





**F4**  x3


**E4**  x2


**G8**  4x27 x4

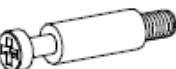
**K1**   $\varnothing 15 \times 12$  x12


**W4**  1,6x20 x60

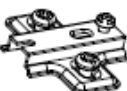
**B1**   $\varnothing 8 \times 35$  x20


**F12**  x13


**F2**  x4

**K5**  x12

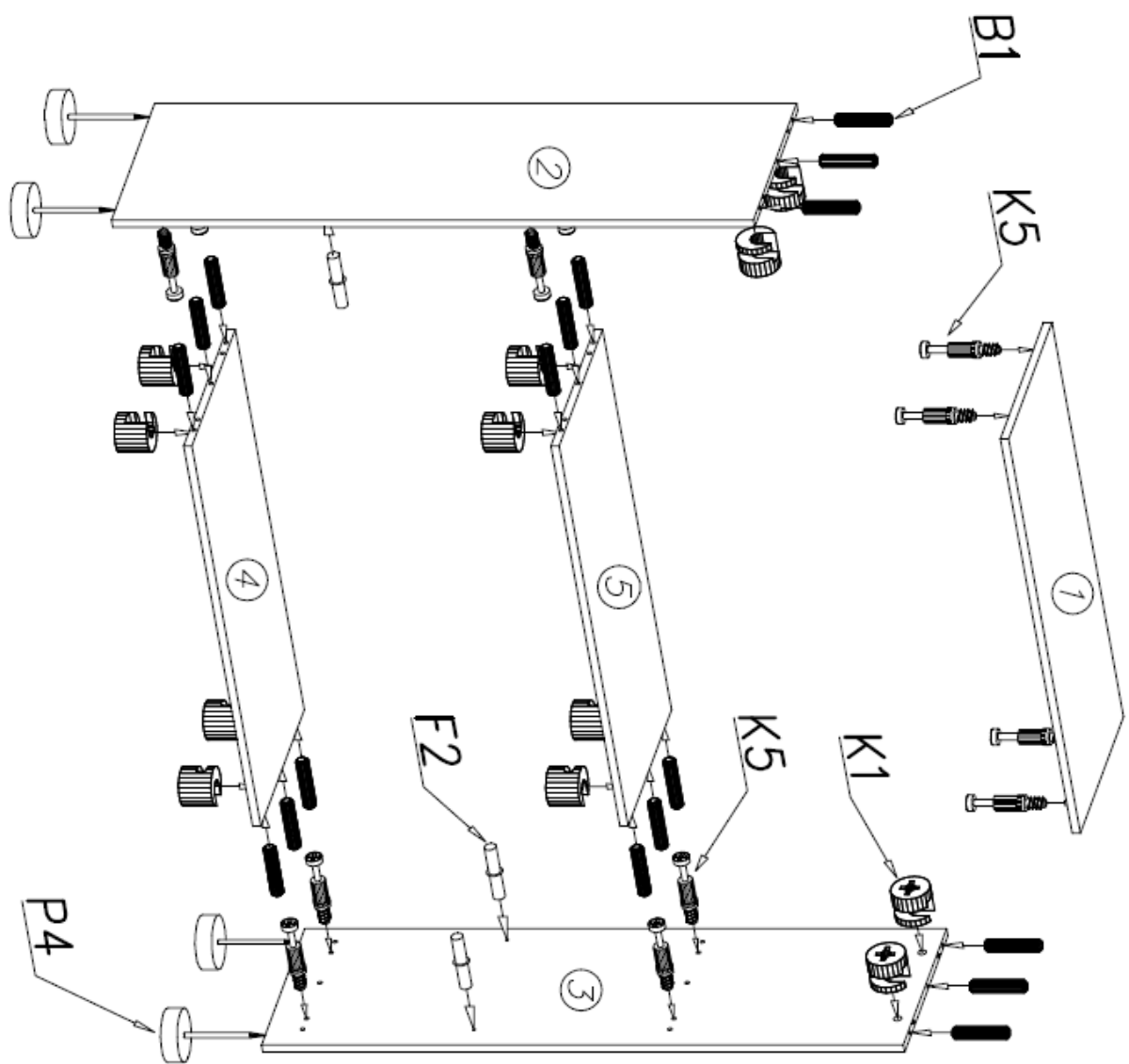
**C5**  Z35R0 x4

**D5**  PZ35R0 x4

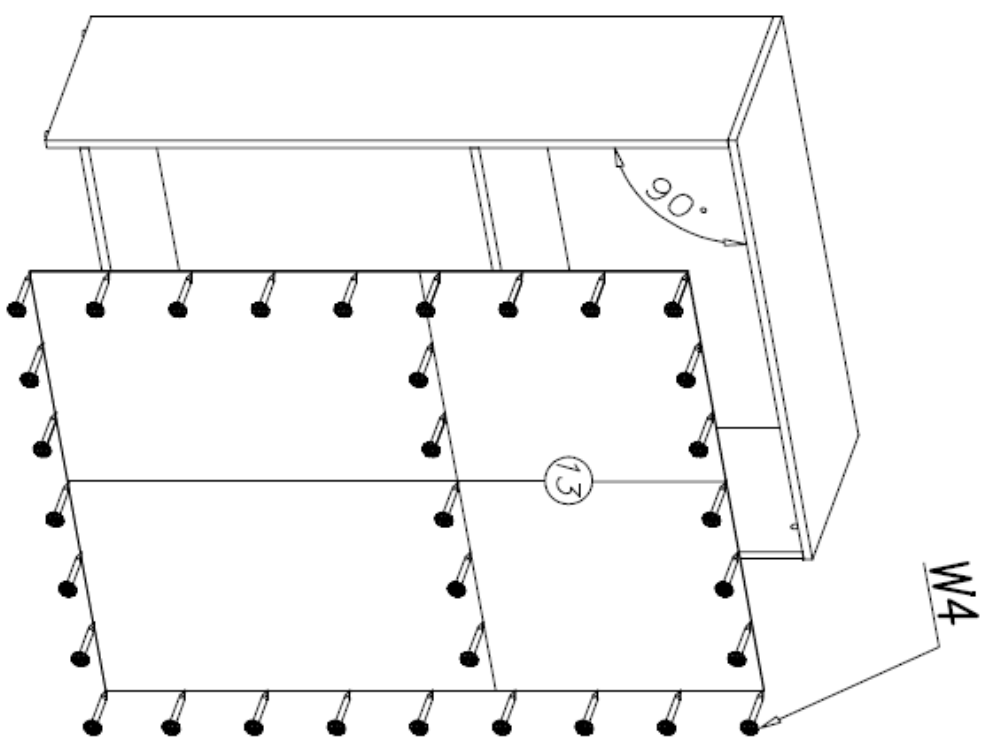
**P4**  x4

**G34**  3,5x16 x66

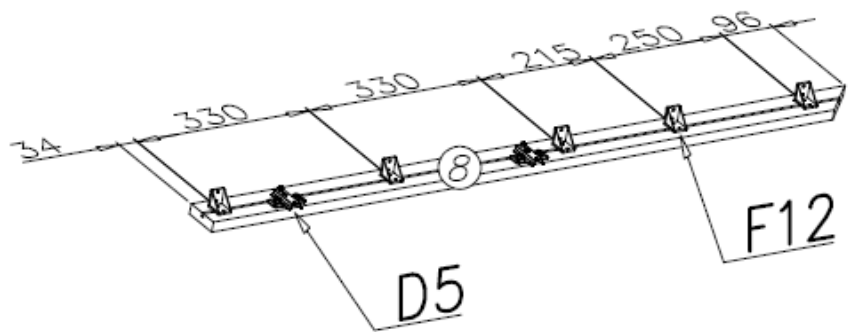
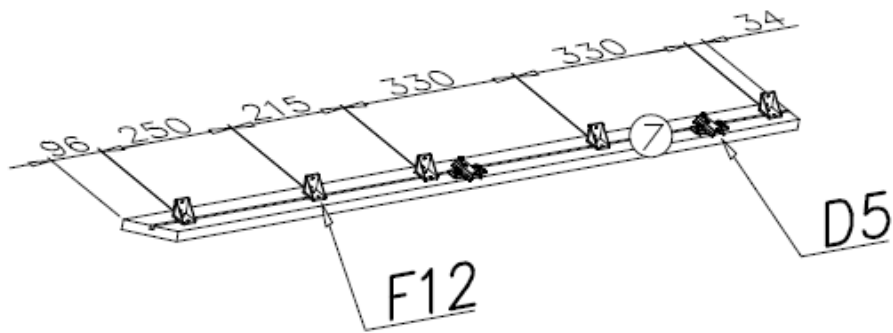
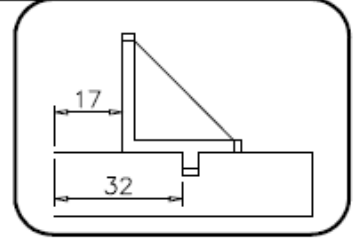
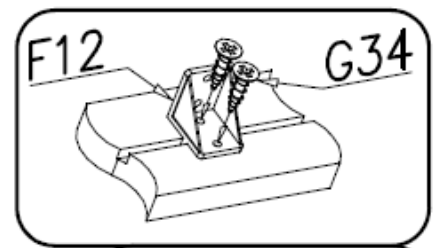
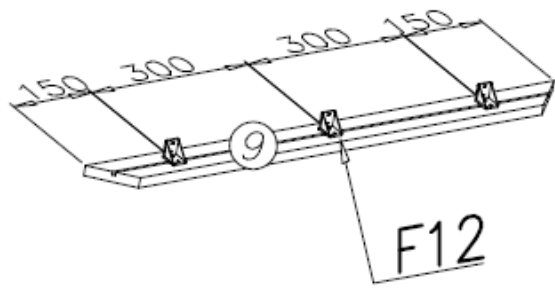
1



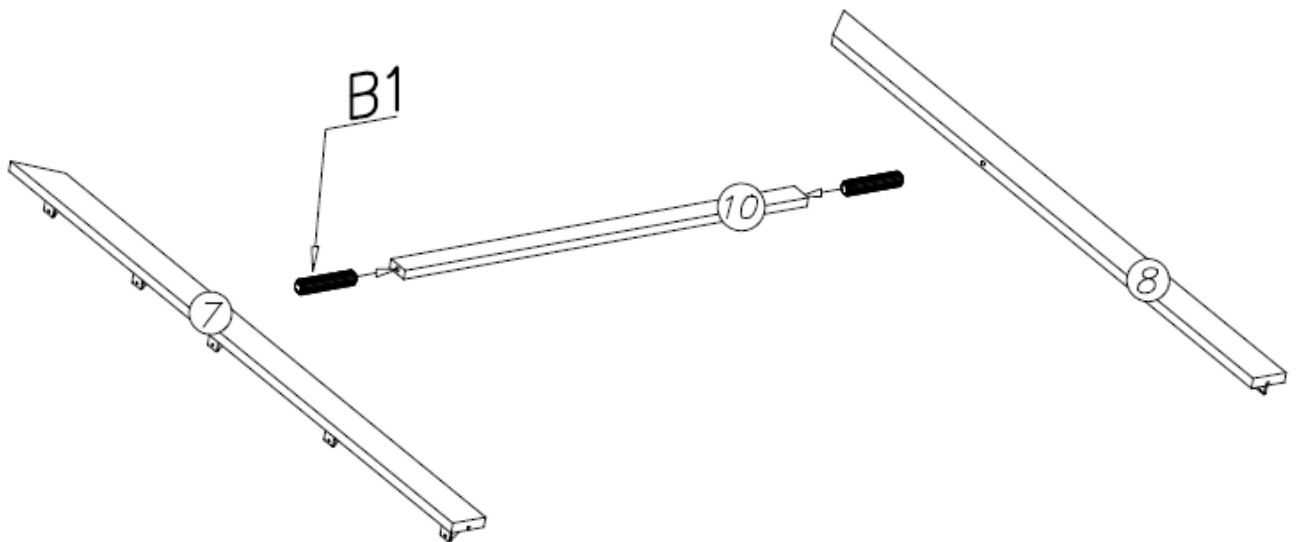
2



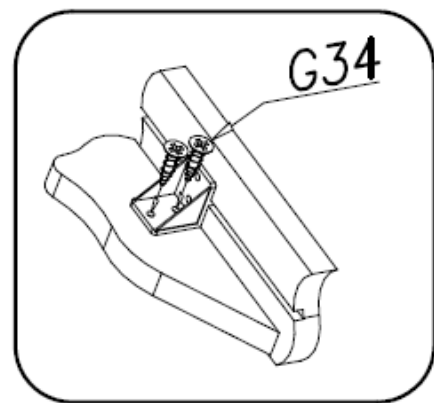
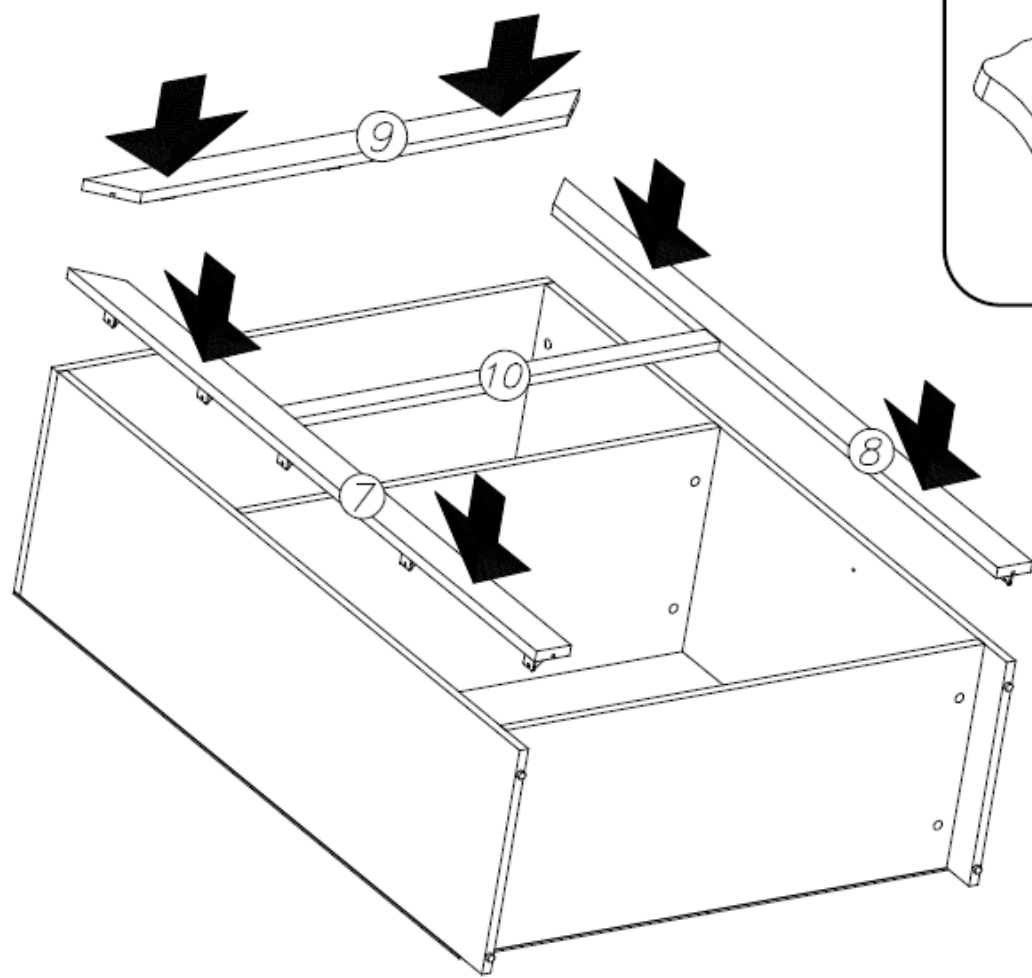
3



4



5



6

