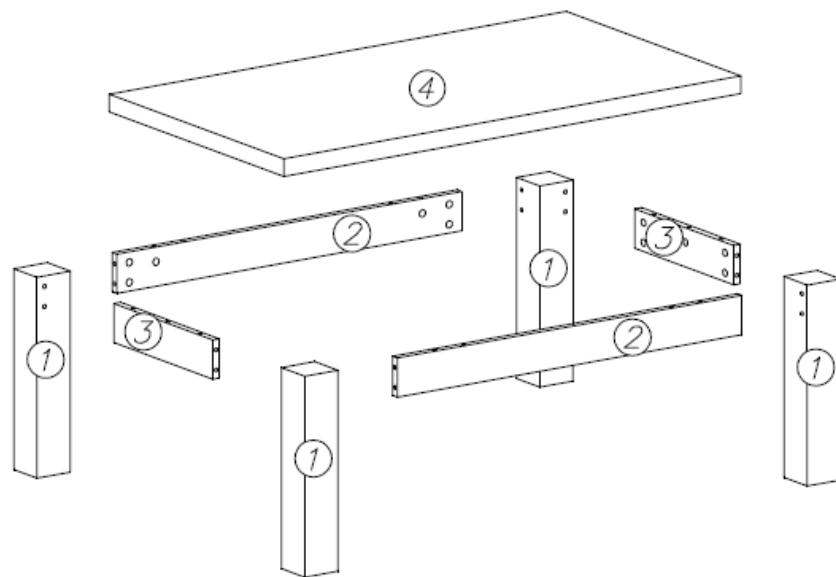
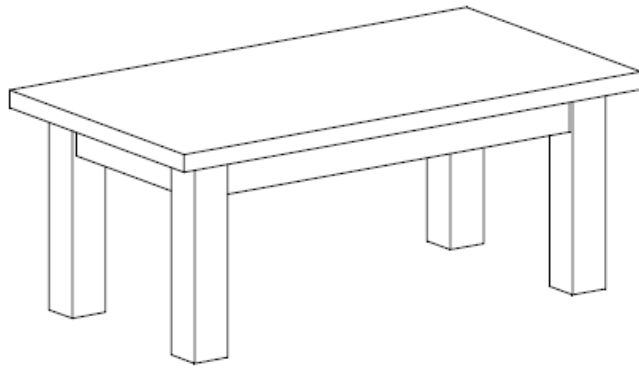
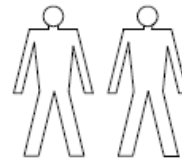
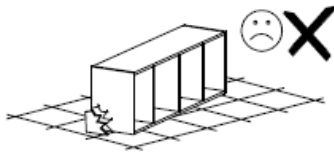
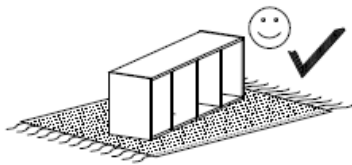
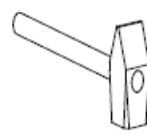
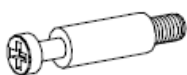
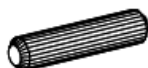




# JANTAR IX



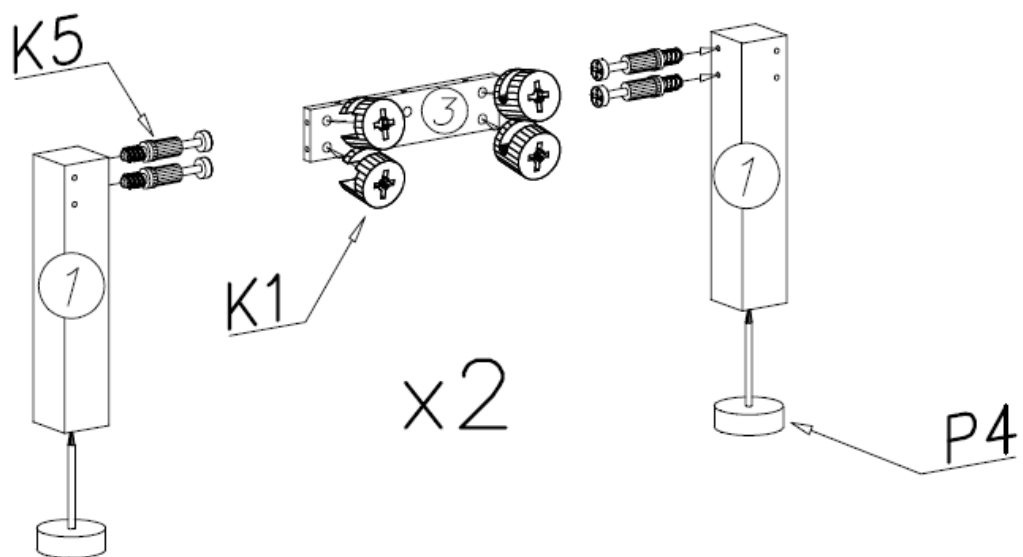
**K5**  
  
x22

**B1**  
  
ø8x35 x10

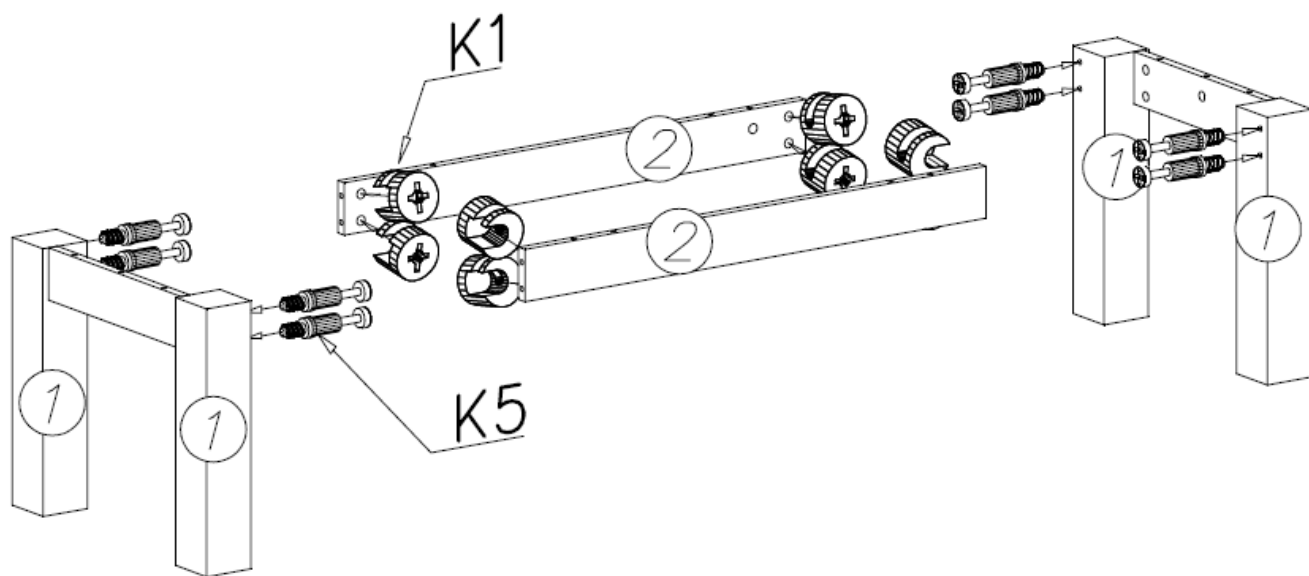
**K1**  
  
ø15x12 x22

**P4**  
  
x4

①



②



③

