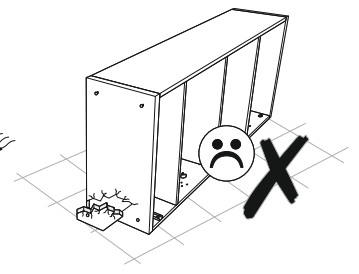
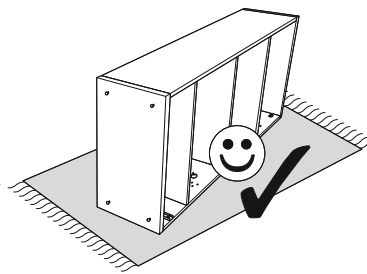
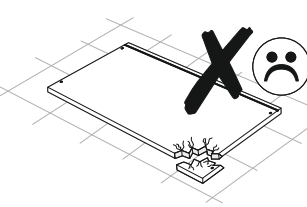
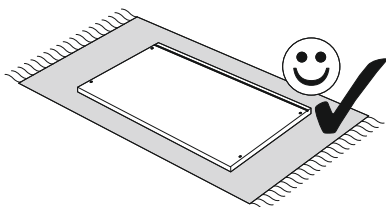
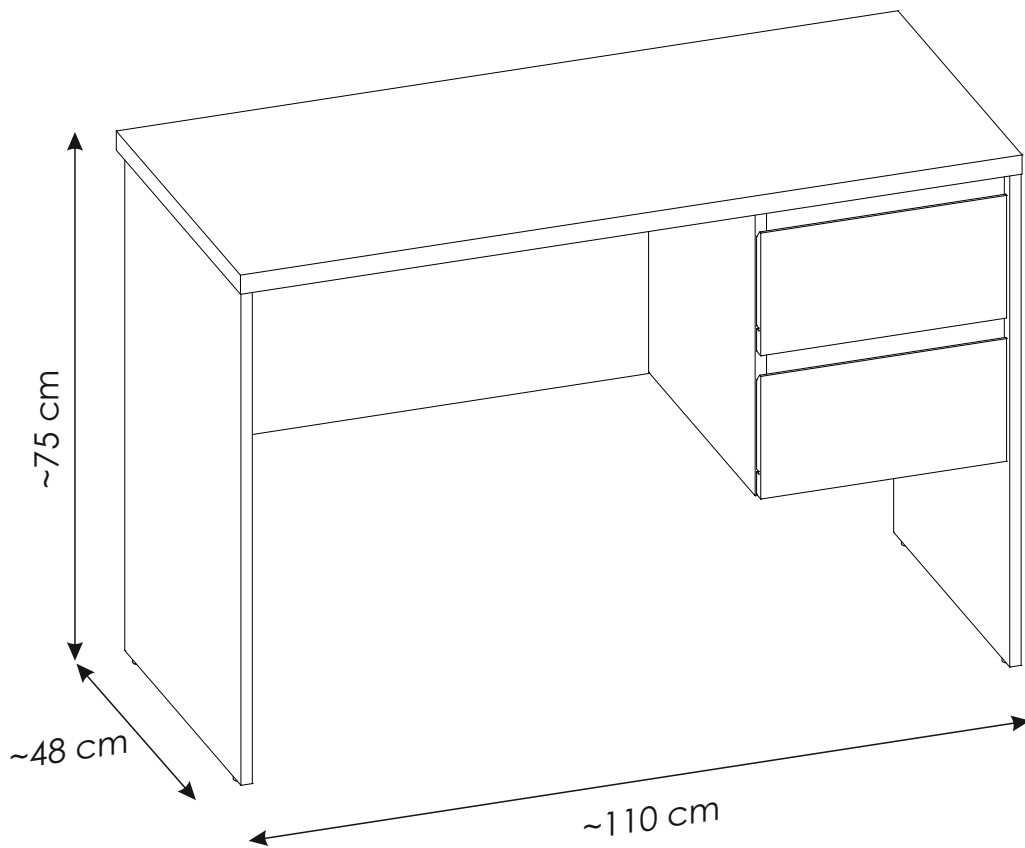
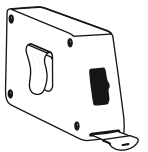
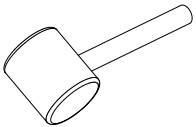
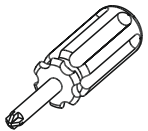
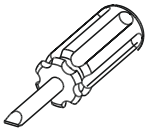
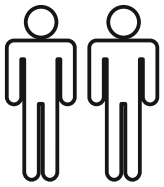
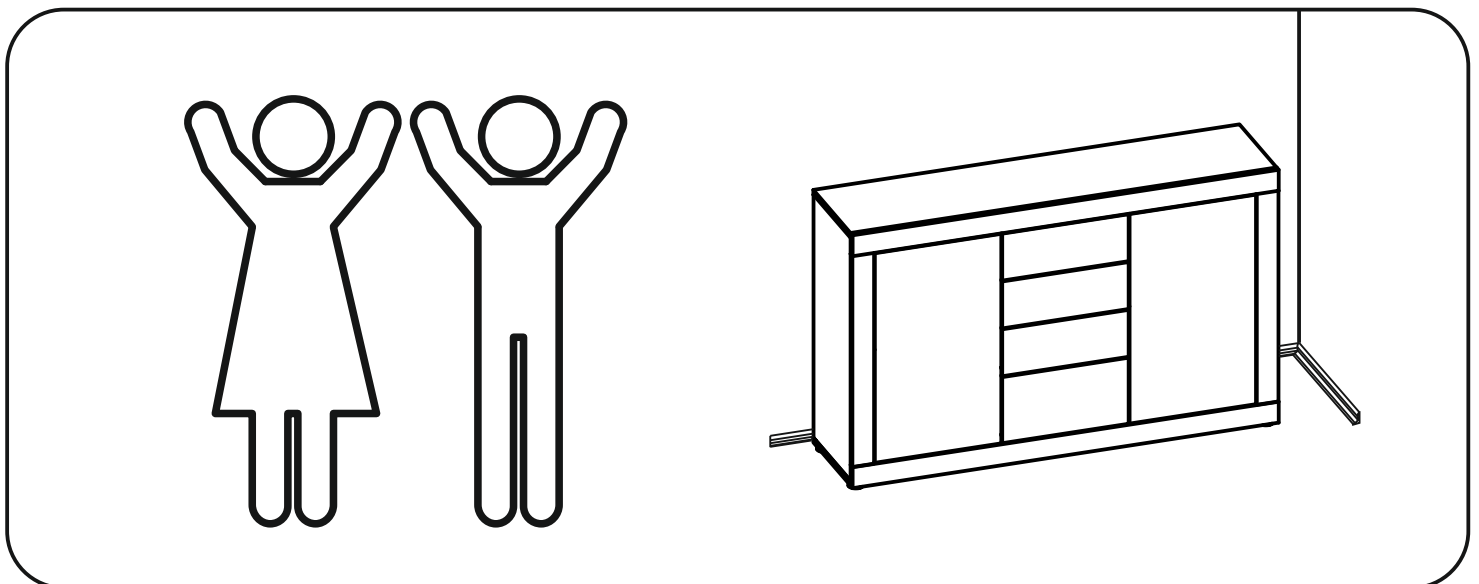
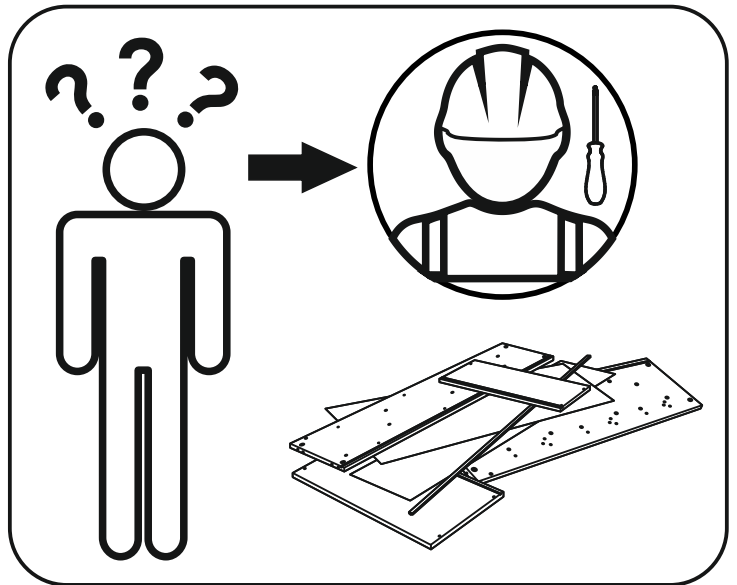
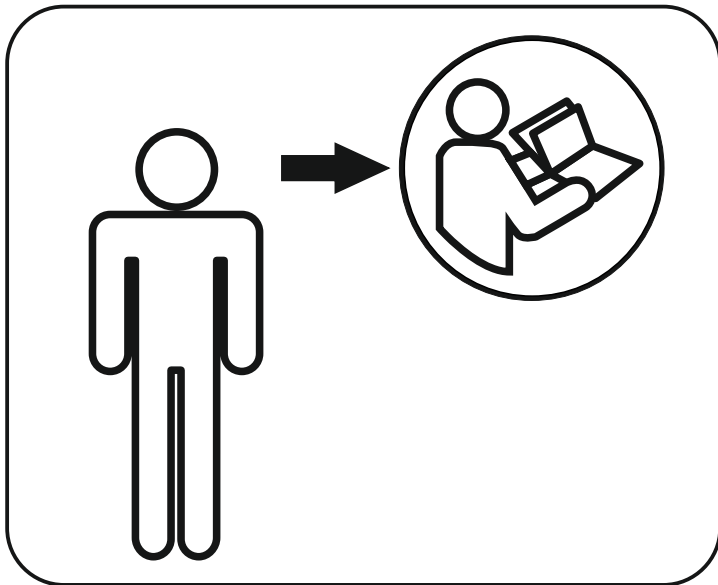
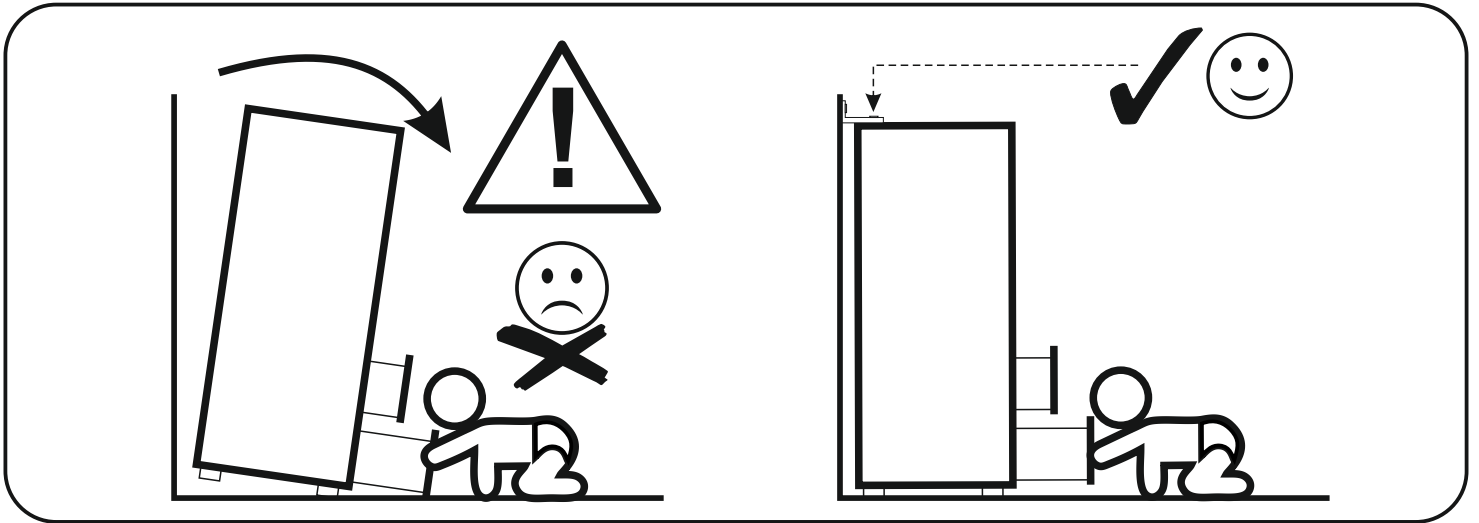
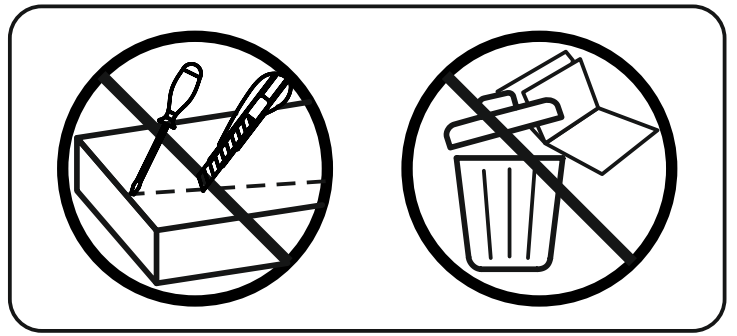
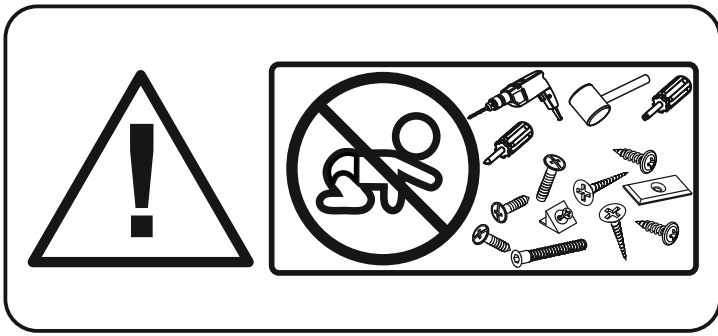
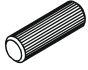

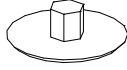

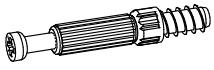
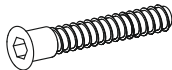
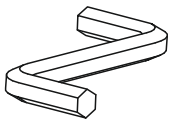
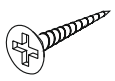
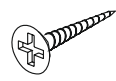

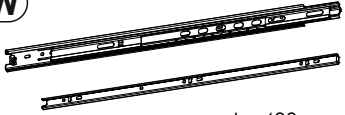
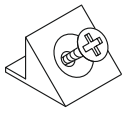
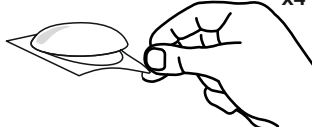


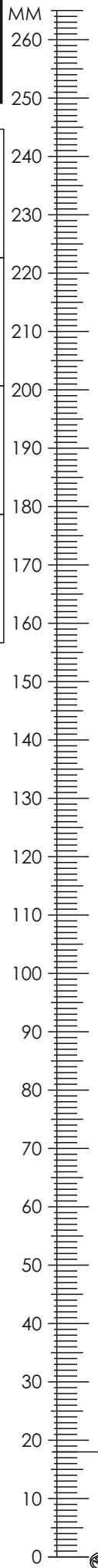
VELB02



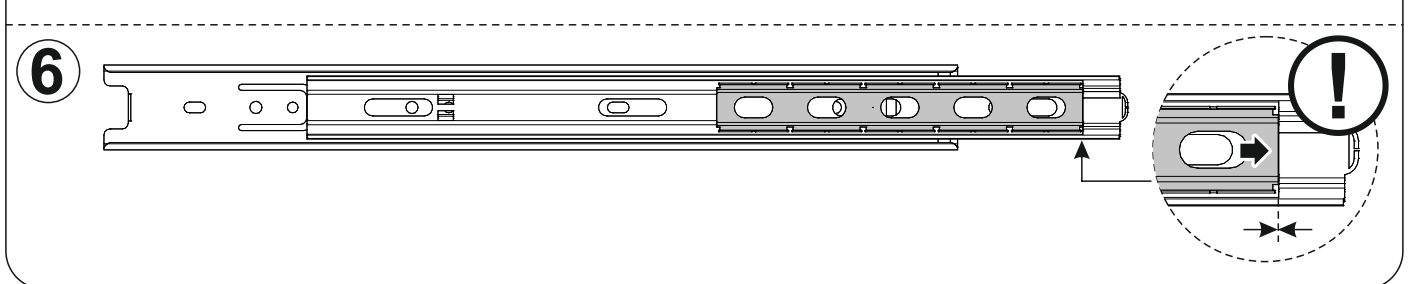
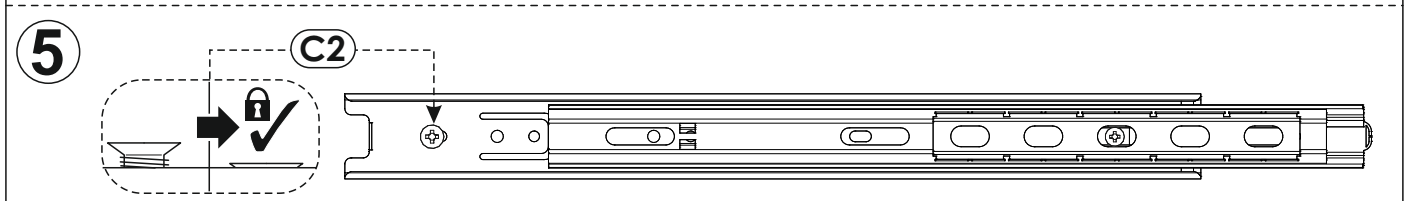
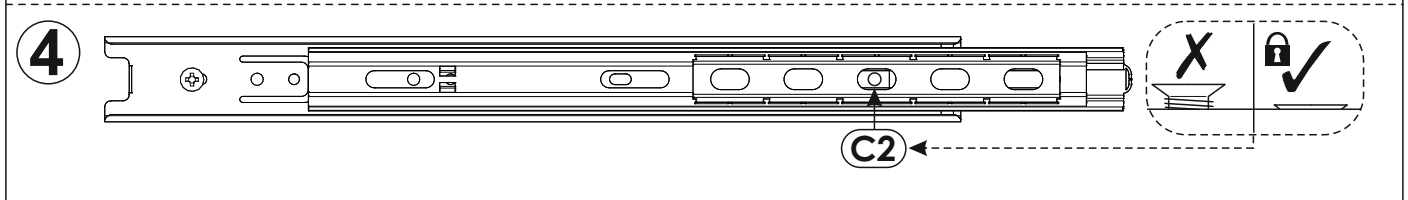
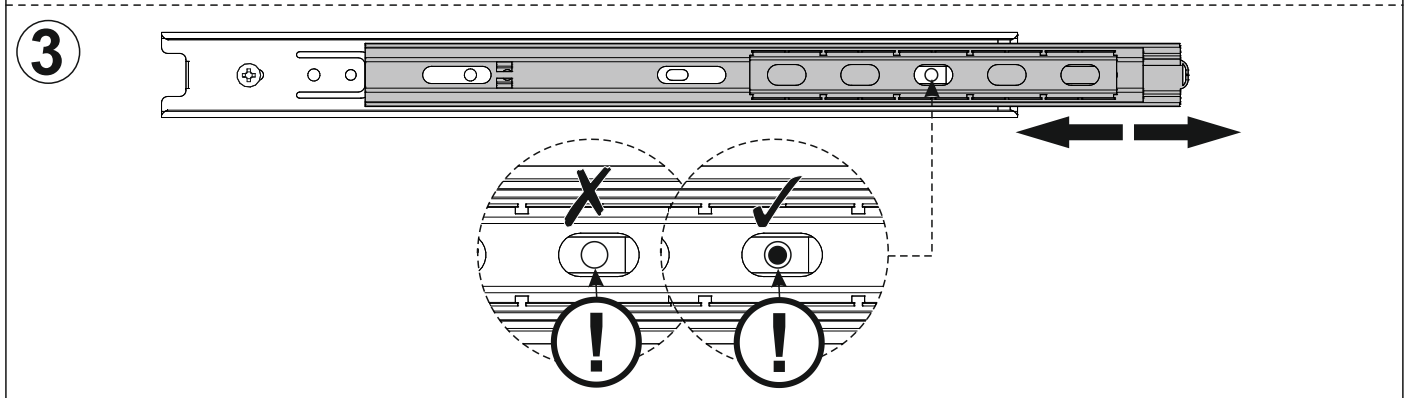
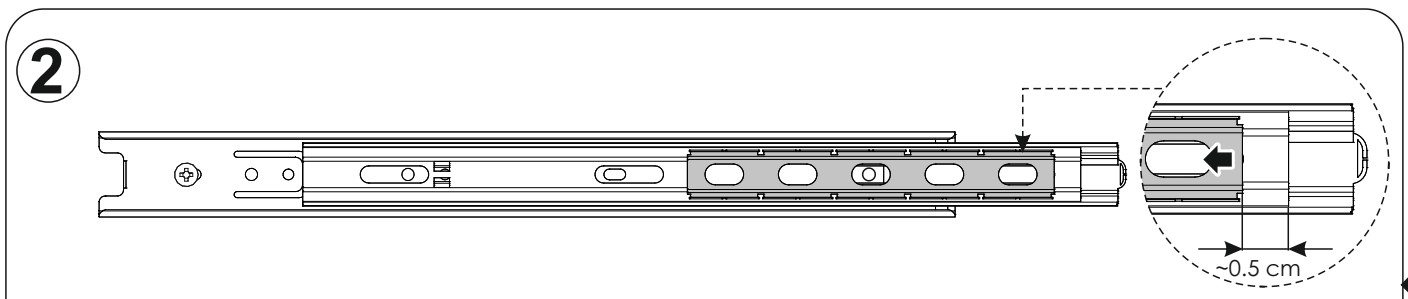
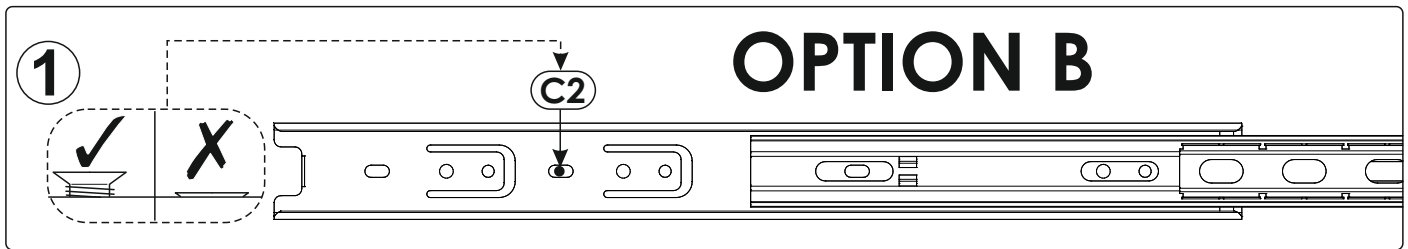
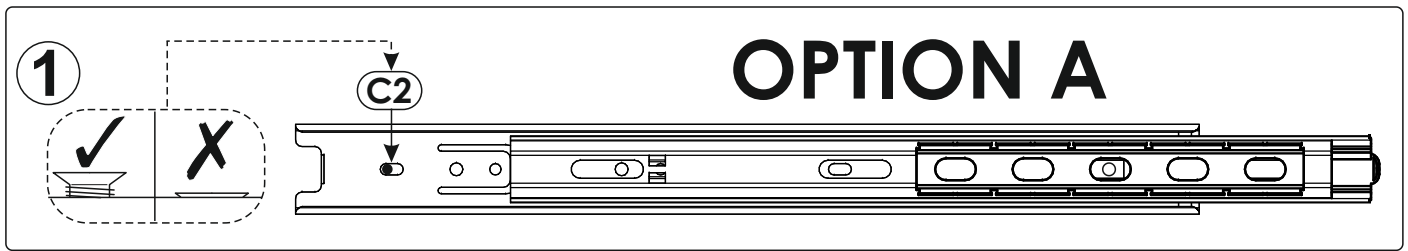


VELB02

A1 8 x 35 mm x37 	C2 5 x 13 mm x8 	E0 Ø16 x10 
E1 15 x 12 mm x25 	F1 6 x 34 mm x25 	G1 7 x 50 mm x4 
M x1 	N1 3 X 16 mm x10 	N2 3,5 X 16mm x12 
O2 x4 	PW x4  L - 400 mm	R4 x2 
R8 x4 		

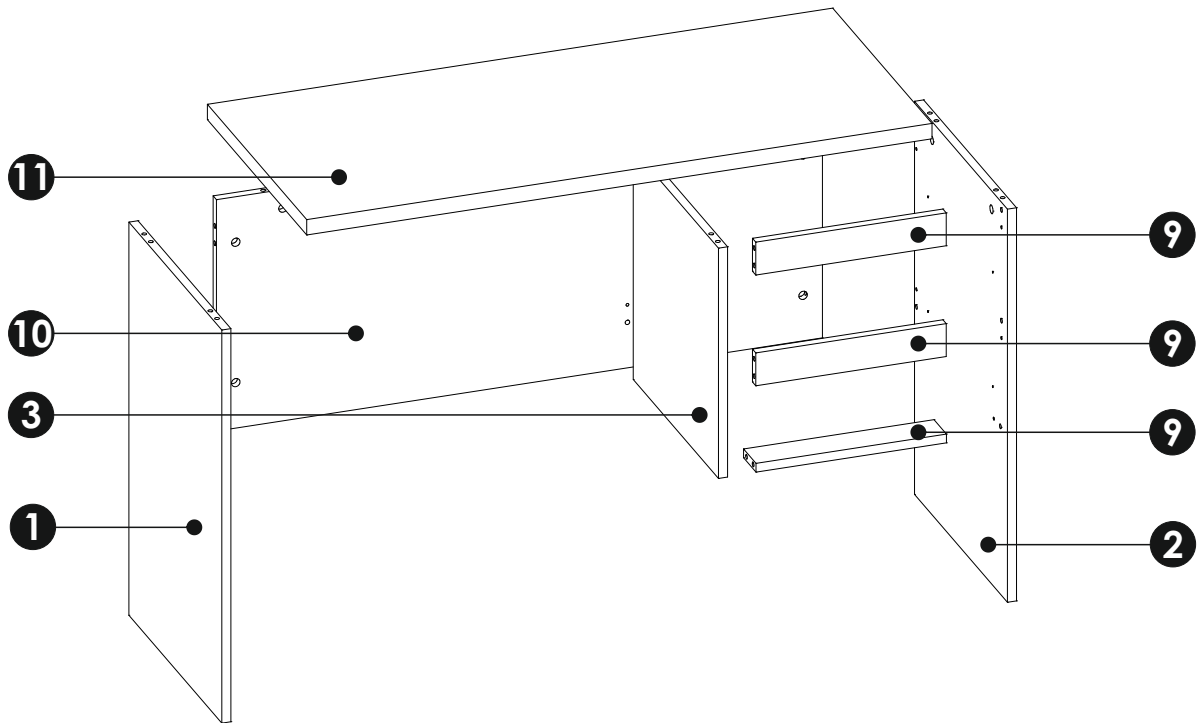
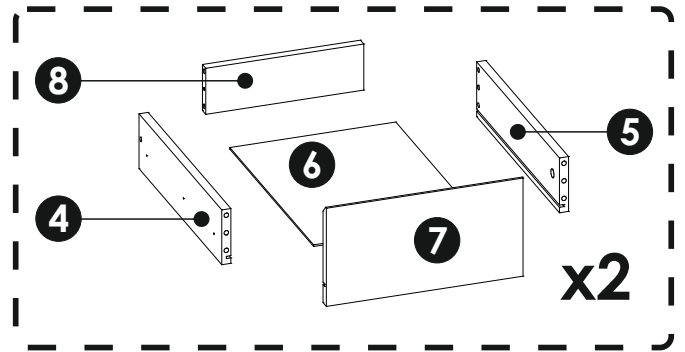
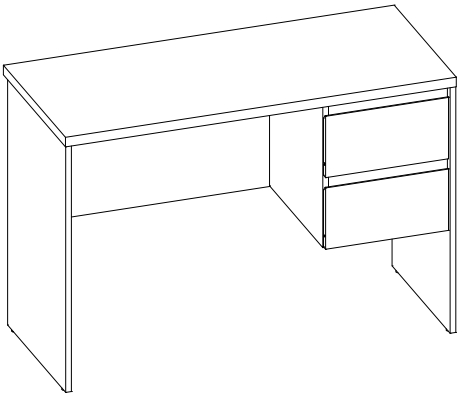


VELB02



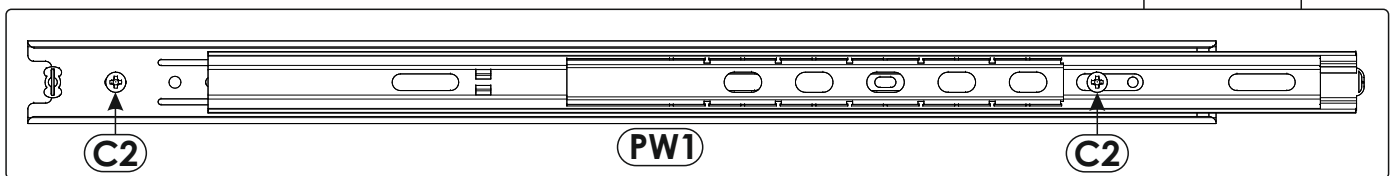
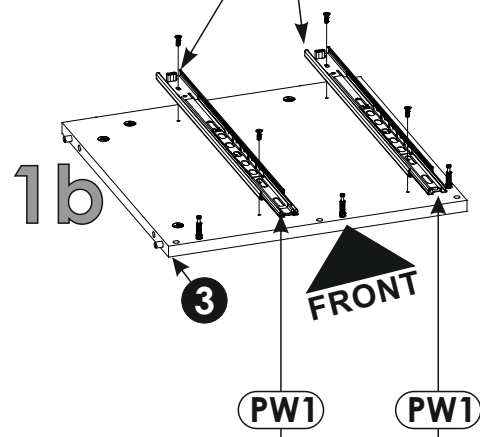
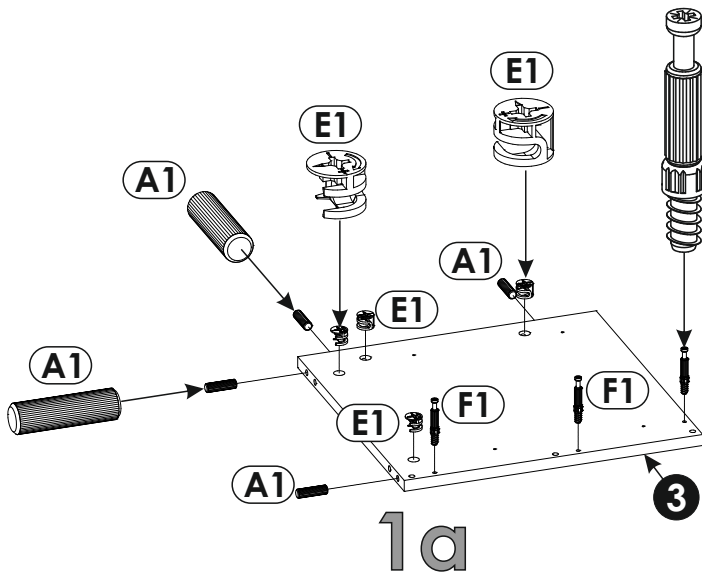
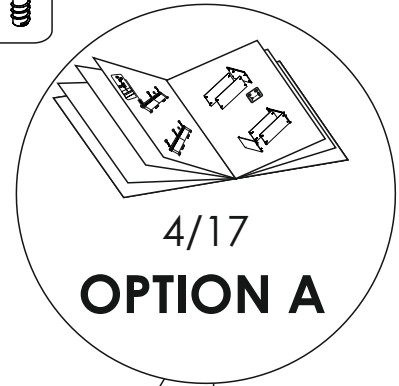
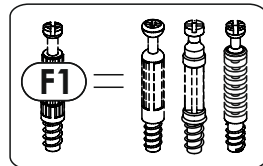
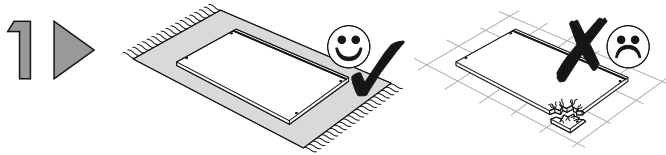
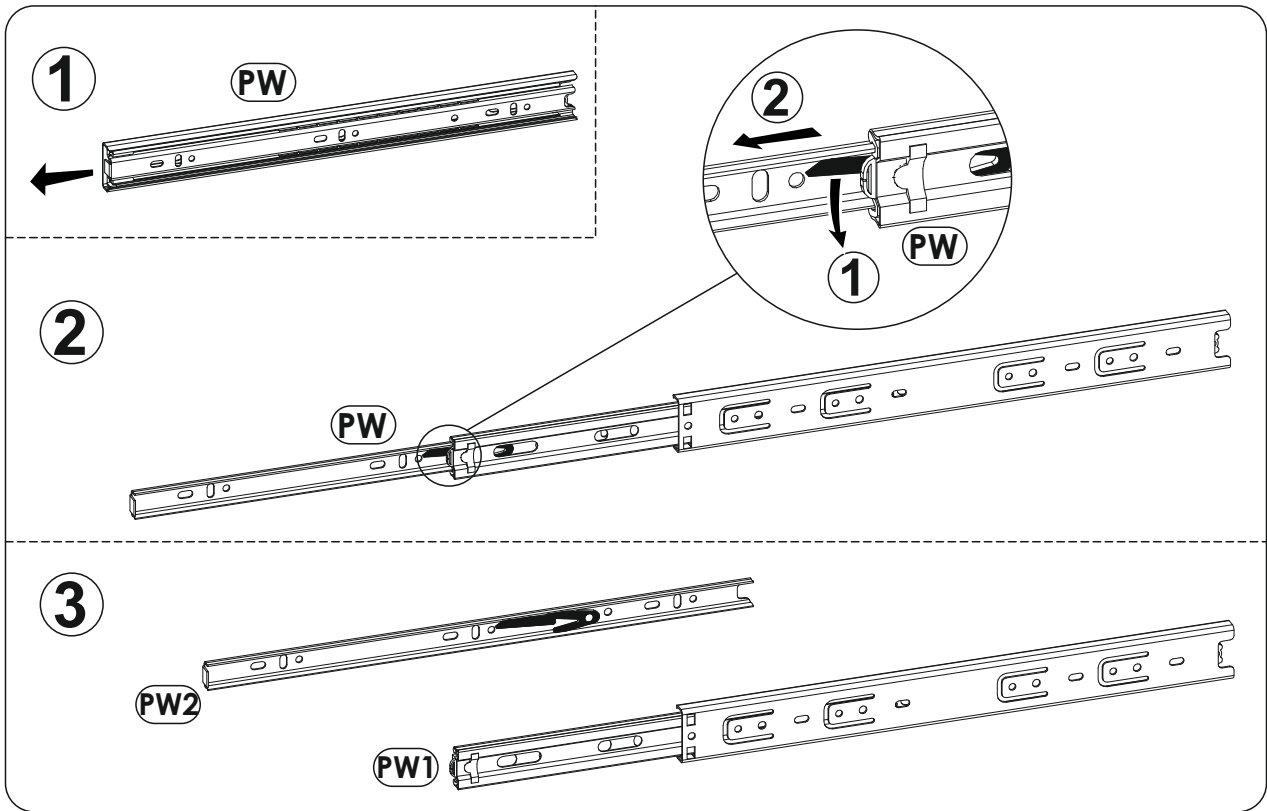
FRONT

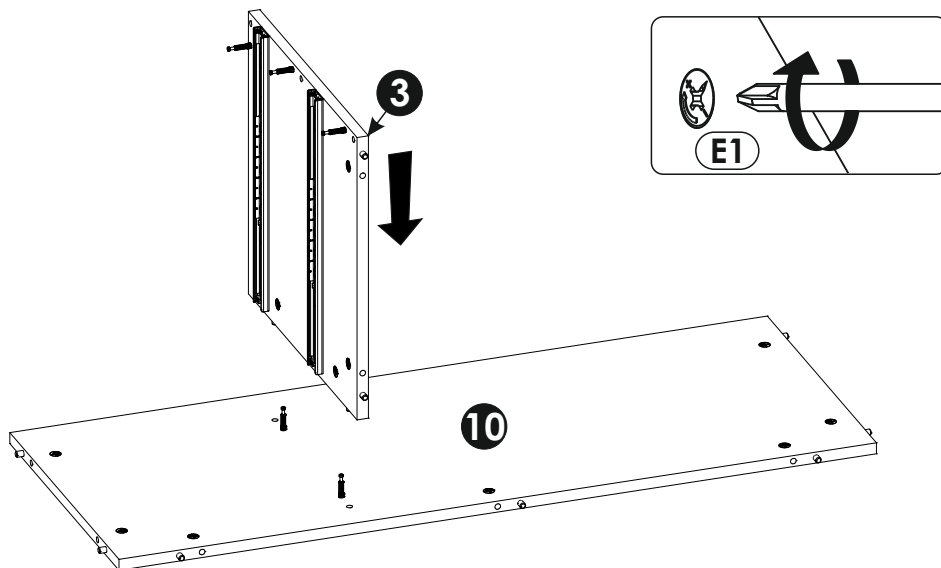
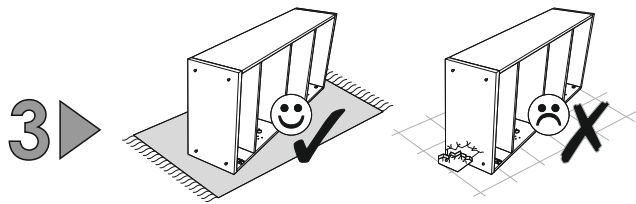
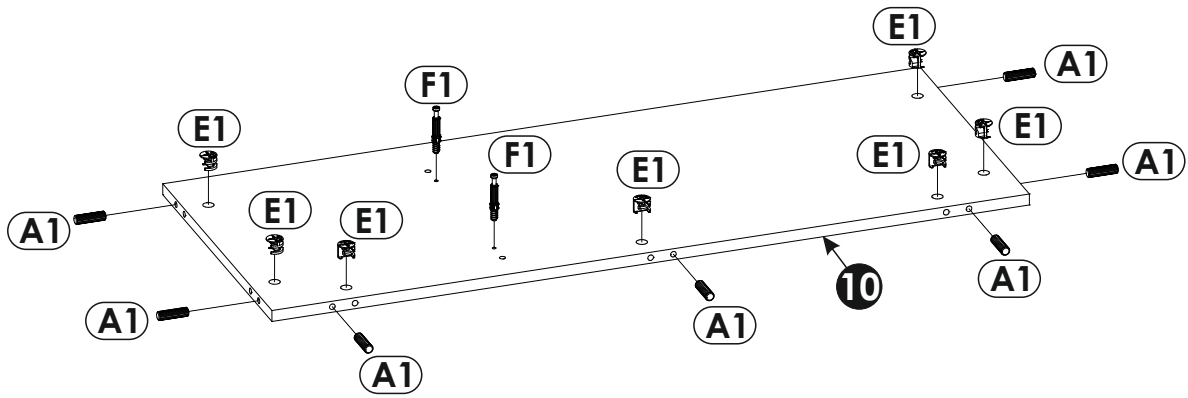
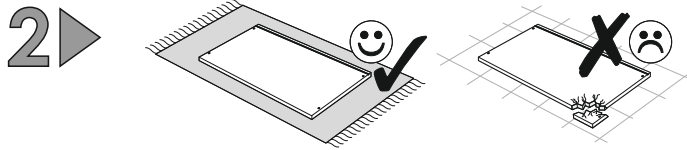
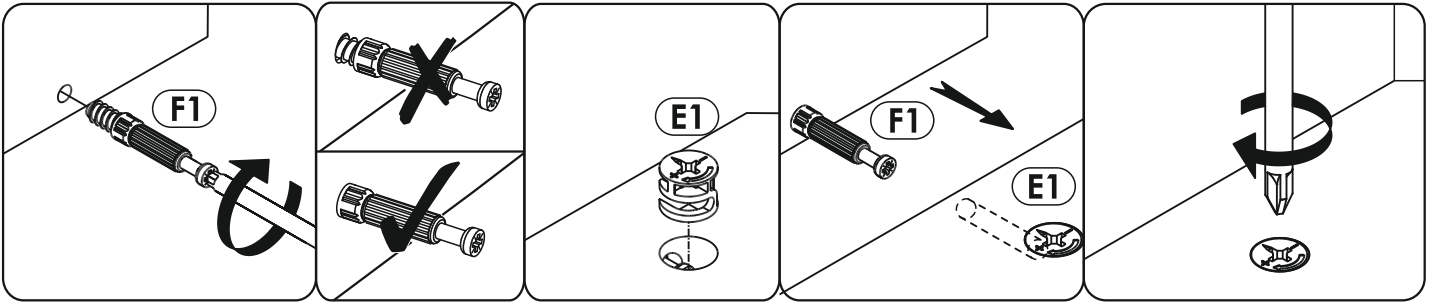
VELB02

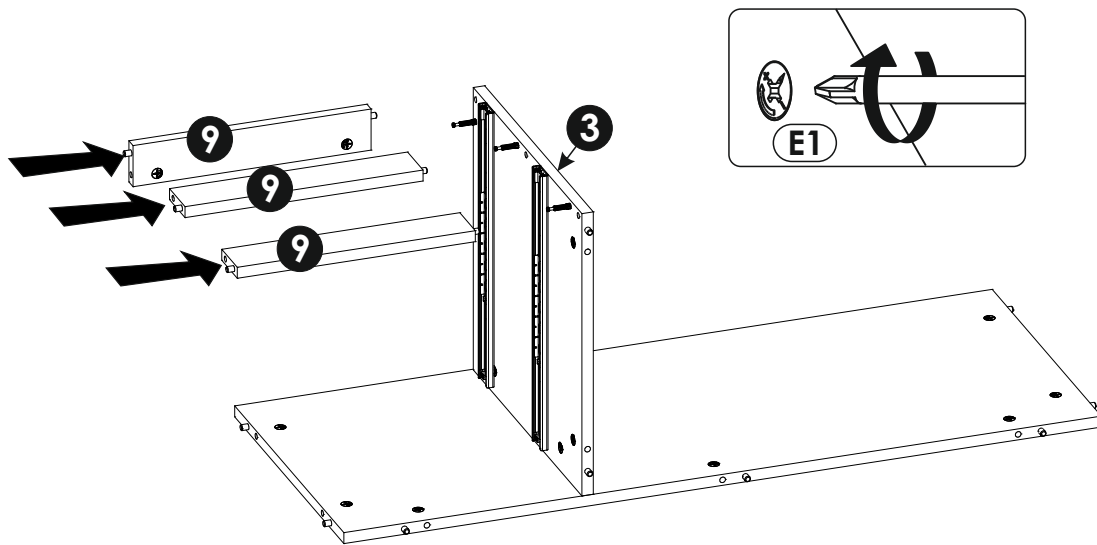
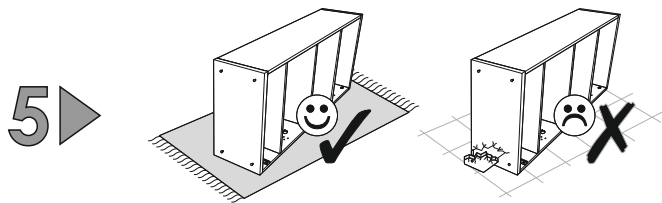
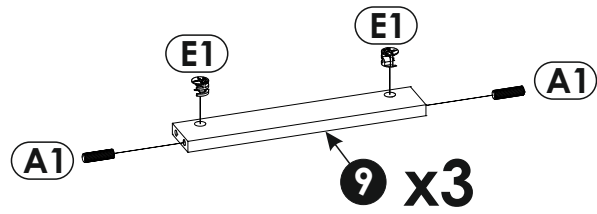
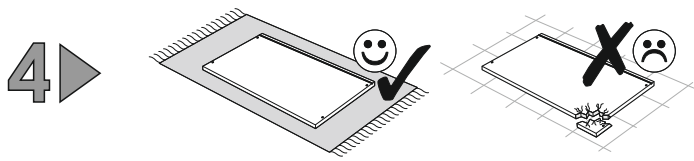


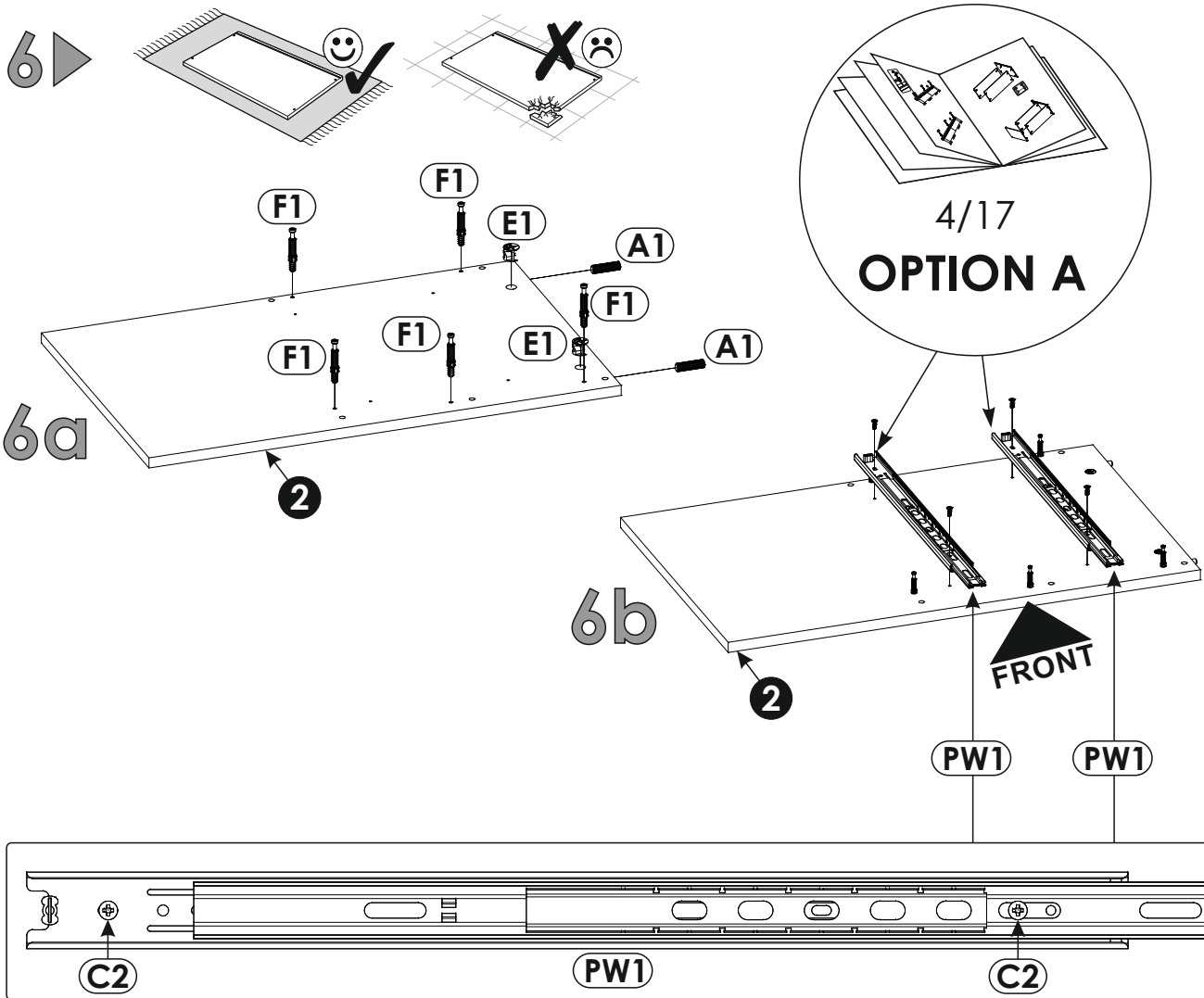
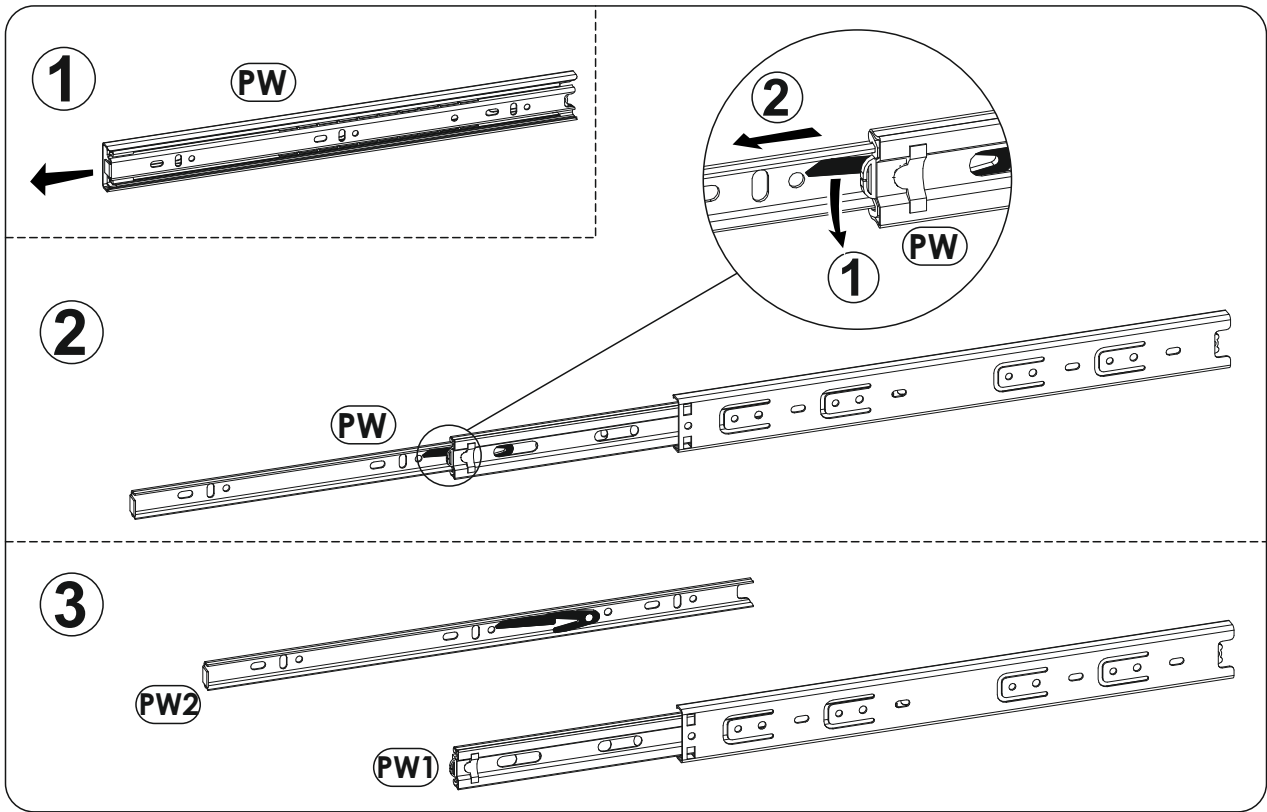
1	717	449	16 x1	1/1
2	717	449	16 x1	1/1
3	420	412	16 x1	1/1
4	400	100	16 x2	1/1
5	400	100	16 x2	1/1
6	292	405	3 x2	1/1

7	346	179	16 x2	1/1
8	278	84	16 x2	1/1
9	335	60	16 x3	1/1
10	1066	422	16 x1	1/1
11	1100	480	28 x1	1/1

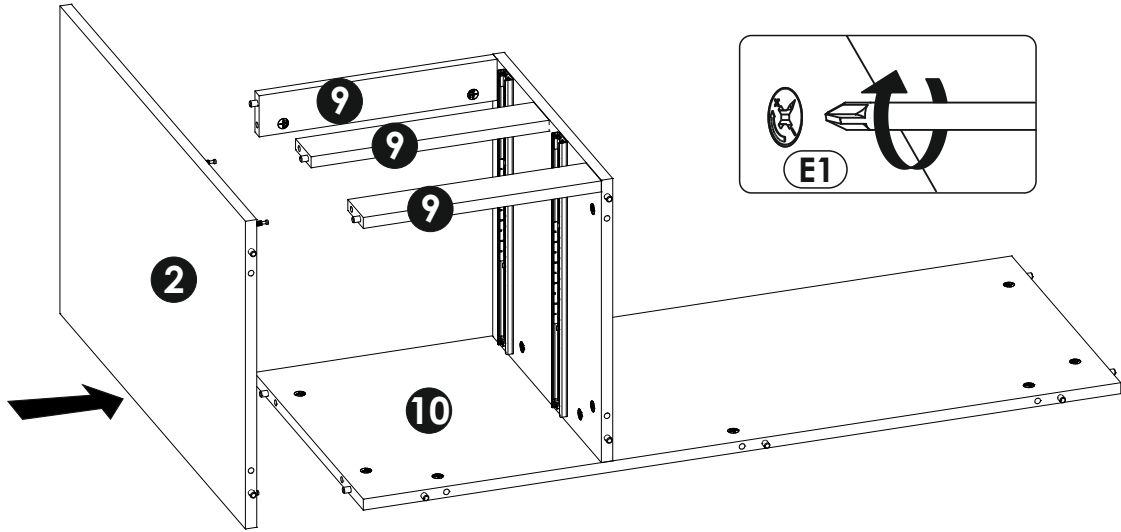
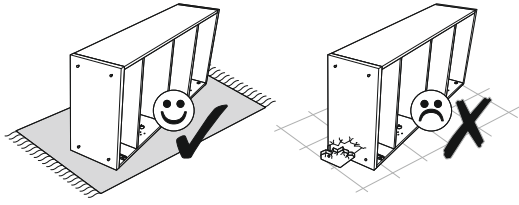




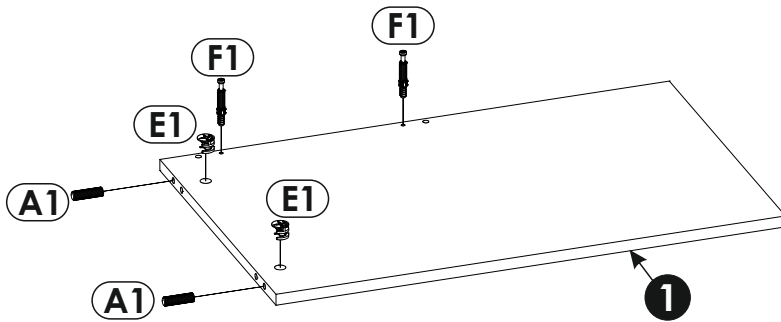
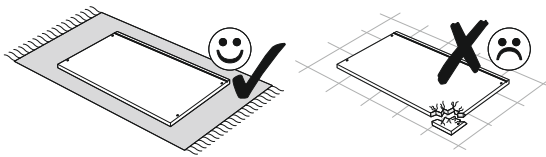




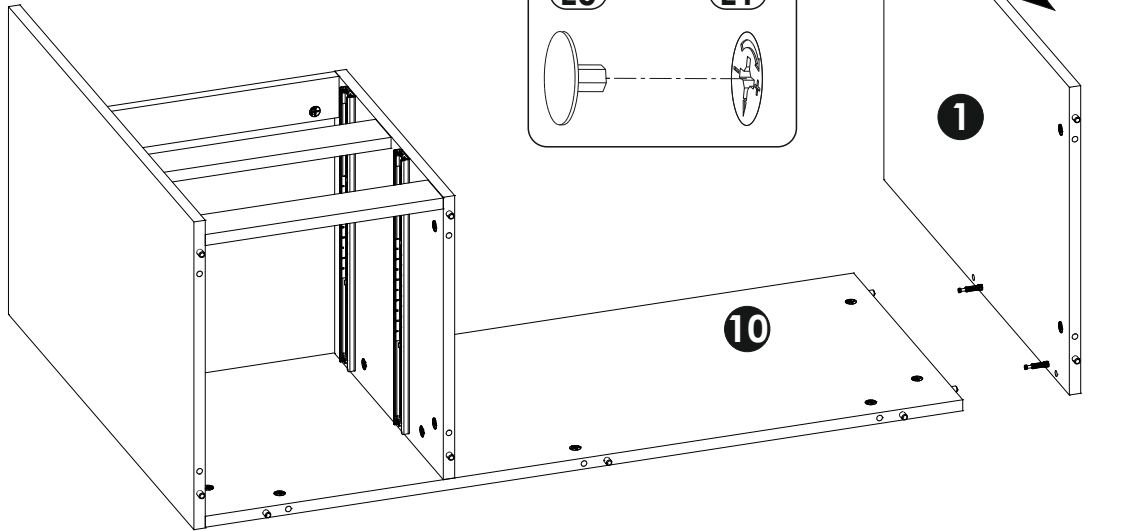
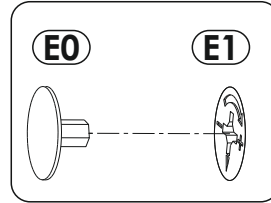
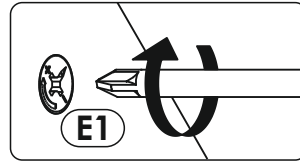
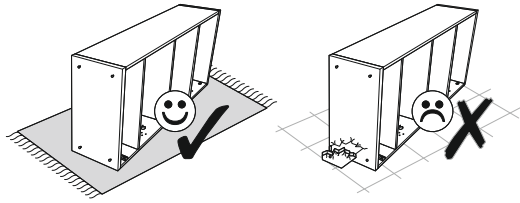
7 ▶



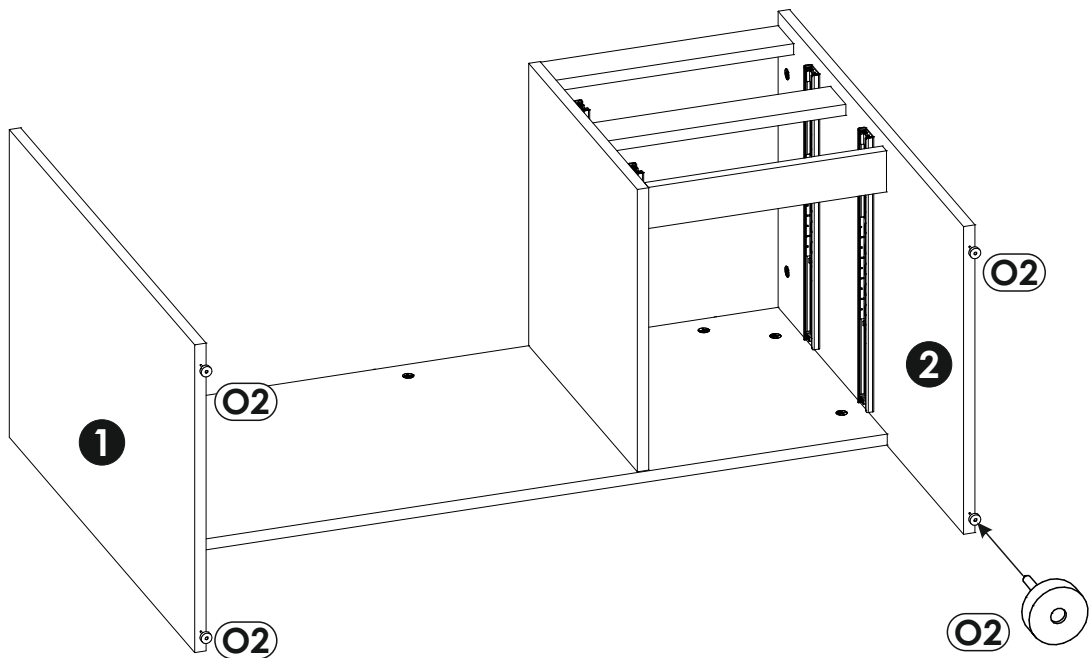
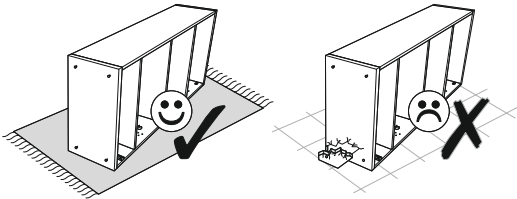
8 ▶



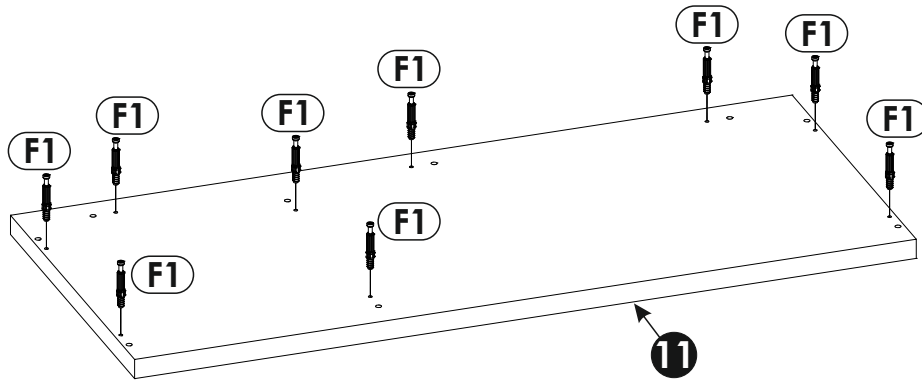
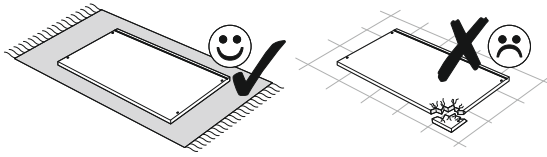
9 ▶



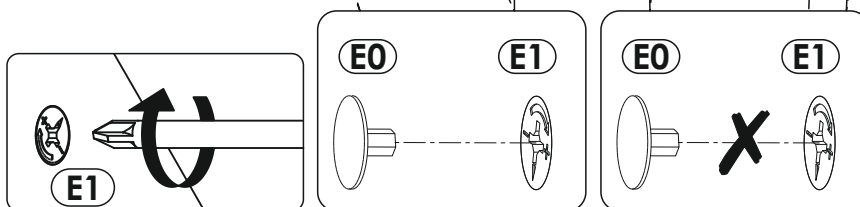
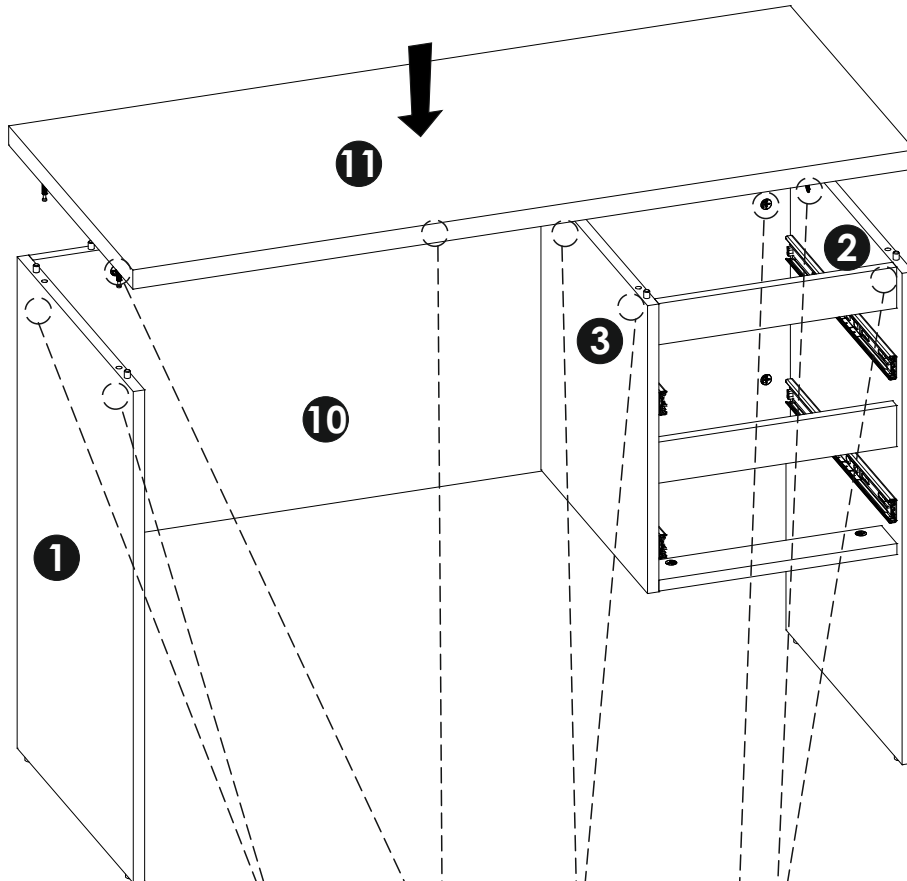
10 ▶



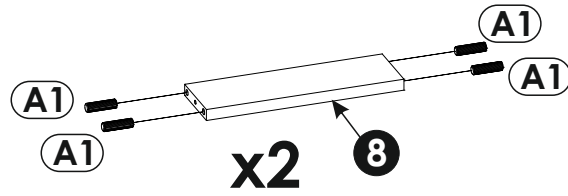
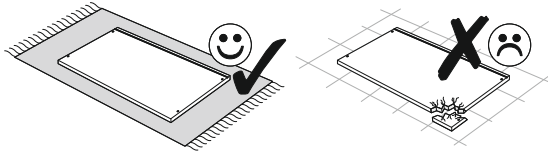
11▶



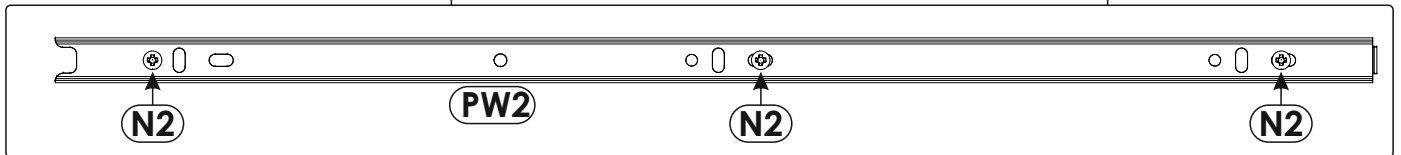
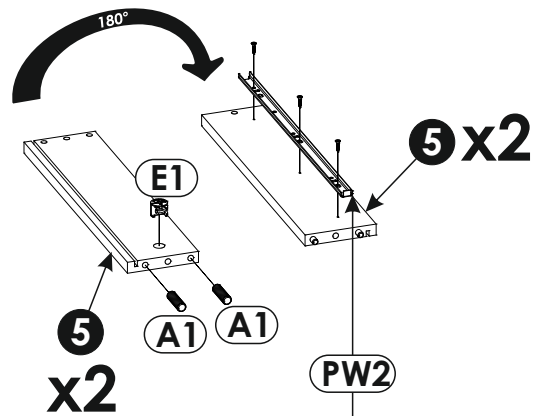
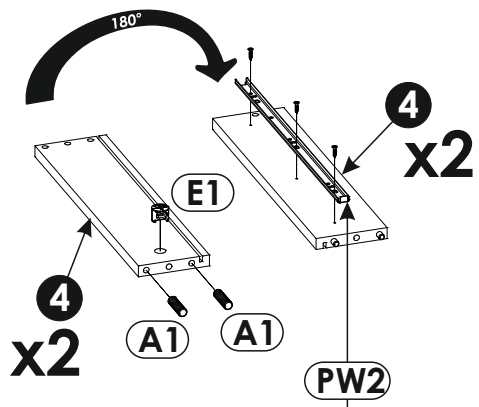
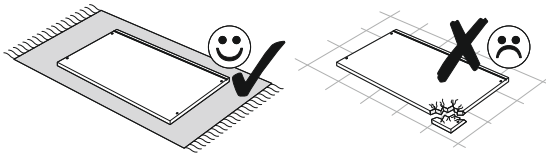
12▶



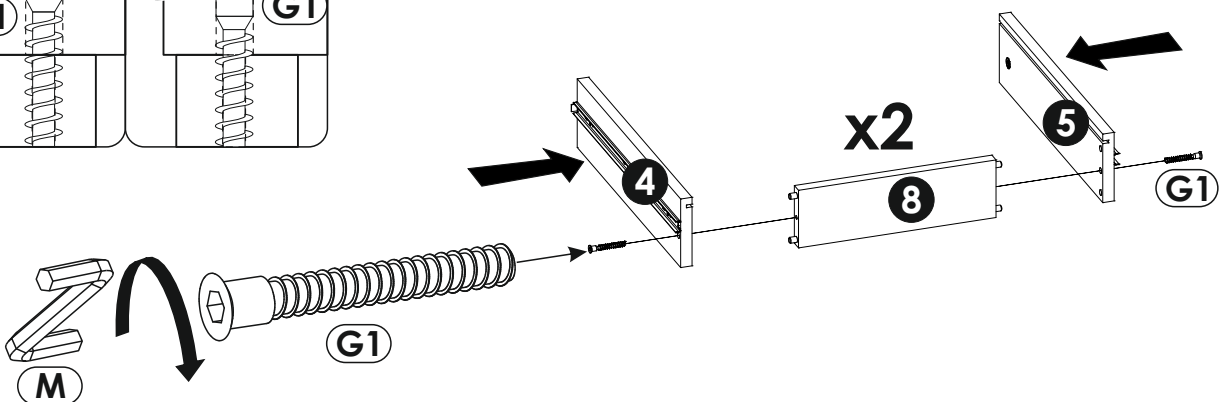
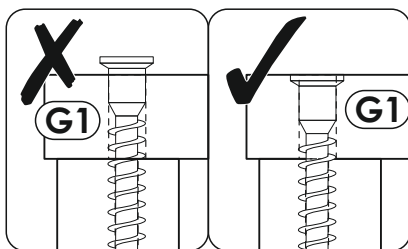
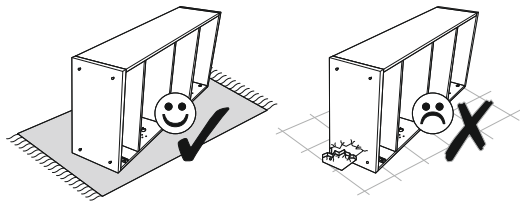
13▶



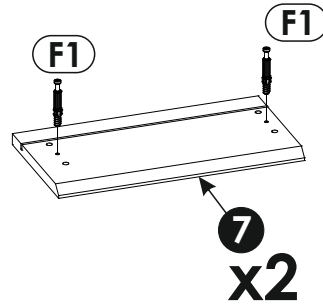
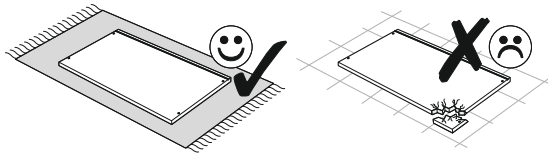
14▶



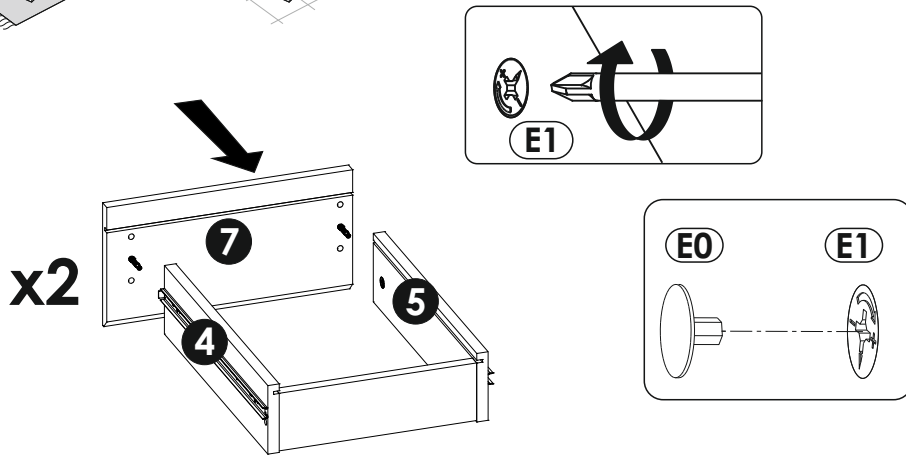
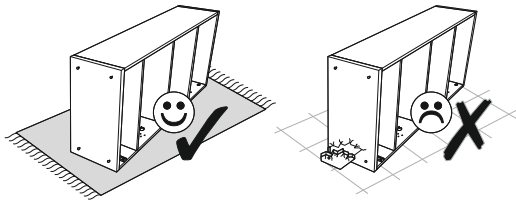
15▶



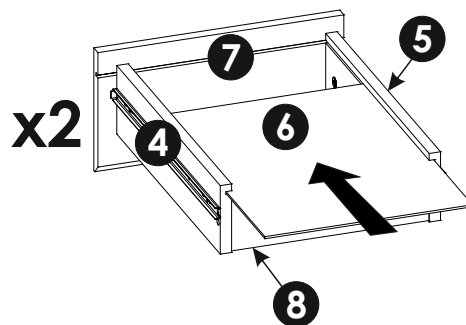
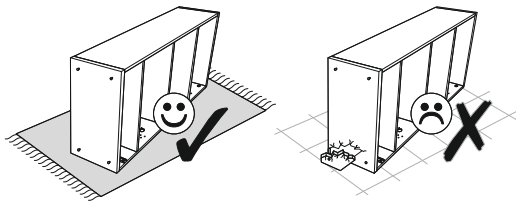
16▶



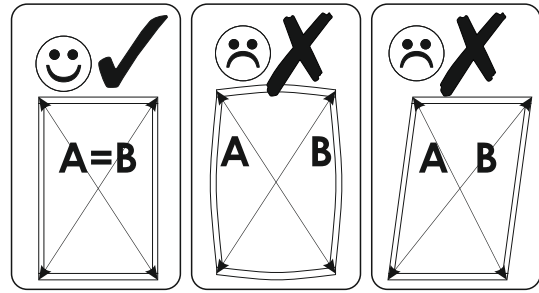
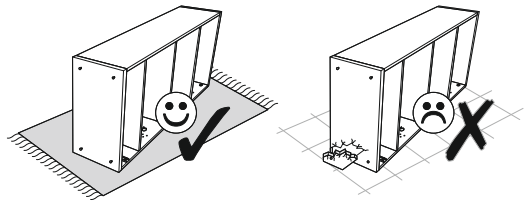
17▶



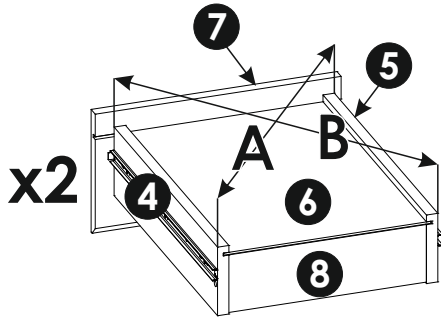
18▶



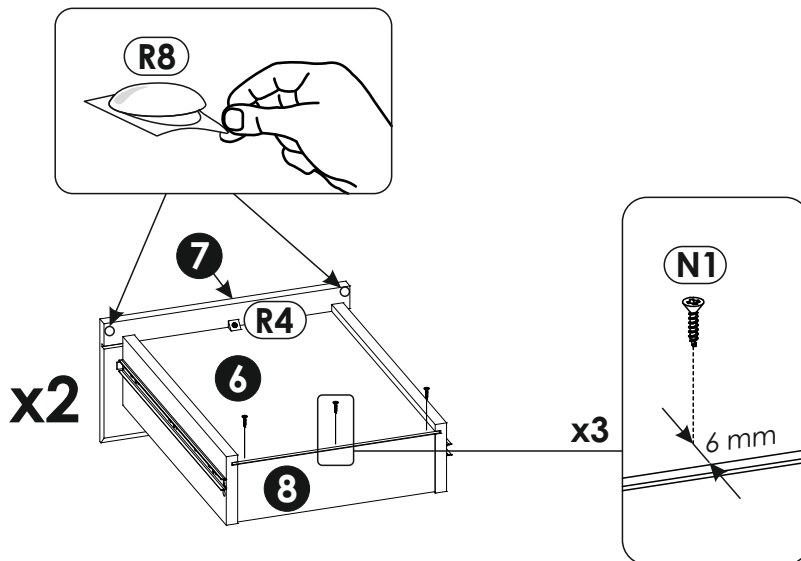
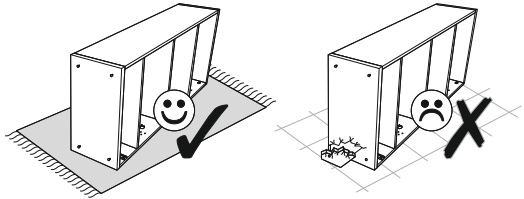
19▶



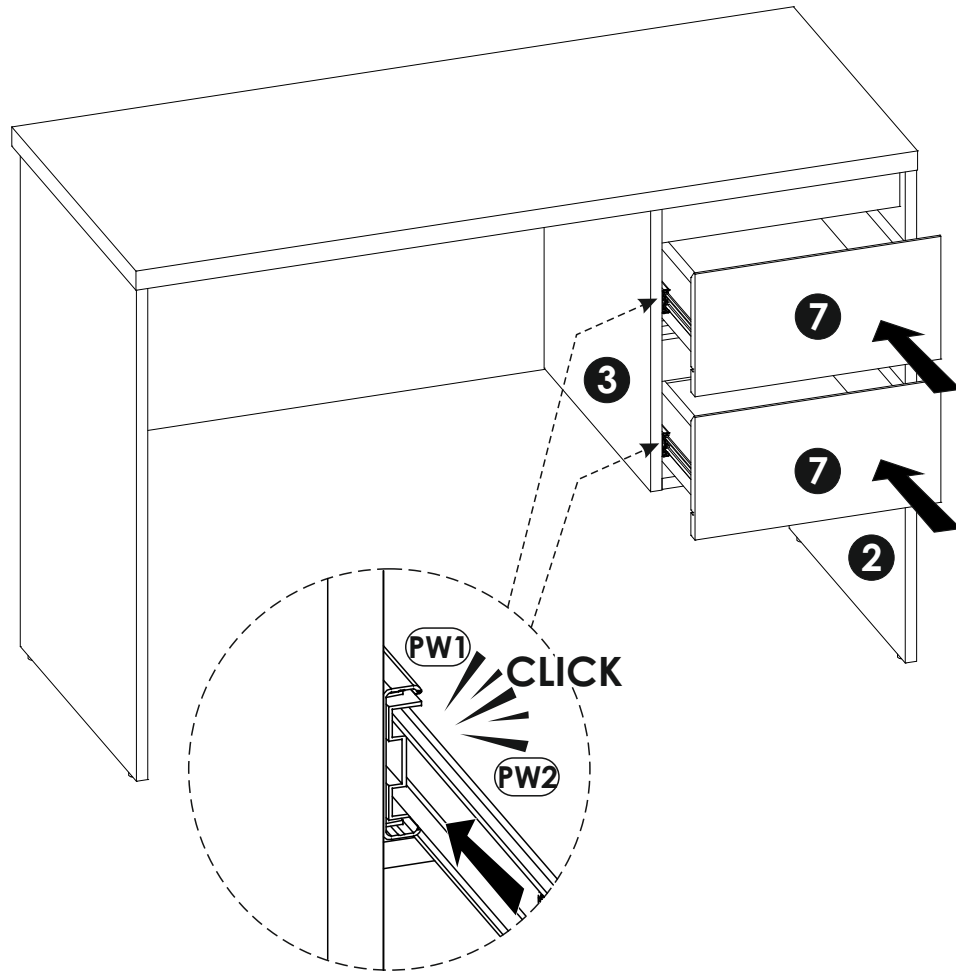
A=B



20▶



21▶



22▶

