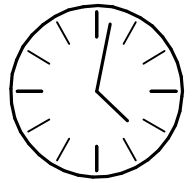
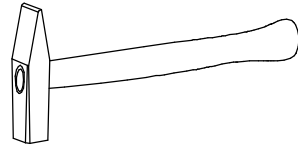
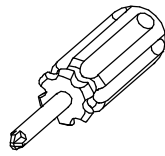
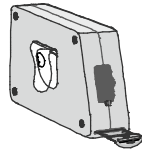
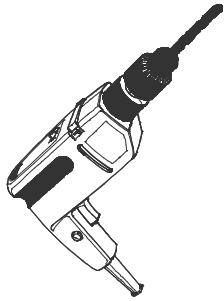
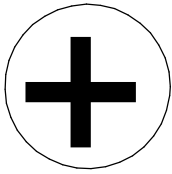
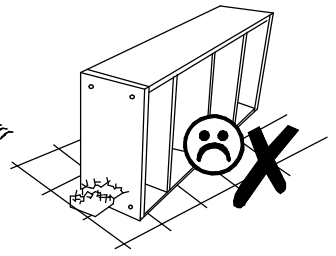
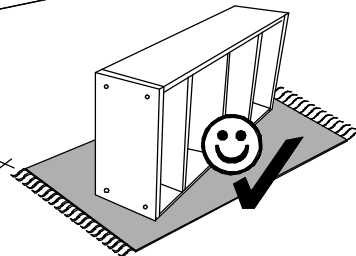
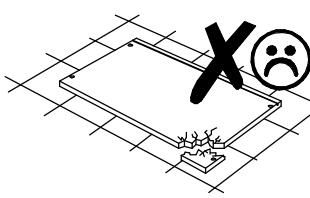
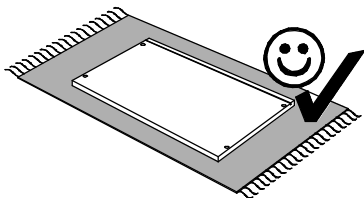
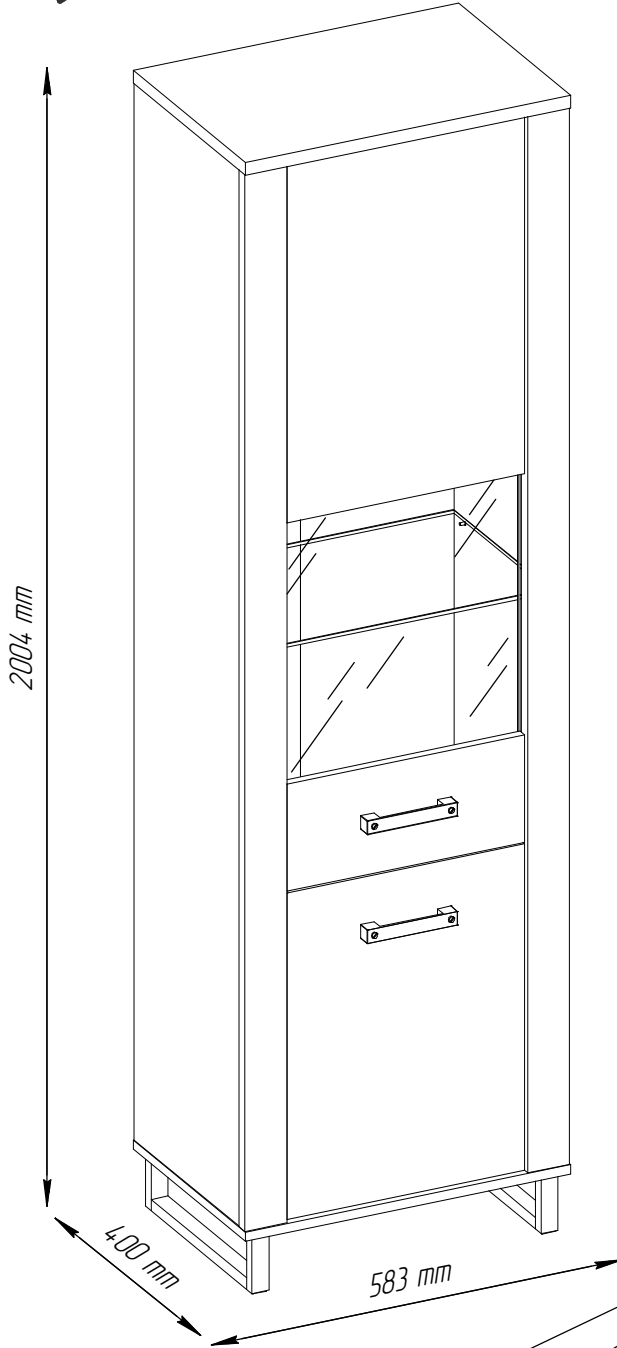
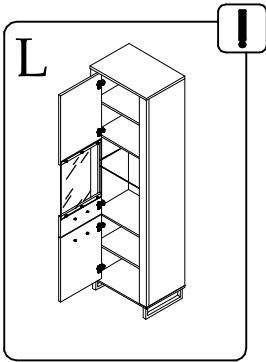
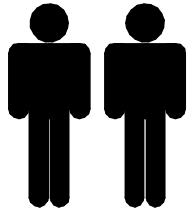
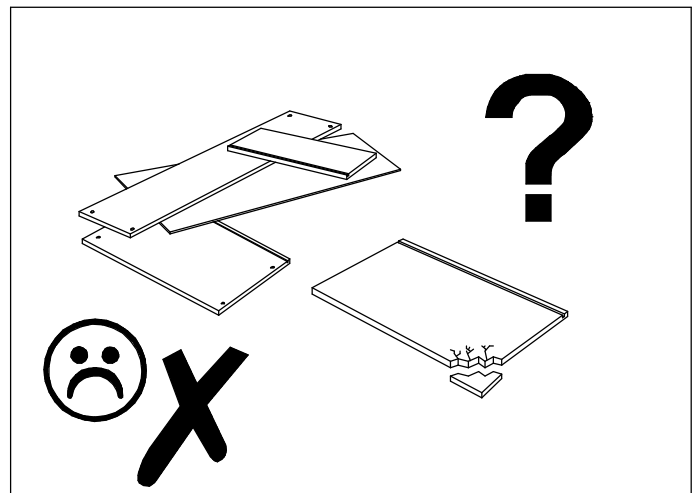
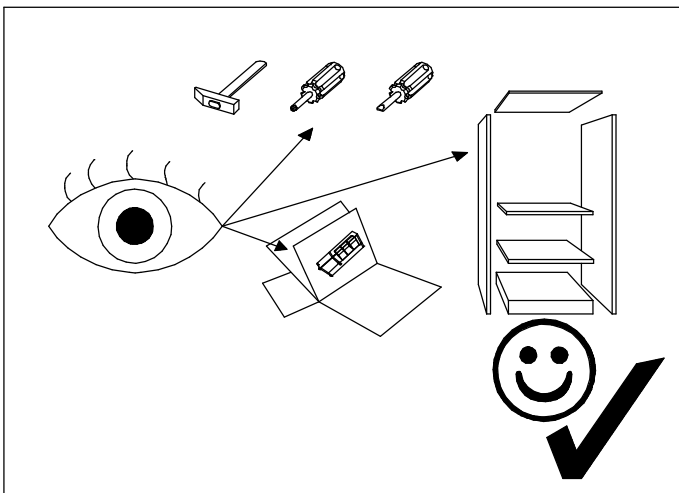
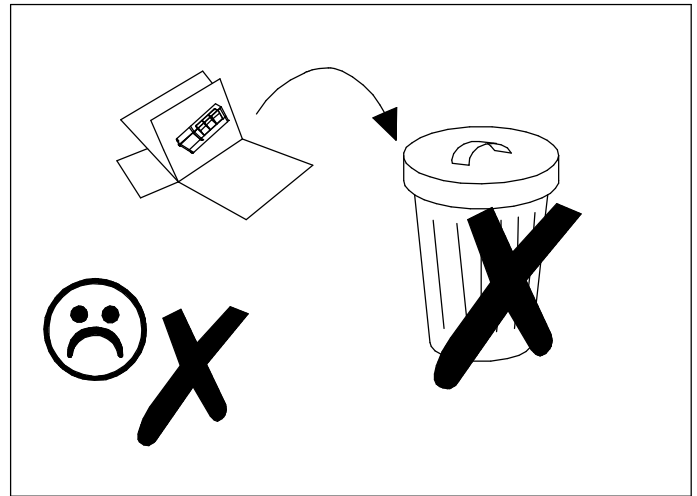
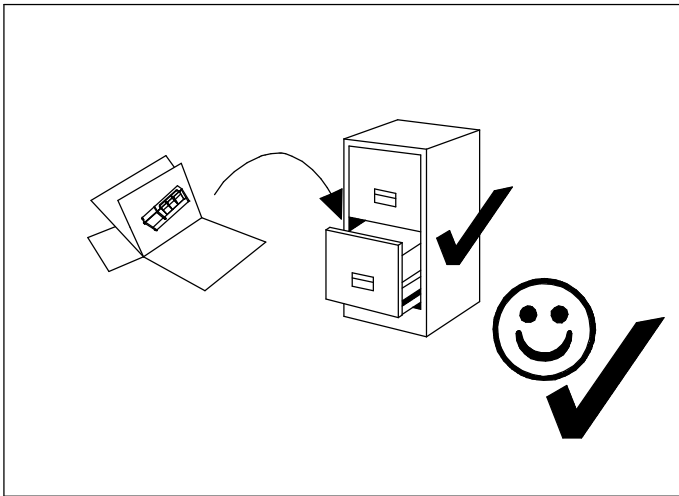
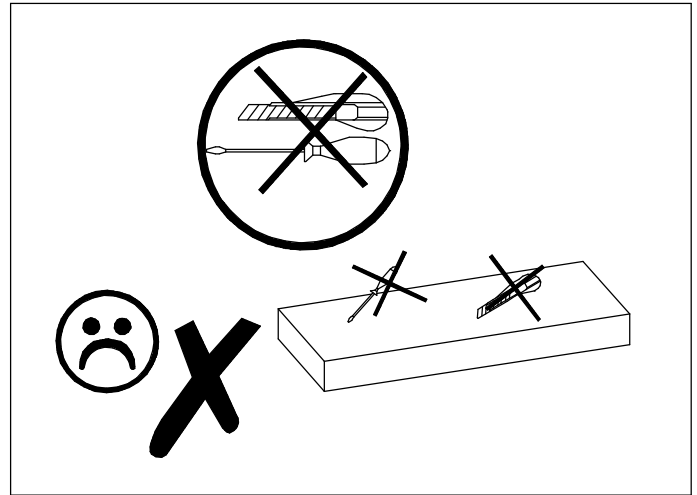
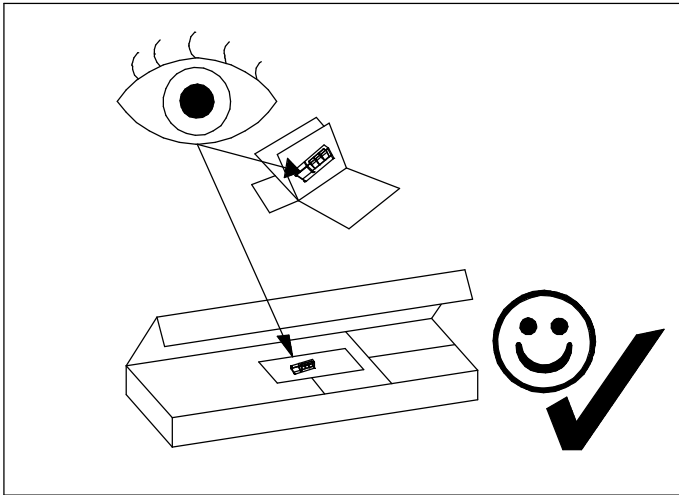


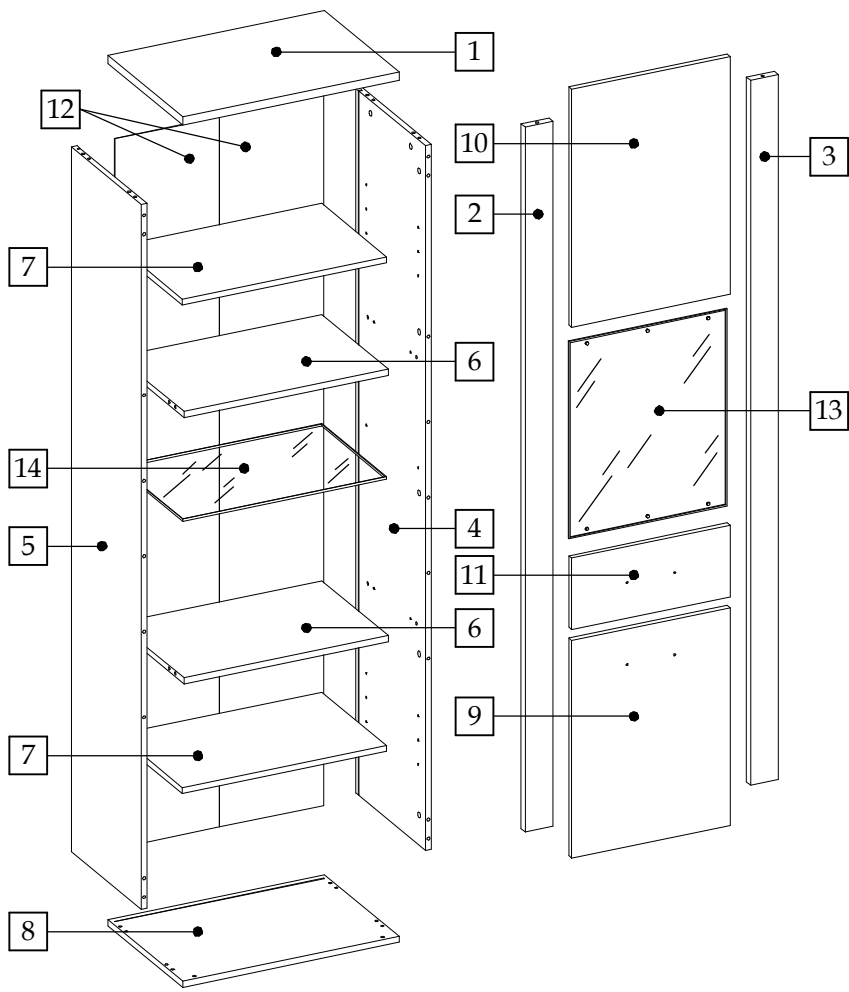
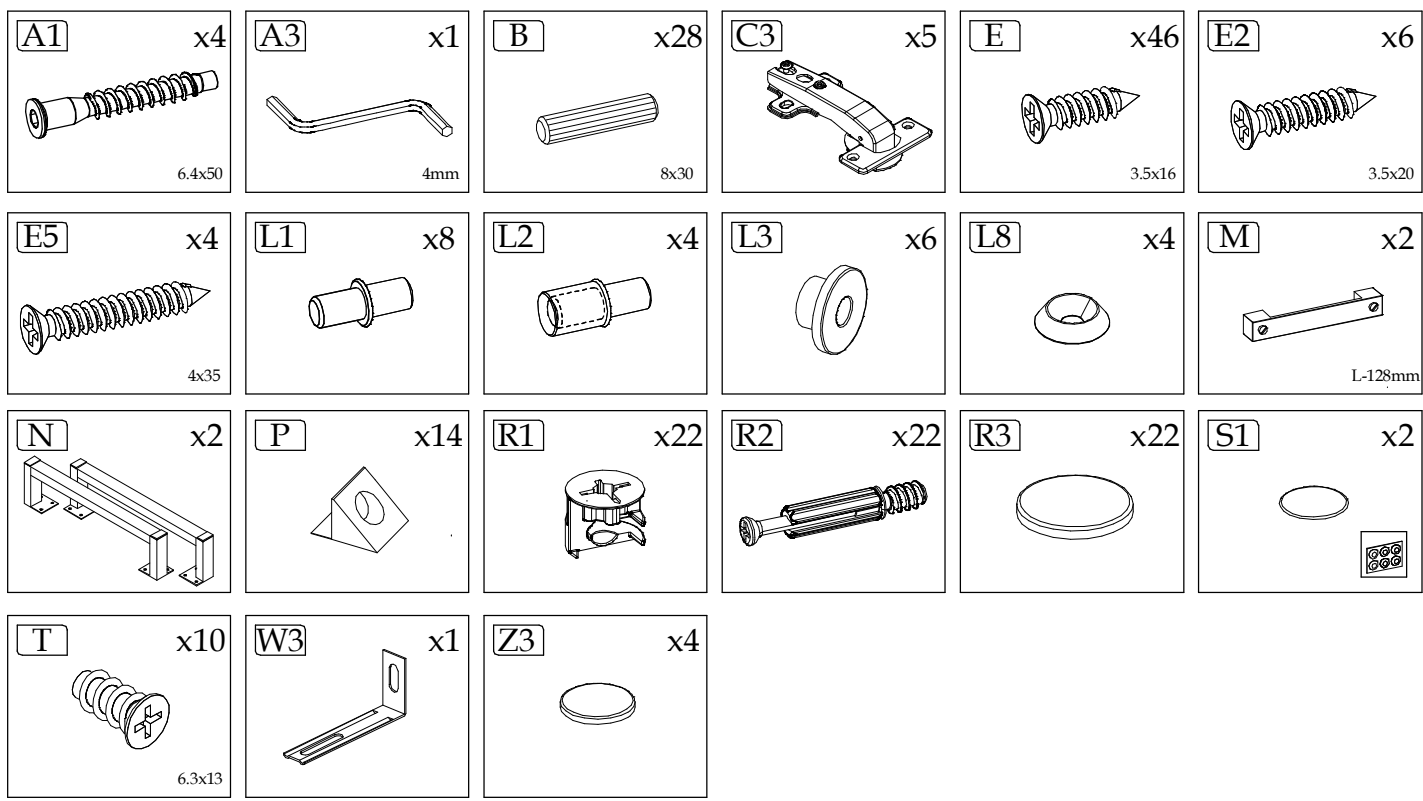
LEEDS A1



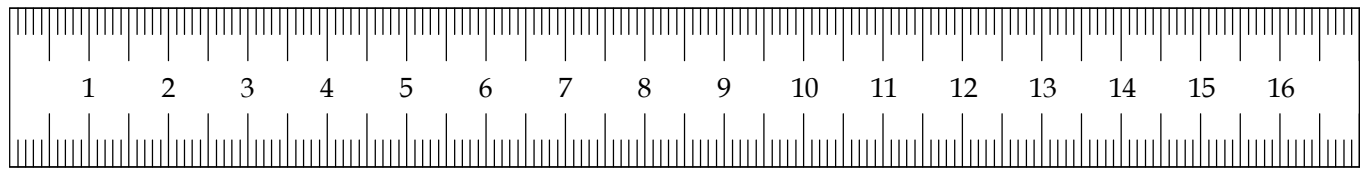
100 min

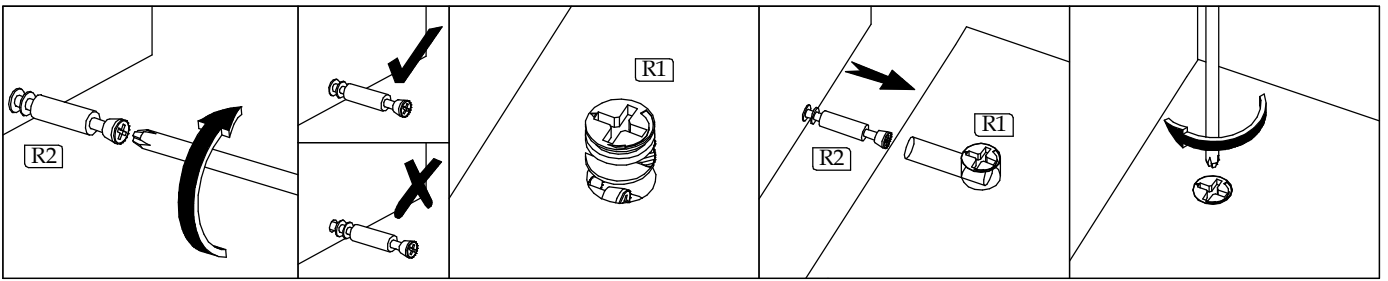




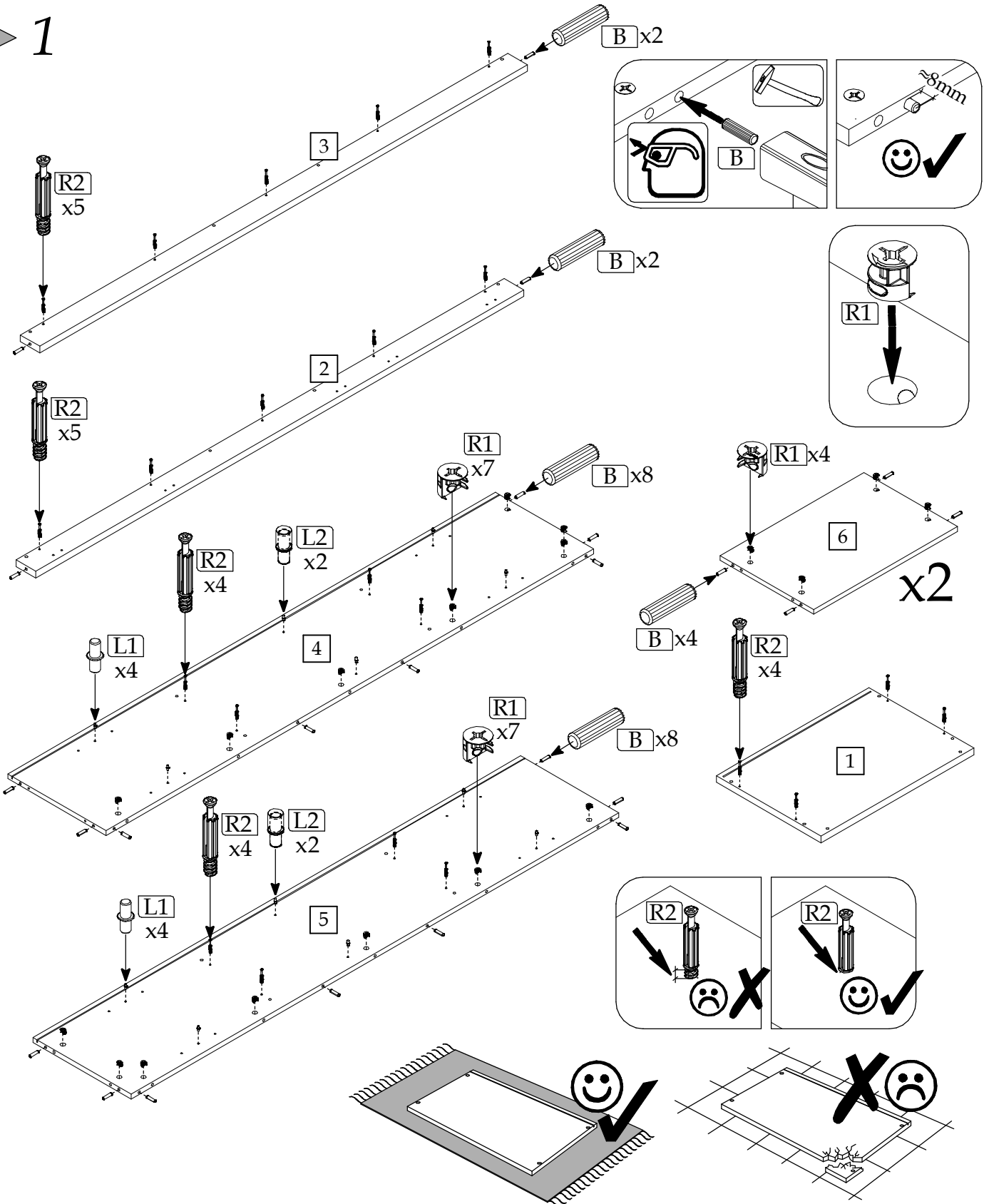


| Element symbol | Measurements | | | | Code | Pack |
|----------------|--------------|-----|----|---|-----------|------|
| | 1 | 2 | 3 | 4 | | |
| 1 | 583 | 400 | 22 | 1 | 1003 | 1/4 |
| 2 | 1861 | 75 | 22 | 1 | 1004 | 2/4 |
| 3 | 1861 | 75 | 22 | 1 | 1007 | 2/4 |
| 4 | 1861 | 375 | 16 | 1 | 1008 | 2/4 |
| 5 | 1861 | 375 | 16 | 1 | 1009 | 2/4 |
| 6 | 549 | 356 | 16 | 2 | 1034-1054 | 1/4 |
| 7 | 549 | 345 | 16 | 2 | N/A | 1/4 |
| 8 | 583 | 400 | 16 | 1 | 1002_2002 | 1/4 |
| 9 | 426 | 575 | 16 | 1 | 1005 | 2/4 |
| 10 | 426 | 628 | 16 | 1 | 1053 | 2/4 |
| 11 | 426 | 189 | 16 | 1 | 1055 | 2/4 |
| 12 | 1875 | 281 | 3 | 2 | N/A | 2/4 |
| 13 | 520 | 426 | 4 | 1 | N/A | 3/4 |
| 14 | 548 | 345 | 6 | 1 | N/A | 4/4 |

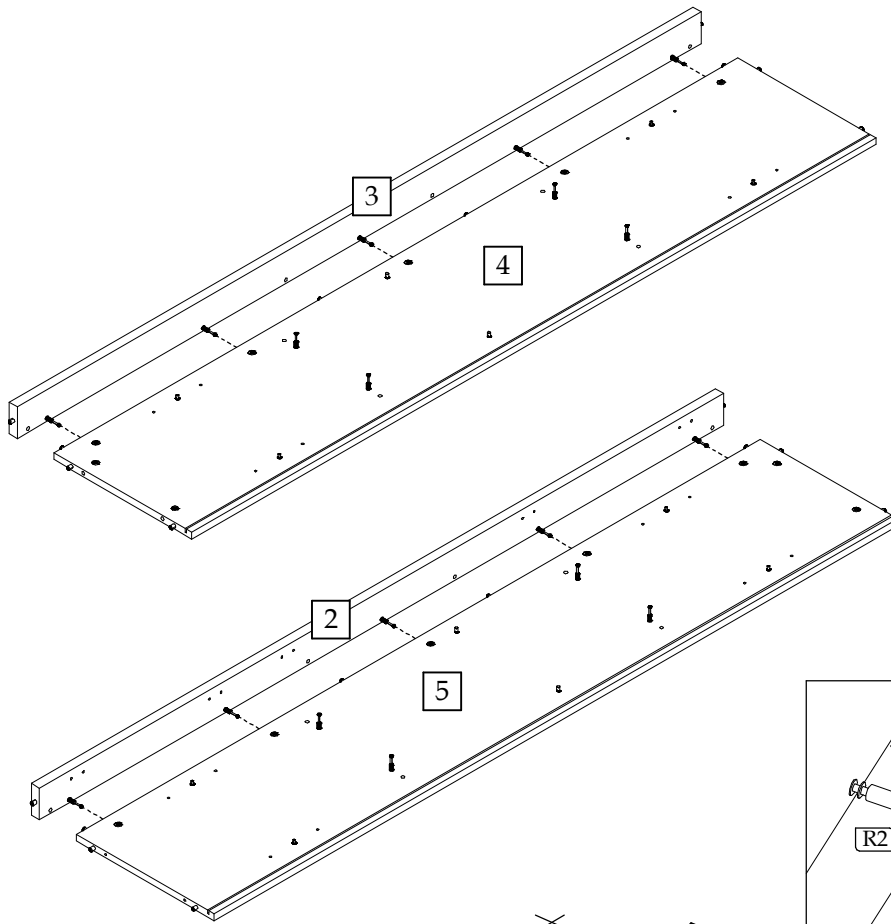




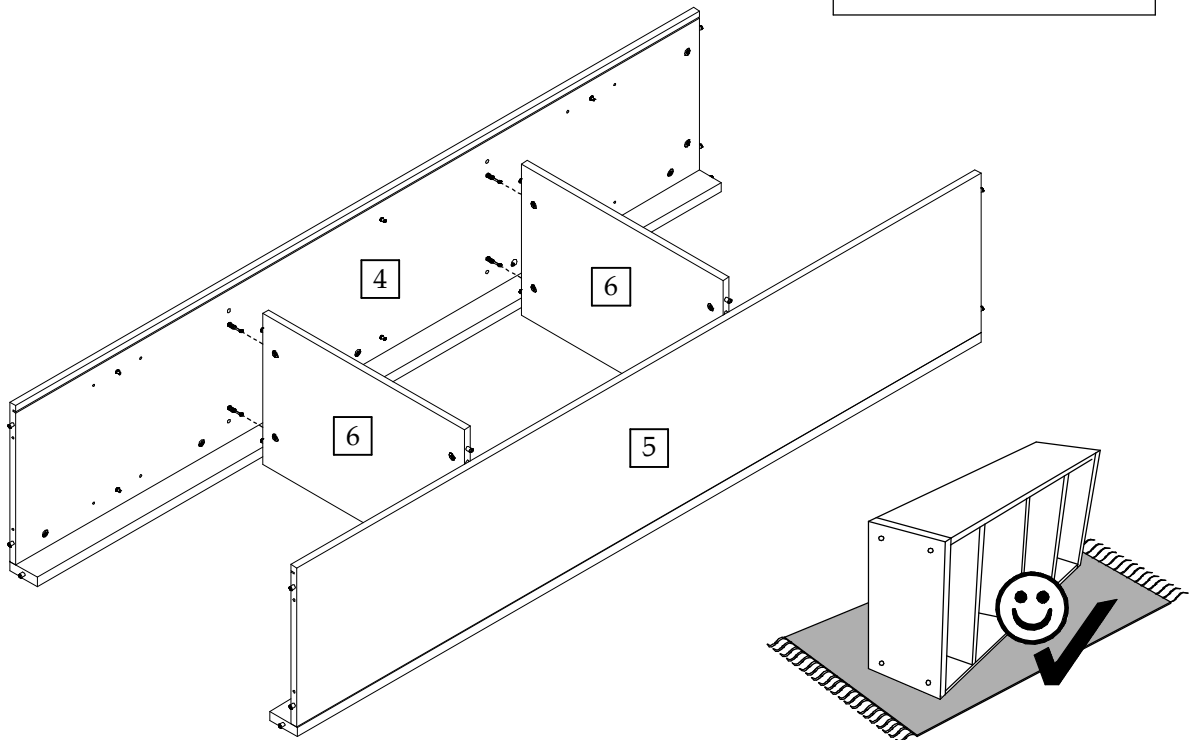
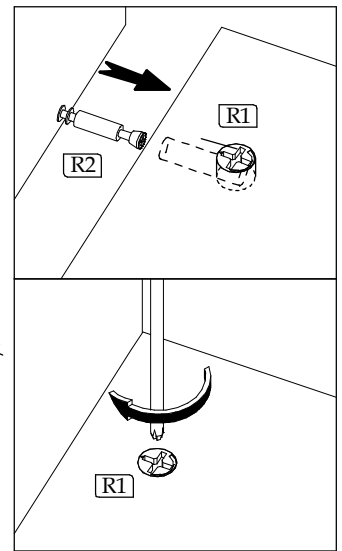
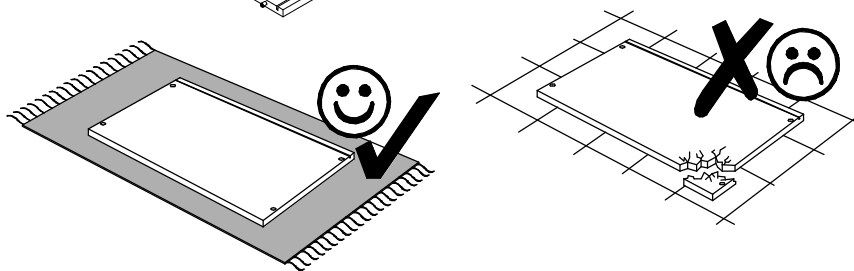
▶ 1



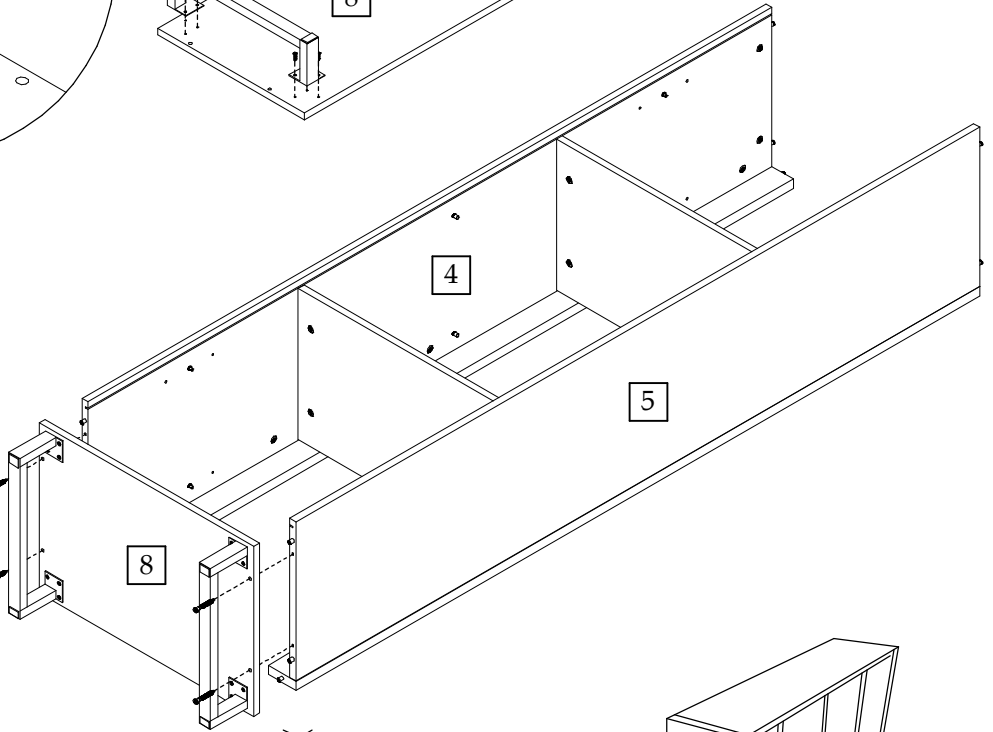
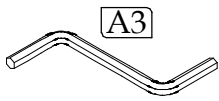
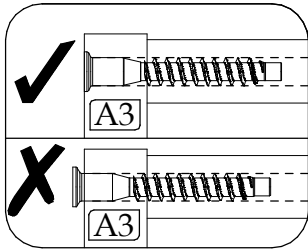
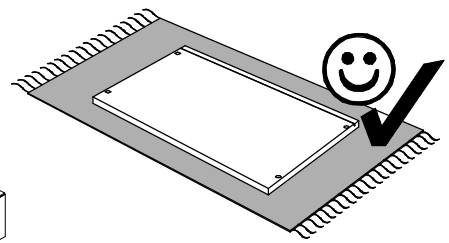
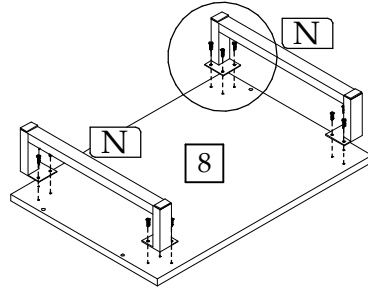
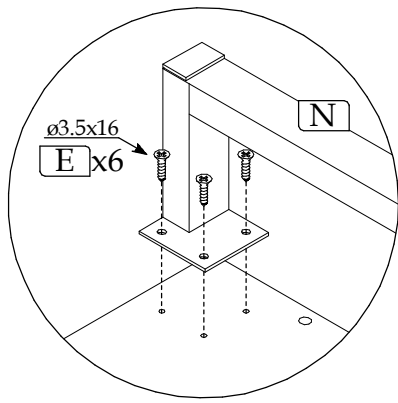
▶ 2



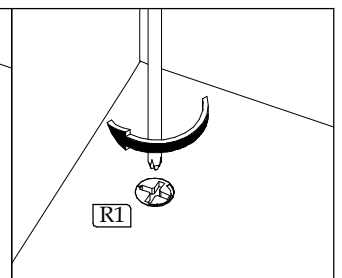
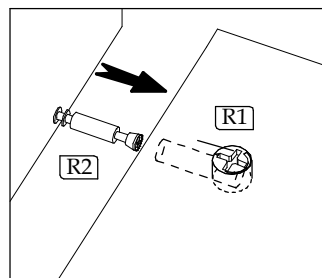
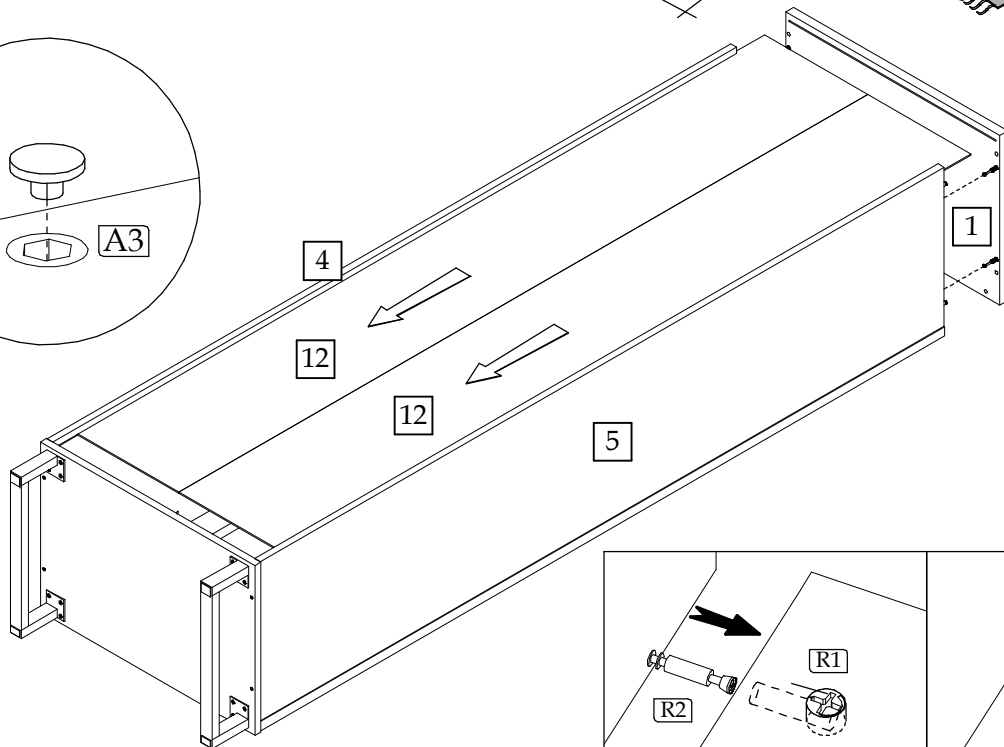
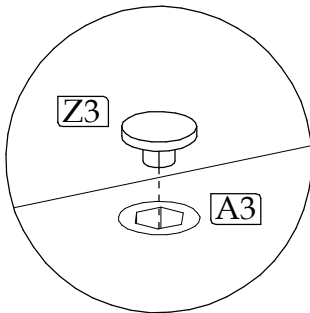
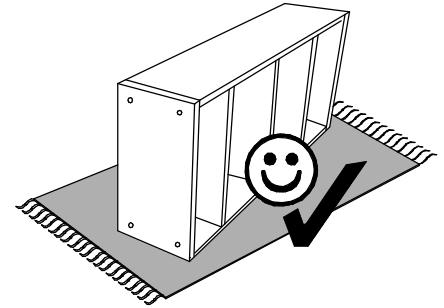
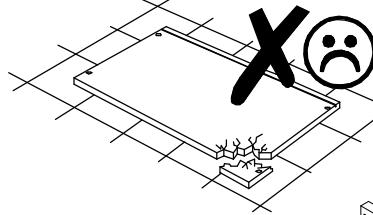
▶ 3



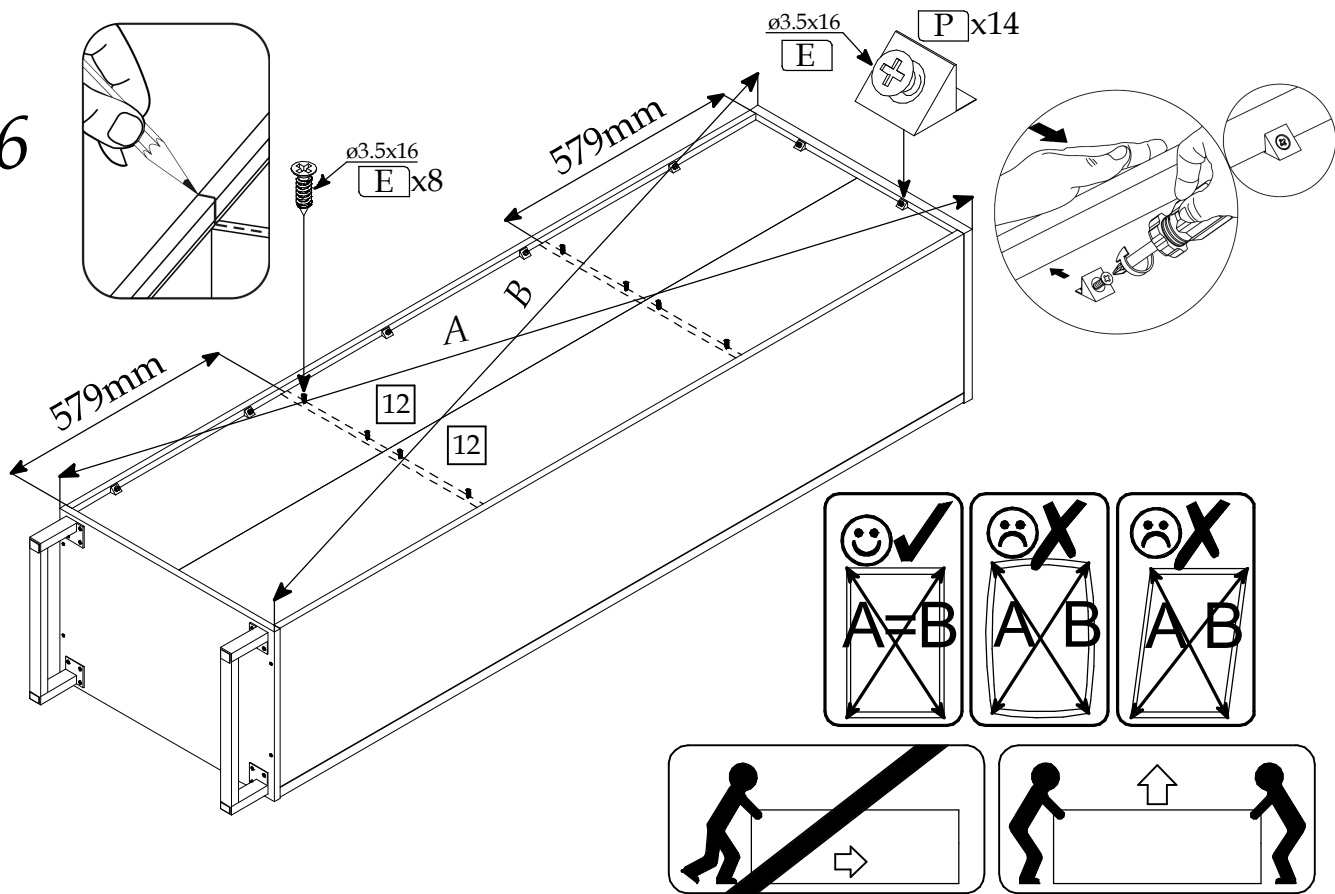
▶ 4



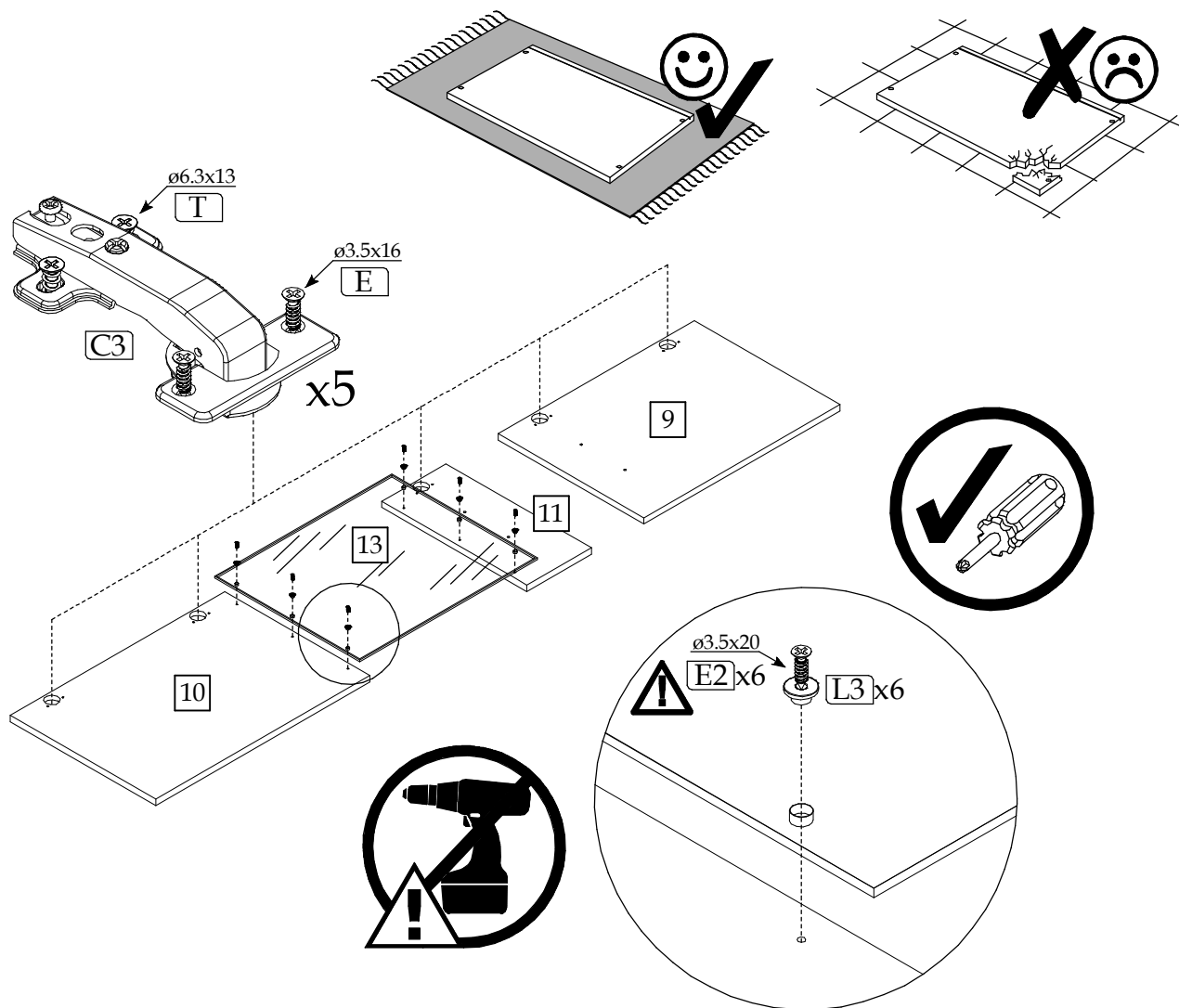
▶ 5



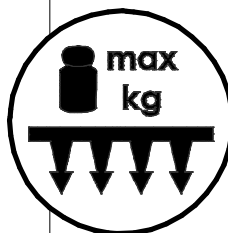
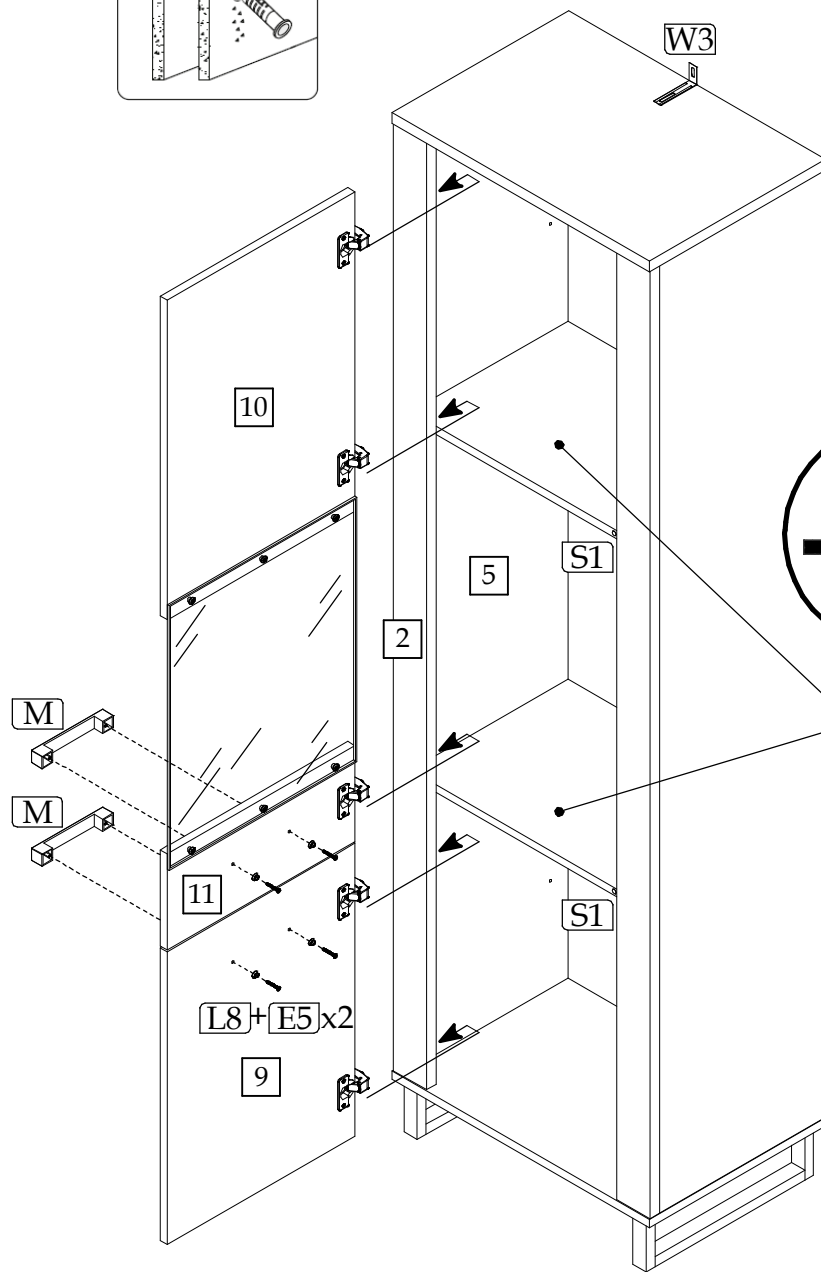
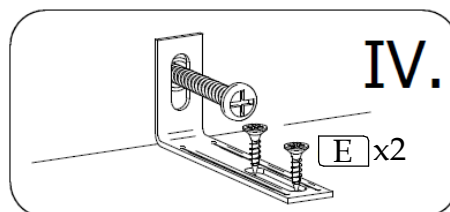
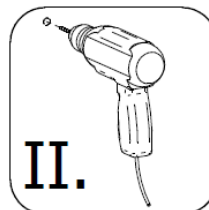
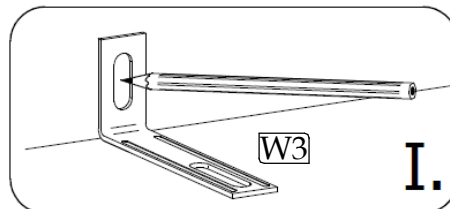
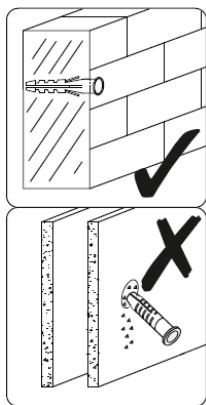
▶ 6



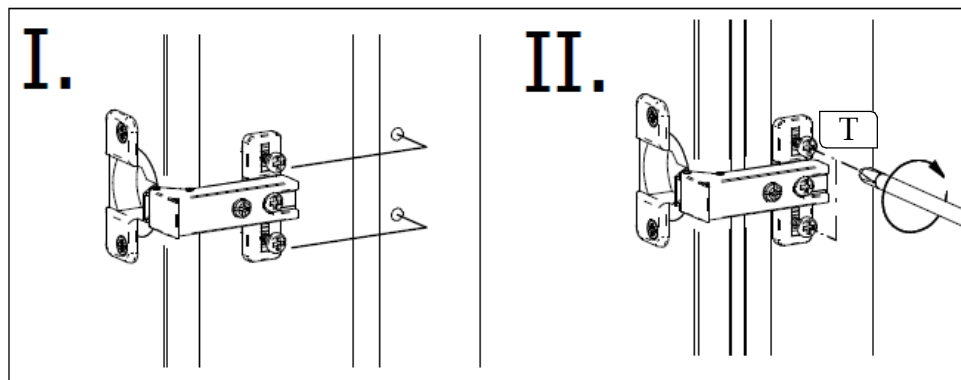
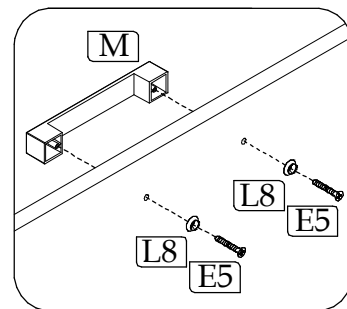
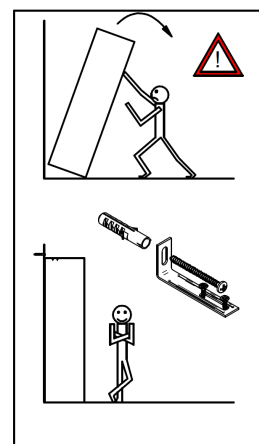
▶ 7



8



max
10 kg



▶ 9

