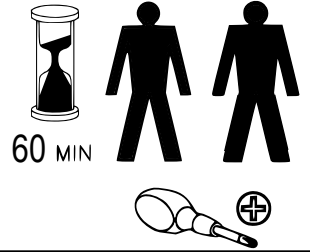
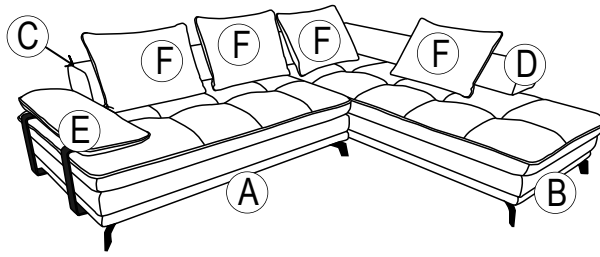
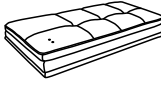
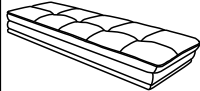

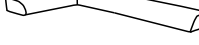

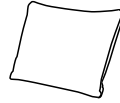



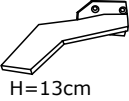



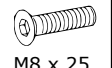
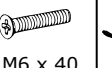






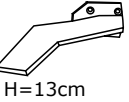
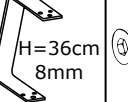

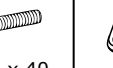
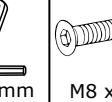

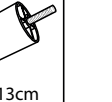

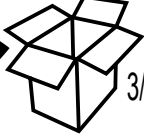




FLORENCE RELAX

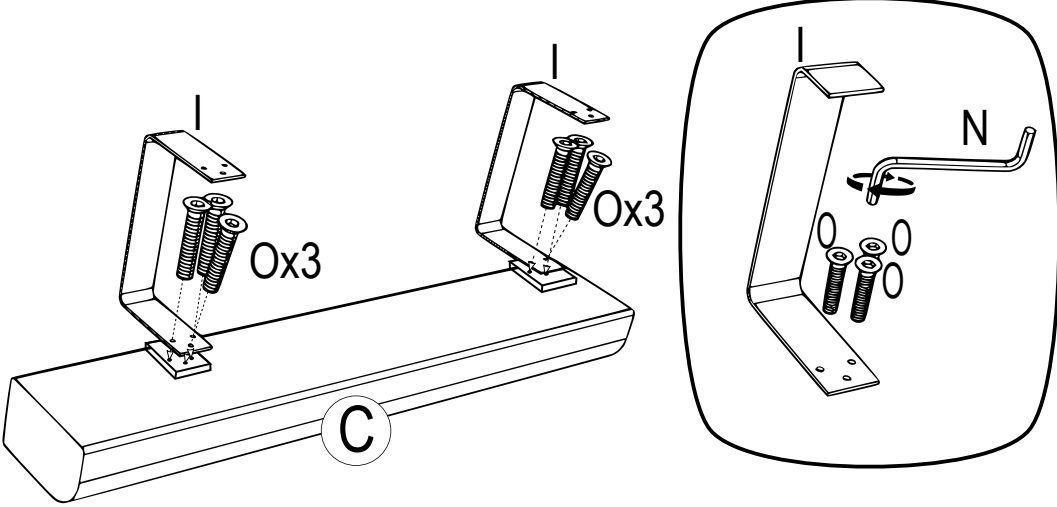


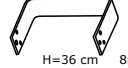
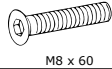

A- 1st 	B- 1st 	C- 1st 	D- 1st 	E- 1st 	F- 4st 
 1/5	 2/5	 3/5			

G- 3st  H=13cm	H- 2st  H=36cm 5mm	I- 2st  H=36cm 8mm	J- 12st  M8 x 40	K- 6st  M8 x 25	L- 12st  M6 x 40	M- 1st  AC/DC	N- 1st  5mm	O- 6st  M8 x 60	P- 1st  H=13cm
 4/5 									

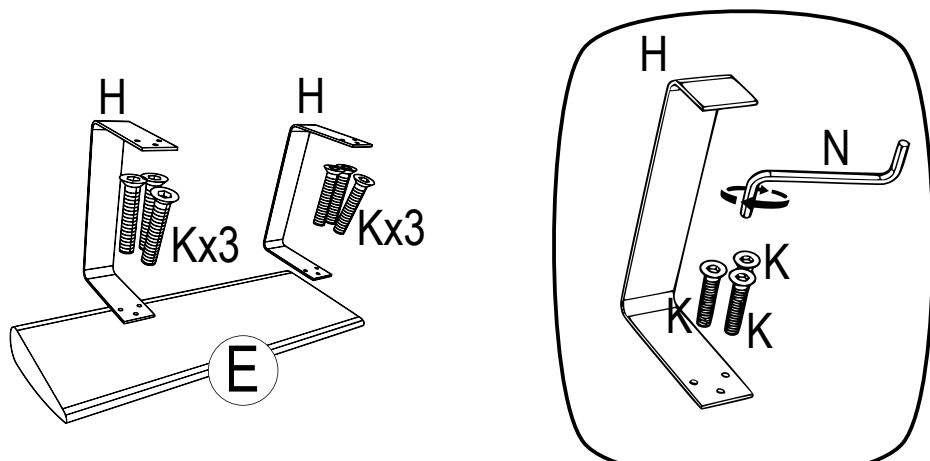
G- 3st  H=13cm	I- 3st  H=36cm 8mm	J- 9st  M8 x 40	L- 12st  M6 x 40	N- 1st  5mm	O- 9st  M8 x 60	P- 1st  H=13cm	  3/5  4/5
 5/5							

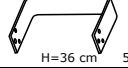
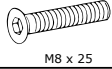
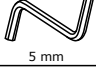
2



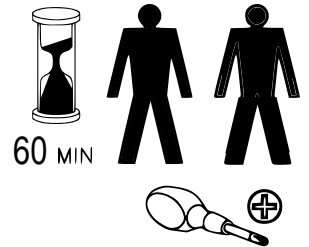
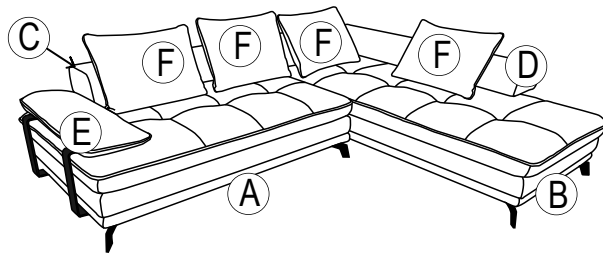
I		x2
O		x6
N		x1

3

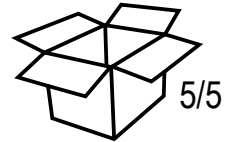
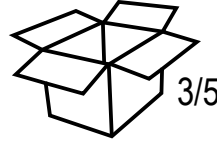
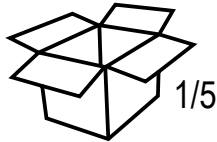


H		x2
K		x6
N		x1

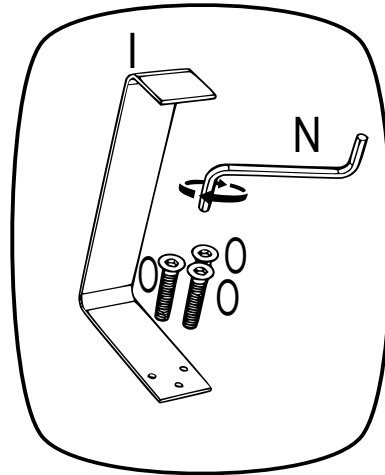
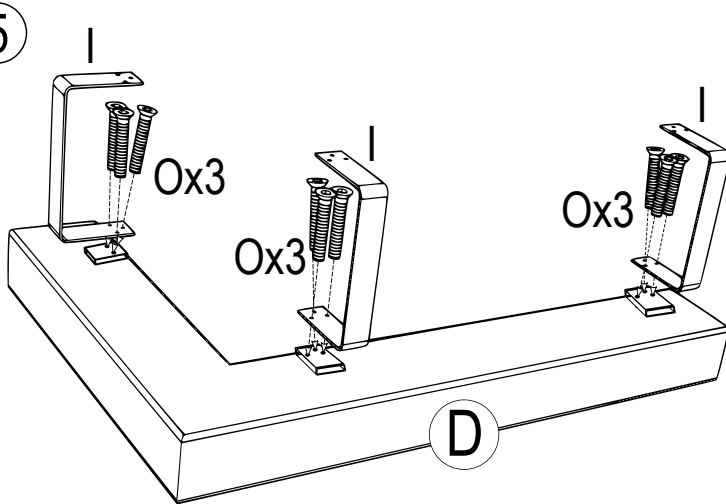
FLORENCE RELAX



4



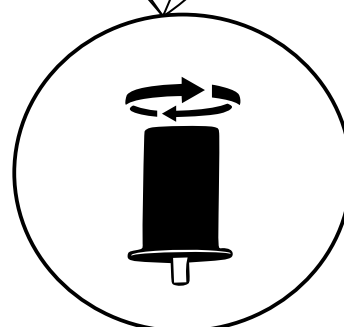
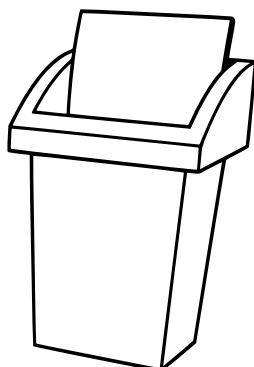
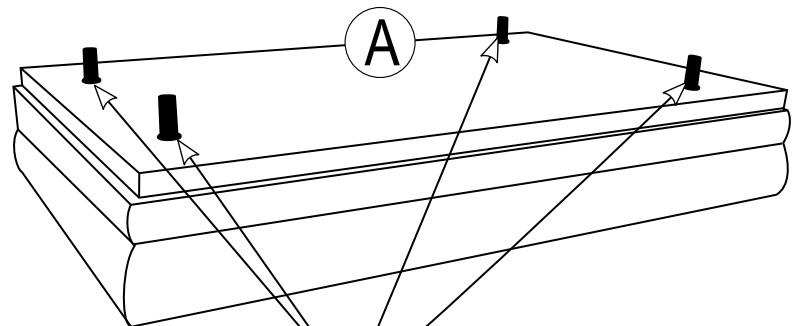
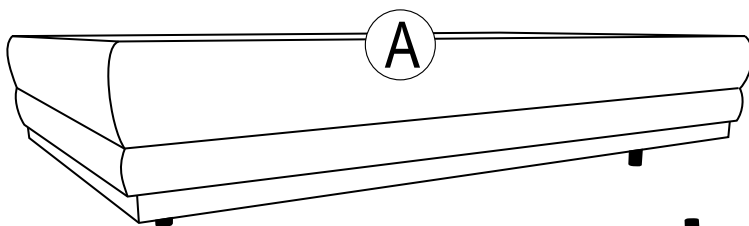
5



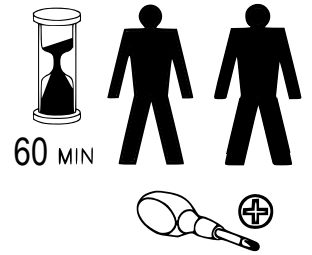
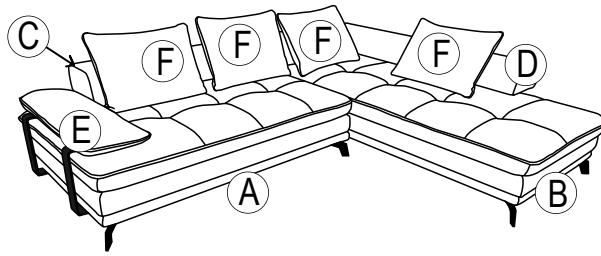
I		x3
O		x9
N		x1

H=36 cm
M8 x 60
5 mm

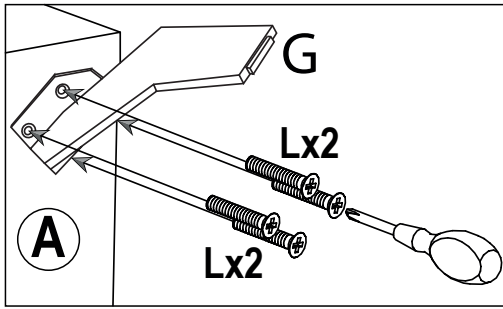
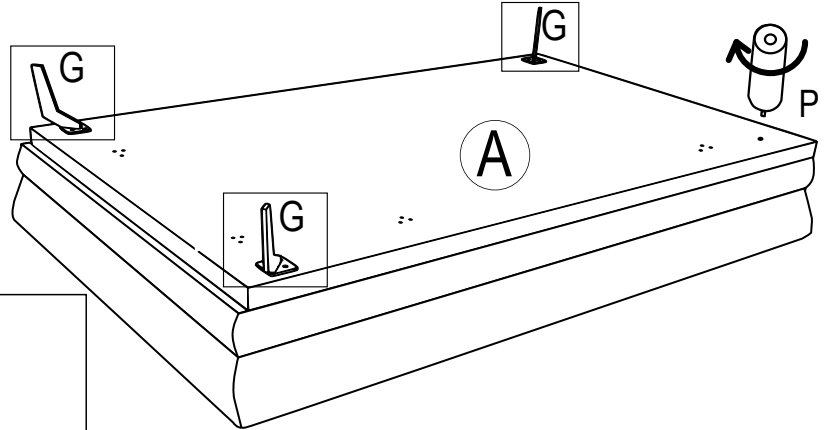
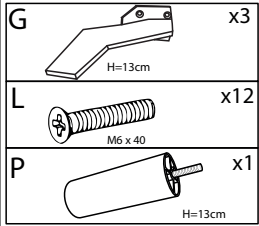
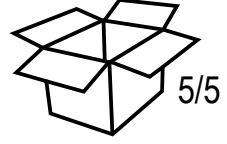
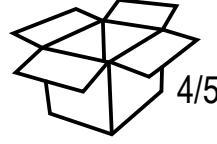
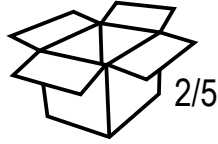
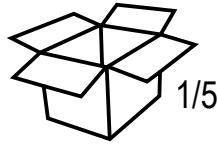
6



FLORENCE RELAX

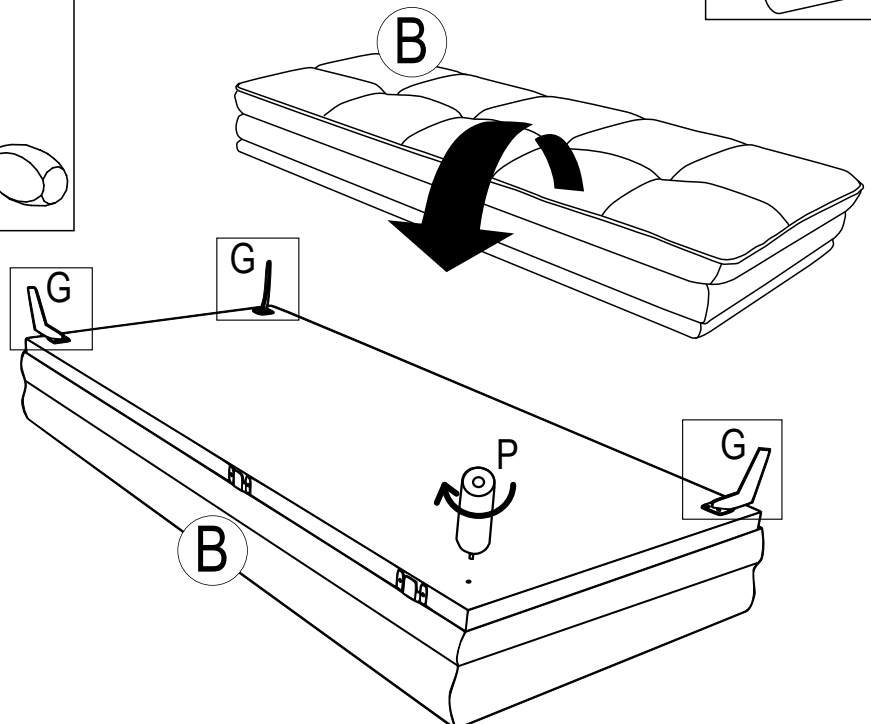
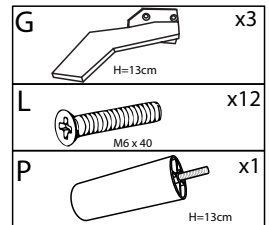
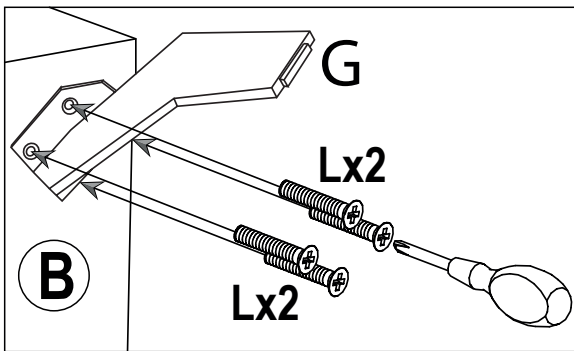


7

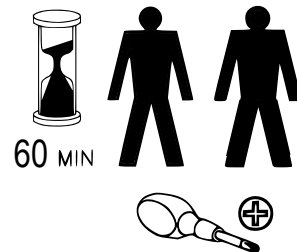
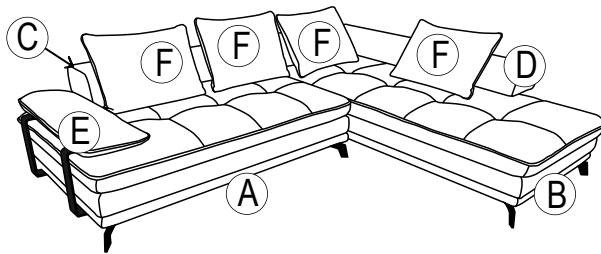


8

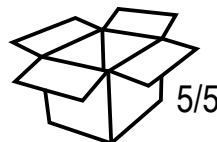
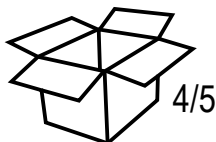
9



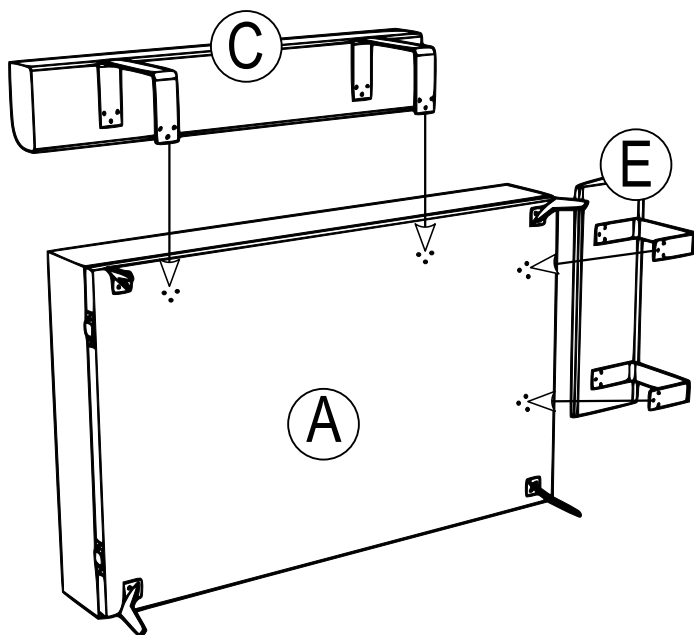
FLORENCE RELAX

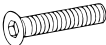



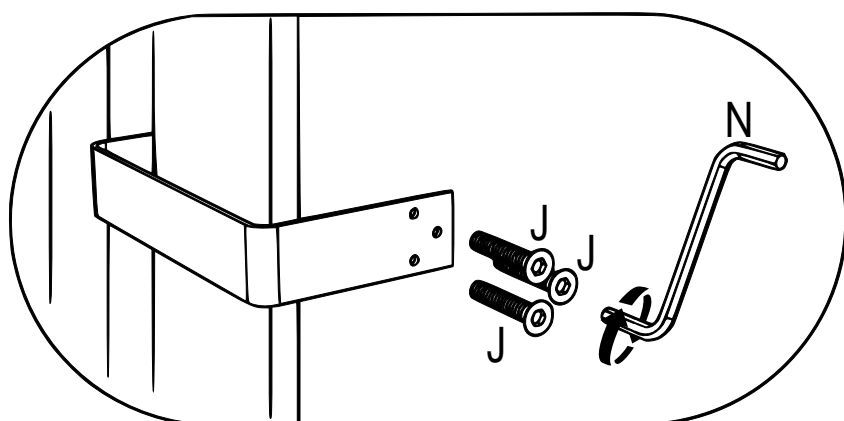
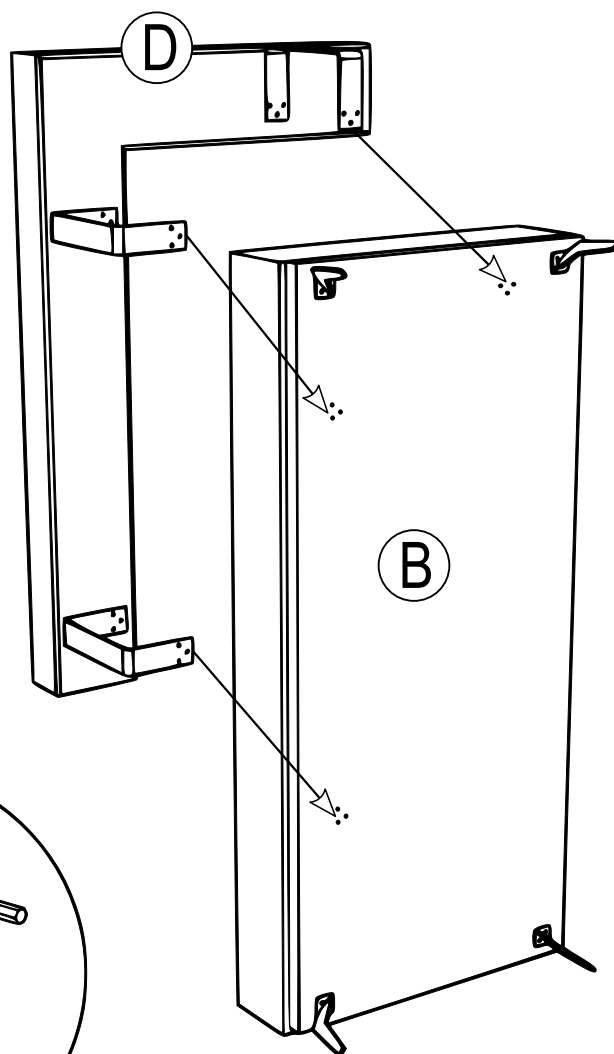
10



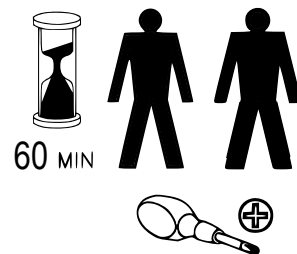
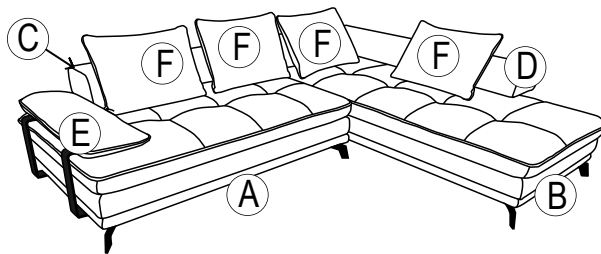
11



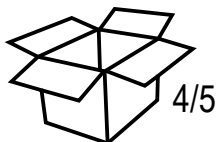
J		x21
	M8 x 40	
N		x1
	5 mm	



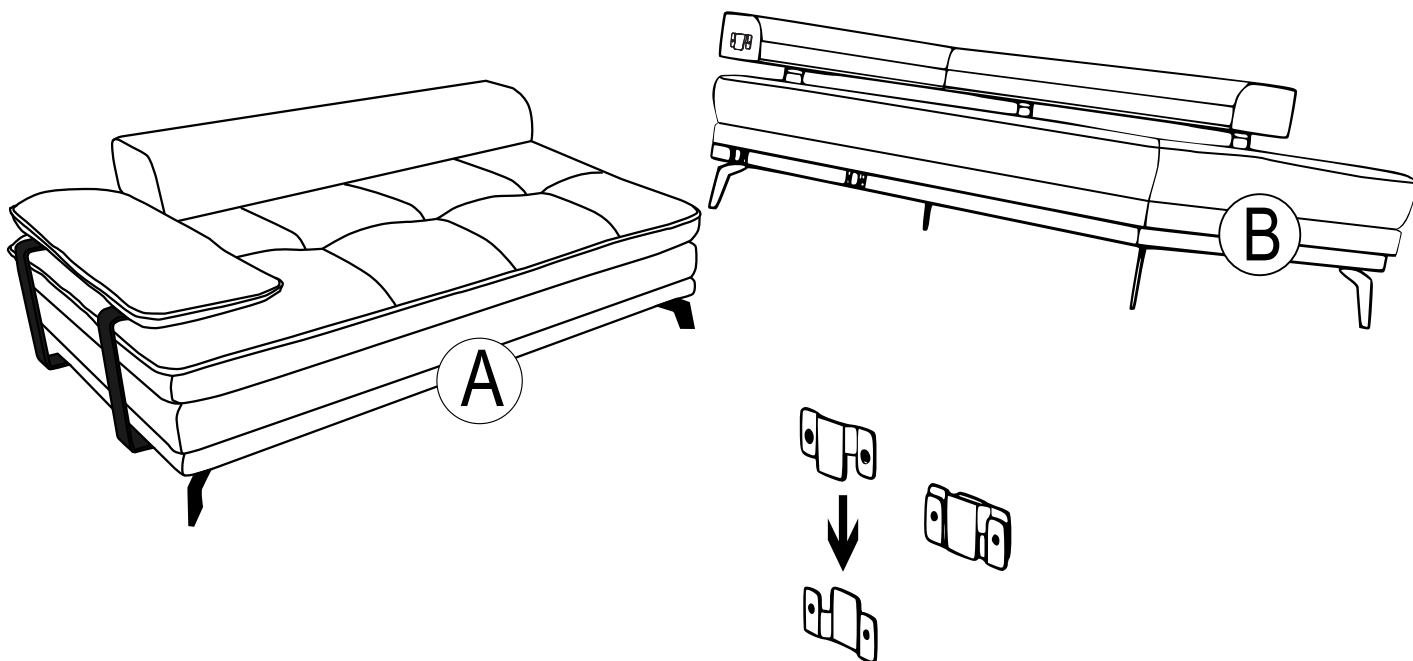
FLORENCE RELAX



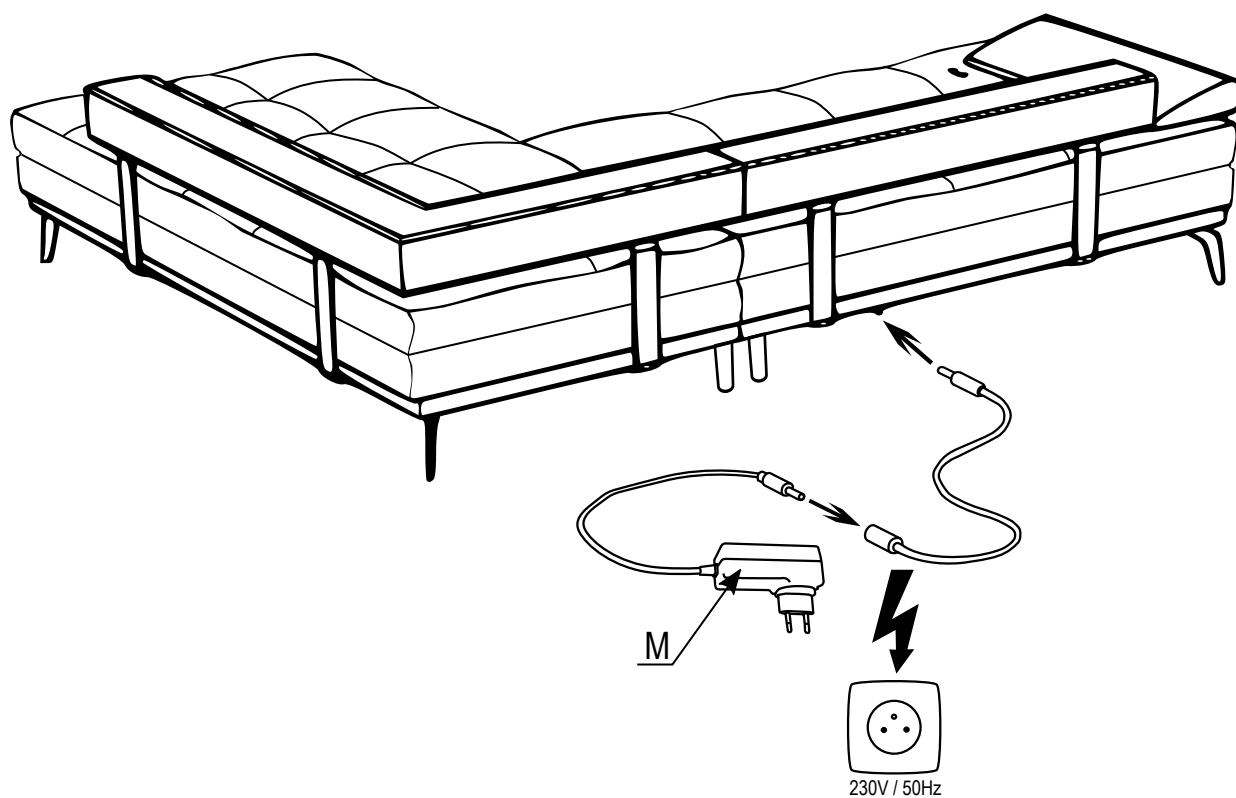
12



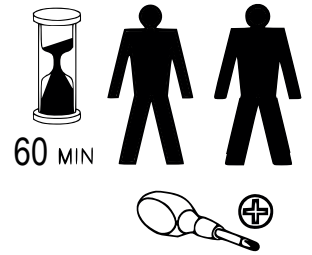
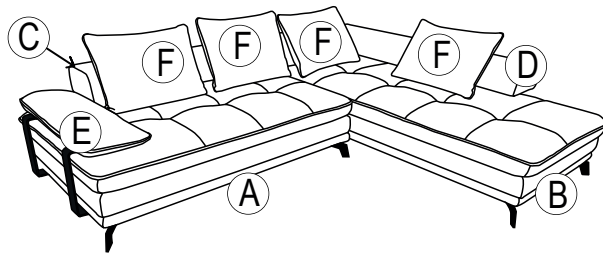
13



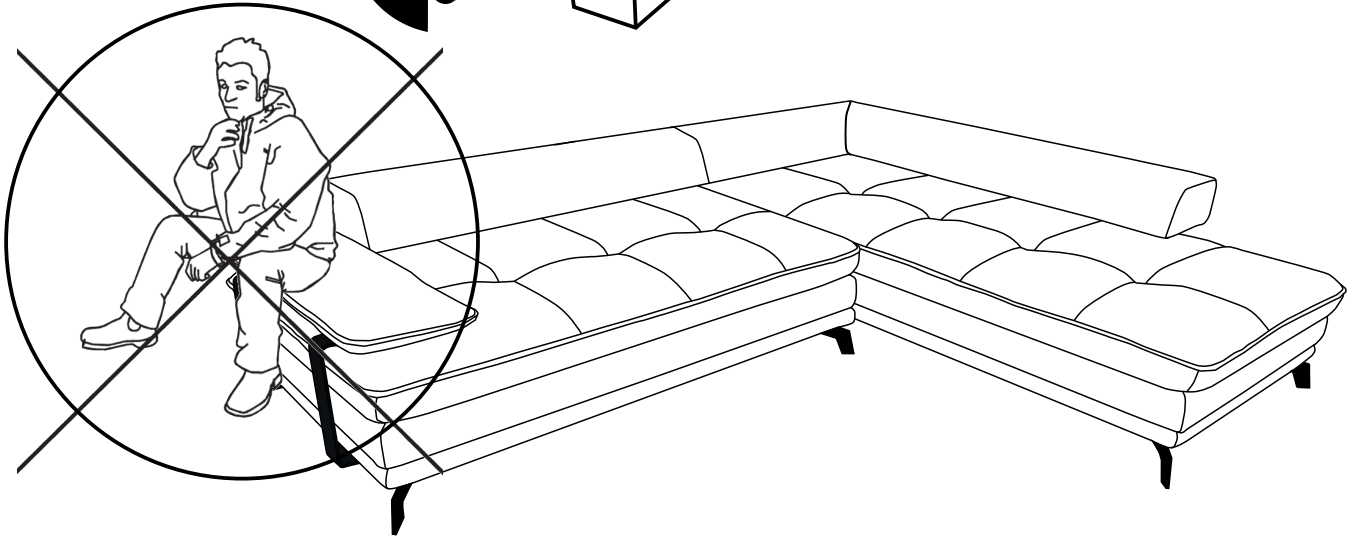
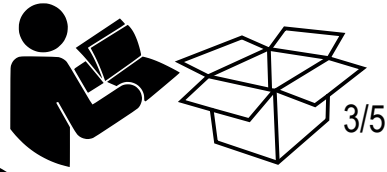
14



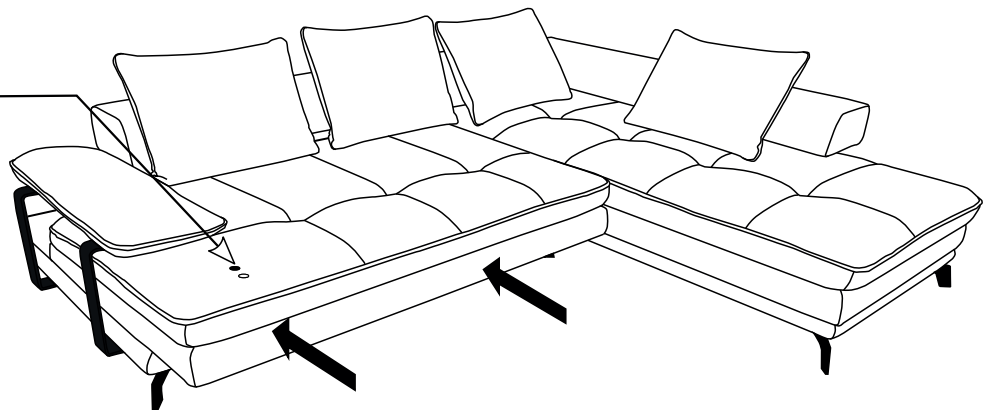
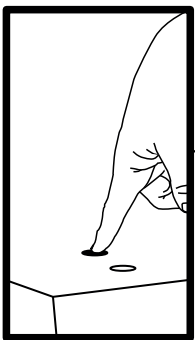
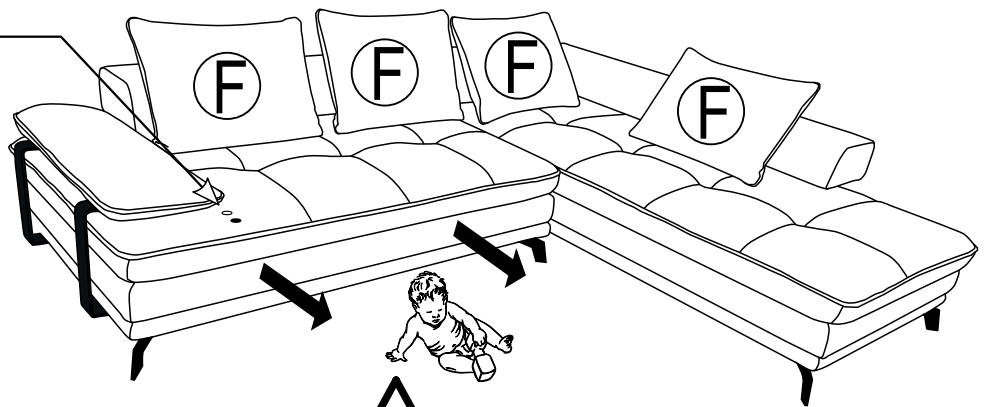
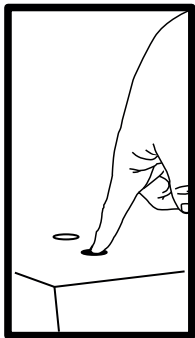
FLORENCE RELAX



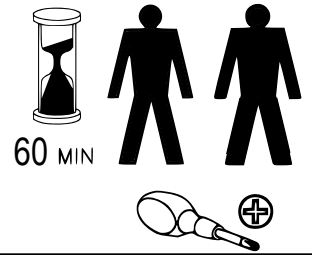
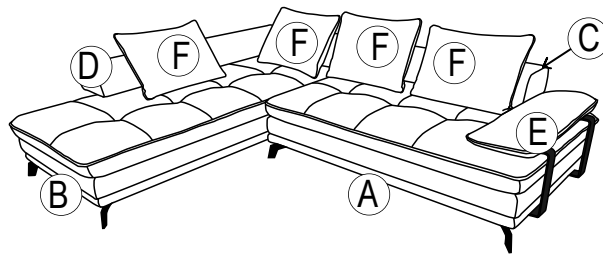
15



16



FLORENCE RELAX



A- 1st 	B- 1st 	C- 1st 	D- 1st 	E- 1st 	F- 4st
1/5	2/5	3/5			

G- 3st 	H- 2st 	I- 2st 	J- 12st 	K- 6st 	L- 12st 	M- 1st 	N- 1st 	O- 6st 	P- 1st
H=13cm	H=36cm 5mm	H=36cm 8mm	M8 x 40	M8 x 25	M6 x 40	AC/DC	5mm	M8 x 60	H=13cm
4/5									

G- 3st 	I- 3st 	J- 9st 	L- 12st 	N- 1st 	O- 9st 	P- 1st 	 3/5 4/5
H=13cm	H=36cm 8mm	M8 x 40	M6 x 40	5mm	M8 x 60	H=13cm	
5/5							

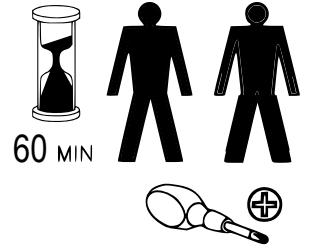
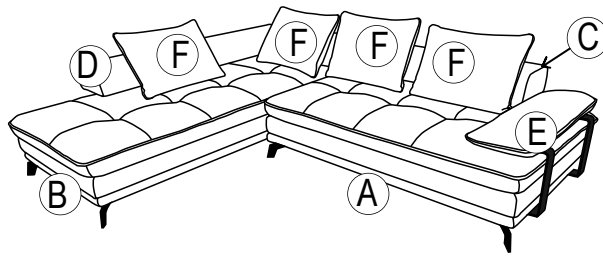
2

I		x2
	H=36 cm 8mm	
O		x6
	M8 x 60	
N		x1
	5 mm	

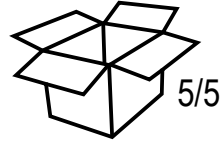
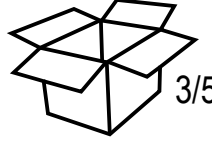
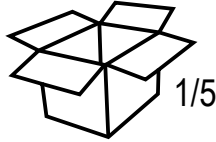
3

H		x2
	H=36 cm 5mm	
K		x6
	M8 x 25	
N		x1
	5 mm	

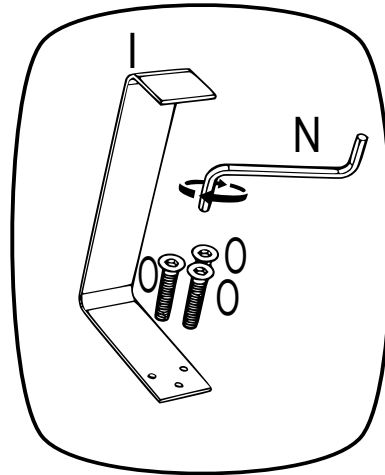
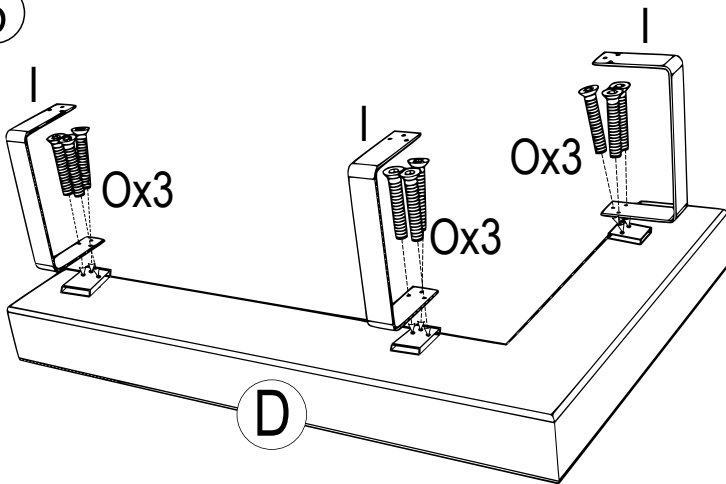
FLORENCE RELAX



4

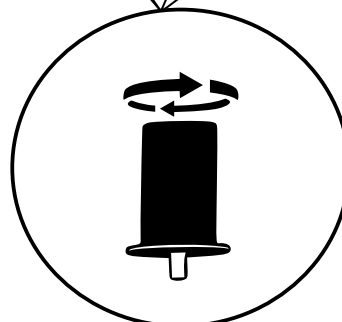
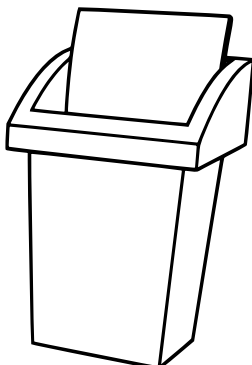
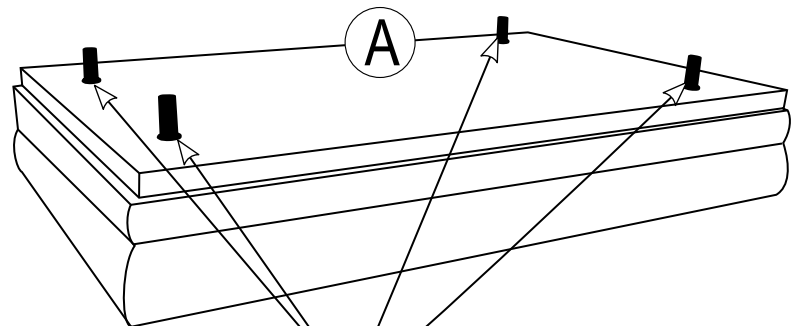
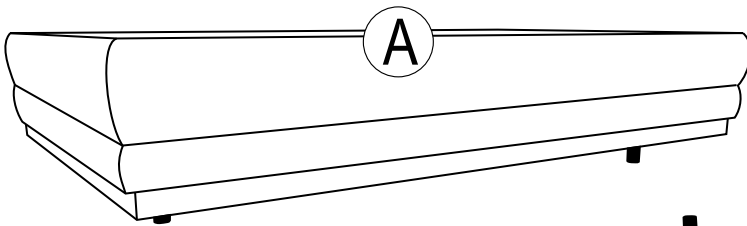


5

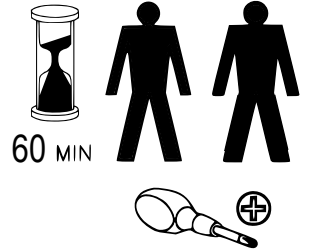
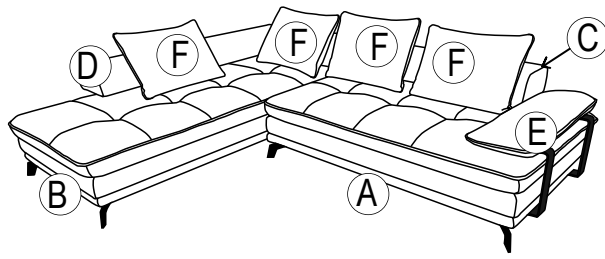


I		x3
	H=36 cm	
O		x9
	M8 x 60	
N		x1
	5 mm	

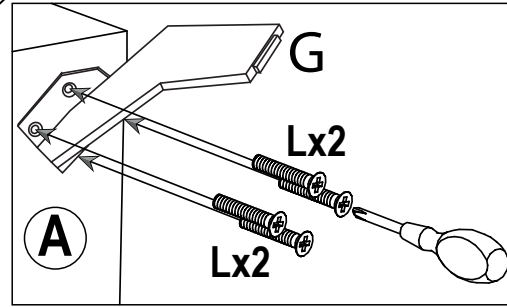
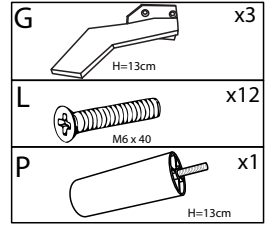
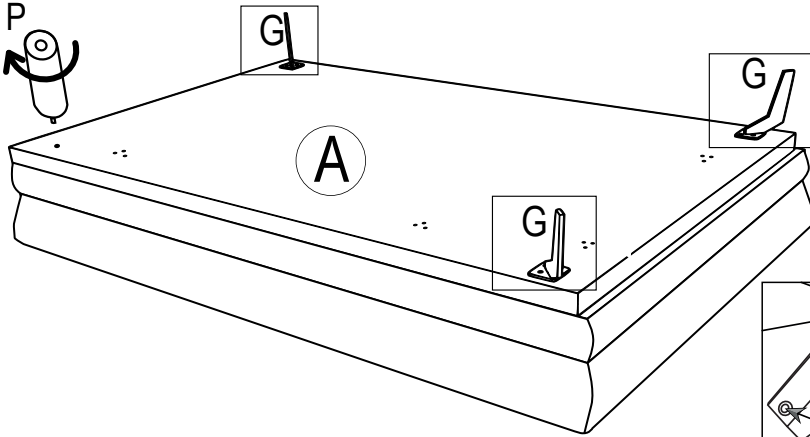
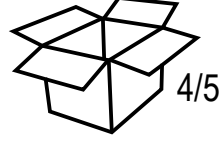
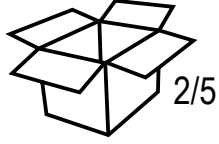
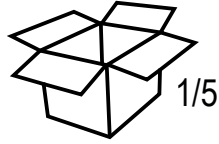
6



FLORENCE RELAX

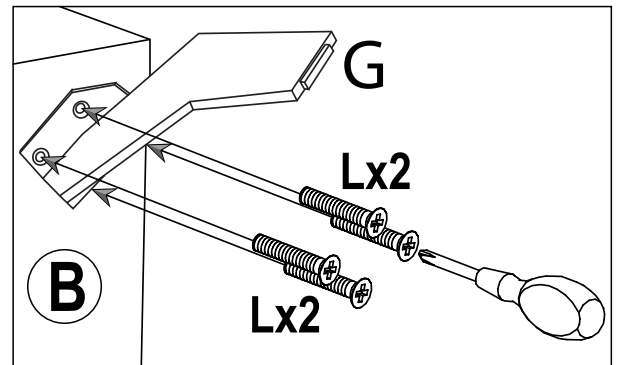
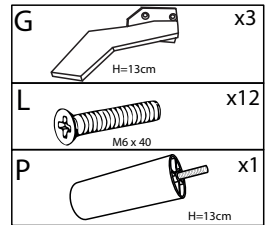
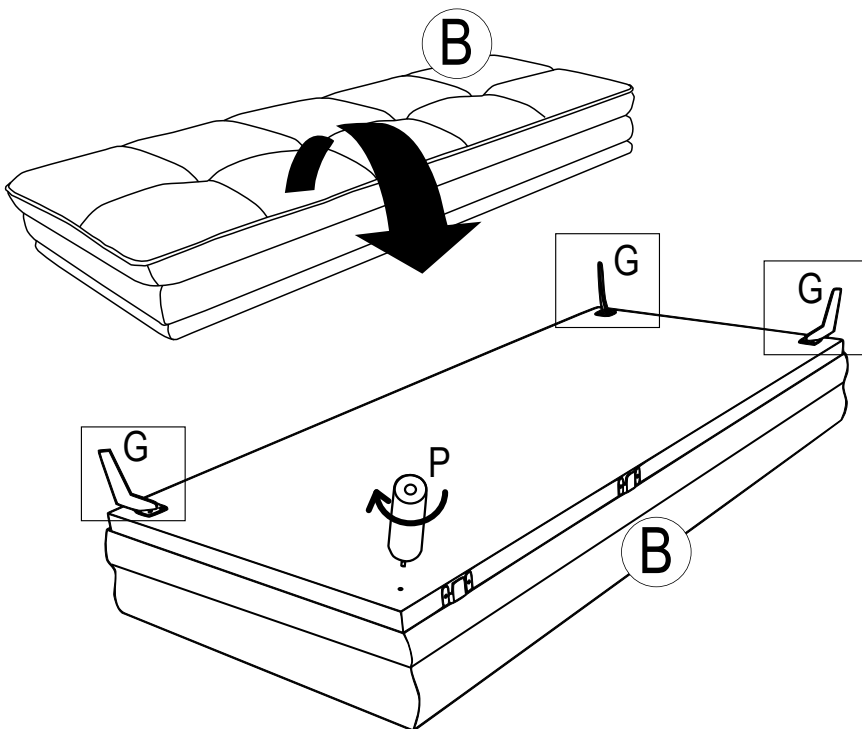


7

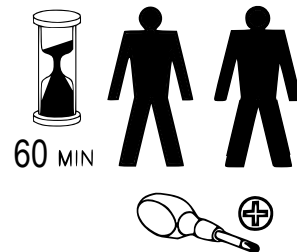
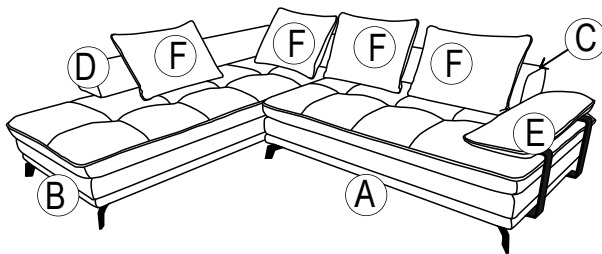


8

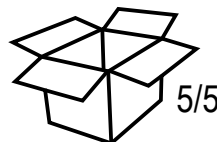
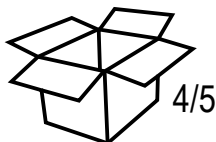
9



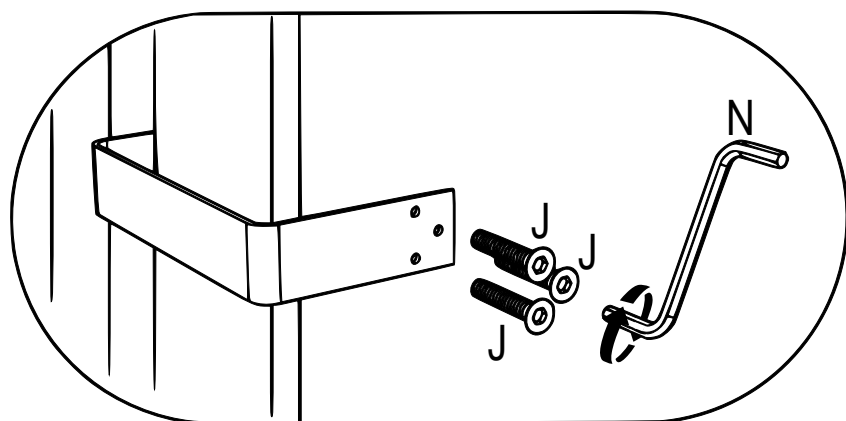
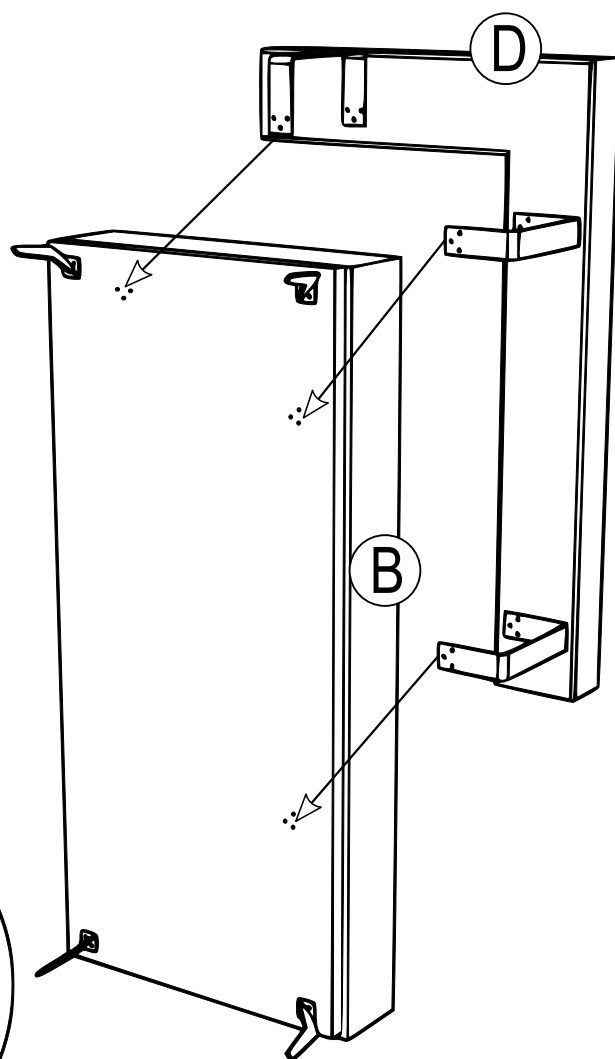
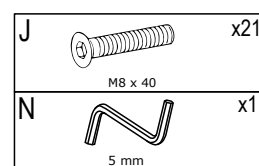
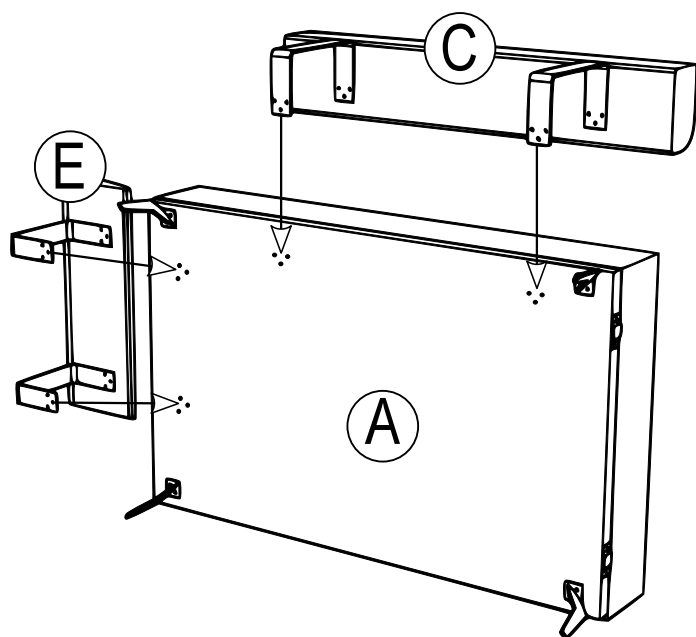
FLORENCE RELAX



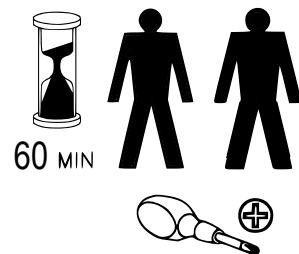
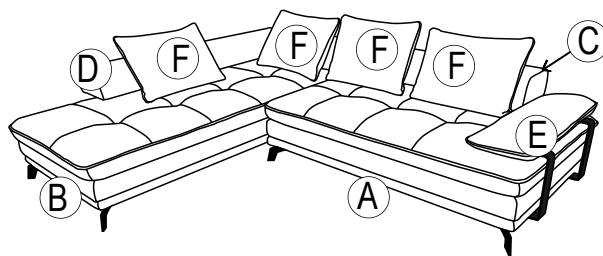
10



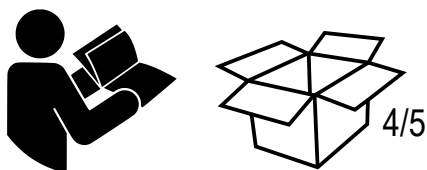
11



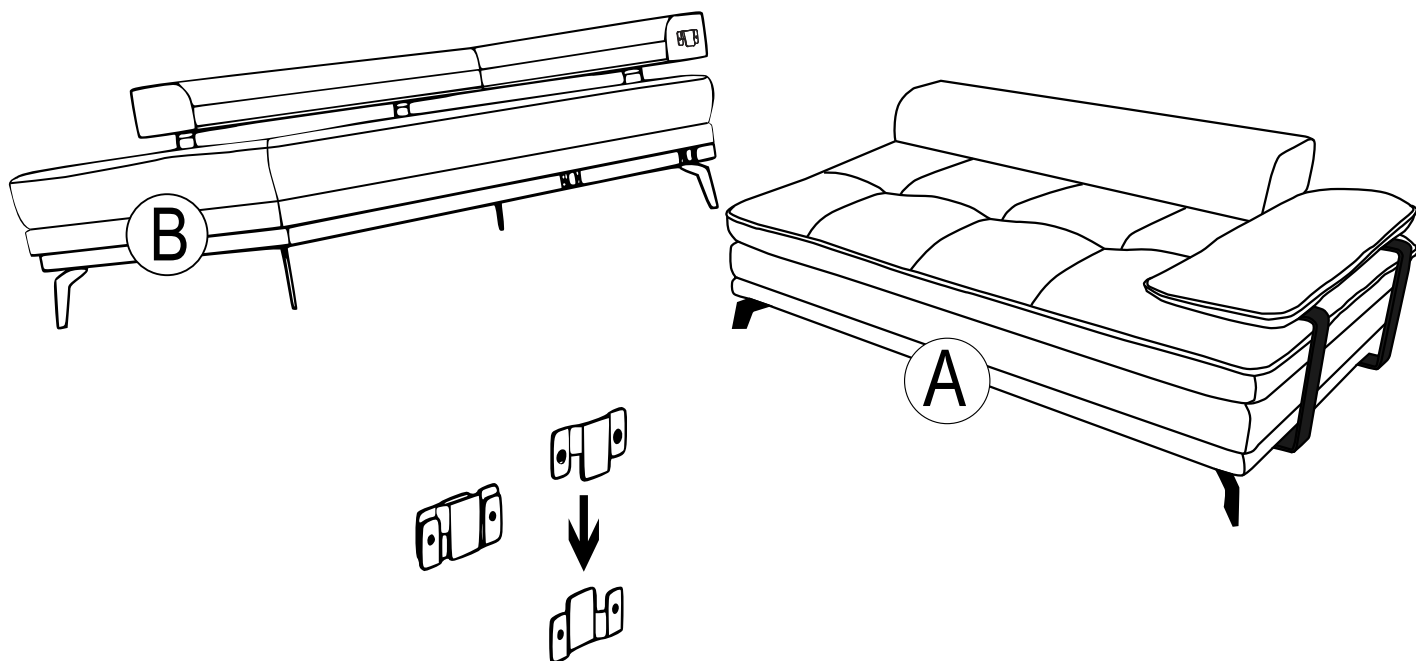
FLORENCE RELAX



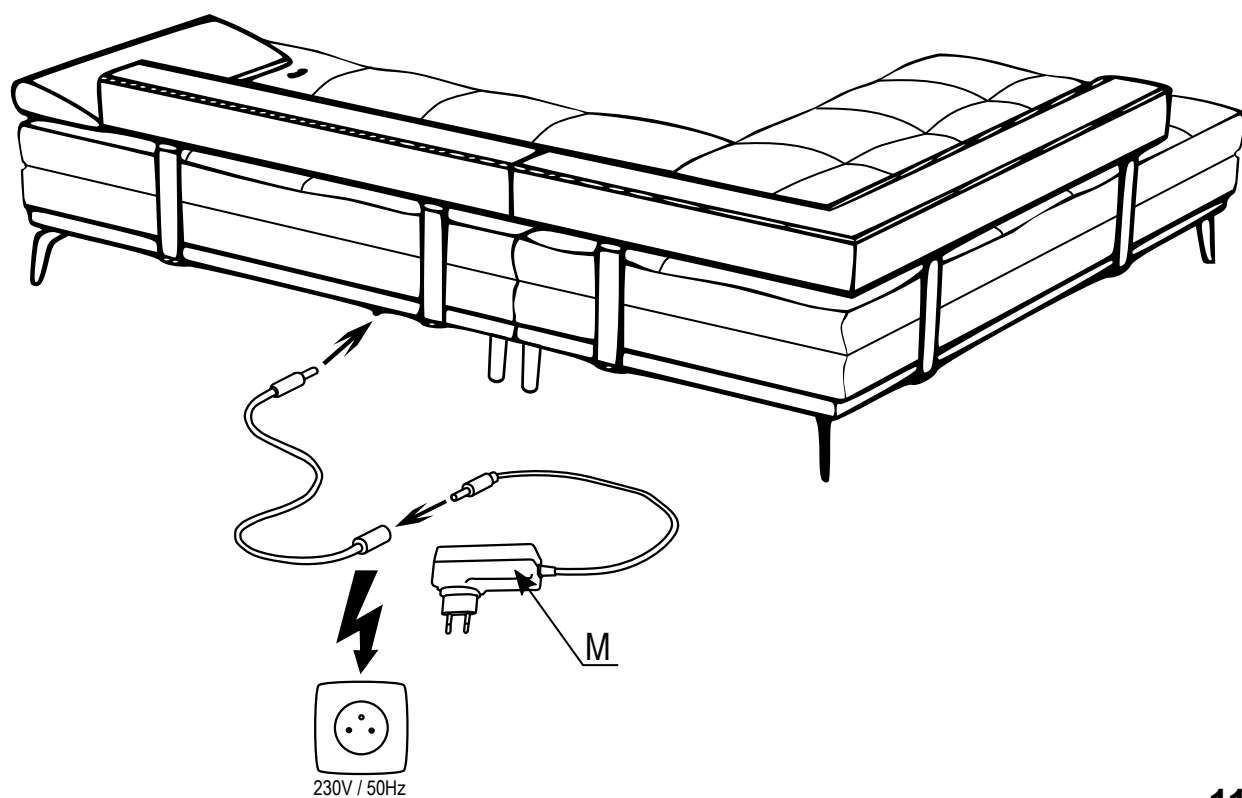
12



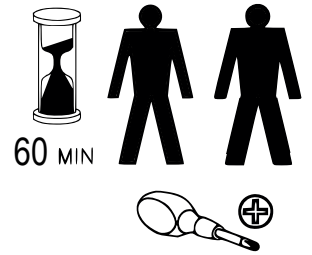
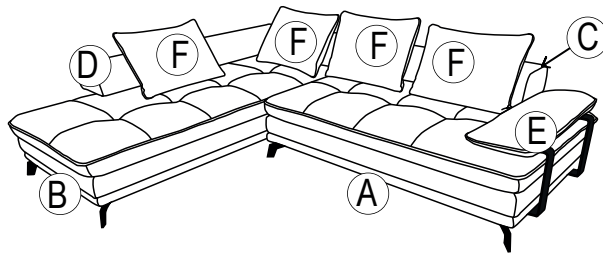
13



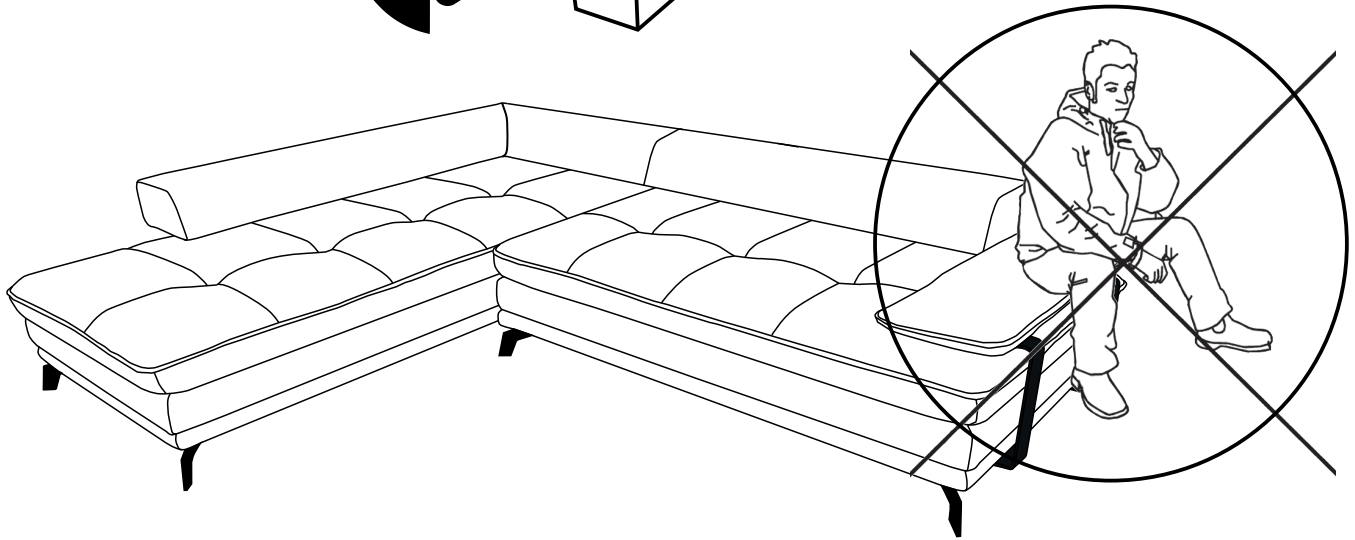
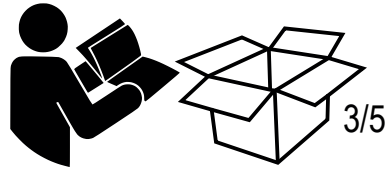
14



FLORENCE RELAX



15



16

