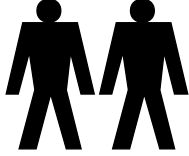


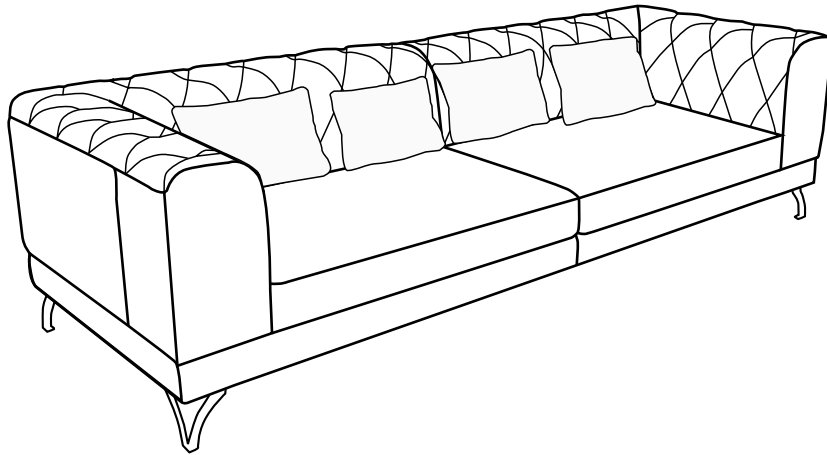
TOTTI



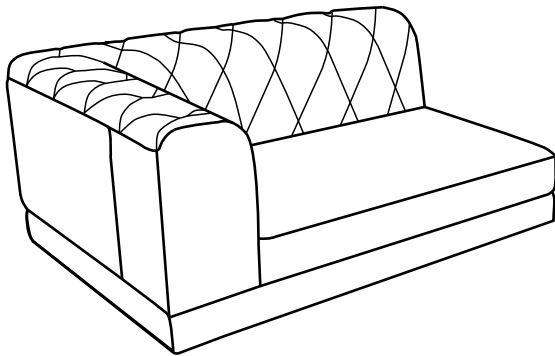
30min



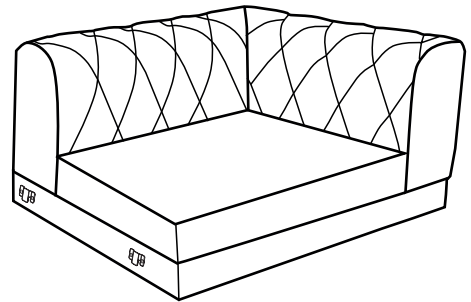
PH3



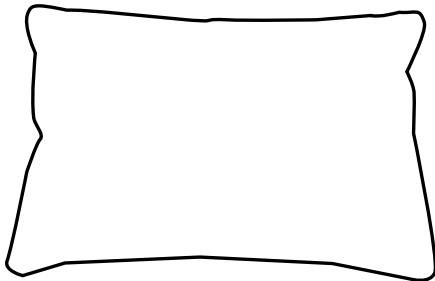
I



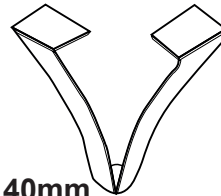
II



III

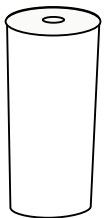


Ax4



H=140mm

Bx4



H=135mm

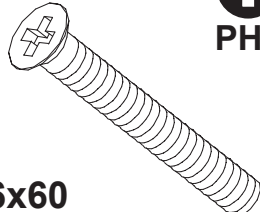
Cx8



PH3

6x30

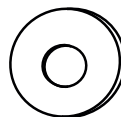
Dx4



PH3

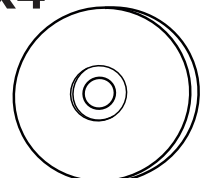
6x60

Ex8



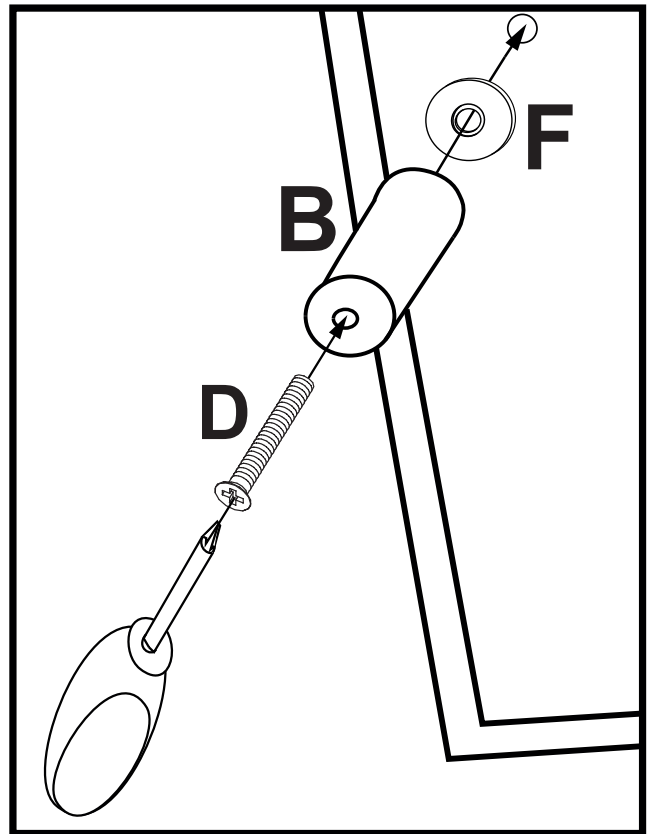
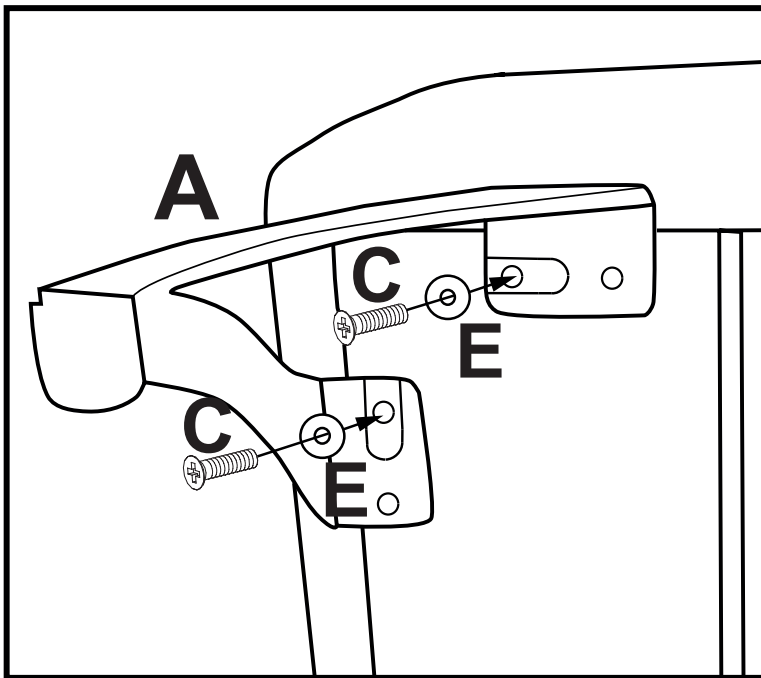
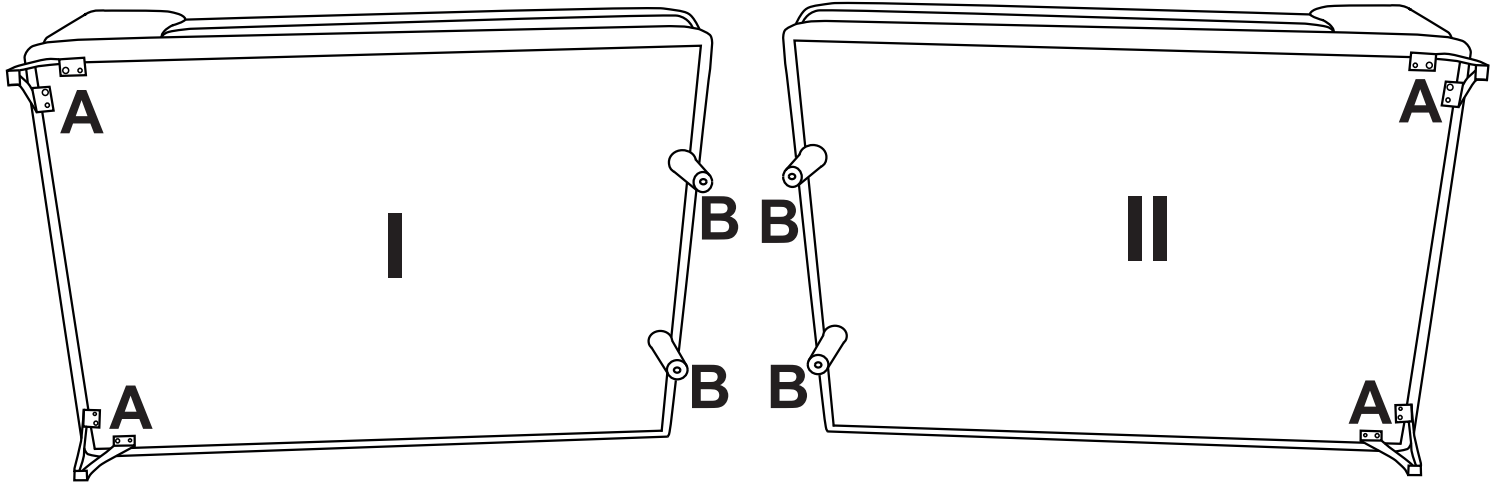
Ø6mm

Fx4

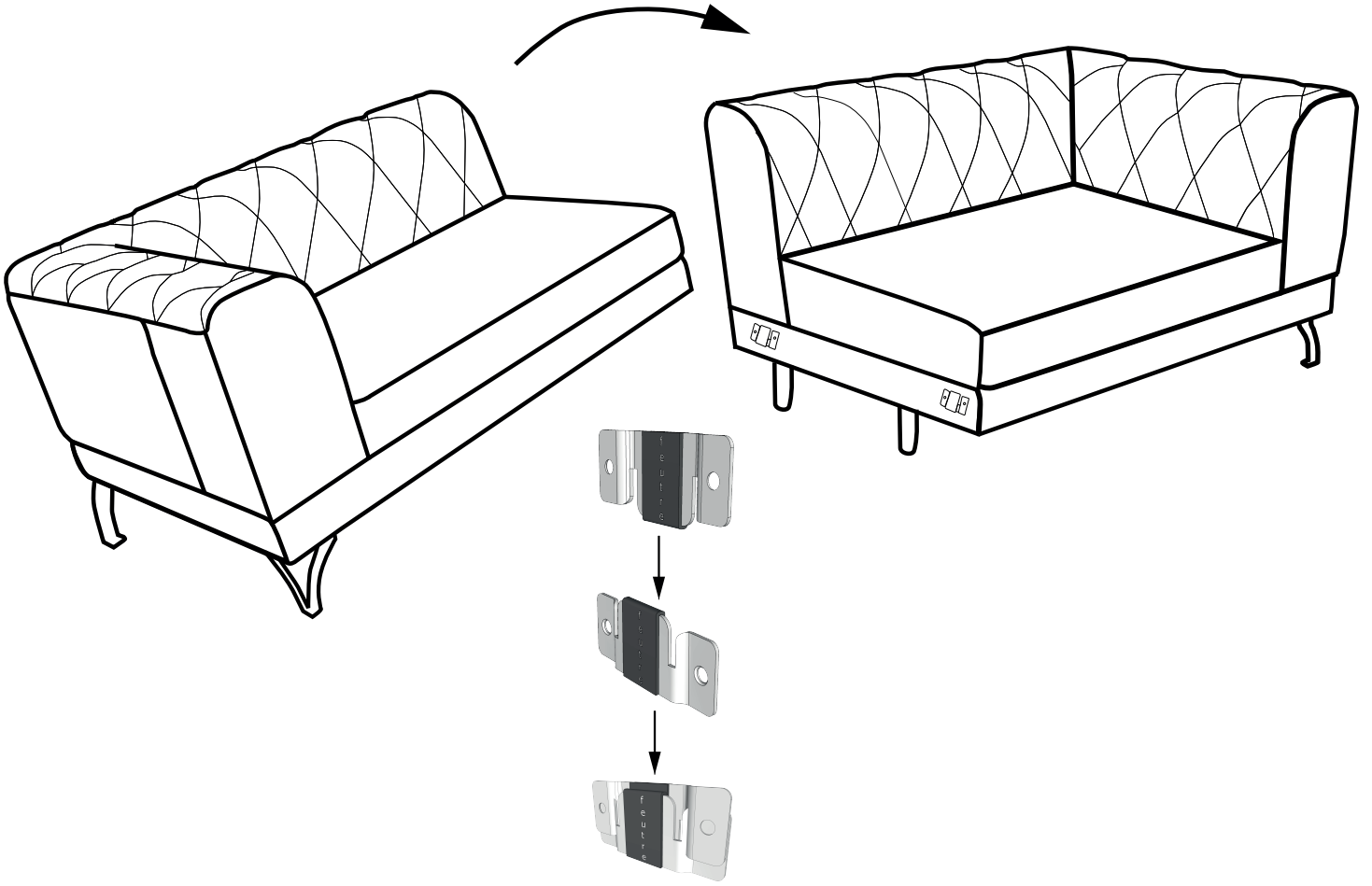


H=5 mm / Ø55 mm

1



2



3

