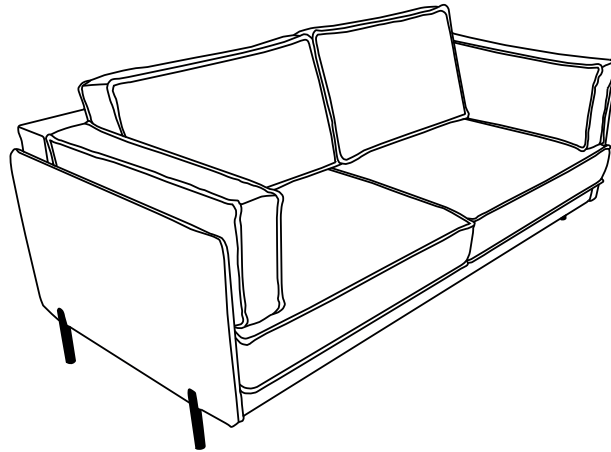
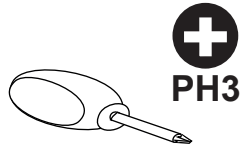
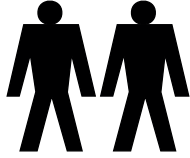
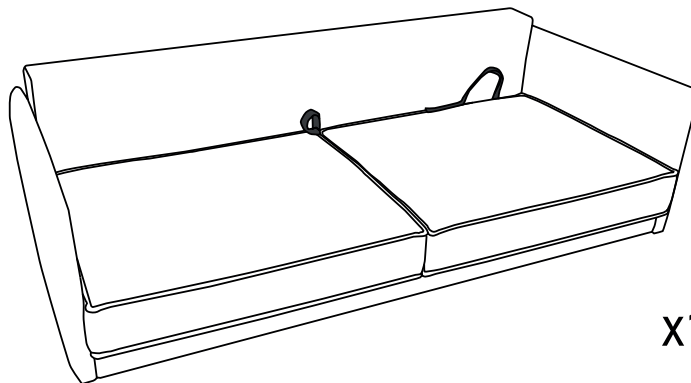


ADELE

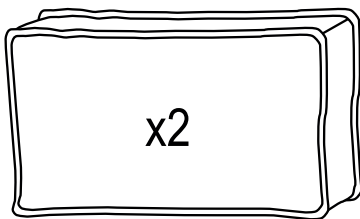


I



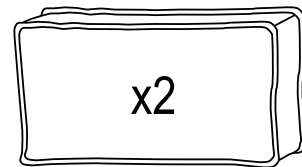
x1

II



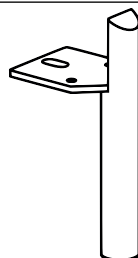
x2

III



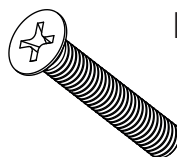
x2

Ax4



H= 140 mm

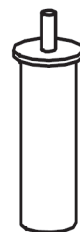
Bx8



6x35

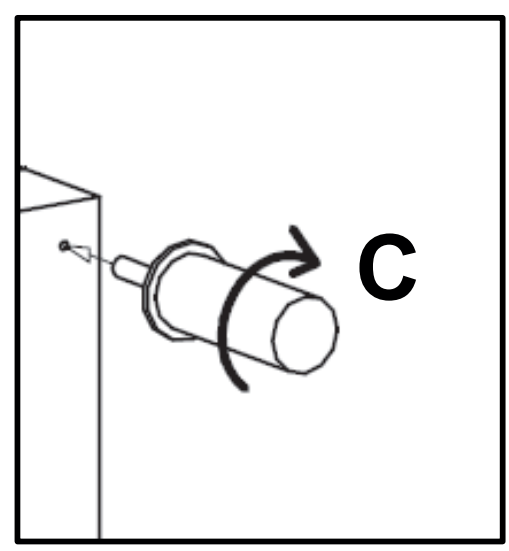
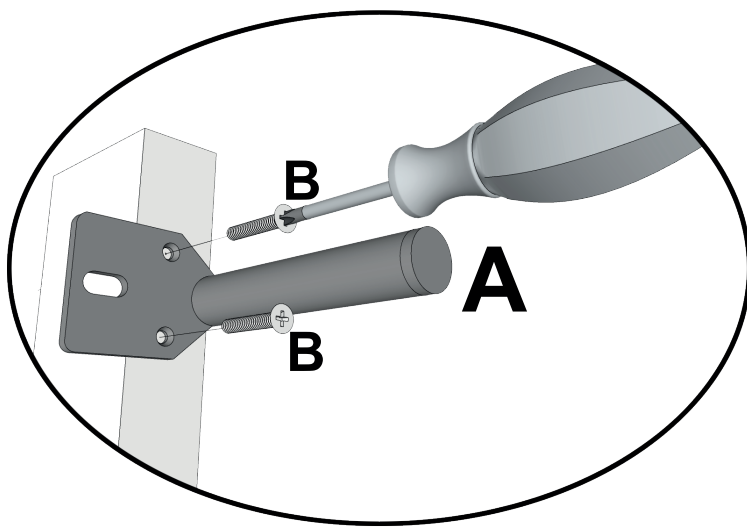
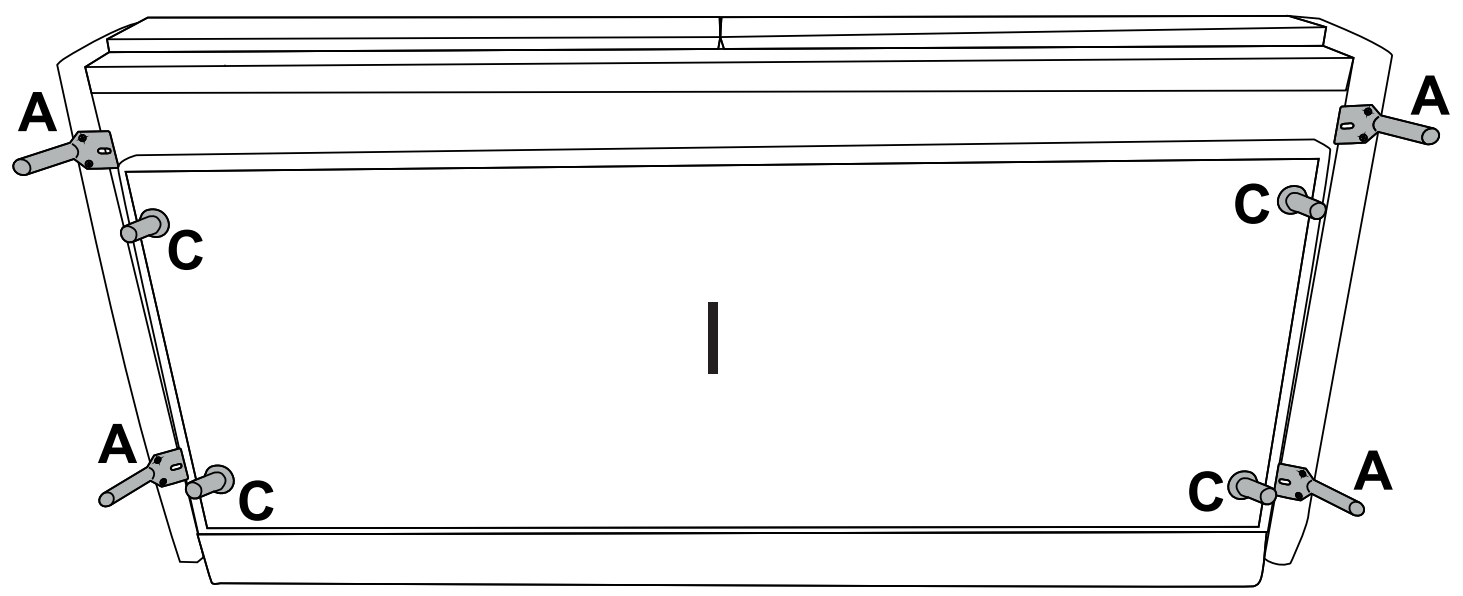
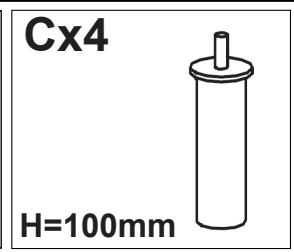
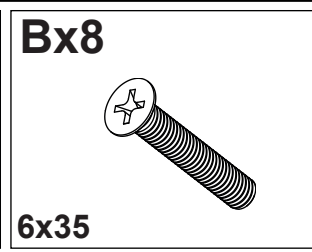
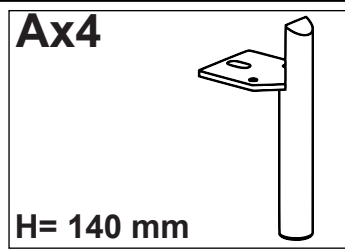


Cx4

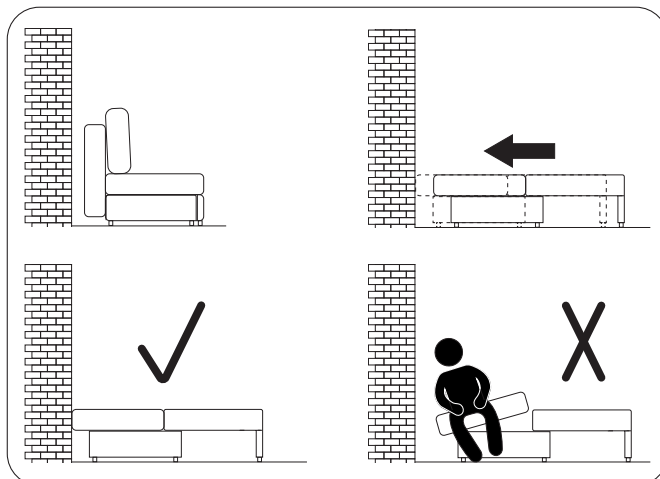
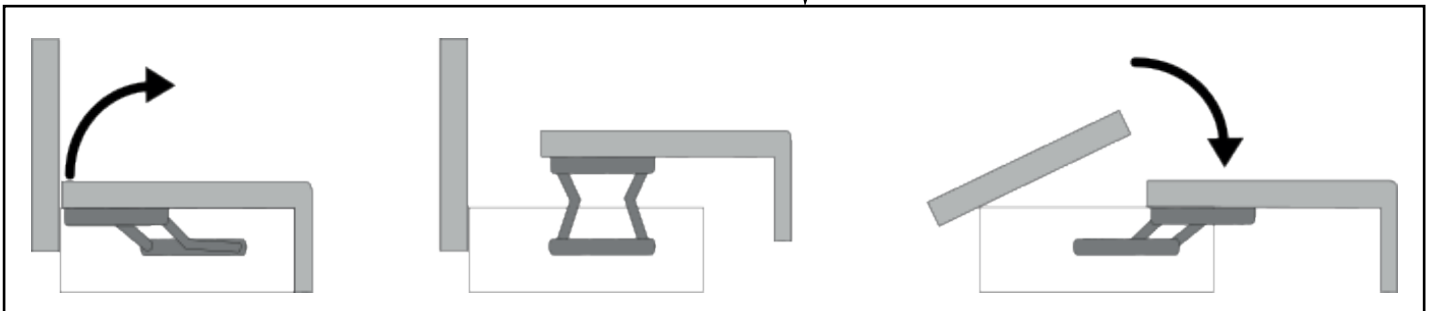
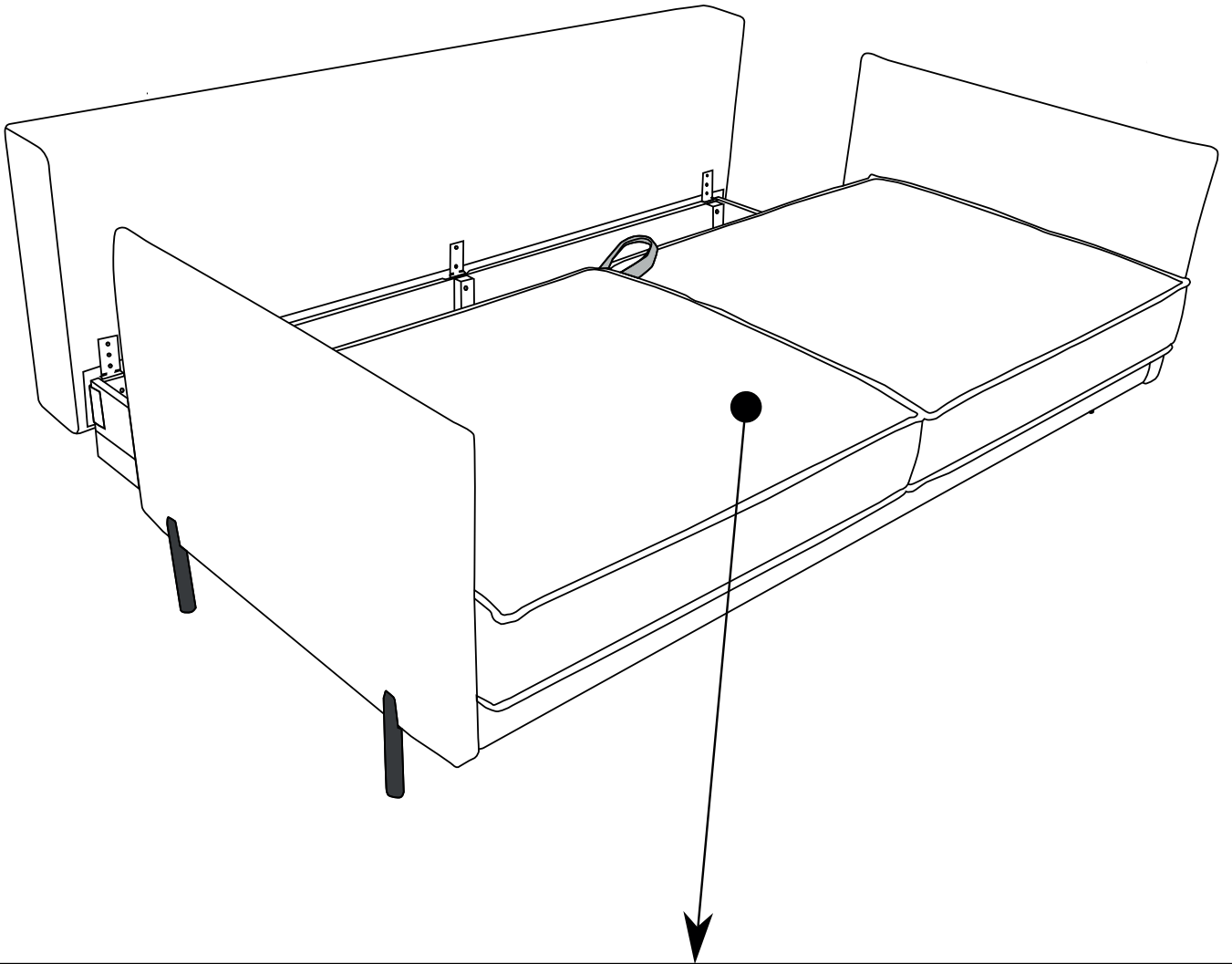


H=100mm

1



2



3

