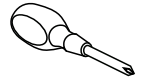
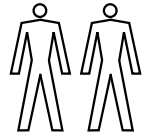
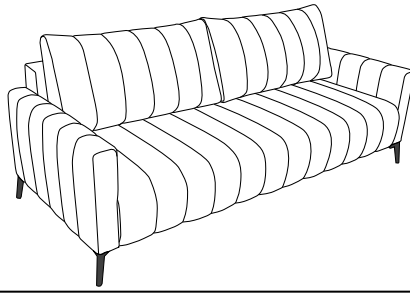
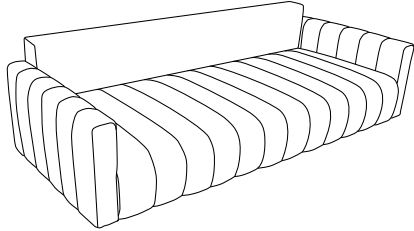


# MARION

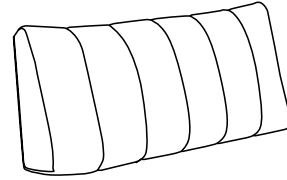


I

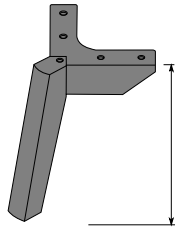


x1

II

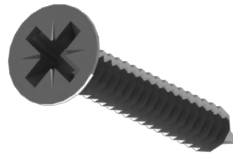


x2



H=150 mm

A x4



5x25 mm

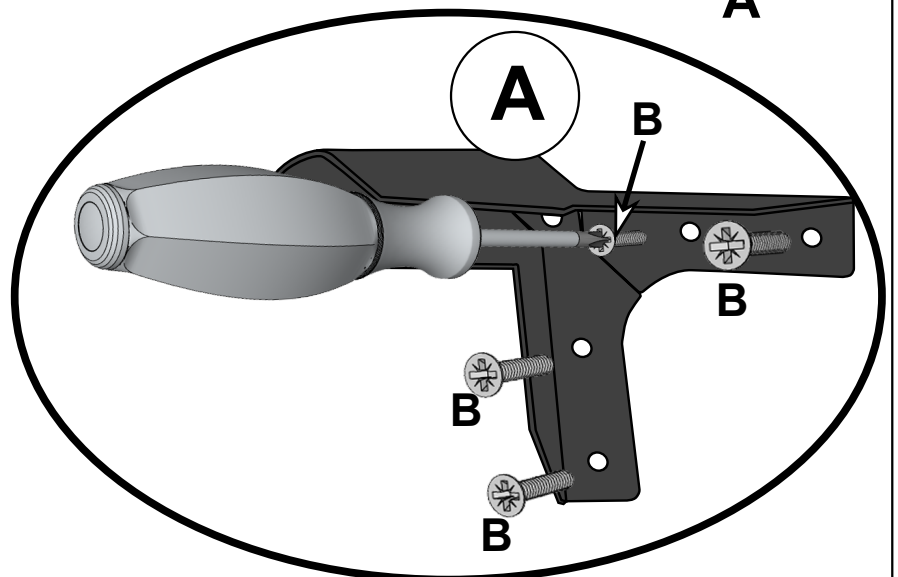
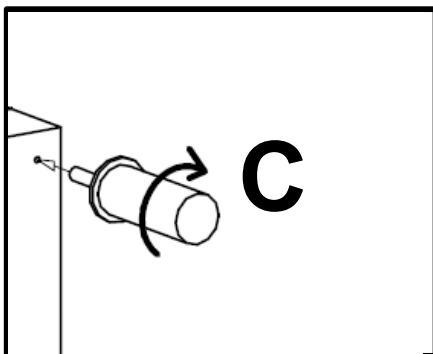
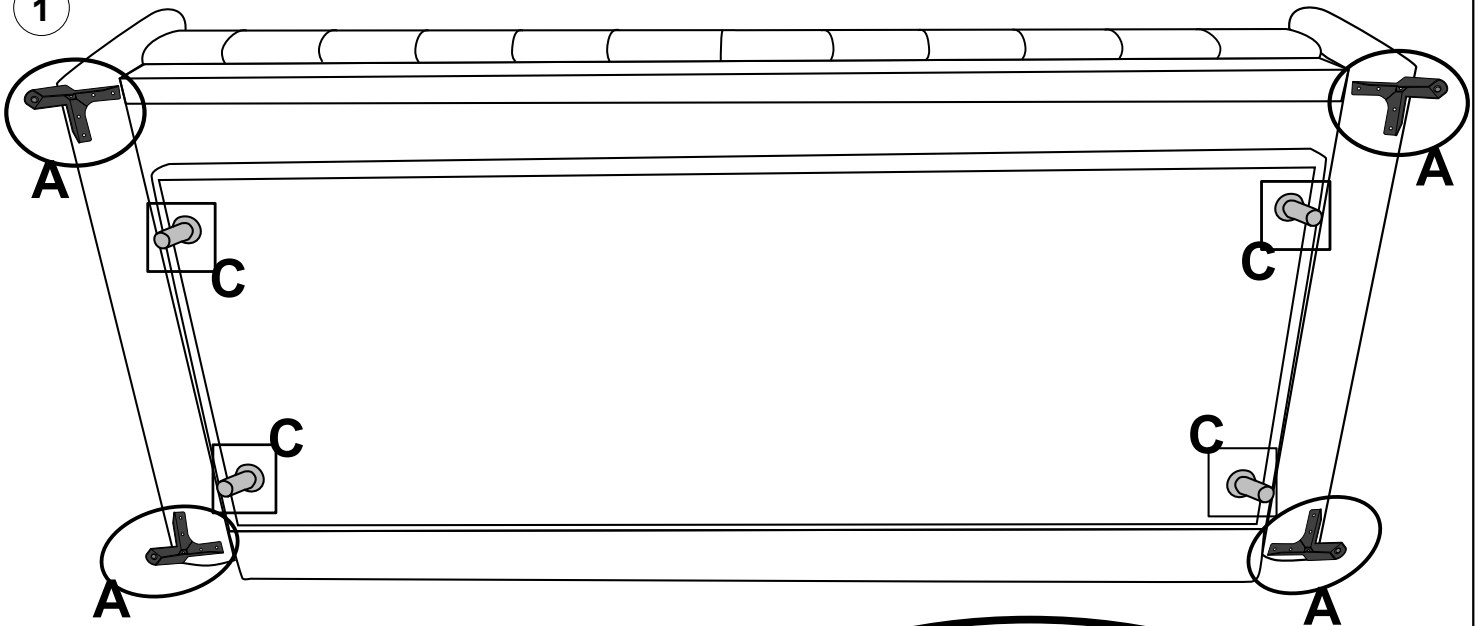
B x16



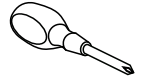
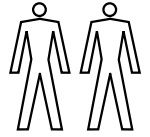
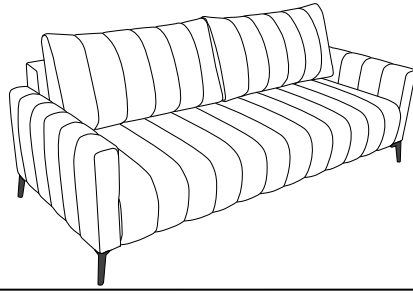
H=80 mm

C x4

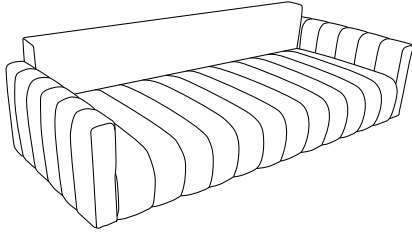
1



# MARION

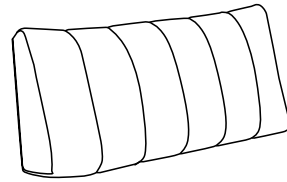


I



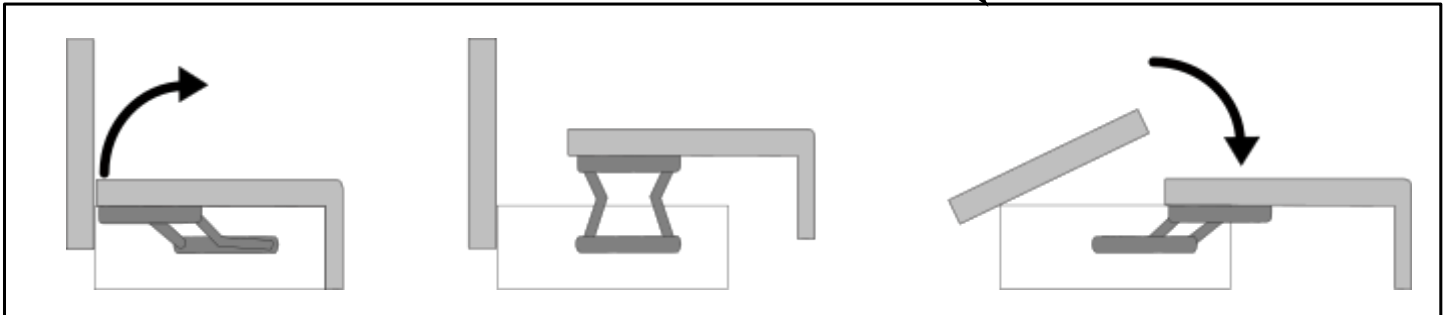
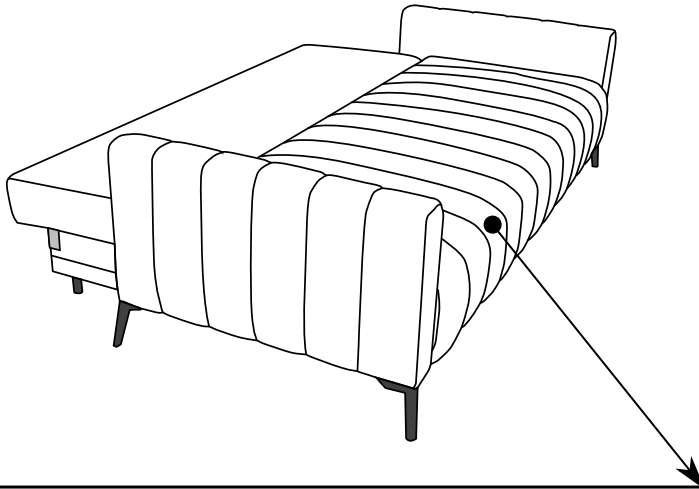
x1

II



x2

2



3

